

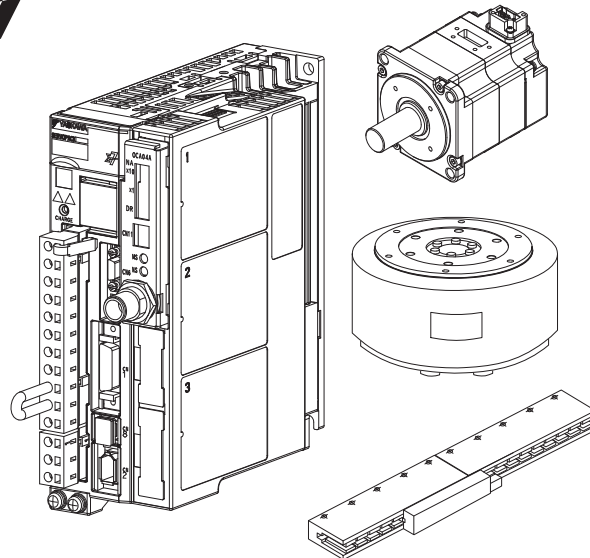
Σ -7-Series AC Servo Drive

Σ -7S SERVOPACK

Command Option Attachable Type with DeviceNet Module Product Manual

SERVOPACK Model: SGD7S

Option Module Model: SGDV-OCA04A, -OCA05A



Basic Information	1
Selecting a SERVOPACK	2
Installation	3
Wiring and Connections	4
Basic Functions That Require Setting before Operation	5
Application Functions	6
Trial Operation and Actual Operation	7
Tuning	8
Monitoring	9
Fully-Closed Loop Control	10
Safety Functions	11
DeviceNet Functions	12
DeviceNet Communications	13
Maintenance	14
Parameter Lists	15
Appendices	16

Copyright © 2014 YASKAWA ELECTRIC CORPORATION

All rights reserved. No part of this publication may be reproduced, stored in a retrieval system, or transmitted, in any form, or by any means, mechanical, electronic, photocopying, recording, or otherwise, without the prior written permission of Yaskawa. No patent liability is assumed with respect to the use of the information contained herein. Moreover, because Yaskawa is constantly striving to improve its high-quality products, the information contained in this manual is subject to change without notice. Every precaution has been taken in the preparation of this manual. Nevertheless, Yaskawa assumes no responsibility for errors or omissions. Neither is any liability assumed for damages resulting from the use of the information contained in this publication.

About this Manual

This manual provides information required to select Σ -7S Command Option Attachable-Type SERVOPACKs with DeviceNet Modules for Σ -7-Series AC Servo Drives, and to design, perform trial operation of, tune, operate, and maintain the Servo Drives.

Read and understand this manual to ensure correct usage of the Σ -7-Series AC Servo Drives.

Keep this manual in a safe place so that it can be referred to whenever necessary.

Outline of Manual

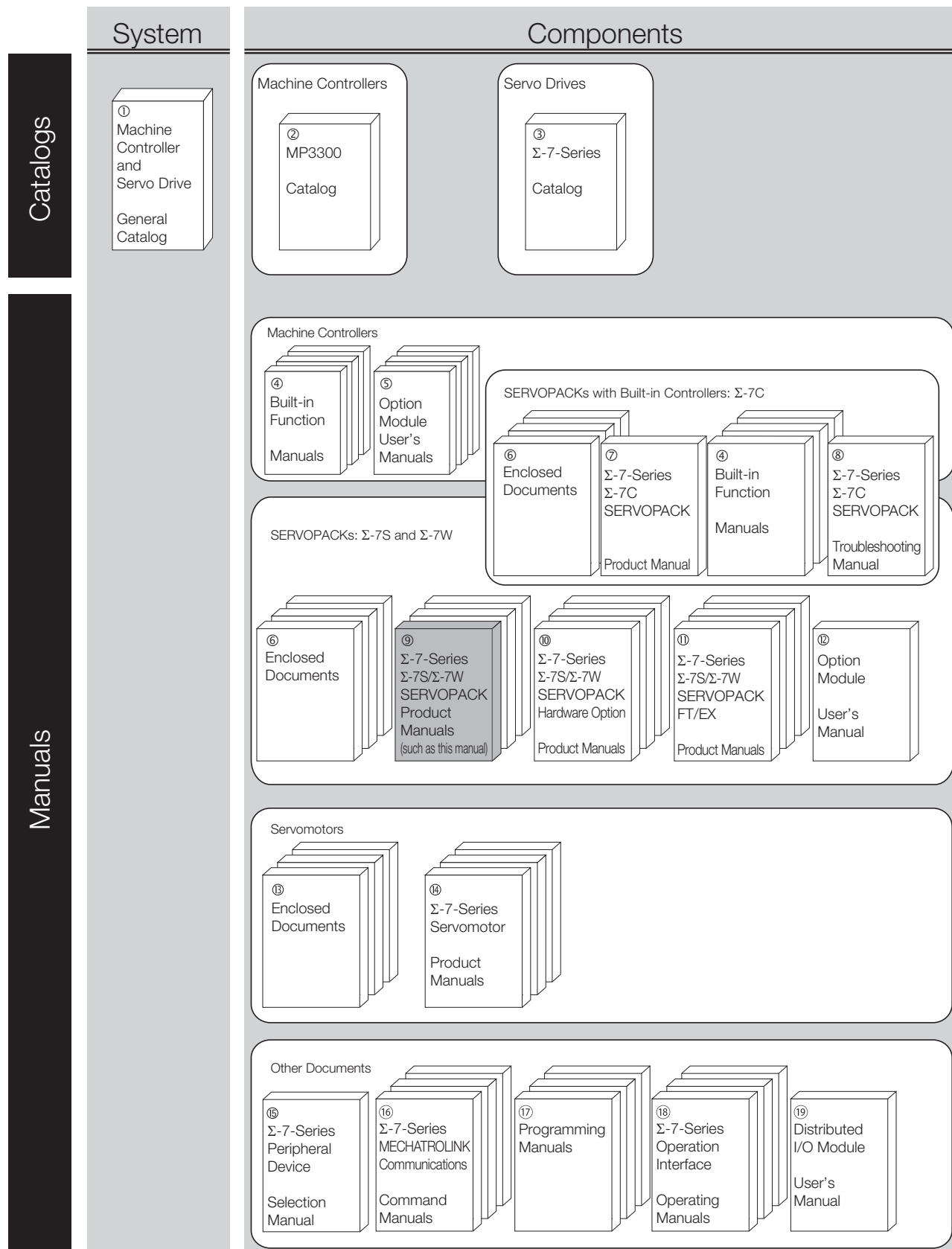
The contents of the chapters of this manual are described in the following table.

Refer to these chapters as required.

Chapter	Chapter Title	Contents
1	Basic Information	Provides basic information, including an introduction to the DeviceNet Modules, the names of parts, and combinations with Servomotors.
2	Selecting a SERVOPACK	Provides information required to select SERVOPACKs, such as specifications, block diagrams, dimensional drawings, and connection examples.
3	Installation	Provides information on installing SERVOPACKs and DeviceNet Modules in the required locations.
4	Wiring and Connections	Provides information on wiring and connecting SERVOPACKs and DeviceNet Modules to power supplies and peripheral devices.
5	Basic Functions That Require Setting before Operation	Describes the basic functions that must be set before you start servo system operation. It also describes the setting methods.
6	Application Functions	Describes the application functions that you can set before you start servo system operation. It also describes the setting methods.
7	Trial Operation and Actual Operation	Provides information on the flow and procedures for trial operation and convenient functions to use during trial operation.
8	Tuning	Provides information on the flow of tuning, details on tuning functions, and related operating procedures.
9	Monitoring	Provides information on monitoring SERVOPACK product information and SERVOPACK status.
10	Fully-Closed Loop Control	Provides detailed information on performing fully-closed loop control with the SERVOPACK.
11	Safety Functions	Provides detailed information on the safety functions of the SERVOPACK.
12	DeviceNet Functions	Provides details on settings required to use the DeviceNet functions.
13	DeviceNet Communications	Provides details on DeviceNet communications.
14	Maintenance	Provides information on the meaning of, causes of, and corrections for alarms and warnings.
15	Parameter Lists	Provides information on the parameters.
16	Appendices	Provides corresponding SERVOPACK and SigmaWin+ function names.

Related Documents

The relationships between the documents that are related to the Servo Drives are shown in the following figure. The numbers in the figure correspond to the numbers in the table on the following pages. Refer to these documents as required.



Classification	Document Name	Document No.	Description
① Machine Controller and Servo Drive General Catalog	Machine Controller and AC Servo Drive Solutions Catalog	KAEP S800001 22	Describes the features and application examples for combinations of MP3000-Series Machine Controllers and Σ -7-Series AC Servo Drives.
② MP3300 Catalog	Machine Controller MP3300	KAEP C880725 03	Provides detailed information on MP3300 Machine Controllers, including features and specifications.
③ Σ -7-Series Catalog	AC Servo Drives Σ -7 Series	KAEP S800001 23	Provides detailed information on Σ -7-Series AC Servo Drives, including features and specifications.
④ Built-in Function Manuals	Σ -7-Series AC Servo Drive Σ -7C SERVOPACK Motion Control User's Manual	SIEP S800002 03	Provides detailed information on the specifications, system configuration, and application methods of the Motion Control Function Modules (SVD, SVC4, and SVR4) for Σ -7-Series Σ -7C SERVOPACKs.
	Machine Controller MP3000 Series Communications User's Manual	SIEP C880725 12	Provides detailed information on the specifications, system configuration, and communications connection methods for the Ethernet communications that are used with MP3000-Series Machine Controllers and Σ -7-Series Σ -7C SERVOPACKs.
⑤ Option Module User's Manuals	Machine Controller MP2000 Series Communication Module User's Manual	SIEP C880700 04	Provide detailed information on the specifications and communications methods for the Communications Modules that can be mounted to MP3000-Series Machine Controllers and Σ -7-Series Σ -7C SERVOPACKs.
	Machine Controller MP2000 Series 262IF-01 FL-net Communication Module User's Manual	SIEP C880700 36	
	Machine Controller MP2000 Series 263IF-01 EtherNet/IP Communication Module User's Manual	SIEP C880700 39	
	Machine Controller MP2000 Series I/O Module User's Manual	SIEP C880700 34	Provide detailed information on the specifications and communications methods for the I/O Modules that can be mounted to MP3000-Series Machine Controllers and Σ -7-Series Σ -7C SERVOPACKs.
	Machine Controller MP2000 Series Analog Input/Analog Output Module AI-01/AO-01 User's Manual	SIEP C880700 26	
	Machine Controller MP2000 Series Counter Module CNTR-01 User's Manual	SIEP C880700 27	

Continued on next page.

Continued from previous page.

Classification	Document Name	Document No.	Description
⑥ Enclosed Documents	Σ-7-Series AC Servo Drive Σ-7S and Σ-7W SERVOPACK Safety Precautions	TOMP C710828 00	Provides detailed information for the safe usage of Σ-7-Series SERVOPACKs.
	Σ-V-Series/Σ-V-Series for Large-Capacity Models/ Σ-7-Series Safety Precautions Option Module	TOBP C720829 00	Provides detailed information for the safe usage of Option Modules.
	Σ-V-Series/Σ-V-Series for Large-Capacity Models/ Σ-7-Series Installation Guide Command Option Module	TOBP C720829 01	Provides detailed procedures for installing the Command Option Module in a SERVOPACK.
	Σ-V-Series/Σ-V-Series for Large-Capacity Models/ Σ-7-Series Installation Guide Fully-closed Module	TOBP C720829 03	Provides detailed procedures for installing the Fully-closed Module in a SERVOPACK.
	Σ-V-Series/Σ-V-Series for Large-Capacity Models/ Σ-7-Series Installation Guide Safety Module	TOBP C720829 06	Provides detailed procedures for installing the Safety Module in a SERVOPACK.
	Σ-V-Series/Σ-V-Series for Large-Capacity Models/ Σ-7-Series Installation Guide INDEXER Module	TOBP C720829 02	Provides detailed procedures for installing the INDEXER Module in a SERVOPACK.
	Σ-V-Series/Σ-V-Series for Large-Capacity Models/ Σ-7-Series Installation Guide DeviceNet Module	TOBP C720829 07	Provides detailed procedures for installing the DeviceNet Module in a SERVOPACK.
⑦ Σ-7-Series Σ-7C SERVOPACK Product Manual	Σ-7-Series AC Servo Drive Σ-7C SERVOPACK Product Manual	SIEP S800002 04	Provides detailed information on selecting Σ-7-Series Σ-7C SERVOPACKs; installing, connecting, setting, testing in trial operation, and tuning Servo Drives; writing, monitoring, and maintaining programs; and other information.
⑧ Σ-7-Series Σ-7C SERVOPACK Troubleshooting Manual	Σ-7-Series AC Servo Drive Σ-7C SERVOPACK Troubleshooting Manual	SIEP S800002 07	Provides detailed troubleshooting information for Σ-7-Series Σ-7C SERVOPACKs.

Continued on next page.

Continued from previous page.

Classification	Document Name	Document No.	Description
⑨ Σ-7-Series Σ-7S/Σ-7W SERVOPACK Product Manuals	Σ-7-Series AC Servo Drive Σ-7S SERVOPACK with MECHATROLINK-III Communications References Product Manual	SIEP S800001 28	Provide detailed information on selecting Σ-7-Series SERVO-PACKs and information on installing, connecting, setting, performing trial operation for, tuning, monitoring, and maintaining the Servo Drives.
	Σ-7-Series AC Servo Drive Σ-7S SERVOPACK with MECHATROLINK-II Communications References Product Manual	SIEP S800001 27	
	Σ-7-Series AC Servo Drive Σ-7S SERVOPACK with Analog Voltage/Pulse Train References Product Manual	SIEP S800001 26	
	Σ-7-Series AC Servo Drive Σ-7S SERVOPACK Command Option Attachable Type with INDEXER Module Product Manual	SIEP S800001 64	
	Σ-7-Series AC Servo Drive Σ-7S SERVOPACK Command Option Attachable Type with DeviceNet Module Product Manual	This manual (SIEP S800001 70)	
	Σ-7-Series AC Servo Drive Σ-7W SERVOPACK with MECHATROLINK-III Communications References Product Manual	SIEP S800001 29	
⑩ Σ-7-Series Σ-7S/Σ-7W SERVOPACK with Hardware Option Specifications Product Manuals	Σ-7-Series AC Servo Drive Σ-7S/Σ-7W SERVOPACK with Hardware Option Specifications Dynamic Brake Product Manual	SIEP S800001 73	Provide detailed information on Hardware Options for Σ-7-Series SERVOPACKs.
	Σ-7-Series AC Servo Drive Σ-7W/Σ-7C SERVOPACK with Hardware Option Specifications HWBB Function Product Manual	SIEP S800001 72	

Continued on next page.

Continued from previous page.

Classification	Document Name	Document No.	Description
⑩ Σ-7-Series Σ-7S/Σ-7W SERVO- PACK FT/EX Product Manuals	Σ-7-Series AC Servo Drive Σ-7S SERVOPACK with FT/EX Specification for Indexing Application Product Manual	SIEP S800001 84	Provide detailed information on the FT/EX Option for Σ-7-Series SERVOPACKs.
	Σ-7-Series AC Servo Drive Σ-7S SERVOPACK with FT/EX Specification for Tracking Application Product Manual	SIEP S800001 89	
	Σ-7-Series AC Servo Drive Σ-7S SERVOPACK with FT/EX Specification for Application with Special Motor, SGM7D Motor Product Manual	SIEP S800001 91	
	Σ-7-Series AC Servo Drive Σ-7S SERVOPACK with FT/EX Specification for Press and Injection Molding Product Manual	SIEP S800001 94	
	Σ-7-Series AC Servo Drive Σ-7S SERVOPACK with FT/EX Specification for Transfer and Alignment Application Product Manual	SIEP S800001 95	
	Σ-7-Series AC Servo Drive Σ-7S SERVOPACK with FT/EX Specification for Torque/Force Assistance for Conveyance Application Product Manual	SIEP S800002 09	
	Σ-7-Series AC Servo Drive Σ-7S SERVOPACK with FT/EX Specification for Cutting Application Feed Shaft Motor Product Manual	SIEP S800002 10	
⑪ Option Module User's Manual	AC Servo Drives Σ-V Series/Σ-V Series for Large-Capacity Models/ Σ-7 Series User's Manual Safety Module	SIEP C720829 06	Provides details information required for the design and mainte- nance of a Safety Module.
⑫ Enclosed Documents	AC Servo Drive Rotary Servomotor Safety Precautions	TOBP C230260 00	Provides detailed information for the safe usage of Rotary Servomo- tors and Direct Drive Servomotors.
	AC Servomotor Linear Σ Series Safety Precautions	TOBP C230800 00	Provides detailed information for the safe usage of Linear Servomo- tors.

Continued on next page.

Continued from previous page.

Classification	Document Name	Document No.	Description
⑭ Σ-7-Series Servomotor Product Manuals	Σ-7-Series AC Servo Drive Rotary Servomotor Product Manual	SIEP S800001 36	Provide detailed information on selecting, installing, and connecting the Σ-7-Series Servomotors.
	Σ-7-Series AC Servo Drive Linear Servomotor Product Manual	SIEP S800001 37	
	Σ-7-Series AC Servo Drive Direct Drive Servomotor Product Manual	SIEP S800001 38	
⑮ Σ-7-Series Peripheral Device Selection Manual	Σ-7-Series AC Servo Drive Peripheral Device Selection Manual	SIEP S800001 32	Describes the peripheral devices for a Σ-7-Series Servo System.
⑯ Σ-7-Series MECHATROLINK Communications Command Manuals	Σ-7-Series AC Servo Drive MECHATROLINK-II Communications Command Manual	SIEP S800001 30	Provides detailed information on the MECHATROLINK-II communications commands that are used for a Σ-7-Series Servo System.
	Σ-7-Series AC Servo Drive MECHATROLINK-III Communications Standard Servo Profile Command Manual	SIEP S800001 31	Provides detailed information on the MECHATROLINK-III communications standard servo profile commands that are used for a Σ-7-Series Servo System.
⑰ Programming Manuals	Machine Controller MP3000 Series Ladder Programming Manual	SIEP C880725 13	Provides detailed information on the ladder programming specifications and instructions for MP3000-Series Machine Controllers and Σ-7-Series Σ-7C SERVOPACKs.
	Machine Controller MP3000 Series Motion Programming Manual	SIEP C880725 14	Provides detailed information on the motion programming and sequence programming specifications and instructions for MP3000-Series Machine Controllers and Σ-7-Series Σ-7C SERVOPACKs.

Continued on next page.

Continued from previous page.

Classification	Document Name	Document No.	Description
¹⁸ Σ-7-Series Operation Interface Operating Manuals	Machine Controller MP2000/MP3000 Series Engineering Tool MPE720 Version 7 User's Manual	SIEP C880761 03	Describes in detail how to operate MPE720 version 7.
	Σ-7-Series AC Servo Drive Digital Operator Operating Manual	SIEP S800001 33	Describes the operating procedures for a Digital Operator for a Σ-7-Series Servo System.
	AC Servo Drive Engineering Tool SigmaWin+ Operation Manual	SIET S800001 34	Provides detailed operating procedures for the SigmaWin+ Engineering Tool for a Σ-7-Series Servo System.
¹⁹ Distributed I/O Module User's Manual	MECHATROLINK-III Compatible I/O Module User's Manual	SIEP C880781 04	Describes the functions, specifications, operating methods, and MECHATROLINK-III communications for the Remote I/O Modules for MP2000/MP3000-Series Machine Controllers.

Using This Manual

◆ Technical Terms Used in This Manual

The following terms are used in this manual.

Term	Meaning
Servomotor	A Σ -7-Series Rotary Servomotor, Direct Drive Servomotor, or Linear Servomotor.
Rotary Servomotor	A generic term used for a Σ -7-Series Rotary Servomotor (SGMMV, SGM7J, SGM7A, SGM7P, or SGM7G) or a Direct Drive Servomotor (SGM7E, SGM7F, SGMCV, or SGMCS). The descriptions will specify when Direct Drive Servomotors are excluded.
Linear Servomotor	A Σ -7-Series Linear Servomotor (SGLG, SGLF, or SGLT).
SERVOPACK	A Σ -7-Series Σ -7S Command Option Module Attachable-Type Servo Amplifier.
Servo Drive	The combination of a Servomotor and SERVOPACK.
Servo System	A servo control system that includes the combination of a Servo Drive with a host controller and peripheral devices.
servo ON	Supplying power to the motor.
servo OFF	Not supplying power to the motor.
base block (BB)	Shutting OFF the power supply to the motor by shutting OFF the base current to the power transistor in the SERVOPACK.
servo lock	A state in which the motor is stopped and is in a position loop with a position reference of 0.
Main Circuit Cable	One of the cables that connect to the main circuit terminals, including the Main Circuit Power Supply Cable, Control Power Supply Cable, and Servomotor Main Circuit Cable.
SigmaWin+	The Engineering Tool for setting up and tuning Servo Drives or a computer in which the Engineering Tool is installed.

◆ Differences in Terms for Rotary Servomotors and Linear Servomotors

There are differences in the terms that are used for Rotary Servomotors and Linear Servomotors. This manual primarily describes Rotary Servomotors. If you are using a Linear Servomotor, you need to interpret the terms as given in the following table.

Rotary Servomotors	Linear Servomotors
torque	force
moment of inertia	mass
rotation	movement
forward rotation and reverse rotation	forward movement and reverse movement
CW and CCW pulse trains	forward and reverse pulse trains
rotary encoder	linear encoder
absolute rotary encoder	absolute linear encoder
incremental rotary encoder	incremental linear encoder
unit: min^{-1}	unit: mm/s
unit: N·m	unit: N

◆ Notation Used in this Manual

■ Notation for Reverse Signals

The names of reverse signals (i.e., ones that are valid when low) are written with a forward slash (/) before the signal abbreviation.

Notation Example

\overline{BK} is written as /BK.

■ Notation for Parameters

The notation depends on whether the parameter requires a numeric setting (parameter for numeric setting) or requires the selection of a function (parameter for selecting functions).

• Parameters for Numeric Settings

Pn100	Speed Loop Gain				
	Setting Range	Setting Unit	Default Setting	When Enabled	Classification
	10 to 20,000	0.1 Hz	400	Immediately	Tuning

Parameter number

This is the setting range for the parameter.

This is the minimum unit (setting increment) that you can set for the parameter.

This is the parameter setting before shipment.


This is when any change made to the parameter will become effective.

This is the parameter classification.

• Parameters for Selecting Functions

Parameter	Meaning	When Enabled	Classification
Pn002	n.□0□□ (default setting)	After startup	Setup
	n.□1□□		
	n.□2□□		

Parameter number

The notation "n.□□□□" indicates a parameter for selecting functions. Each □ indicates the setting for one digit. The notation shown here means that the third digit from the right is set to 2. The following format is used to show the individual bits of a parameter setting: b.□□□□ □□□□ □□□□ □□□□. The individual bits of a parameter setting have specific meanings, but you cannot set the bits individually. The individual bits must be converted to a hexadecimal value to set a parameter. Refer to the following section for details on settings.
 15.1.2 List of Parameters (page 15-3)

This column explains the selections for the function.

Notation Example

Notation Examples for Pn002

n . 0 0 0 0	Digit Notation		Numeric Value Notation	
	Notation	Meaning	Notation	Meaning
→	Pn002 = n.□□□X	Indicates the first digit from the right in Pn002.	Pn002 = n.□□□1	Indicates that the first digit from the right in Pn002 is set to 1.
→	Pn002 = n.□□X□	Indicates the second digit from the right in Pn002.	Pn002 = n.□□1□	Indicates that the second digit from the right in Pn002 is set to 1.
→	Pn002 = n.□X□□	Indicates the third digit from the right in Pn002.	Pn002 = n.□1□□	Indicates that the third digit from the right in Pn002 is set to 1.
→	Pn002 = n.X□□□	Indicates the fourth digit from the right in Pn002.	Pn002 = n.1□□□	Indicates that the fourth digit from the right in Pn002 is set to 1.

◆ Engineering Tools Used in This Manual

This manual uses the interfaces of the SigmaWin+ for descriptions.

◆ Trademarks

- QR code is a trademark of Denso Wave Inc.
- DeviceNet is a trademark of the ODVA (Open DeviceNet Vendor Association, Inc.).
- Other product names and company names are the trademarks or registered trademarks of the respective company. “TM” and the ® mark do not appear with product or company names in this manual.

◆ Visual Aids

The following aids are used to indicate certain types of information for easier reference.



Indicates precautions or restrictions that must be observed.
Also indicates alarm displays and other precautions that will not result in machine damage.



Indicates definitions of difficult terms or terms that have not been previously explained in this manual.

Example Indicates operating or setting examples.

Information Indicates supplemental information to deepen understanding or useful information.

Safety Precautions

◆ Safety Information

To prevent personal injury and equipment damage in advance, the following signal words are used to indicate safety precautions in this document. The signal words are used to classify the hazards and the degree of damage or injury that may occur if a product is used incorrectly. Information marked as shown below is important for safety. Always read this information and heed the precautions that are provided.

DANGER

- Indicates precautions that, if not heeded, are likely to result in loss of life, serious injury, or fire.

WARNING

- Indicates precautions that, if not heeded, could result in loss of life, serious injury, or fire.

CAUTION

- Indicates precautions that, if not heeded, could result in relatively serious or minor injury, or in fire.

NOTICE

- Indicates precautions that, if not heeded, could result in property damage.

◆ Safety Precautions That Must Always Be Observed

■ General Precautions



DANGER

- Read and understand this manual to ensure the safe usage of the product.
- Keep this manual in a safe, convenient place so that it can be referred to whenever necessary. Make sure that it is delivered to the final user of the product.
- Do not remove covers, cables, connectors, or optional devices while power is being supplied to the SERVOPACK.
There is a risk of electric shock, operational failure of the product, or burning.



WARNING

- Use a power supply with specifications (number of phases, voltage, frequency, and AC/DC type) that are appropriate for the product.
There is a risk of burning, electric shock, or fire.
- Connect the ground terminals on the SERVOPACK and Servomotor to ground poles according to local electrical codes (100 Ω or less for a SERVOPACK with a 100-VAC or 200-VAC power supply, and 10 Ω or less for a SERVOPACK with a 400-VAC power supply).
There is a risk of electric shock or fire.
- Do not attempt to disassemble, repair, or modify the product.
There is a risk of fire or failure.
The warranty is void for the product if you disassemble, repair, or modify it.



CAUTION

- The SERVOPACK heat sinks, regenerative resistors, External Dynamic Brake Resistors, Servomotors, and other components can be very hot while power is ON or soon after the power is turned OFF. Implement safety measures, such as installing covers, so that hands and parts such as cables do not come into contact with hot components.
There is a risk of burn injury.
- For a 24-VDC power supply, use a power supply device with double insulation or reinforced insulation.
There is a risk of electric shock.
- Do not damage, pull on, apply excessive force to, place heavy objects on, or pinch cables.
There is a risk of failure, damage, or electric shock.
- The person who designs the system that uses the hard wire base block safety function must have a complete knowledge of the related safety standards and a complete understanding of the instructions in this document.
There is a risk of injury, product damage, or machine damage.
- Do not use the product in an environment that is subject to water, corrosive gases, or flammable gases, or near flammable materials.
There is a risk of electric shock or fire.

NOTICE

- Do not attempt to use a SERVOPACK or Servomotor that is damaged or that has missing parts.
- Install external emergency stop circuits that shut OFF the power supply and stops operation immediately when an error occurs.
- In locations with poor power supply conditions, install the necessary protective devices (such as AC reactors) to ensure that the input power is supplied within the specified voltage range. There is a risk of damage to the SERVOPACK.
- Use a Noise Filter to minimize the effects of electromagnetic interference. Electronic devices used near the SERVOPACK may be affected by electromagnetic interference.
- Always use a Servomotor and SERVOPACK in one of the specified combinations.
- Do not touch a SERVOPACK or Servomotor with wet hands. There is a risk of product failure.

■ Storage Precautions



CAUTION

- Do not place an excessive load on the product during storage. (Follow all instructions on the packages.) There is a risk of injury or damage.

NOTICE

- Do not install or store the product in any of the following locations.
 - Locations that are subject to direct sunlight
 - Locations that are subject to ambient temperatures that exceed product specifications
 - Locations that are subject to relative humidities that exceed product specifications
 - Locations that are subject to condensation as the result of extreme changes in temperature
 - Locations that are subject to corrosive or flammable gases
 - Locations that are near flammable materials
 - Locations that are subject to dust, salts, or iron powder
 - Locations that are subject to water, oil, or chemicals
 - Locations that are subject to vibration or shock that exceeds product specifications
 - Locations that are subject to radiation
- If you store or install the product in any of the above locations, the product may fail or be damaged.

■ Transportation Precautions



CAUTION

- Transport the product in a way that is suitable to the mass of the product.
- Do not use the eyebolts on a SERVOPACK or Servomotor to move the machine. There is a risk of damage or injury.
- When you handle a SERVOPACK or Servomotor, be careful of sharp parts, such as the corners. There is a risk of injury.
- Do not place an excessive load on the product during transportation. (Follow all instructions on the packages.) There is a risk of injury or damage.

NOTICE

- **Do not hold onto the front cover or connectors when you move a SERVOPACK.**
There is a risk of the SERVOPACK falling.
- **A SERVOPACK or Servomotor is a precision device. Do not drop it or subject it to strong shock.**
There is a risk of failure or damage.
- **Do not subject connectors to shock.**
There is a risk of faulty connections or damage.
- **If disinfectants or insecticides must be used to treat packing materials such as wooden frames, plywood, or pallets, the packing materials must be treated before the product is packaged, and methods other than fumigation must be used.**
Example: Heat treatment, where materials are kiln-dried to a core temperature of 56°C for 30 minutes or more.
If the electronic products, which include stand-alone products and products installed in machines, are packed with fumigated wooden materials, the electrical components may be greatly damaged by the gases or fumes resulting from the fumigation process. In particular, disinfectants containing halogen, which includes chlorine, fluorine, bromine, or iodine can contribute to the erosion of the capacitors.
- **Do not overtighten the eyebolts on a SERVOPACK or Servomotor.**
If you use a tool to overtighten the eyebolts, the tapped holes may be damaged.

■ Installation Precautions



CAUTION

- **Install the Servomotor or SERVOPACK in a way that will support the mass given in technical documents.**
- **Install SERVOPACKs, Servomotors, regenerative resistors, and External Dynamic Brake Resistors on nonflammable materials.**
Installation directly onto or near flammable materials may result in fire.
- **Provide the specified clearances between the SERVOPACK and the control panel as well as with other devices.**
There is a risk of fire or failure.
- **Install the SERVOPACK in the specified orientation.**
There is a risk of fire or failure.
- **Do not step on or place a heavy object on the product.**
There is a risk of failure, damage, or injury.
- **Do not allow any foreign matter to enter the SERVOPACK or Servomotor.**
There is a risk of failure or fire.

NOTICE

- **Do not install or store the product in any of the following locations.**
 - Locations that are subject to direct sunlight
 - Locations that are subject to ambient temperatures that exceed product specifications
 - Locations that are subject to relative humidities that exceed product specifications
 - Locations that are subject to condensation as the result of extreme changes in temperature
 - Locations that are subject to corrosive or flammable gases
 - Locations that are near flammable materials
 - Locations that are subject to dust, salts, or iron powder
 - Locations that are subject to water, oil, or chemicals
 - Locations that are subject to vibration or shock that exceeds product specifications
 - Locations that are subject to radiationIf you store or install the product in any of the above locations, the product may fail or be damaged.
- **Use the product in an environment that is appropriate for the product specifications.**

If you use the product in an environment that exceeds product specifications, the product may fail or be damaged.
- **A SERVOPACK or Servomotor is a precision device. Do not drop it or subject it to strong shock.**

There is a risk of failure or damage.
- **Always install a SERVOPACK in a control panel.**
- **Do not allow any foreign matter to enter a SERVOPACK or a Servomotor with a Cooling Fan and do not cover the outlet from the Servomotor's cooling fan.**

There is a risk of failure.

■ Wiring Precautions



DANGER

- **Do not change any wiring while power is being supplied.**

There is a risk of electric shock or injury.



WARNING

- **Wiring and inspections must be performed only by qualified engineers.**

There is a risk of electric shock or product failure.
- **Check all wiring and power supplies carefully.**

Incorrect wiring or incorrect voltage application to the output circuits may cause short-circuit failures. If a short-circuit failure occurs as a result of any of these causes, the holding brake will not work. This could damage the machine or cause an accident that may result in death or injury.
- **Connect the AC and DC power supplies to the specified SERVOPACK terminals.**
 - Connect an AC power supply to the L1, L2, and L3 terminals and the L1C and L2C terminals on the SERVOPACK.
 - Connect a DC power supply to the B1/⊕ and ⊖2 terminals and the L1C and L2C terminals on the SERVOPACK.

There is a risk of failure or fire.
- **If you use a SERVOPACK with the Dynamic Brake Hardware Option, connect an External Dynamic Brake Resistor that is suitable for the machine and equipment specifications to the specified terminals.**

There is a risk of unexpected operation, machine damage, burning, or injury when an emergency stop is performed.



CAUTION

- Wait for at least six minutes after turning OFF the power supply (with a SERVOPACK for a 100-VAC input, wait for at least nine minutes) and then make sure that the CHARGE indicator is not lit before starting wiring or inspection work. Do not touch the power supply terminals while the CHARGE lamp is lit after turning OFF the power supply because high voltage may still remain in the SERVOPACK.
There is a risk of electric shock.
- Observe the precautions and instructions for wiring and trial operation precisely as described in this document.
Failures caused by incorrect wiring or incorrect voltage application in the brake circuit may cause the SERVOPACK to fail, damage the equipment, or cause an accident resulting in death or injury.
- Check the wiring to be sure it has been performed correctly.
Connectors and pin layouts are sometimes different for different models. Always confirm the pin layouts in technical documents for your model before operation.
There is a risk of failure or malfunction.
- Connect wires to power supply terminals and motor connection terminals securely with the specified methods and tightening torque.
Insufficient tightening may cause wires and terminal blocks to generate heat due to faulty contact, possibly resulting in fire.
- Use shielded twisted-pair cables or screened unshielded multi-twisted-pair cables for I/O Signal Cables and Encoder Cables.
- Observe the following precautions when wiring the SERVOPACK's main circuit terminals.
 - Turn ON the power supply to the SERVOPACK only after all wiring, including the main circuit terminals, has been completed.
 - If a connector is used for the main circuit terminals, remove the main circuit connector from the SERVOPACK before you wire it.
 - Insert only one wire per insertion hole in the main circuit terminals.
 - When you insert a wire, make sure that the conductor wire (e.g., whiskers) does not come into contact with adjacent wires.
- Install molded-case circuit breakers and other safety measures to provide protection against short circuits in external wiring.
There is a risk of fire or failure.

NOTICE

- Whenever possible, use the Cables specified by Yaskawa.
If you use any other cables, confirm the rated current and application environment of your model and use the wiring materials specified by Yaskawa or equivalent materials.
- Securely tighten cable connector screws and lock mechanisms.
Insufficient tightening may result in cable connectors falling off during operation.
- Do not bundle power lines (e.g., the Main Circuit Cable) and low-current lines (e.g., the I/O Signal Cables or Encoder Cables) together or run them through the same duct. If you do not place power lines and low-current lines in separate ducts, separate them by at least 30 cm.
If the cables are too close to each other, malfunctions may occur due to noise affecting the low-current lines.
- Install a battery at either the host controller or on the Encoder Cable.
If you install batteries both at the host controller and on the Encoder Cable at the same time, you will create a loop circuit between the batteries, resulting in a risk of damage or burning.
- When connecting a battery, connect the polarity correctly.
There is a risk of battery rupture or encoder failure.

■ Operation Precautions




WARNING

- Before starting operation with a machine connected, change the settings of the switches and parameters to match the machine.
Unexpected machine operation, failure, or personal injury may occur if operation is started before appropriate settings are made.
- Do not radically change the settings of the parameters.
There is a risk of unstable operation, machine damage, or injury.
- Install limit switches or stoppers at the ends of the moving parts of the machine to prevent unexpected accidents.
There is a risk of machine damage or injury.
- For trial operation, securely mount the Servomotor and disconnect it from the machine.
There is a risk of injury.
- Forcing the motor to stop for overtravel is disabled when the Jog (Fn002), Origin Search (Fn003), or Easy FFT (Fn206) utility function is executed. Take necessary precautions.
There is a risk of machine damage or injury.
- When an alarm occurs, the Servomotor will coast to a stop or stop with the dynamic brake according to the SERVOPACK Option and settings. The coasting distance will change with the moment of inertia of the load and the resistance of the External Dynamic Brake Resistor. Check the coasting distance during trial operation and implement suitable safety measures on the machine.
- Do not enter the machine's range of motion during operation.
There is a risk of injury.
- Do not touch the moving parts of the Servomotor or machine during operation.
There is a risk of injury.



CAUTION

- Design the system to ensure safety even when problems, such as broken signal lines, occur. For example, the CCW-OT and CW-OT signals are set in the default settings to operate on the safe side if a signal line breaks. Do not change the polarity of this type of signal.
- When overtravel occurs, the power supply to the motor is turned OFF and the brake is released. If you use the Servomotor to drive a vertical load, set the Servomotor to enter a zero-clamped state after the Servomotor stops. Also, install safety devices (such as an external brake or counterweight) to prevent the moving parts of the machine from falling.
- Always turn OFF the servo before you turn OFF the power supply. If you turn OFF the main circuit power supply or control power supply during operation before you turn OFF the servo, the Servomotor will stop as follows:
 - If you turn OFF the main circuit power supply during operation without turning OFF the servo, the Servomotor will stop abruptly with the dynamic brake.
 - If you turn OFF the control power supply without turning OFF the servo, the stopping method that is used by the Servomotor depends on the model of the SERVOPACK. For details, refer to the manual for the SERVOPACK.
 - If you use a SERVOPACK with the Dynamic Brake Hardware Option, the Servomotor stopping methods will be different from the stopping methods used without the Option or with other Hardware Options. For details, refer to the following manual.
 Σ -7-Series Σ -7S/ Σ -7W SERVOPACK with Dynamic Brake Hardware Option Specifications Product Manual (Manual No.: SIEP S800001 73)
- Do not use the dynamic brake for any application other than an emergency stop.
There is a risk of failure due to rapid deterioration of elements in the SERVOPACK and the risk of unexpected operation, machine damage, burning, or injury.

NOTICE

- When you adjust the gain during system commissioning, use a measuring instrument to monitor the torque waveform and speed waveform and confirm that there is no vibration. If a high gain causes vibration, the Servomotor will be damaged quickly.
- Do not frequently turn the power supply ON and OFF. After you have started actual operation, allow at least one hour between turning the power supply ON and OFF (as a guideline). Do not use the product in applications that require the power supply to be turned ON and OFF frequently. The elements in the SERVOPACK will deteriorate quickly.
- An alarm or warning may occur if communications are performed with the host controller while the SigmaWin+ or Digital Operator is operating. If an alarm or warning occurs, it may interrupt the current process and stop the system.
- After you complete trial operation of the machine and facilities, use the SigmaWin+ to back up the settings of the SERVOPACK parameters. You can use them to reset the parameters after SERVOPACK replacement. If you do not copy backed up parameter settings, normal operation may not be possible after a faulty SERVOPACK is replaced, possibly resulting in machine or equipment damage.

■ Maintenance and Inspection Precautions



DANGER

- Do not change any wiring while power is being supplied. There is a risk of electric shock or injury.



WARNING

- Wiring and inspections must be performed only by qualified engineers. There is a risk of electric shock or product failure.



CAUTION

- Wait for at least six minutes after turning OFF the power supply (with a SERVOPACK for a 100-VAC input, wait for at least nine minutes) and then make sure that the CHARGE indicator is not lit before starting wiring or inspection work. Do not touch the power supply terminals while the CHARGE lamp is lit after turning OFF the power supply because high voltage may still remain in the SERVOPACK. There is a risk of electric shock.
- Before you replace a SERVOPACK, back up the settings of the SERVOPACK parameters. Copy the backed up parameter settings to the new SERVOPACK and confirm that they were copied correctly. If you do not copy backed up parameter settings or if the copy operation is not completed normally, normal operation may not be possible, possibly resulting in machine or equipment damage.

NOTICE

- Discharge all static electricity from your body before you operate any of the buttons or switches inside the front cover of the SERVOPACK. There is a risk of equipment damage.

■ Troubleshooting Precautions



DANGER

- If the safety device (molded-case circuit breaker or fuse) installed in the power supply line operates, remove the cause before you supply power to the SERVOPACK again. If necessary, repair or replace the SERVOPACK, check the wiring, and remove the factor that caused the safety device to operate.
There is a risk of fire, electric shock, or injury.



WARNING

- The product may suddenly start to operate when the power supply is recovered after a momentary power interruption. Design the machine to ensure human safety when operation restarts.
There is a risk of injury.



CAUTION

- When an alarm occurs, remove the cause of the alarm and ensure safety. Then reset the alarm or turn the power supply OFF and ON again to restart operation.
There is a risk of injury or machine damage.
- If the Servo ON signal is input to the SERVOPACK and an alarm is reset, the Servomotor may suddenly restart operation. Confirm that the servo is OFF and ensure safety before you reset an alarm.
There is a risk of injury or machine damage.
- Always insert a magnetic contactor in the line between the main circuit power supply and the main circuit power supply terminals on the SERVOPACK so that the power supply can be shut OFF at the main circuit power supply.
If a magnetic contactor is not connected when the SERVOPACK fails, a large current may flow, possibly resulting in fire.
- If an alarm occurs, shut OFF the main circuit power supply.
There is a risk of fire due to a regenerative resistor overheating as the result of regenerative transistor failure.
- Install a ground fault detector against overloads and short-circuiting or install a molded-case circuit breaker combined with a ground fault detector.
There is a risk of SERVOPACK failure or fire if a ground fault occurs.
- The holding brake on a Servomotor will not ensure safety if there is the possibility that an external force (including gravity) may move the current position and create a hazardous situation when power is interrupted or an error occurs. If an external force may cause movement, install an external braking mechanism that ensures safety.

■ Disposal Precautions

- When disposing of the product, treat it as ordinary industrial waste. However, local ordinances and national laws must be observed. Implement all labeling and warnings as a final product as required.

■ General Precautions

- Figures provided in this document are typical examples or conceptual representations. There may be differences between them and actual wiring, circuits, and products.
- The products shown in illustrations in this document are sometimes shown without covers or protective guards. Always replace all covers and protective guards before you use the product.
- If you need a new copy of this document because it has been lost or damaged, contact your nearest Yaskawa representative or one of the offices listed on the back of this document.
- This document is subject to change without notice for product improvements, specifications changes, and improvements to the manual itself.
We will update the document number of the document and issue revisions when changes are made.
- Any and all quality guarantees provided by Yaskawa are null and void if the customer modifies the product in any way. Yaskawa disavows any responsibility for damages or losses that are caused by modified products.

Warranty

◆ Details of Warranty

■ Warranty Period

The warranty period for a product that was purchased (hereinafter called the “delivered product”) is one year from the time of delivery to the location specified by the customer or 18 months from the time of shipment from the Yaskawa factory, whichever is sooner.

■ Warranty Scope

Yaskawa shall replace or repair a defective product free of charge if a defect attributable to Yaskawa occurs during the above warranty period.

This warranty does not cover defects caused by the delivered product reaching the end of its service life and replacement of parts that require replacement or that have a limited service life.

This warranty does not cover failures that result from any of the following causes.

- Improper handling, abuse, or use in unsuitable conditions or in environments not described in product catalogs or manuals, or in any separately agreed-upon specifications
- Causes not attributable to the delivered product itself
- Modifications or repairs not performed by Yaskawa
- Use of the delivered product in a manner in which it was not originally intended
- Causes that were not foreseeable with the scientific and technological understanding at the time of shipment from Yaskawa
- Events for which Yaskawa is not responsible, such as natural or human-made disasters

◆ Limitations of Liability

- Yaskawa shall in no event be responsible for any damage or loss of opportunity to the customer that arises due to failure of the delivered product.
- Yaskawa shall not be responsible for any programs (including parameter settings) or the results of program execution of the programs provided by the user or by a third party for use with programmable Yaskawa products.
- The information described in product catalogs or manuals is provided for the purpose of the customer purchasing the appropriate product for the intended application. The use thereof does not guarantee that there are no infringements of intellectual property rights or other proprietary rights of Yaskawa or third parties, nor does it construe a license.
- Yaskawa shall not be responsible for any damage arising from infringements of intellectual property rights or other proprietary rights of third parties as a result of using the information described in catalogs or manuals.

◆ Suitability for Use

- It is the customer's responsibility to confirm conformity with any standards, codes, or regulations that apply if the Yaskawa product is used in combination with any other products.
- The customer must confirm that the Yaskawa product is suitable for the systems, machines, and equipment used by the customer.
- Consult with Yaskawa to determine whether use in the following applications is acceptable. If use in the application is acceptable, use the product with extra allowance in ratings and specifications, and provide safety measures to minimize hazards in the event of failure.
 - Outdoor use, use involving potential chemical contamination or electrical interference, or use in conditions or environments not described in product catalogs or manuals
 - Nuclear energy control systems, combustion systems, railroad systems, aviation systems, vehicle systems, medical equipment, amusement machines, and installations subject to separate industry or government regulations
 - Systems, machines, and equipment that may present a risk to life or property
 - Systems that require a high degree of reliability, such as systems that supply gas, water, or electricity, or systems that operate continuously 24 hours a day
 - Other systems that require a similar high degree of safety
- Never use the product for an application involving serious risk to life or property without first ensuring that the system is designed to secure the required level of safety with risk warnings and redundancy, and that the Yaskawa product is properly rated and installed.
- The circuit examples and other application examples described in product catalogs and manuals are for reference. Check the functionality and safety of the actual devices and equipment to be used before using the product.
- Read and understand all use prohibitions and precautions, and operate the Yaskawa product correctly to prevent accidental harm to third parties.

◆ Specifications Change

The names, specifications, appearance, and accessories of products in product catalogs and manuals may be changed at any time based on improvements and other reasons. The next editions of the revised catalogs or manuals will be published with updated code numbers. Consult with your Yaskawa representative to confirm the actual specifications before purchasing a product.

Compliance with UL Standards, EU Directives, and Other Safety Standards

Certification marks for the standards for which the product has been certified by certification bodies are shown on nameplate. Products that do not have the marks are not certified for the standards.

◆ North American Safety Standards (UL)



Product	Model	North American Safety Standards (UL File No.)
SERVOPACKs	SGD7S	UL 61800-5-1 (E147823) CSA C22.2 No.274
Rotary Servomotors	<ul style="list-style-type: none"> • SGMMV • SGM7A • SGM7J • SGM7P • SGM7G 	UL 1004-1 UL 1004-6 (E165827)
Direct Drive Servomotors	<ul style="list-style-type: none"> • SGM7E*1 • SGM7F*2 • SGMCV 	UL 1004-1 UL 1004-6 (E165827)
Linear Servomotors	<ul style="list-style-type: none"> • SGLGW • SGLFW • SGLFW2*1 • SGLTW 	UL 1004 (E165827)

*1. Certification is pending.

*2. SGM7F-□□B, -□□C, and -□□D: Certified; SGM7F-□□A: Certification is pending.

◆ European Directives



Product	Model	EU Directive	Harmonized Standards
SERVOPACKs	SGD7S	Machinery Directive 2006/42/EC	EN ISO13849-1: 2015
		EMC Directive 2014/30/EU	EN 55011 group 1, class A EN 61000-6-2 EN 61000-6-4 EN 61800-3 (Category C2, Second environment)
		Low Voltage Directive 2014/35/EU	EN 50178 EN 61800-5-1
Rotary Servomotors	SGMMV	EMC Directive 2004/104/EC	EN 55011 group 1, class A EN 61000-6-2 EN 61800-3
		Low Voltage Directive 2006/95/EC	EN 60034-1 EN 60034-5
	<ul style="list-style-type: none"> • SGM7J • SGM7A • SGM7P • SGM7G 	EMC Directive 2014/30/EU	EN 55011 group 1, class A EN 61000-6-2 EN 61000-6-4 EN 61800-3 (Category C2, Second environment)
		Low Voltage Directive 2014/35/EU	EN 60034-1 EN 60034-5
Direct Drive Servomotors	<ul style="list-style-type: none"> • SGM7E*¹ • SGM7F*¹ • SGMCV • SGMCS- □□B, □□C, □□D, □□E (Small-Capacity, Coreless Servomotors) 	EMC Directive 2004/108/EC	EN 55011 group 1, class A EN 61000-6-2 EN 61000-6-4* ² EN 61800-3* ³
		Low Voltage Directive 2006/95/EC	EN 60034-1 EN 60034-5
Linear Servomotors	<ul style="list-style-type: none"> • SGLG • SGLF • SGLFW2 • SGLT 	EMC Directive 2004/108/EC	EN 55011 group 1, class A EN 61000-6-2 EN 61000-6-4
		Low Voltage Directive 2006/95/EC	EN 60034-1

*1. Certification is pending.

*2. Certification is pending for the SGM7F and SGMCV. No application has been made for SGMCS certification.

*3. No application has been made for SGMCS certification.

Note: 1. We declared the CE Marking based on the harmonized standards in the above table.

2. These products are for industrial use. In home environments, these products may cause electromagnetic interference and additional noise reduction measures may be necessary.

◆ Safety Standards



Product	Model	Safety Standards	Standards
SERVOPACKs	SGD7S	Safety of Machinery	EN ISO13849-1: 2015 IEC 60204-1
		Functional Safety	IEC 61508 series IEC 62061 IEC 61800-5-2
		EMC	IEC 61326-3-1

◆ Safety Parameters

Item	Standards	Performance Level
Safety Integrity Level	IEC 61508	SIL3
	IEC 62061	SILCL3
Probability of Dangerous Failure per Hour	IEC 61508 IEC 62061	PFH = 4.04×10^{-9} [1/h] (4.04% of SIL3)
Performance Level	EN ISO 13849-1	PLe (Category 3)
Mean Time to Dangerous Failure of Each Channel	EN ISO 13849-1	MTTFd: High
Average Diagnostic Coverage	EN ISO 13849-1	DCavg: Medium
Stop Category	IEC 60204-1	Stop category 0
Safety Function	IEC 61800-5-2	STO
Mission Time	IEC 61508	10 years
Hardware Fault Tolerance	IEC 61508	HFT = 1
Subsystem	IEC 61508	B

Contents

About this Manual	iii
Outline of Manual	iii
Related Documents	iv
Using This Manual	xi
Safety Precautions	xiv
Warranty	xxiv
Compliance with UL Standards, EU Directives, and Other Safety Standards . .	xxvi

1

Basic Information

1.1	The Σ-7 Series	1-3
1.2	Introduction to the DeviceNet Module	1-4
	1.2.1 DeviceNet Terminology	1-4
	1.2.2 Data Types	1-4
1.3	Interpreting the Nameplate	1-5
	1.3.1 SERVOPACK Nameplate	1-5
	1.3.2 DeviceNet Module Nameplate	1-5
1.4	Part Names	1-6
1.5	Interpreting Panel Displays	1-8
	1.5.1 Panel Displays	1-8
	1.5.2 LED Indicators	1-9
1.6	Model Designations	1-10
	1.6.1 Interpreting SERVOPACK Model Numbers	1-10
	1.6.2 Interpreting DeviceNet Module Model Numbers	1-11
	1.6.3 Interpreting Servomotor Model Numbers	1-12
1.7	Combinations of SERVOPACKs and Servomotors	1-13
	1.7.1 Combinations of Rotary Servomotors and SERVOPACKs	1-13
	1.7.2 Combinations of Direct Drive Servomotors and SERVOPACKs	1-14
	1.7.3 Combinations of Linear Servomotors and SERVOPACKs	1-16
1.8	Functions	1-18

2

Selecting a SERVOPACK

2.1	Ratings and Specifications	2-2
	2.1.1 Ratings	2-2
	2.1.2 DeviceNet Module Power Loss	2-5
	2.1.3 SERVOPACK Overload Protection Characteristics	2-6
	2.1.4 Specifications	2-7

2.2	Block Diagrams	2-11
2.2.1	SGD7S-R70A, -R90A, and -1R6A	2-11
2.2.2	SGD7S-2R8A	2-11
2.2.3	SGD7S-3R8A, -5R5A, and -7R6A	2-12
2.2.4	SGD7S-120A	2-13
2.2.5	SGD7S-180A and -200A	2-15
2.2.6	SGD7S-330A	2-16
2.2.7	SGD7S-470A and -550A	2-17
2.2.8	SGD7S-590A and -780A	2-18
2.2.9	SGD7S-R70F, -R90F, and -2R1F	2-19
2.2.10	SGD7S-2R8F	2-19
2.3	External Dimensions	2-20
2.3.1	Front Cover Dimensions and Connector Specifications	2-20
2.3.2	SERVOPACK External Dimensions	2-20
2.3.3	DeviceNet Module External Dimensions and Connector Specifications	2-26
2.4	Examples of Standard Connections between SERVOPACKs and Peripheral Devices	2-27

3

Installation

3.1	Installation Precautions	3-2
3.2	Mounting the DeviceNet Module to the SERVOPACK	3-3
3.3	Mounting Types and Orientation	3-4
3.4	Mounting Hole Dimensions	3-5
3.5	Mounting Interval	3-6
3.5.1	Installing One SERVOPACK in a Control Panel	3-6
3.5.2	Installing More Than One SERVOPACK in a Control Panel	3-6
3.6	Monitoring the Installation Environment	3-7
3.7	EMC Installation Conditions	3-8

4

Wiring and Connections

4.1	Wiring and Connecting SERVOPACKs	4-3
4.1.1	General Precautions	4-3
4.1.2	Countermeasures against Noise	4-6
4.1.3	Grounding	4-9
4.2	Basic Wiring Diagrams	4-10

4.3	Wiring the Power Supply to the SERVOPACK	4-11
4.3.1	Terminal Symbols and Terminal Names	4-11
4.3.2	Wiring Procedure for Main Circuit Connector	4-13
4.3.3	Power ON Sequence	4-14
4.3.4	Power Supply Wiring Diagrams	4-15
4.3.5	Wiring Regenerative Resistors	4-21
4.3.6	Wiring Reactors for Harmonic Suppression	4-23
4.4	Wiring Servomotors	4-24
4.4.1	Terminal Symbols and Terminal Names	4-24
4.4.2	Pin Arrangement of Encoder Connector (CN2)	4-24
4.4.3	Wiring the SERVOPACK to the Encoder	4-25
4.4.4	Wiring the SERVOPACK to the Holding Brake	4-31
4.5	I/O Signal Connections	4-32
4.5.1	I/O Signal Connector (CN1) Names and Functions	4-32
4.5.2	I/O Signal Connector (CN1) Pin Arrangement	4-33
4.5.3	I/O Signal Wiring Examples	4-33
4.5.4	I/O Circuits	4-35
4.6	Connecting Safety Function Signals	4-37
4.6.1	Pin Arrangement of Safety Function Signals (CN8)	4-37
4.6.2	I/O Circuits	4-37
4.7	DeviceNet System Configuration	4-39
4.7.1	System Configuration Example for DeviceNet Communications	4-39
4.7.2	Connection Examples for DeviceNet Communications Cable	4-40
4.7.3	Precautions for Connecting DeviceNet Communications Cables	4-41
4.7.4	Signal Names and Functions of the DeviceNet Communications Connector (CN6)	4-44
4.7.5	Network Connection Methods	4-45
4.8	Connecting the Other Connectors	4-46
4.8.1	Serial Communications Connector (CN3)	4-46
4.8.2	Computer Connector (CN7)	4-46
4.8.3	Analog Monitor Connector (CN5)	4-46

5

Basic Functions That Require Setting before Operation

5.1	Manipulating Parameters (Pn□□□)	5-3
5.1.1	Parameter Classification	5-3
5.1.2	Notation for Parameters	5-4
5.1.3	Parameter Setting Methods	5-5
5.1.4	Write Prohibition Setting for Parameters	5-8
5.1.5	Initializing Parameter Settings	5-10
5.1.6	Managing Parameters (Pn□□□)	5-12
5.2	Power Supply Type Settings for the Main Circuit and Control Circuit . .	5-13
5.2.1	AC Power Supply Input/DC Power Supply Input Setting	5-13
5.2.2	Single-phase AC Power Supply Input/ Three-phase AC Power Supply Input Setting	5-14
5.3	Automatic Detection of Connected Motor	5-15

5.4	Motor Direction Setting	5-16
5.5	Setting the Linear Encoder Pitch	5-17
5.6	Writing Linear Servomotor Parameters	5-18
5.7	Selecting the Phase Sequence for a Linear Servomotor	5-22
5.8	Polarity Sensor Setting	5-24
5.9	Polarity Detection	5-25
5.9.1	Restrictions	5-25
5.9.2	Using the Servo ON Command to Perform Polarity Detection	5-26
5.9.3	Using a Tool Function to Perform Polarity Detection	5-27
5.10	Overtravel and Related Settings	5-28
5.10.1	Overtravel Signals	5-28
5.10.2	Setting to Enable/Disable Overtravel	5-29
5.10.3	Setting Overtravel Signal Polarity	5-29
5.10.4	Motor Stopping Method for Overtravel	5-29
5.11	Holding Brake	5-30
5.11.1	Brake Operating Sequence	5-30
5.11.2	/BK (Brake) Signal	5-31
5.11.3	Output Timing of /BK (Brake) Signal When the Servomotor Is Stopped	5-32
5.11.4	Output Timing of /BK (Brake) Signal When the Servomotor Is Operating	5-32
5.12	Motor Stopping Method for Servo OFF and Alarms	5-34
5.12.1	Stopping Method for Servo OFF	5-35
5.12.2	Servomotor Stopping Method for Alarms	5-35
5.13	Motor Overload Detection Level	5-38
5.13.1	Detection Timing for Overload Warnings (A.910)	5-38
5.13.2	Detection Timing for Overload Alarms (A.720)	5-39
5.14	Electronic Gear Settings	5-40
5.14.1	Electronic Gear Ratio Settings	5-41
5.14.2	Electronic Gear Ratio Setting Examples	5-44
5.15	Resetting the Absolute Encoder	5-45
5.15.1	Precautions on Resetting	5-45
5.15.2	Preparations	5-45
5.15.3	Applicable Tools	5-46
5.15.4	Operating Procedure	5-46
5.16	Setting the Origin of the Absolute Encoder	5-48
5.16.1	Absolute Encoder Origin Offset	5-48
5.16.2	Setting the Origin of the Absolute Linear Encoder	5-48
5.17	Setting the Regenerative Resistor Capacity	5-51

6

Application Functions

6.1	I/O Signal Descriptions	6-3
6.1.1	Input Signals	6-3
6.1.2	Output Signals	6-3
6.2	Operation for Momentary Power Interruptions	6-5
6.3	SEMI F47 Function	6-6
6.4	Setting the Motor Maximum Speed	6-8
6.5	Encoder Divided Pulse Output	6-9
6.5.1	Encoder Divided Pulse Output Signals	6-9
6.5.2	Setting for the Encoder Divided Pulse Output	6-14
6.6	Software Limits	6-16
6.6.1	Setting to Enable/Disable Software Limits	6-16
6.6.2	Setting the Software Limit Action	6-16
6.6.3	Setting the Software Limits	6-16
6.7	Internal Torque Limits	6-17
6.8	Absolute Encoders	6-18
6.8.1	Connecting an Absolute Encoder	6-19
6.8.2	Multiturn Limit Setting	6-19
6.8.3	Multiturn Limit Disagreement Alarm (A.CC0)	6-20
6.9	Absolute Linear Encoders	6-23
6.9.1	Connecting an Absolute Linear Encoder	6-23
6.10	Software Reset	6-24
6.10.1	Preparations	6-24
6.10.2	Applicable Tools	6-24
6.10.3	Operating Procedure	6-24
6.11	Initializing the Vibration Detection Level	6-26
6.11.1	Preparations	6-26
6.11.2	Applicable Tools	6-27
6.11.3	Operating Procedure	6-27
6.11.4	Related Parameters	6-29
6.12	Adjusting the Motor Current Detection Signal Offset	6-30
6.12.1	Automatic Adjustment	6-30
6.12.2	Manual Adjustment	6-32
6.13	External Stop Function	6-34
6.13.1	EXSTOP (External Stop Input) Signal	6-34
6.13.2	Enabling/Disabling the External Stop Input Signal	6-34
6.13.3	Setting the Polarity of the External Stop Input Signal	6-34
6.14	Overheat Protection	6-35
6.14.1	Connecting the Overheat Protection Input (TH) Signal	6-35
6.14.2	Overheat Protection Selection	6-35

7

Trial Operation and Actual Operation

7.1	Flow of Trial Operation	7-2
7.1.1	Flow of Trial Operation for Rotary Servomotors	7-2
7.1.2	Flow of Trial Operation for Linear Servomotors	7-3
7.2	Inspections and Confirmations before Trial Operation	7-5
7.3	Trial Operation for the Servomotor without a Load	7-6
7.3.1	Preparations	7-6
7.3.2	Applicable Tools	7-7
7.3.3	Operating Procedure	7-7
7.4	Trial Operation with DeviceNet Communications	7-9
7.5	Trial Operation with the Servomotor Connected to the Machine . .	7-10
7.5.1	Precautions	7-10
7.5.2	Preparations	7-10
7.5.3	Operating Procedure	7-11
7.6	Convenient Function to Use during Trial Operation	7-12
7.6.1	Program Jogging	7-12
7.6.2	Origin Search	7-18
7.6.3	Test without a Motor	7-20

8

Tuning

8.1	Overview and Flow of Tuning	8-4
8.1.1	Tuning Functions	8-5
8.1.2	Diagnostic Tool	8-5
8.2	Monitoring Methods	8-6
8.3	Precautions to Ensure Safe Tuning	8-7
8.3.1	Overtravel Settings	8-7
8.3.2	Torque Limit Settings	8-7
8.3.3	Setting the Position Deviation Overflow Alarm Level	8-7
8.3.4	Vibration Detection Level Setting	8-9
8.3.5	Setting the Position Deviation Overflow Alarm Level at Servo ON	8-9
8.4	Tuning-less Function	8-11
8.4.1	Application Restrictions	8-11
8.4.2	Operating Procedure	8-12
8.4.3	Troubleshooting Alarms	8-13
8.4.4	Parameters Disabled by Tuning-less Function	8-14
8.4.5	Automatically Adjusted Function Setting	8-14
8.4.6	Related Parameters	8-14
8.5	Estimating the Moment of Inertia	8-15
8.5.1	Outline	8-15
8.5.2	Restrictions	8-16
8.5.3	Applicable Tools	8-16
8.5.4	Operating Procedure	8-17

8.6	Autotuning without Host Reference	8-23
8.6.1	Outline.	8-23
8.6.2	Restrictions	8-24
8.6.3	Applicable Tools	8-25
8.6.4	Operating Procedure	8-25
8.6.5	Troubleshooting Problems in Autotuning without a Host Reference.	8-29
8.6.6	Automatically Adjusted Function Settings	8-31
8.6.7	Related Parameters.	8-33
8.7	Autotuning with a Host Reference	8-34
8.7.1	Outline.	8-34
8.7.2	Restrictions	8-35
8.7.3	Applicable Tools	8-35
8.7.4	Operating Procedure	8-36
8.7.5	Troubleshooting Problems in Autotuning with a Host Reference	8-40
8.7.6	Automatically Adjusted Function Settings	8-40
8.7.7	Related Parameters.	8-41
8.8	Custom Tuning	8-42
8.8.1	Outline.	8-42
8.8.2	Preparations	8-42
8.8.3	Applicable Tools	8-43
8.8.4	Operating Procedure	8-43
8.8.5	Automatically Adjusted Function Settings	8-49
8.8.6	Tuning Example for Tuning Mode 2 or 3.	8-49
8.8.7	Related Parameters.	8-50
8.9	Anti-Resonance Control Adjustment	8-51
8.9.1	Outline.	8-51
8.9.2	Preparations	8-51
8.9.3	Applicable Tools	8-52
8.9.4	Operating Procedure	8-52
8.9.5	Related Parameters.	8-54
8.9.6	Suppressing Different Vibration Frequencies with Anti-resonance Control	8-54
8.10	Vibration Suppression	8-56
8.10.1	Outline.	8-56
8.10.2	Preparations	8-57
8.10.3	Applicable Tools	8-57
8.10.4	Operating Procedure	8-57
8.10.5	Related Parameters.	8-59
8.11	Speed Ripple Compensation	8-60
8.11.1	Outline.	8-60
8.11.2	Setting Up Speed Ripple Compensation	8-60
8.11.3	Setting Parameters	8-64
8.12	Additional Adjustment Functions	8-66
8.12.1	Automatic Gain Switching	8-66
8.12.2	Friction Compensation	8-69
8.12.3	Gravity Compensation	8-71
8.12.4	Current Control Mode Selection	8-73
8.12.5	Current Gain Level Setting.	8-73
8.12.6	Speed Detection Method Selection	8-74
8.12.7	Speed Feedback Filter.	8-74
8.12.8	Backlash Compensation	8-74

8.13	Manual Tuning	8-79
8.13.1	Tuning the Servo Gains	8-79
8.13.2	Compatible Adjustment Functions	8-89
8.14	Diagnostic Tools	8-93
8.14.1	Mechanical Analysis	8-93
8.14.2	Easy FFT	8-95

9

Monitoring

9.1	Monitoring Product Information	9-2
9.1.1	Items That You Can Monitor	9-2
9.1.2	Operating Procedures	9-2
9.2	Monitoring SERVOPACK Status	9-3
9.2.1	System Monitor	9-3
9.2.2	Monitoring Status and Operations	9-4
9.2.3	I/O Signal Monitor	9-6
9.3	Monitoring Machine Operation Status and Signal Waveforms . .	9-7
9.3.1	Items That You Can Monitor	9-7
9.3.2	Using the SigmaWin+	9-8
9.3.3	Using a Measuring Instrument	9-10
9.4	Monitoring Product Life	9-14
9.4.1	Items That You Can Monitor	9-14
9.4.2	Operating Procedure	9-15
9.4.3	Preventative Maintenance	9-15
9.5	Alarm Tracing	9-16
9.5.1	Data for Which Alarm Tracing Is Performed	9-16
9.5.2	Applicable Tools	9-16

10

Fully-Closed Loop Control

10.1	Fully-Closed System	10-2
10.2	SERVOPACK Commissioning Procedure	10-3
10.3	Parameter Settings for Fully-Closed Loop Control	10-5
10.3.1	Control Block Diagram for Fully-Closed Loop Control	10-5
10.3.2	Setting the Motor Direction and the Machine Movement Direction	10-6
10.3.3	Setting the Number of External Encoder Scale Pitches	10-7
10.3.4	Setting the PAO, PBO, and PCO (Encoder Divided Pulse Output) Signals	10-7
10.3.5	Electronic Gear Setting	10-8
10.3.6	Alarm Detection Settings	10-8
10.3.7	Analog Monitor Signal Settings	10-9
10.3.8	Setting to Use an External Encoder for Speed Feedback	10-9

11

Safety Functions

11.1	Introduction to the Safety Functions	11-2
11.1.1	Safety Functions	11-2
11.1.2	Precautions for Safety Functions	11-2
11.2	Hard Wire Base Block (HWBB)	11-3
11.2.1	Risk Assessment	11-3
11.2.2	Hard Wire Base Block (HWBB) State	11-4
11.2.3	Resetting the HWBB State	11-5
11.2.4	Detecting Errors in HWBB Signal	11-5
11.2.5	HWBB Input Signal Specifications	11-6
11.2.6	Operation without a Host Controller	11-6
11.2.7	Servo Ready	11-7
11.2.8	/BK (Brake Output) Signal	11-7
11.2.9	Stopping Methods	11-8
11.2.10	ALM (Servo Alarm) Signal	11-8
11.3	EDM1 (External Device Monitor)	11-9
11.3.1	EDM1 Output Signal Specifications	11-9
11.4	Applications Examples for Safety Functions	11-10
11.4.1	Connection Example	11-10
11.4.2	Failure Detection Method	11-10
11.4.3	Procedure	11-11
11.5	Validating Safety Functions	11-12
11.6	Connecting a Safety Function Device	11-13

12

DeviceNet Functions

12.1	Setting the Coordinate System	12-2
12.1.1	Coordinate System Selection	12-2
12.1.2	Setting the Reference Units per Machine Revolution	12-2
12.2	Origin Returns	12-3
12.2.1	Origin Return Type	12-3
12.2.2	Parameter Settings	12-3
12.2.3	Setting the Origin	12-5
12.3	Positioning	12-6
12.3.1	Acceleration/Deceleration Patterns	12-6
12.3.2	Parameter Settings	12-11
12.4	Positioning after Continuous Operation	12-13
12.4.1	Positioning Patterns after Continuous Operation	12-13
12.4.2	Parameter Settings	12-14
12.5	Special Functions	12-16
12.5.1	Action Definition Settings	12-16
12.5.2	Initialization Functions	12-17

13

DeviceNet Communications

13.1	DeviceNet Communications Settings	13-3
13.1.1	Setting the Node Address	13-3
13.1.2	Setting the Baud Rate	13-4
13.2	Communications Methods	13-5
13.2.1	I/O Communications	13-5
13.2.2	Explicit Message Communications	13-11
13.3	Controlling Operation from the Host Controller	13-13
13.3.1	Positioning	13-13
13.3.2	Continuous Operation	13-14
13.3.3	Origin Returns	13-15
13.3.4	Switching to Positioning	13-18
13.3.5	Hard Stop Operation	13-20
13.3.6	Smooth Stop Operation	13-21
13.3.7	External Stop Operation	13-21
13.3.8	Hardware Limit Operation	13-22
13.3.9	Software Limit Operation	13-22
13.4	Programmed Operation	13-23
13.4.1	What Is Programmed Operation?	13-23
13.4.2	Command Blocks	13-23
13.4.3	Block Command Details	13-24
13.4.4	Command Block Links	13-28
13.4.5	Creating and Changing Command Blocks	13-28
13.4.6	Starting Programmed Operation	13-30
13.5	Reading and Changing Attributes	13-31
13.5.1	DeviceNet Data Management	13-31
13.5.2	Reading and Changing Attributes	13-32
13.5.3	Executing a Module Reset	13-33

14

Maintenance

14.1	Inspections and Part Replacement	14-2
14.1.1	Inspections	14-2
14.1.2	Guidelines for Part Replacement	14-2
14.1.3	Replacing the Battery	14-3
14.2	Alarm Displays	14-5
14.2.1	List of Alarms	14-5
14.2.2	Troubleshooting Alarms	14-11
14.2.3	Resetting Alarms	14-43
14.2.4	Displaying the Alarm History	14-44
14.2.5	Clearing the Alarm History	14-45
14.2.6	Resetting Alarms Detected in Option Modules	14-46
14.2.7	Resetting Motor Type Alarms	14-48
14.3	Warning Displays	14-49
14.3.1	List of Warnings	14-49
14.3.2	Troubleshooting Warnings	14-50

14.4	Troubleshooting Based on the Operation and Conditions of the Servomotor. . .	14-56
-------------	---	--------------

15

Parameter Lists

15.1	List of Parameters	15-2
15.1.1	Interpreting the Parameter Lists	15-2
15.1.2	List of Parameters	15-3
15.2	Parameter Recording Table	15-26

16

Appendices

16.1	Corresponding SERVOPACK and SigmaWin+ Function Names . .	16-2
16.1.1	Corresponding SERVOPACK Utility Function Names.	16-2
16.1.2	Corresponding SERVOPACK Monitor Display Function Names	16-3
16.2	DeviceNet Object Model	16-5
16.3	DeviceNet Attributes	16-7
16.3.1	Identity Object.	16-7
16.3.2	Message Router Object.	16-7
16.3.3	DeviceNet Object	16-8
16.3.4	Assembly Objects	16-9
16.3.5	Connection Objects.	16-9
16.3.6	Position Controller Supervisor Object	16-11
16.3.7	Position Controller Object	16-12
16.3.8	Block Sequencer Object	16-14
16.3.9	Command Block Objects.	16-15
16.3.10	Control Parameter Object	16-16
16.3.11	SERVOPACK Parameter Object.	16-17
16.4	Relationship between Parameters and Attributes	16-23
16.5	Relation between Alarm Codes and Alarm Numbers.	16-28

Index

Revision History

Basic Information

1

This chapter provides basic information, including an introduction to the DeviceNet Modules, the names of parts, and combinations with Servomotors.

1.1	The Σ-7 Series	1-3
1.2	Introduction to the DeviceNet Module	1-4
1.2.1	DeviceNet Terminology	1-4
1.2.2	Data Types	1-4
1.3	Interpreting the Nameplate	1-5
1.3.1	SERVOPACK Nameplate	1-5
1.3.2	DeviceNet Module Nameplate	1-5
1.4	Part Names	1-6
1.5	Interpreting Panel Displays	1-8
1.5.1	Panel Displays	1-8
1.5.2	LED Indicators	1-9
1.6	Model Designations	1-10
1.6.1	Interpreting SERVOPACK Model Numbers	1-10
1.6.2	Interpreting DeviceNet Module Model Numbers	1-11
1.6.3	Interpreting Servomotor Model Numbers	1-12

1.7	Combinations of SERVOPACKs and Servomotors . .	1-13
1.7.1	Combinations of Rotary Servomotors and SERVOPACKs	1-13
1.7.2	Combinations of Direct Drive Servomotors and SERVOPACKs	1-14
1.7.3	Combinations of Linear Servomotors and SERVOPACKs	1-16
1.8	Functions	1-18

1.1 The Σ -7 Series

The Σ -7-Series SERVOPACKs are designed for applications that require frequent high-speed and high-precision positioning. The SERVOPACK will make the most of machine performance in the shortest time possible, thus contributing to improving productivity.

The Σ -7-Series Command Option Attachable-Type SERVOPACKs can be combined with Σ -V-Series Option Modules to achieve the required control capabilities.



Note

This manual describes the application of a Command Option Attachable-Type SERVOPACK used in combination with a DeviceNet Module.

1.2 Introduction to the DeviceNet Module



Note

A DeviceNet Module can be attached only to a Command Option Attachable-Type SERVOPACK.

You can attach the DeviceNet Module to a Command Option Attachable-Type SERVOPACK to use the SERVOPACK as a slave in DeviceNet communications.*

This will allow you to send positioning references and origin return commands from the host device that functions as the DeviceNet master.

There are two models of DeviceNet Modules. Each has a different power supply method.

- DeviceNet Module driven by control power supply: Power is supplied to this DeviceNet Module from the control power supply of the SERVOPACK.
- DeviceNet Module driven by external power supply: Power is supplied to this DeviceNet Module from the communications power supply on the DeviceNet communications cable.

* DeviceNet communications are used worldwide as a global standard for FA field network communications. DeviceNet communications allow you to easily communicate between a wide range of devices from different vendors.

1.2.1 DeviceNet Terminology

The following table lists the DeviceNet terms that are used in this manual.

Term	Meaning
ODVA	Open DeviceNet Vendor Association: This vendor association was established to promote DeviceNet, a CAN field network.
CAN	Controller Area Network: The CAN protocol was created by the ISO to standardize serial communications.
CCW	Counterclockwise.
CW	Clockwise.
I/O communications	One of the communications methods that is used for DeviceNet communications. Data is sent and received cyclically with relatively high priority.
Explicit message communications	One of the communications methods that is used for DeviceNet communications. You can change or read attributes, but priority is relatively low.

1.2.2 Data Types

The following table describes the data types that are used in this manual.

Data Type	Description
BOOL	Boolean data, which has one of two logical values, TRUE or FALSE
USINT	Unsigned 8-bit integer
UINT	Unsigned 16-bit integer
UDINT	Unsigned 32-bit integer
INT	Signed 16-bit integer
DINT	Signed 32-bit integer
WORD	16-bit bit string
STRING	Text string of single-byte characters*

* The data size depends on the length of the text string.

1.3 Interpreting the Nameplate

The following basic information is provided on the nameplate.

1.3.1 SERVOPACK Nameplate

Annotations:

- SERVOPACK model →
- Degree of protection ←
- Surrounding air temperature ←
- BTO information →
- Order number →
- Serial number →

SERVOPACK MODEL SGD7S-1R6AE0A001		IP20
INPUT MAIN	1PH/3PH 200-240V 50/60Hz	SURROUNDING AIR TEMPERATURE 0 to 55°C
	1PH: 2.4A 3PH: 1.3A	
CONT.	1PH 200-240V 50/60Hz 0.2A	
OUTPUT 3PH	0-240V 0-500Hz	
	1.6A 200W	
***** BTO/N ***** ***** ***** ***** O/N ***** S/N *****		
UL CERTIFIED SALES U.S.A. E147823 CE TUV		
YASKAWA ELECTRIC CORPORATION 2-1 Kurosakishiroishi, Yahatanishi-ku, Kitakyusyu 806-0004 Japan MADE IN JAPAN		

1.3.2 DeviceNet Module Nameplate

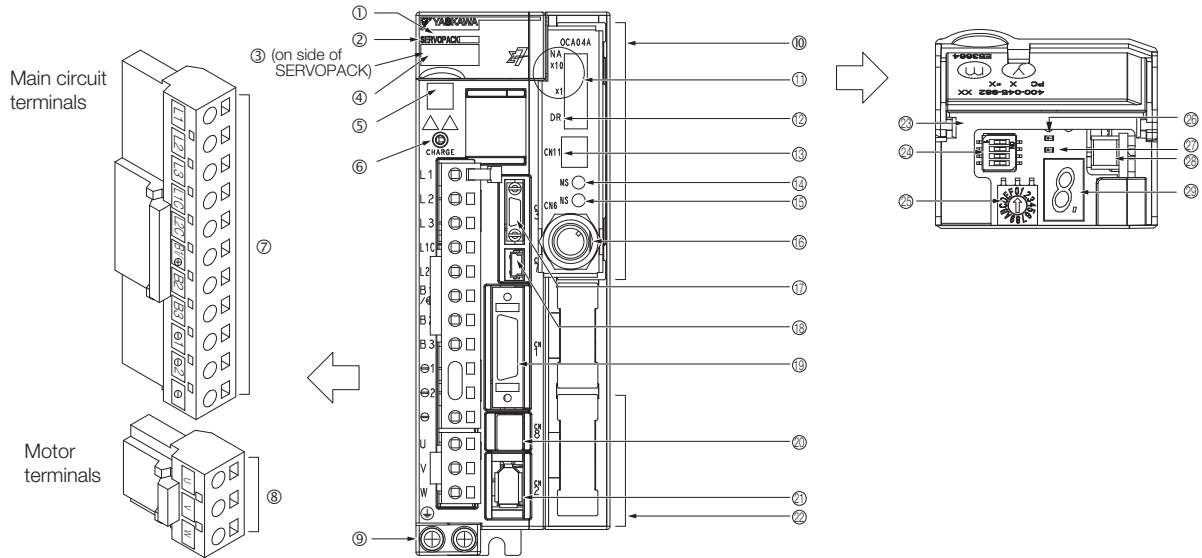
Annotations:

- Name →
- Option Module model →
- Serial number →

SERVOPACK	IP**
OPTION MODULE	
MODEL SGD7S-1R6AE0A001	

O/N *****	
S/N *****	
CE YASKAWA ELECTRIC CORPORATION MADE IN JAPAN 2-1 Kurosakishiroishi, Yahatanishi-ku, Kitakyusyu 806-0004 Japan	

1.4 Part Names



No.	Name	Description	Reference
①	Front Cover	—	—
②	Input Voltage	—	—
③	Nameplate	Indicates the SERVOPACK model and ratings.	page 1-5
④	Model	The model of the SERVOPACK.	page 1-10
⑤	QR Code	The QR code that is used by the MechatroCloud service.	—
⑥	CHARGE	Lit while the main circuit power is being supplied. Note: Even if you turn OFF the main circuit power supply, this indicator will be lit as long as the internal capacitor remains charged. Do not touch the main circuit or motor terminals while this indicator is lit. Doing so may result in electric shock.	—
⑦	Main Circuit Terminals	The terminals depend on the main circuit power supply input specifications of the SERVOPACK.	page 4-11
⑧	Servomotor Terminals (U, V, and W)	The connection terminals for the Servomotor Main Circuit Cable (power line).	page 4-24
⑨	Ground Terminal (⊕)	The ground terminals to prevent electric shock. Always connect this terminal.	—
⑩	DeviceNet Module	—	—
⑪	Rotary Switches (NA x10 and x1)	Use these switches to set the node address for DeviceNet communications.	page 13-3
⑫	Rotary Switch (DR)	Use this switch to set the baud rate for DeviceNet communications.	page 13-4
⑬	I/O Signal Connector (CN11)	Not used.	—
⑭	MS Indicator	Shows the status of the Module.	page 1-9
⑮	NS Indicator	Shows the status of the DeviceNet network.	
⑯	DeviceNet Communications Connector (CN6)	Used to connect to devices that comply with DeviceNet specifications.	page 4-44
⑰	Serial Communications Connector (CN3)	Used to connect to the Digital Operator (a peripheral device).	page 4-46
⑱	Computer Connector (CN7)	A USB connector to connect a computer.	page 4-46
⑲	I/O Signal Connector (CN1)	Connects to sequence I/O signals.	page 4-32
⑳	Safety Connector (CN8)	Connects to a safety function device.	page 4-37
㉑	Encoder Connector (CN2)	<ul style="list-style-type: none"> Rotary Servomotor: Connects to the encoder in the Servomotor. Linear Servomotor: Connects to a Serial Converter Unit or linear encoder. 	page 4-24
㉒	Fully-Closed Option Module	Connected to perform fully-closed control.	—

Continued on next page.

Continued from previous page.

No.	Name	Description	Reference
⑳	Serial Number	–	–
㉑	DIP Switch	Not used.	–
㉒	Rotary Switch	Not used.	–
㉓	PWR	Lights when the control power is being supplied.	–
㉔	COM	Not used. (Never lit.)	–
㉕	Analog Monitor Connector (CN5)	You can use a special cable (peripheral device) to monitor the motor speed, torque reference, or other values.	page 4-46
㉖	Panel Display	Displays the servo status with a seven-segment display.	–

1.5 Interpreting Panel Displays

1.5.1 Panel Displays

You can check the Servo Drive status on the panel display of the SERVOPACK.
 Also, if an alarm or warning occurs, the alarm or warning number will be displayed.

Interpreting Status Displays

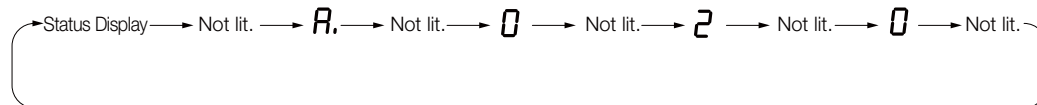
The status is displayed as described below.

Display	Meaning	Display	Meaning
	Rotation Detection Display Lit if the Servomotor speed is higher than the setting of Pn502 or Pn581 and not lit if the speed is lower than the setting. (The default setting is 20 min ⁻¹ or 20 mm/s.)		Reference Input Display Lit while a reference is being input.
	Base Block Display Lit during the base block state (servo OFF). Not lit while the servo is ON.		Connected Display Lit while there is a connection.

Alarm and Warning Displays

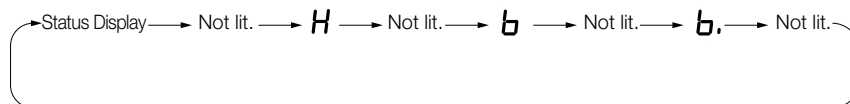
If there is an alarm or warning, the display will change in the following order.

Example: Alarm A.020



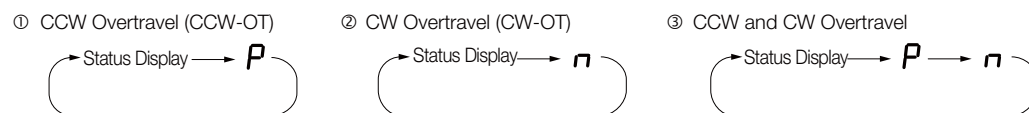
Hard Wire Base Block Active Display

If a hard wire base block (HWBB) is active, the display will change in the following order.



Overtravel Display

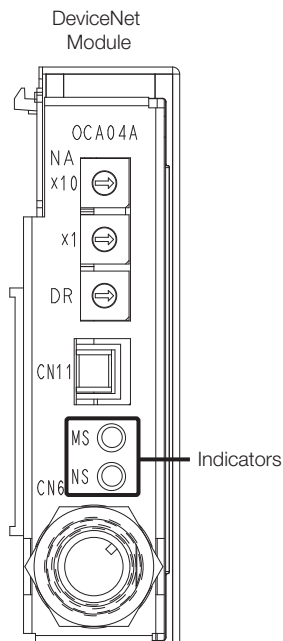
If overtravel has occurred, the display will change in the following order.



1.5.2 LED Indicators

The DeviceNet Module is equipped with two LED indicators: a Module status indicator to indicate the status of the DeviceNet Module, and a network status indicator to indicate the status of DeviceNet communications. Both of these indicators use two-color LEDs (red and green).

The LED indicator specifications conform to the ODVA DeviceNet Specification Release 2.0.



Module Status (MS) Indicator

The MS indicator shows the status of the DeviceNet Module.

Indicator	Status
Not lit.	The SERVOPACK's control power supply is turned OFF.
Lit green.	The SERVOPACK is operating normally.
Flashing green.	The SERVOPACK is initializing.
Flashing red.	Minor SERVOPACK failure.*
Lit red.	Major SERVOPACK failure.*
Alternately flashing red and green.	The SERVOPACK is performing self-diagnosis.

* Refer to the following chapter for details.

Chapter 14 Maintenance

Network Status (NS) Indicator

The NS indicator shows the status of DeviceNet communications.

Indicator	Status
Not lit.	The SERVOPACK's control power supply is turned OFF or the SERVOPACK is not online.
Flashing green.	The SERVOPACK is online but it is not connected to the master.
Lit green.	The SERVOPACK is online and it is connected to the master.
Flashing red.	Connection to the master has timed out.*
Lit red.	A fatal error has occurred in DeviceNet communications.*

* Refer to the following chapter for details.

Chapter 14 Maintenance

1.6 Model Designations

1.6.1 Interpreting SERVOPACK Model Numbers



1st+2nd+3rd digits Maximum Applicable Motor Capacity

Voltage	Code	Specification
Three-Phase, 200 VAC	R70*1	0.05 kW
	R90*1	0.1 kW
	1R6*1	0.2 kW
	2R8*1	0.4 kW
	3R8	0.5 kW
	5R5*1	0.75 kW
	7R6	1.0 kW
	120*2	1.5 kW
	180	2.0 kW
	200	3.0 kW
	330	5.0 kW
	470	6.0 kW
	550	7.5 kW
590	11 kW	
780	15 kW	
Single-Phase, 100 VAC	R70	0.05 kW
	R90	0.1 kW
	2R1	0.2 kW
	2R8	0.4 kW

4th digit Voltage

Code	Specification
A	200 VAC
F	100 VAC

5th+6th digits Interface*3

Code	Specification
E0	Command option attachable type

7th digit Design Revision Order

A

8th+9th+10th digits Hardware Options Specification

Code	Specification	Applicable Models
None 000	Without options	All models
001	Rack-mounted	SGD7S-R70A to -330A SGD7S-R70F to -2R8F
	Duct-ventilated	SGD7S-470A to -780A
002	Varnished	All models
008	Single-phase, 200-VAC power supply input	SGD7S-120A
020*4	No dynamic brake	SGD7S-R70A to -2R8A SGD7S-R70F to -2R8F
	External dynamic brake resistor	SGD7S-3R8A to -780A

11th+12th+13th digits FT/EX Specification

Code	Specification
None 000	None

14th digit BTO Specification*5

Code	Specification
None	None
B	BTO specification

*1. You can use these models with either a single-phase or three-phase input.

*2. A model with a single-phase, 200-VAC power supply input is available as a hardware option (model: SGD7S-120A00A008).

*3. The same SERVOPACKs are used for both Rotary Servomotors and Linear Servomotors.

*4. Refer to the following manual for details.

📖 Σ-7-Series AC Servo Drive Σ-7S/Σ-7W SERVOPACK with Dynamic Brake Hardware Option Specifications Product Manual (Manual No.: SIEP S800001 73)

*5. The BTO specification indicates if the SERVOPACK is customized by using the MechatroCloud BTO service. This service is available on the e-mechatronics website. You need a BTO number to order SERVOPACKs with customized specifications.

Refer to the following catalog for details on the BTO specification.

📖 AC Servo Drives Σ-7 Series (Manual No.: KAEP S800001 23)

1.6.2 Interpreting DeviceNet Module Model Numbers



1st+2nd digits Board Type

Code	Specification
OC	Command Option Module

3th+4th+5th digits Interface*2

Code	Specification
A04	DeviceNet driven by control power supply
A05	DeviceNet driven by external power supply

6th digit Design Revision Order

A

*1. Σ-V-Series Modules are used with Σ-7-Series SERVOPACKs.

*2. The same DeviceNet Modules are used for both Rotary Servomotors and Linear Servomotors.

1.6.3 Interpreting Servomotor Model Numbers

This section outlines the model numbers of Σ -7-series Servomotors. Refer to the relevant manual in the following list for details.

📖 Σ -7-Series Rotary Servomotor Product Manual (Manual No.: SIEP S800001 36)

📖 Σ -7-Series Linear Servomotor Product Manual (Manual No.: SIEP S800001 37)

📖 Σ -7-Series Direct Drive Servomotor Product Manual (Manual No.: SIEP S800001 38)

Rotary Servomotors

SGM□□ - 01 A F A 2 1

Series	1st+2nd digits	3rd digit	4th digit	5th digit	6th digit	7th digit
Series Σ -7 Series Servomotors	1st+2nd digits Rated Output	3rd digit Power Supply Voltage	4th digit Serial Encoder Specification	5th digit Design Revision Order	6th digit Shaft End Specification	7th digit Option Specification

Code	Specification
SGMMV	Low inertia , ultra-small capacity
SGM7J	Medium inertia, high speed
SGM7A	Low inertia, high speed
SGM7P	Medium inertia, flat
SGM7G	Medium inertia, low speed, high torque

- 200 VAC
- 17-bit absolute encoder
- 24-bit batteryless absolute encoder
- 24-bit absolute encoder
- 24-bit incremental encoder
- Straight
- With key and tap
- With two flat seats
- With 24-V holding brake
- With oil seal

Direct Drive Servomotors

SGM□□ - 02 B 3 C 1 1

Series	1st+2nd digits	3rd digit	4th digit	5th digit	6th digit	7th digit
Series Σ -7 Series Servomotors	1st+2nd digits Rated Torque	3rd digit Servomotor Outer Diameter	4th digit Serial Encoder Specification	5th digit Design Revision Order	6th digit Flange Specification	7th digit Option Specification

Code	Specification
SGM7E	Small capacity, coreless inner rotor
SGM7F	Small capacity, inner rotor with core
	Medium capacity, with core inner rotor
SGM7CV	Small capacity, with core inner rotor
SGM7CS	Small capacity, coreless inner rotor
	Medium capacity, with core inner rotor

- Cable drawn to load side
- Cable drawn to non-load side
- High mechanical precision

Linear Servomotors

SGL □ □ - 30 A 050 C P □

Series	1st digit	2nd digit	3rd digit on
Series Σ -7 Series Servomotors	1st digit Servomotor Type	2nd digit Moving Coil/Magnetic Way	3rd digit on

Code	Specification
G	Coreless models
F	Models with F-type iron core
T	Models with T-type iron core

Code	Specification
W	Moving Coil
W2	
M	Magnetic Way
M2	

The specifications for the 3rd digit on depend on the Servomotor type.

1.7

Combinations of SERVOPACKs and Servomotors

1.7.1

Combinations of Rotary Servomotors and SERVOPACKs

Rotary Servomotor Model		Capacity	SERVOPACK Model
			SGD7S-
SGMMV (Low Inertia, Ultra-small Capacity), 3,000 min ⁻¹	SGMMV-A1A	10 W	R90A or R90F
	SGMMV-A2A	20 W	
	SGMMV-A3A	30 W	1R6A or 2R1F
SGM7J (Medium Inertia, Small Capacity), 3,000 min ⁻¹	SGM7J-A5A	50 W	R70A or R70F
	SGM7J-01A	100 W	R90A or R90F
	SGM7J-C2A	150 W	1R6A or 2R1F
	SGM7J-02A	200 W	
	SGM7J-04A	400 W	2R8A or 2R8F
	SGM7J-06A	600 W	5R5A
	SGM7J-08A	750 W	
SGM7A (Low Inertia, Small Capacity), 3,000 min ⁻¹	SGM7A-A5A	50 W	R70A or R70F
	SGM7A-01A	100 W	R90A or R90F
	SGM7A-C2A	150 W	1R6A or 2R1F
	SGM7A-02A	200 W	
	SGM7A-04A	400 W	2R8A or 2R8F
	SGM7A-06A	600 W	5R5A
	SGM7A-08A	750 W	
	SGM7A-10A	1.0 kW	120A
	SGM7A-15A	1.5 kW	180A
	SGM7A-20A	2.0 kW	200A
	SGM7A-25A	2.5 kW	330A
	SGM7A-30A	3.0 kW	
	SGM7A-40A	4.0 kW	550A
	SGM7A-50A	5.0 kW	
	SGM7A-70A	7.0 kW	
SGM7P (Medium Inertia, Flat), 3,000 min ⁻¹	SGM7P-01A	100 W	R90A or R90F
	SGM7P-02A	200 W	2R8A or 2R1F
	SGM7P-04A	400 W	2R8A or 2R8F
	SGM7P-08A	750 W	5R5A
	SGM7P-15A	1.5 kW	120A
SGM7G (Medium Inertia, Medium Capacity), 1,500 min ⁻¹	SGM7G-03A	300 W	3R8A
	SGM7G-05A	450 W	
	SGM7G-09A	850 W	7R6A
	SGM7G-13A	1.3 kW	120A
	SGM7G-20A	1.8 kW	180A
	SGM7G-30A*	2.4 kW	200A
		2.9 kW	330A
	SGM7G-44A	4.4 kW	470A
	SGM7G-55A	5.5 kW	550A
	SGM7G-75A	7.5 kW	590A
	SGM7G-1AA	11 kW	780A
SGM7G-1EA	15 kW		

* The capacity depends on the SERVOPACK that is used with the Servomotor.

1.7.2 Combinations of Direct Drive Servomotors and SERVOPACKs


Direct Drive Servomotor Model		Rated Torque [N·m]	Instantaneous Maximum Torque [N·m]	SERVOPACK Model
				SGD7S-
SGM7E (Small Capacity, Coreless, Inner Rotor)	SGM7E-02B	2	6	2R8A or 2R1F
	SGM7E-05B	5	15	
	SGM7E-07B	7	21	
	SGM7E-04C	4	12	2R8A or 2R8F
	SGM7E-10C	10	30	
	SGM7E-14C	14	42	
	SGM7E-08D	8	24	
	SGM7E-17D	17	51	
	SGM7E-25D	25	75	
	SGM7E-16E	16	48	5R5A
	SGM7E-35E	35	105	
SGM7F (Small Capacity, With Core)	SGM7F-02A	2	6	2R8A or 2R1F
	SGM7F-05A	5	15	
	SGM7F-07A	7	21	2R8A or 2R8F
	SGM7F-04B	4	12	
	SGM7F-10B	10	30	
	SGM7F-14B	14	42	5R5A
	SGM7F-08C	8	24	2R8A or 2R8F
	SGM7F-17C	17	51	5R5A
	SGM7F-25C	25	75	7R6A
	SGM7F-16D	16	48	5R5A
	SGM7F-35D	35	105	7R6A* or 120A
SGM7F (Medium Capacity, With Core, Inner Rotor)	SGM7F-45M	45	135	7R6A
	SGM7F-80M	80	240	120A
	SGM7F-80N	80	240	
	SGM7F-1AM	110	330	180A
	SGM7F-1EN	150	450	200A
	SGM7F-2ZN	200	600	
SGM7F (Small Capacity, With Core)	SGM7F-04B	4	12	2R8A or 2R8F
	SGM7F-10B	10	30	
	SGM7F-14B	14	42	5R5A
	SGM7F-08C	8	24	2R8A or 2R8F
	SGM7F-17C	17	51	5R5A
	SGM7F-25C	25	75	7R6A
	SGM7F-16D	16	48	5R5A
	SGM7F-35D	35	105	7R6A* or 120A

Continued on next page.

Continued from previous page.

Direct Drive Servomotor Model		Rated Torque [N·m]	Instantaneous Maximum Torque [N·m]	SERVOPACK Model
				SGD7S-
SGMCS (Small Capacity, Coreless)	SGMCS-02B	2	6	2R8A or 2R1F
	SGMCS-05B	5	15	
	SGMCS-07B	7	21	
	SGMCS-04C	4	12	2R8A or 2R8F
	SGMCS-10C	10	30	
	SGMCS-14C	14	42	
	SGMCS-08D	8	24	
	SGMCS-17D	17	51	
	SGMCS-25D	25	75	
	SGMCS-16E	16	48	5R5A
	SGMCS-35E	35	105	
SGMCS (Medium Capacity, With Core)	SGMCS-45M	45	135	7R6A
	SGMCS-80M	80	240	120A
	SGMCS-80N	80	240	
	SGMCS-1AM	110	330	180A
	SGMCS-1EN	150	450	200A
	SGMCS-2ZN	200	600	

* Use derated values for this combination. Refer to the following catalog for information on derating values.

 AC Servo Drives Σ -7 Series (Catalog No.: KAEP S800001 23)

1.7.3 Combinations of Linear Servomotors and SERVOPACKs

Linear Servomotor Model		Rated Torque [N]	Instantaneous Maximum Torque [N]	SERVOPACK Model
				SGD7S-
SGLG (Coreless), Used with Standard-Force Magnetic Way	SGLGW-30A050C	12.5	40	R70A or R70F
	SGLGW-30A080C	25	80	R90A or R90F
	SGLGW-40A140C	47	140	
	SGLGW-40A253C	93	280	1R6A or 2R1F
	SGLGW-40A365C	140	420	2R8A or 2R8F
	SGLGW-60A140C	70	220	1R6A or 2R1F
	SGLGW-60A253C	140	440	2R8A or 2R8F
	SGLGW-60A365C	210	660	5R5A
	SGLGW-90A200C	325	1300	120A
	SGLGW-90A370C	550	2200	180A
	SGLGW-90A535C	750	3000	200A
SGLG (Coreless), Used with High-Force Magnetic Way	SGLGW-40A140C	57	230	1R6A or 2R1F
	SGLGW-40A253C	114	460	2R8A or 2R8F
	SGLGW-40A365C	171	690	3R8A
	SGLGW-60A140C	85	360	1R6A or 2R1F
	SGLGW-60A253C	170	720	3R8A
	SGLGW-60A365C	255	1080	7R6A
SGLF (With F-type Iron Cores)	SGLFW-20A090A	25	86	1R6A or 2R1F
	SGLFW-20A120A	40	125	
	SGLFW-35A120A	80	220	
	SGLFW-35A230A	160	440	3R8A
	SGLFW-50A200B	280	600	5R5A
	SGLFW-50A380B	560	1200	120A
	SGLFW-1ZA200B			
	SGLFW-1ZA380B	1120	2400	200A
	SGLFW2-30A070A	45	135	1R6A or 2R1F
	SGLFW2-30A120A	90	270	
	SGLFW2-30A230A*	180	540	
	SGLFW2-30A230A*	170	500	2R8A or 2R8F
		SGLFW2-45A200A	280	840
	SGLFW2-45A380A*	560	1680	180A
			1500	120A
	SGLFW2-90A200A	560	1680	
SGLFW2-90A380A	1120	3360	200A	
SGLFW2-1DA380A	1680	5040		

Continued on next page.

Continued from previous page.

Linear Servomotor Model		Rated Torque [N]	Instantaneous Maximum Torque [N]	SERVOPACK Model
				SGD7S-
SGLT (With T-type Iron Cores)	SGLTW-20A170A	130	380	3R8A
	SGLTW-20A320A	250	760	7R6A
	SGLTW-20A460A	380	1140	120A
	SGLTW-35A170A	220	660	5R5A
	SGLTW-35A170H	300	600	
	SGLTW-35A320A	440	1320	120A
	SGLTW-35A320H	600	1200	
	SGLTW-35A460A	670	2000	180A
	SGLTW-40A400B	670	2600	
	SGLTW-40A600B	1000	4000	330A
	SGLTW-50A170H	450	900	5R5A
	SGLTW-50A320H	900	1800	120A
	SGLTW-80A400B	1300	5000	330A
	SGLTW-80A600B	2000	7500	550A

* The force depends on the SERVOPACK that is used with the Servomotor.

1.8 Functions

This section lists the functions provided by SERVOPACKs. Refer to the reference pages for details on the functions.

- **Functions Related to the Machine**

Function	Reference
Power Supply Type Settings for the Main Circuit and Control Circuit	page 5-13
Automatic Detection of Connected Motor	page 5-15
Motor Direction Setting	page 5-16
Linear Encoder Pitch Setting	page 5-17
Writing Linear Servomotor Parameters	page 5-18
Selecting the Phase Sequence for a Linear Servomotor	page 5-22
Polarity Sensor Setting	page 5-24
Polarity Detection	page 5-25
Overtravel Function and Settings	page 5-28
Holding Brake	page 5-30
Motor Stopping Methods for Servo OFF and Alarms	page 5-34
Resetting the Absolute Encoder	page 5-45
Setting the Origin of the Absolute Encoder	page 5-48, page 12-5
Setting the Regenerative Resistor Capacity	page 5-51
Operation for Momentary Power Interruptions	page 6-5
SEMI F47 Function	page 6-6
Setting the Motor Maximum Speed	page 6-8
Software Limits and Settings	page 6-16
Multiturn Limit Setting	page 6-19
Adjustment of Motor Current Detection Signal Offset	page 6-30
EXSTOP (External Stop Input) Signal	page 6-34
Overheat Protection	page 6-35
Speed Ripple Compensation	page 8-60
Current Control Mode Selection	page 8-73
Current Gain Level Setting	page 8-73
Speed Detection Method Selection	page 8-73
Fully-Closed Loop Control	page 10-1
Safety Functions	page 11-1
External Latches	-

- **Functions Related to the Host Controller**

Function	Reference
Electronic Gear Settings	page 5-40
Servo Alarm (ALM) Signal	page 6-3
Warning Output (/WARN) Signal	page 6-3
/S-RDY (Servo Ready) Signal	page 6-4
Encoder Divided Pulse Output	page 6-9
Selecting Torque Limits	page 6-17
Vibration Detection Level Initialization	page 6-26
Alarm Reset	page 14-43
Replacing the Battery	page 14-2

Continued on next page.

Continued from previous page.

Function	Reference
Setting the Position Deviation Overflow Alarm Level	page 8-7

- **Functions to Achieve Optimum Motions**

Function	Reference
Tuning-less Function	page 8-11
Automatic Adjustment without a Host Reference	page 8-23
Automatic Adjustment with a Host Reference	page 8-34
Custom Adjustment	page 8-42
Anti-Resonance Control Adjustment	page 8-51
Vibration Suppression	page 8-56
Gain Selection	page 8-66
Friction Compensation	page 8-69
Backlash Compensation	page 8-74
Model Following Control	page 8-86
Compatible Adjustment Functions	page 8-89
Mechanical Analysis	page 8-93
Easy FFT	page 8-95

- **Functions for Trial Operation during Setup**

Function	Reference
Software Reset	page 6-24
Trial Operation of Servomotor without a Load	page 7-6
Program Jogging	page 7-12
Origin Search	page 7-18
Test without a Motor	page 7-20
Monitoring Machine Operation Status and Signal Waveforms	page 9-7

- **Functions for Inspection and Maintenance**

Function	Reference
Write Prohibition Setting for Parameters	page 5-8
Initializing Parameter Settings	page 5-10
Automatic Detection of Connected Motor	page 5-15
Monitoring Product Information	page 9-2
Monitoring Product Life	page 9-2
Alarm History Display	page 14-44
Alarm Tracing	page 9-16

- **DeviceNet Functions**

Function	Reference
Origin Returns	page 12-3
Positioning	page 12-6
Positioning after Continuous Operation	page 12-13
Special Functions	page 12-16
Programmed Operation	page 13-23

Selecting a SERVOPACK

2

This chapter provides information required to select SERVOPACKs, such as specifications, block diagrams, dimensional drawings, and connection examples.

2.1 Ratings and Specifications 2-2

- 2.1.1 Ratings 2-2
- 2.1.2 DeviceNet Module Power Loss 2-5
- 2.1.3 SERVOPACK Overload Protection
Characteristics 2-6
- 2.1.4 Specifications 2-7

2.2 Block Diagrams 2-11

- 2.2.1 SGD7S-R70A, -R90A, and -1R6A 2-11
- 2.2.2 SGD7S-2R8A 2-11
- 2.2.3 SGD7S-3R8A, -5R5A, and -7R6A 2-12
- 2.2.4 SGD7S-120A 2-13
- 2.2.5 SGD7S-180A and -200A 2-15
- 2.2.6 SGD7S-330A 2-16
- 2.2.7 SGD7S-470A and -550A 2-17
- 2.2.8 SGD7S-590A and -780A 2-18
- 2.2.9 SGD7S-R70F, -R90F, and -2R1F 2-19
- 2.2.10 SGD7S-2R8F 2-19

2.3 External Dimensions 2-20

- 2.3.1 Front Cover Dimensions and Connector
Specifications 2-20
- 2.3.2 SERVOPACK External Dimensions 2-20
- 2.3.3 DeviceNet Module External Dimensions and
Connector Specifications 2-26

2.4 Examples of Standard Connections between SERVOPACKs and Peripheral Devices . . 2-27

2.1 Ratings and Specifications

This section gives the ratings and specifications of SERVOPACKs.

2.1.1 Ratings

Three-Phase, 200 VAC

Model SGD7S-		R70A	R90A	1R6A	2R8A	3R8A	5R5A	7R6A	120A	180A	200A	330A	
Maximum Applicable Motor Capacity [kW]		0.05	0.1	0.2	0.4	0.5	0.75	1.0	1.5	2.0	3.0	5.0	
Continuous Output Current [Arms]		0.66	0.91	1.6	2.8	3.8	5.5	7.6	11.6	18.5	19.6	32.9	
Instantaneous Maximum Output Current [Arms]		2.1	3.2	5.9	9.3	11	16.9	17	28	42	56	84	
Main Circuit	Power Supply	200 VAC to 240 VAC, -15% to +10%, 50 Hz/60 Hz											
	Input Current [Arms]*	0.4	0.8	1.3	2.5	3.0	4.1	5.7	7.3	10	15	25	
Control	Power Supply	200 VAC to 240 VAC, -15% to +10%, 50 Hz/60 Hz											
	Input Current [Arms]*	0.2	0.2	0.2	0.2	0.2	0.2	0.2	0.2	0.25	0.25	0.3	
Power Supply Capacity [kVA]*		0.2	0.3	0.5	1.0	1.3	1.6	2.3	3.2	4.0	5.9	7.5	
Power Loss*	Main Circuit Power Loss [W]	5.0	7.0	11.9	22.5	28.5	38.9	49.2	72.6	104.2	114.2	226.6	
	Control Circuit Power Loss [W]	12	12	12	12	14	14	14	15	16	16	19	
	Built-in Regenerative Resistor Power Loss [W]	–	–	–	–	8	8	8	10	16	16	36	
	Total Power Loss [W]	17.0	19.0	23.9	34.5	50.5	60.9	71.2	97.6	136.2	146.2	281.6	
Regenerative Resistor	Built-In Regenerative Resistor	Resistance [Ω]	–	–	–	–	40	40	40	20	12	12	8
		Capacity [W]	–	–	–	–	40	40	40	60	60	60	180
	Minimum Allowable External Resistance [Ω]	40	40	40	40	40	40	40	40	20	12	12	8
Overvoltage Category		III											

* This is the net value at the rated load.

Model SGD7S-		470A	550A	590A	780A
Maximum Applicable Motor Capacity [kW]		6.0	7.5	11	15
Continuous Output Current [Arms]		46.9	54.7	58.6	78.0
Instantaneous Maximum Output Current [Arms]		110	130	140	170
Main Circuit	Power Supply	200 VAC to 240 VAC, -15% to +10%, 50 Hz/60 Hz			
	Input Current [Arms]* ¹	29	37	54	73
Control	Power Supply	200 VAC to 240 VAC, -15% to +10%, 50 Hz/60 Hz			
	Input Current [Arms]* ¹	0.3	0.3	0.4	0.4
Power Supply Capacity [kVA]* ¹		10.7	14.6	21.7	29.6

Continued on next page.

Continued from previous page.

Model SGD7S-		470A	550A	590A	780A	
Power Loss* ¹	Main Circuit Power Loss [W]	271.7	326.9	365.3	501.4	
	Control Circuit Power Loss [W]	21	21	28	28	
	External Regenerative Resistor Power Loss [W]	180* ²	350* ³	350* ³	350* ³	
	Total Power Loss [W]	292.7	347.9	393.3	529.4	
Regenerative Resistor	External Regenerative Resistor	Resistance [Ω]	6.25* ²	3.13* ³	3.13* ³	3.13* ³
		Capacity [W]	880* ²	1760* ³	1760* ³	1760* ³
	Minimum Allowable External Resistance [Ω]	5.8	2.9	2.9	2.9	
Overvoltage Category		III				

*1. This is the net value at the rated load.

*2. This value is for the optional JUSP-RA04-E Regenerative Resistor Unit.

*3. This value is for the optional JUSP-RA05-E Regenerative Resistor Unit.

Single-Phase, 200 VAC

Model SGD7S-		R70A	R90A	1R6A	2R8A	5R5A	120A
Maximum Applicable Motor Capacity [kW]		0.05	0.1	0.2	0.4	0.75	1.5
Continuous Output Current [Arms]		0.66	0.91	1.6	2.8	5.5	11.6
Instantaneous Maximum Output Current [Arms]		2.1	3.2	5.9	9.3	16.9	28
Main Circuit	Power Supply	200 VAC to 240 VAC, -15% to +10%, 50 Hz/60 Hz					
	Input Current [Arms]*	0.8	1.6	2.4	5.0	8.7	16
Control	Power Supply	200 VAC to 240 VAC, -15% to +10%, 50 Hz/60 Hz					
	Input Current [Arms]*	0.2	0.2	0.2	0.2	0.2	0.25
Power Supply Capacity [kVA]*		0.2	0.3	0.6	1.2	1.9	4.0
Power Loss* ²	Main Circuit Power Loss [W]	5.0	7.1	12.1	23.7	39.2	71.8
	Control Circuit Power Loss [W]	12	12	12	12	14	16
	Built-in Regenerative Resistor Power Loss [W]	–	–	–	–	8	16
	Total Power Loss [W]	17.0	19.1	24.1	35.7	61.2	103.8
Regenerative Resistor	Built-In Regenerative Resistor	Resistance [Ω]	–	–	–	40	12
		Capacity [W]	–	–	–	–	40
	Minimum Allowable External Resistance [Ω]	40	40	40	40	40	12
Overvoltage Category		III					

* This is the net value at the rated load.

270 VDC

Model SGD7S-		R70A	R90A	1R6A	2R8A	3R8A	5R5A	7R6A	120A
Maximum Applicable Motor Capacity [kW]		0.05	0.1	0.2	0.4	0.5	0.75	1.0	1.5
Continuous Output Current [Arms]		0.66	0.91	1.6	2.8	3.8	5.5	7.6	11.6
Instantaneous Maximum Output Current [Arms]		2.1	3.2	5.9	9.3	11.0	16.9	17.0	28.0
Main Circuit	Power Supply	270 VDC to 324 VDC, -15% to +10%							
	Input Current [Arms]* ¹	0.5	1.0	1.5	3.0	3.8	4.9	6.9	11
Control	Power Supply	270 VDC to 324 VDC, -15% to +10%							
	Input Current [Arms]* ¹	0.2	0.2	0.2	0.2	0.2	0.2	0.2	0.2* ²
Power Supply Capacity [kVA]* ¹		0.2	0.3	0.6	1	1.4	1.6	2.3	3.2

Continued on next page.

2.1 Ratings and Specifications

2.1.1 Ratings

Continued from previous page.

Model SGD7S-		R70A	R90A	1R6A	2R8A	3R8A	5R5A	7R6A	120A
Power Loss* ¹	Main Circuit Power Loss [W]	4.4	5.9	9.8	17.5	23.0	30.7	38.7	55.8
	Control Circuit Power Loss [W]	12	12	12	12	14	14	14	15
	Total Power Loss [W]	16.4	17.9	21.8	29.5	37.0	44.7	52.7	70.8
Overvoltage Category		III							

*1. This is the net value at the rated load.

*2. The value is 0.25 Arms for the SGD7S-120AE0A008.

Model SGD7S-		180A	200A	330A	470A	550A	590A	780A
Maximum Applicable Motor Capacity [kW]		2.0	3.0	5.0	6.0	7.5	11.0	15.0
Continuous Output Current [Arms]		18.5	19.6	32.9	46.9	54.7	58.6	78.0
Instantaneous Maximum Output Current [Arms]		42.0	56.0	84.0	110	130	140	170
Main Circuit	Power Supply	270 VDC to 324 VDC, -15% to +10%						
	Input Current [Arms]*	14	20	34	36	48	68	92
Control	Power Supply	270 VDC to 324 VDC, -15% to +10%						
	Input Current [Arms]*	0.25	0.25	0.3	0.3	0.3	0.4	0.4
Power Supply Capacity [kVA]*		4.0	5.9	7.5	10.7	14.6	21.7	29.6
Power Loss*	Main Circuit Power Loss [W]	82.7	83.5	146.2	211.6	255.3	243.6	343.4
	Control Circuit Power Loss [W]	16	16	19	21	21	28	28
	Total Power Loss [W]	98.7	99.5	165.2	232.6	276.3	271.6	371.4
Overvoltage Category		III						

* This is the net value at the rated load.

Single-Phase, 100 VAC

Model SGD7S-		R70F	R90F	2R1F	2R8F
Maximum Applicable Motor Capacity [kW]		0.05	0.1	0.2	0.4
Continuous Output Current [Arms]		0.66	0.91	2.1	2.8
Instantaneous Maximum Output Current [Arms]		2.1	3.2	6.5	9.3
Main Circuit	Power Supply	100 VAC to 120 VAC, -15% to +10%, 50 Hz/60 Hz			
	Input Current [Arms]*	1.5	2.5	5	10
Control	Power Supply	100 VAC to 120 VAC, -15% to +10%, 50 Hz/60 Hz			
	Input Current [Arms]*	0.38	0.38	0.38	0.38
Power Supply Capacity [kVA]*		0.2	0.3	0.6	1.4
Power Loss*	Main Circuit Power Loss [W]	5.3	7.8	14.2	26.2
	Control Circuit Power Loss [W]	12	12	12	12
	Total Power Loss [W]	17.3	19.8	26.2	38.2
Regenerative Resistor	Minimum Allowable Resistance [Ω]	40	40	40	40
Overvoltage Category		III			

* This is the net value at the rated load.

2.1.2 DeviceNet Module Power Loss

The power supply method and power loss of a DeviceNet Module depend on the model of the DeviceNet Module.

SGDV-OCA04A (Interface: Driven by Control Power Supply)

The specifications of the SGDV-OCA04A DeviceNet Module are given in the following table.

Item	Specification	
	DeviceNet Communications Section	Control Section
Power Supply Method	Supplied from the DeviceNet communications cable.	Supplied from the control power supply of a Command Option Attachable-Type SERVOPACK.
Minimum Operating Voltage	11 VDC	Included in the current consumption of the Command Option Attachable-Type SERVOPACK.
Maximum Operating Voltage	25 VDC	
Maximum Operating Current	25 mA	
Maximum Power Loss	625 mW	

SGDV-OCA05A (Interface: Driven by External Power Supply)

The specifications of the SGDV-OCA05A DeviceNet Module are given in the following table.

Item	Specification	
	DeviceNet Communications Section	Control Section
Power Supply Method	Supplied from the DeviceNet communications cable.	
Minimum Operating Voltage	11 VDC	
Maximum Operating Voltage	25 VDC	
Maximum Operating Current	100 mA for 24-VDC power supply 200 mA for 11-VDC power supply	
Maximum Power Loss	2.4 W	

2.1.3 SERVOPACK Overload Protection Characteristics

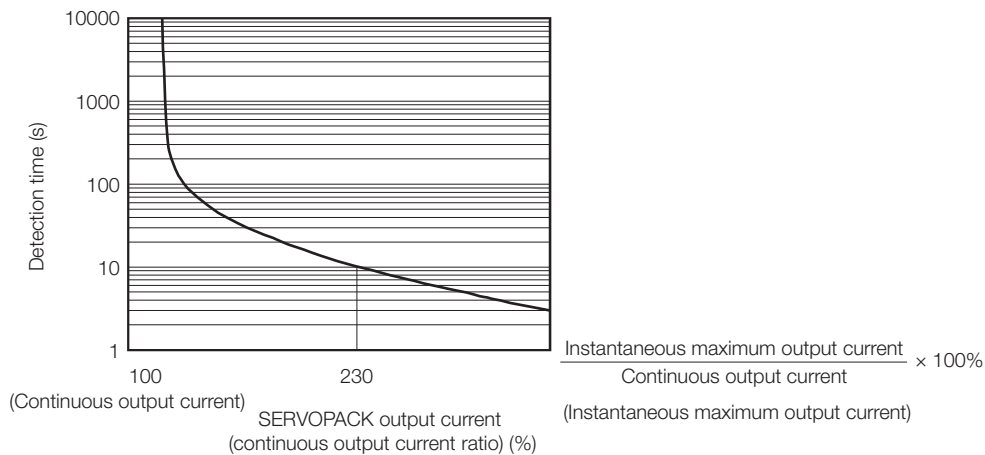
The overload detection level is set for hot start conditions with a SERVOPACK surrounding air temperature of 55°C.

An overload alarm (A.710 or A.720) will occur if overload operation that exceeds the overload protection characteristics shown in the following diagram (i.e., operation on the right side of the applicable line) is performed.

The actual overload detection level will be the detection level of the connected SERVOPACK or Servomotor that has the lower overload protection characteristics.

In most cases, that will be the overload protection characteristics of the Servomotor.

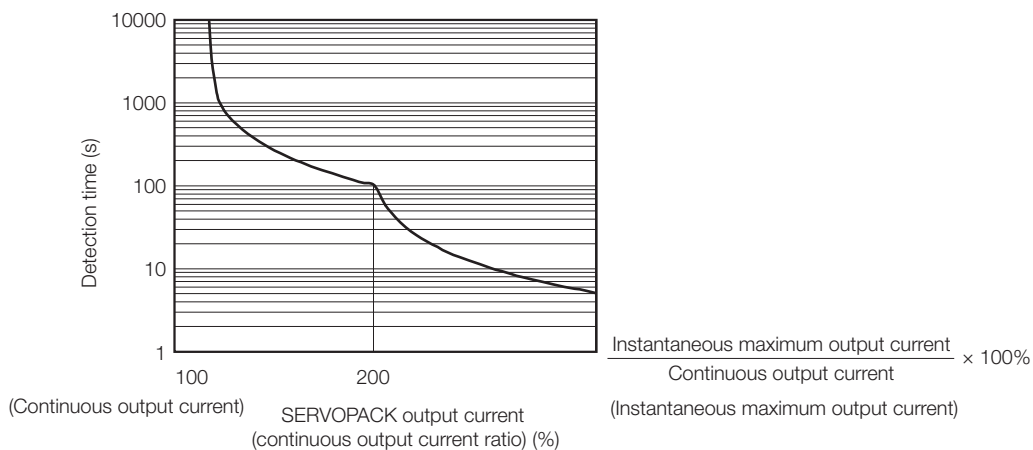
- SGD7S-R70A, -R90A, -1R6A, -2R8A, -R70F, -R90F, -2R1F, and -2R8F



Note: The above overload protection characteristics do not mean that you can perform continuous duty operation with an output of 100% or higher.

For a Yaskawa-specified combination of SERVOPACK and Servomotor, maintain the effective torque within the continuous duty zone of the torque-motor speed characteristic of the Servomotor.

- SGD7S-3R8A, -5R5A, -7R6A, -120A, -180A, -200A, -330A, -470A, -550A, -590A, and -780A




Note: The above overload protection characteristics do not mean that you can perform continuous duty operation with an output of 100% or higher.

For a Yaskawa-specified combination of SERVOPACK and Servomotor, maintain the effective torque within the continuous duty zone of the torque-motor speed characteristic of the Servomotor.

2.1.4 Specifications

The specifications when the DeviceNet Module is combined with a Command Option Attachable-Type SERVOPACK are given in the following table.


Item		Specification	
Control Method		IGBT-based PWM control, sine wave current drive	
Feedback	With Rotary Servomotor	Serial Encoders: 17 bits (absolute encoder), 20 bits or 24 bits (incremental encoder/absolute encoder), or 22 bits (absolute encoder)	
	With Linear Servomotor	<ul style="list-style-type: none"> Absolute linear encoder (The signal resolution depends on the absolute linear encoder.) Incremental linear encoder (The signal resolution depends on the incremental linear encoder or Serial Converter Unit.) 	
Environmental Conditions	Surrounding Air Temperature	0°C to 55°C	
	Storage Temperature	-20°C to 85°C	
	Surrounding Air Humidity	90% relative humidity max. (with no freezing or condensation)	
	Storage Humidity	90% relative humidity max. (with no freezing or condensation)	
	Vibration Resistance	4.9 m/s ²	
	Shock Resistance	19.6 m/s ²	
	Degree of Protection	Degree	SERVOPACK Model: SGD7S-
		IP20	R70A, R90A, 1R6A, 2R8A, 3R8A, 5R5A, 7R6A, 120A, R70F, R90F, 2R1F, 2R8F
		IP10	120A00A008, 180A, 200A, 330A, 470A, 550A, 590A, 780A
	Pollution Degree	2 <ul style="list-style-type: none"> Must be no corrosive or flammable gases. Must be no exposure to water, oil, or chemicals. Must be no dust, salts, or iron dust. 	
Altitude	1,000 m max.		
Others	Do not use the SERVOPACK in the following locations: Locations subject to static electricity noise, strong electromagnetic/magnetic fields, or radioactivity		
Applicable Standards		Refer to the following section for details.  <i>Compliance with UL Standards, EU Directives, and Other Safety Standards on page xxvi</i>	
Mounting	Mounting	SERVOPACK Model: SGD7S-	
	Base-mounted	All Models	
	Rack-mounted	R70A, R90A, 1R6A, 2R8A, 3R8A, 5R5A, 7R6A, 120A, 180A, 200A, 330A, R70F, R90F, 2R1F, 2R8F	
	Duct-ventilated	470A, 550A, 590A, 780A	
Performance	Speed Control Range	1:5000 (At the rated torque, the lower limit of the speed control range must not cause the Servomotor to stop.)	
	Coefficient of Speed Fluctuation* ¹	±0.01% of rated speed max. (for a load fluctuation of 0% to 100%)	
		0% of rated speed max. (for a voltage fluctuation of ±10%)	
		±0.1% of rated speed max. (for a temperature fluctuation of 25°C ±25°C)	
	Torque Control Precision (Repeatability)	±1%	
Soft Start Time Setting	0 s to 10 s (Can be set separately for acceleration and deceleration.)		

Continued on next page.

2.1 Ratings and Specifications


2.1.4 Specifications

Continued from previous page.

Item		Specification	
I/O Signals	Encoder Divided Pulse Output	Phase A, phase B, phase C: Line-driver output Number of divided output pulses: Any setting is allowed.	
	Overheat Protection Input	Number of input points: 1 Input voltage range: 0 V to +5 V	
	Sequence Input Signals	Fixed Inputs	Allowable voltage range: 24 VDC \pm 20% Number of input points: 4
			Input method: Sink inputs or source inputs Input Signals <ul style="list-style-type: none"> • CCW-OT (CCW Drive Prohibit Input) signal • CW-OT (CW Drive Prohibit Input) signal • /HOME (Origin Signal Input) signal • EXSTOP (External Stop Input) Signal Positive or negative logic can be changed in the parameters.
Sequence Output Signals	Fixed Output	Allowable voltage range: 5 VDC to 30 VDC Number of output points: 4	
		Output Signals <ul style="list-style-type: none"> • ALM (Servo Alarm Output) signal • /WARN (Warning Signal Output) signal • /BK (Brake) signal • /S-RDY (Servo Ready Output) signal 	
Communi- cations	Digital Operator Communi- cations (CN3)	Inter- faces	Digital Operator (JUSP-OP05A-1-E)
	USB Com- munica- tions (CN7)	Interface Commu- nica- tions Standard	Personal computer (with SigmaWin+) Conforms to USB2.0 standard (12 Mbps).
Displays/ Indicators	SERVOPACK		CHARGE and PWR indicators, and one-digit seven-segment display
	DeviceNet Module		Refer to the following section for details.  1.5.2 LED Indicators on page 1-9

Continued on next page.

Continued from previous page.

Item		Specification	
Operating Methods	Reference Method	Operation Specifications	Positioning via DeviceNet communications.
		Reference Inputs	DeviceNet communications Commands: Movement references (positioning or speed) and origin returns
	Position Control Functions	Acceleration/Deceleration Methods	Linear, asymmetrical, exponential, and S-curve acceleration/deceleration
		Operating Methods	Simple positioning, origin returns, continuous operation, and switching to positioning
		Fully-Closed Loop Control	Supported.
	Built-in Functions	Position Data Latching	Position data can be latched on phase C, the origin signal, or an external signal.
	DeviceNet Communications	Communications Methods	DeviceNet I/O communications and explicit messages
		Topology	Multidrop or T-branching*2
		Baud Rate	125 kbps, 250 kbps, or 500 kbps (Set on rotary switch (DR).)
		Cables	Special cables (OMRON DCA1-5CN02F1 Cable with Connectors or the equivalent.)
		Maximum Number of Nodes	64 nodes (including the master, Maximum number of slaves: 63)
		Node Address Setting	0 to 63 (Set on NA x10 and x1 rotary switches.)
	Analog Monitor (CN5)		Number of points: 2 Output voltage range: ± 10 VDC (effective linearity range: ± 8 V) Resolution: 16 bits Accuracy: ± 20 mV (Typ) Maximum output current: ± 10 mA Settling time ($\pm 1\%$): 1.2 ms (Typ)
	Dynamic Brake (DB)		Activated when a servo alarm or overtravel (OT) occurs, or when the power supply to the main circuit or servo is OFF.
Regenerative Processing		Built-in (An external resistor must be connected to the SGD7S-470A to -780A.) Refer to the following manuals for details.  Σ -7-Series Peripheral Device Selection Manual (Manual No.: SIEP S800001 32)	
Overtravel (OT) Prevention		Stopping with a dynamic brake (DB), coasting to a stop, performing a hard stop, or smooth stop (decelerating to a stop) for a CCW-OT (CCW Drive Prohibit Input) signal or CW-OT (CW Drive Prohibit Input) signal.	
Protective Functions		Overcurrent, overvoltage, low voltage, overload, regeneration error, etc.	
Utility Functions		Gain adjustment, alarm history, jogging, origin search, etc.	

Continued on next page.

2.1 Ratings and Specifications

2.1.4 Specifications

Continued from previous page.

Item		Specification
Safety Functions	Inputs	/HWBB1 and /HWBB2: Base block signals for Power Modules
	Output	EDM1: Monitors the status of built-in safety circuit (fixed output).
	Applicable Standards*3	ISO13849-1 PLe (Category 3), IEC61508 SIL3
Applicable Option Modules		Fully-Closed Module Note: You cannot use a Safety Module if you are using a DeviceNet Module.

*1. The coefficient of speed fluctuation for load fluctuation is defined as follows:

$$\text{Coefficient of speed fluctuation} = \frac{\text{No-load motor speed} - \text{Total-load motor speed}}{\text{Rated motor speed}} \times 100\%$$

*2. Externally connected terminating resistance is required.

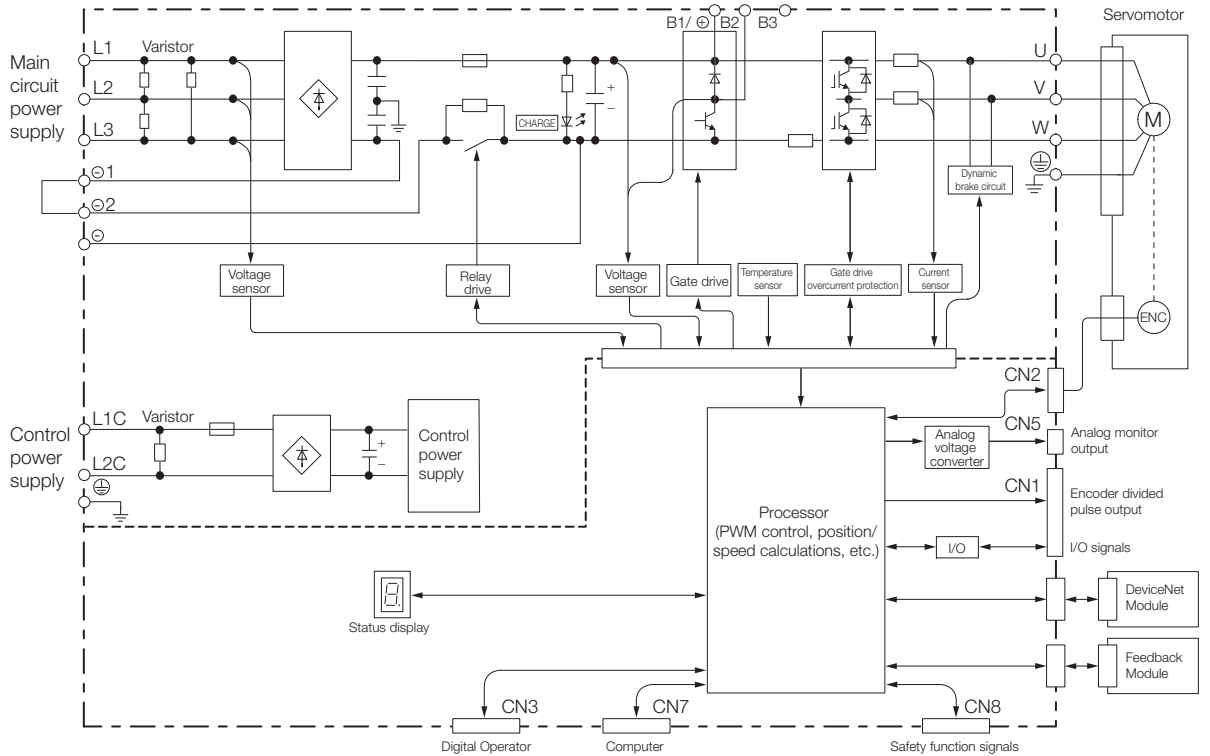
*3. Always perform risk assessment for the system and confirm that the safety requirements are met.

The following table gives the specifications of the DeviceNet Module.

Item		Specification	
		SGDV-OCA04A	SGDV-OCA05A
Mounting Location		Mounted to the side of a Command Option Attachable-Type SERVOPACK.	
Power Supply Method	Control Section	Supplied from the control power supply of a Command Option Attachable-Type SERVOPACK.	Supplied from the DeviceNet communications cable.
	DeviceNet Communications Section	Supplied from the DeviceNet communications cable.	
Current Consumption	Control Section	Included in the current consumption of the Command Option Attachable-Type SERVOPACK.	For 24-VDC power supply: 100 mA max., for 11-VDC power supply: 200 mA max.
	DeviceNet Communications Section	25 mA max.	

2.2 Block Diagrams

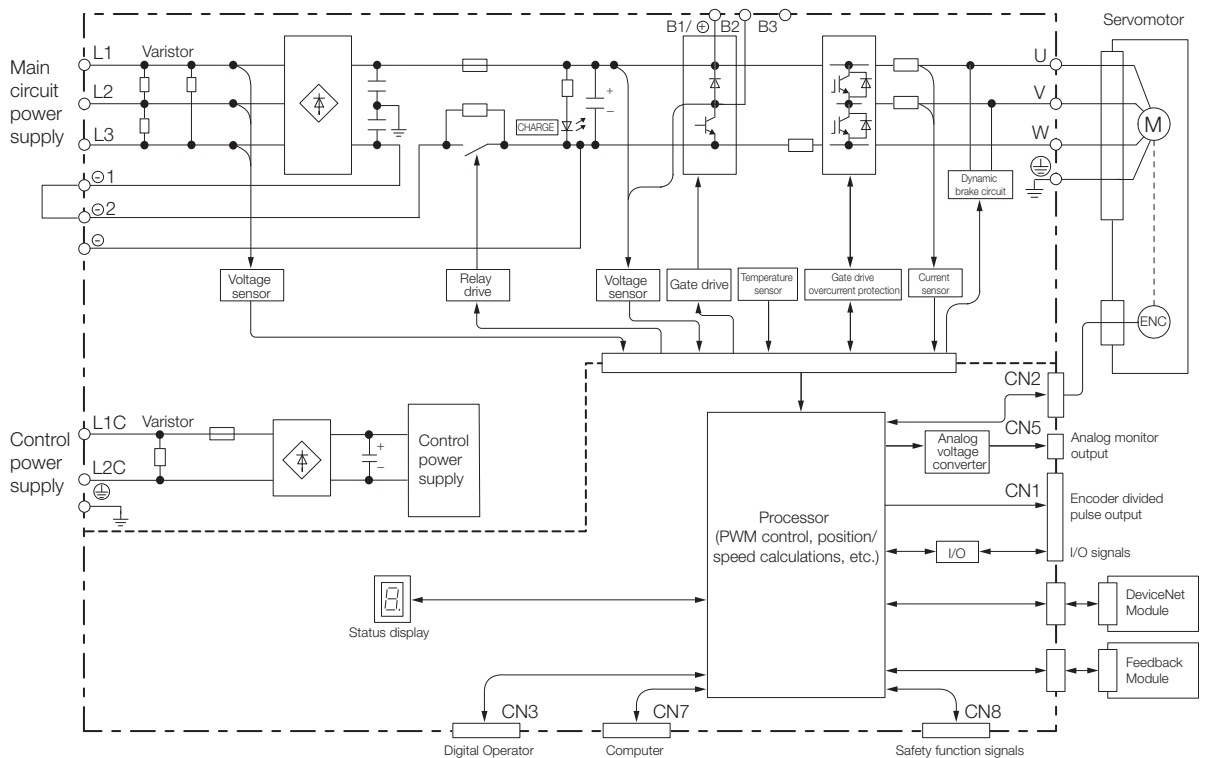
2.2.1 SGD7S-R70A, -R90A, and -1R6A



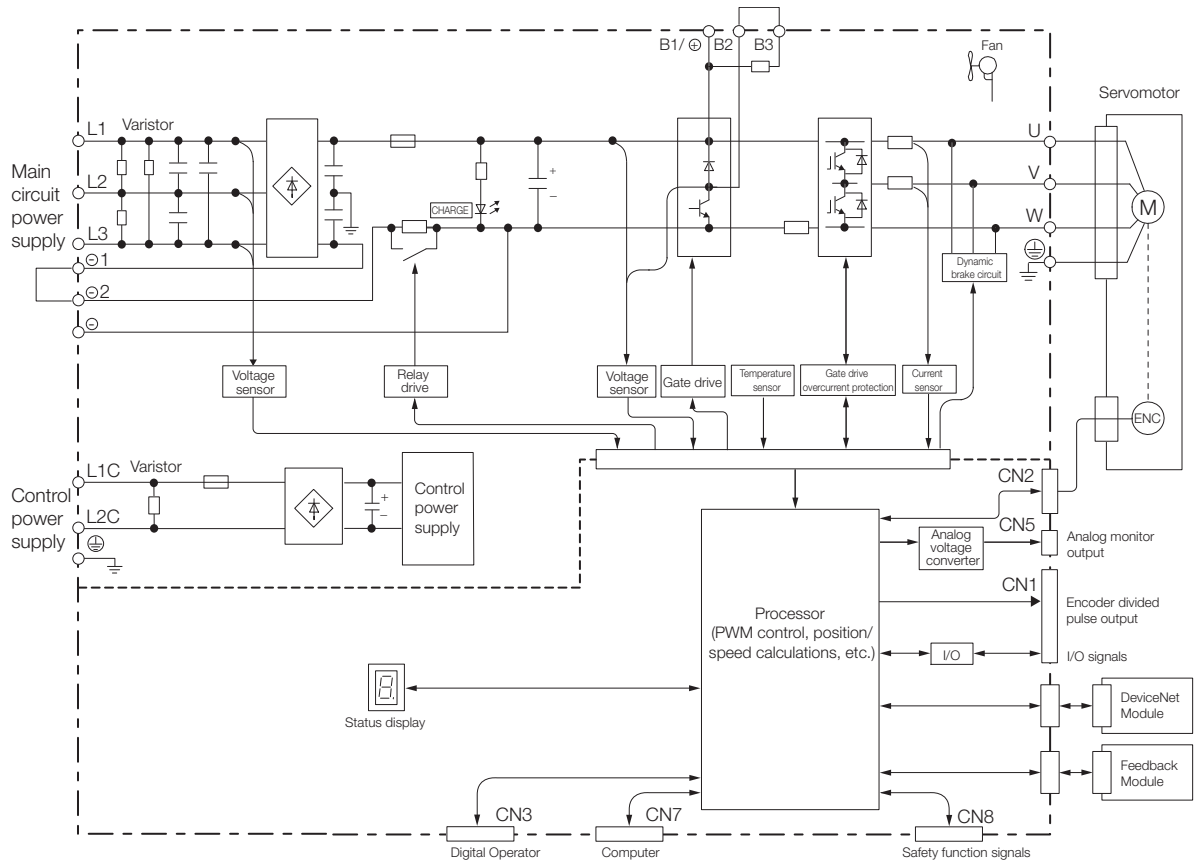
Selecting a SERVOPACK

2

2.2.2 SGD7S-2R8A

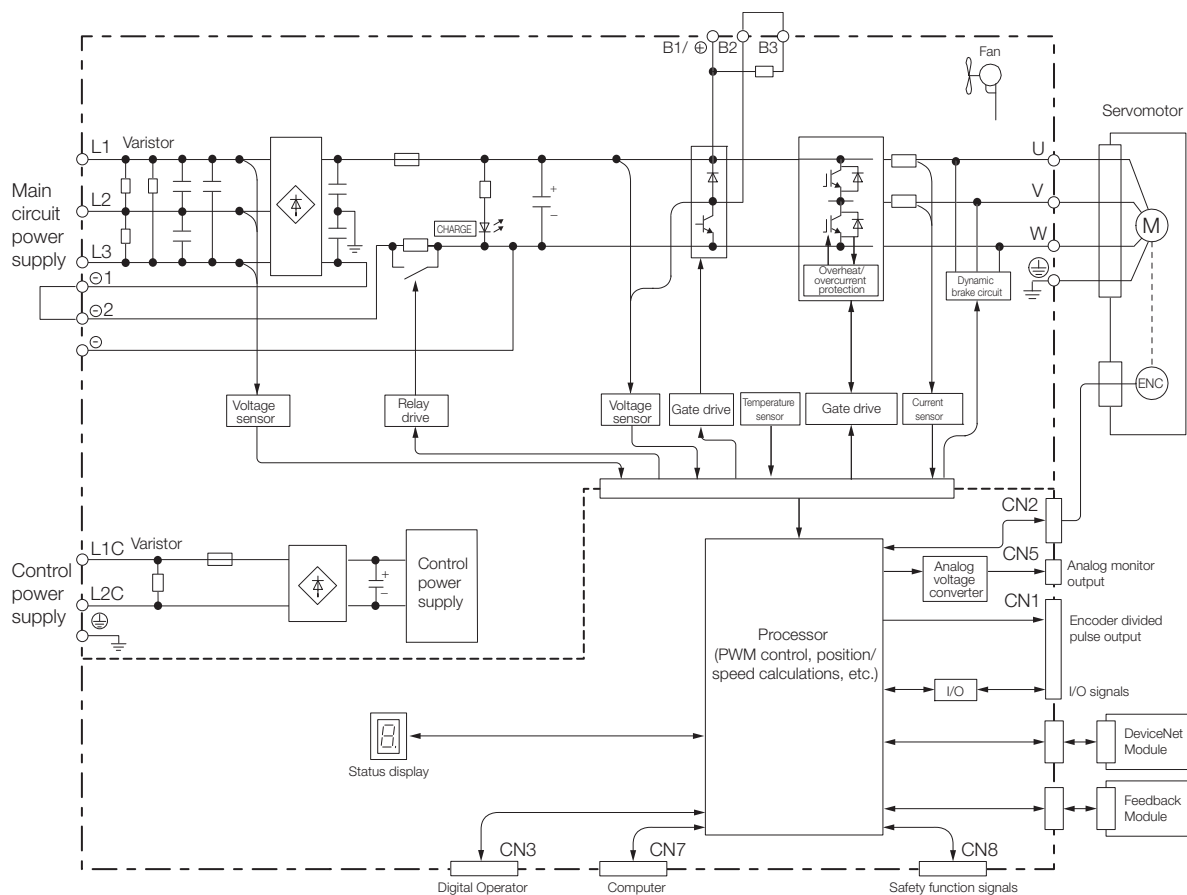


2.2.3 SGD7S-3R8A, -5R5A, and -7R6A



2.2.4 SGD7S-120A

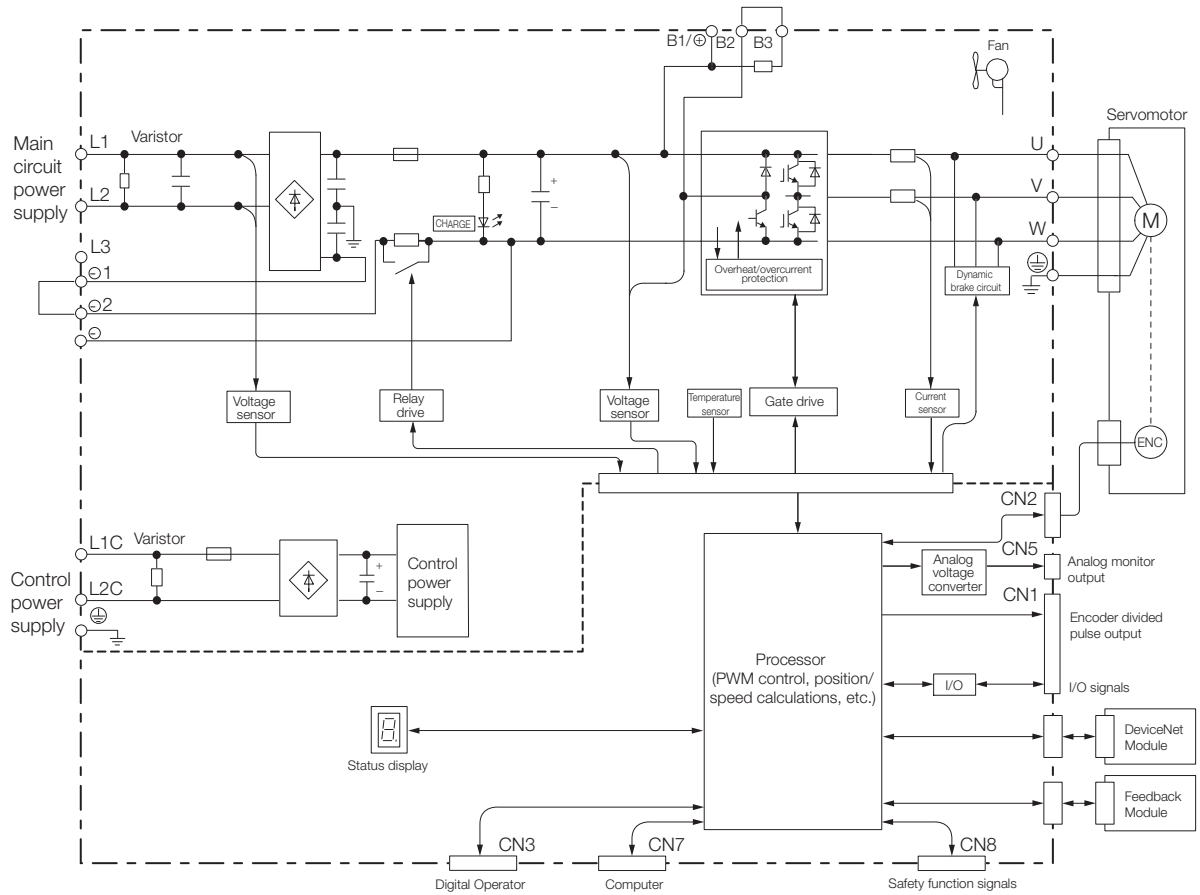
- Standard Specifications: Three-Phase, 200-VAC Power Supply Input



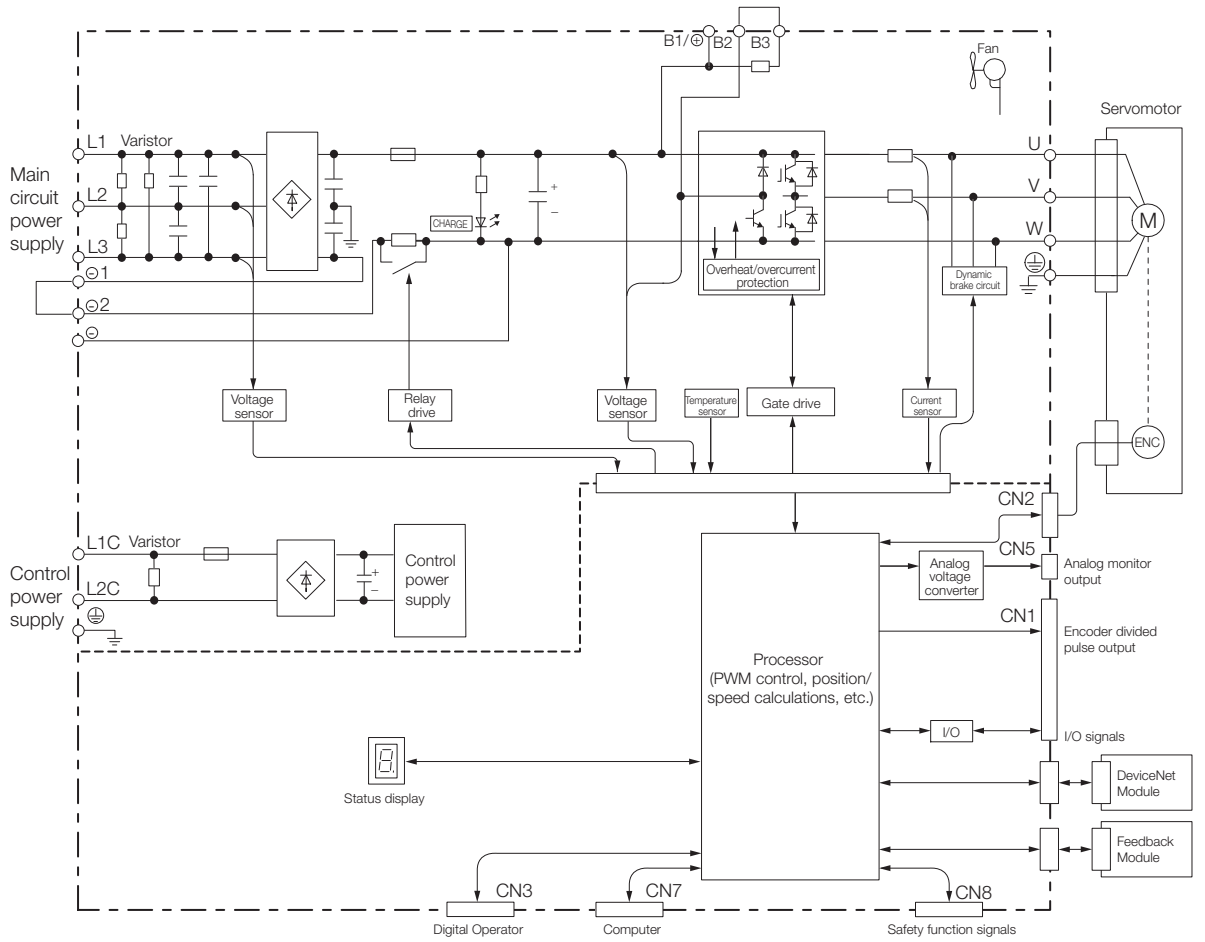
2.2 Block Diagrams

2.2.4 SGD7S-120A

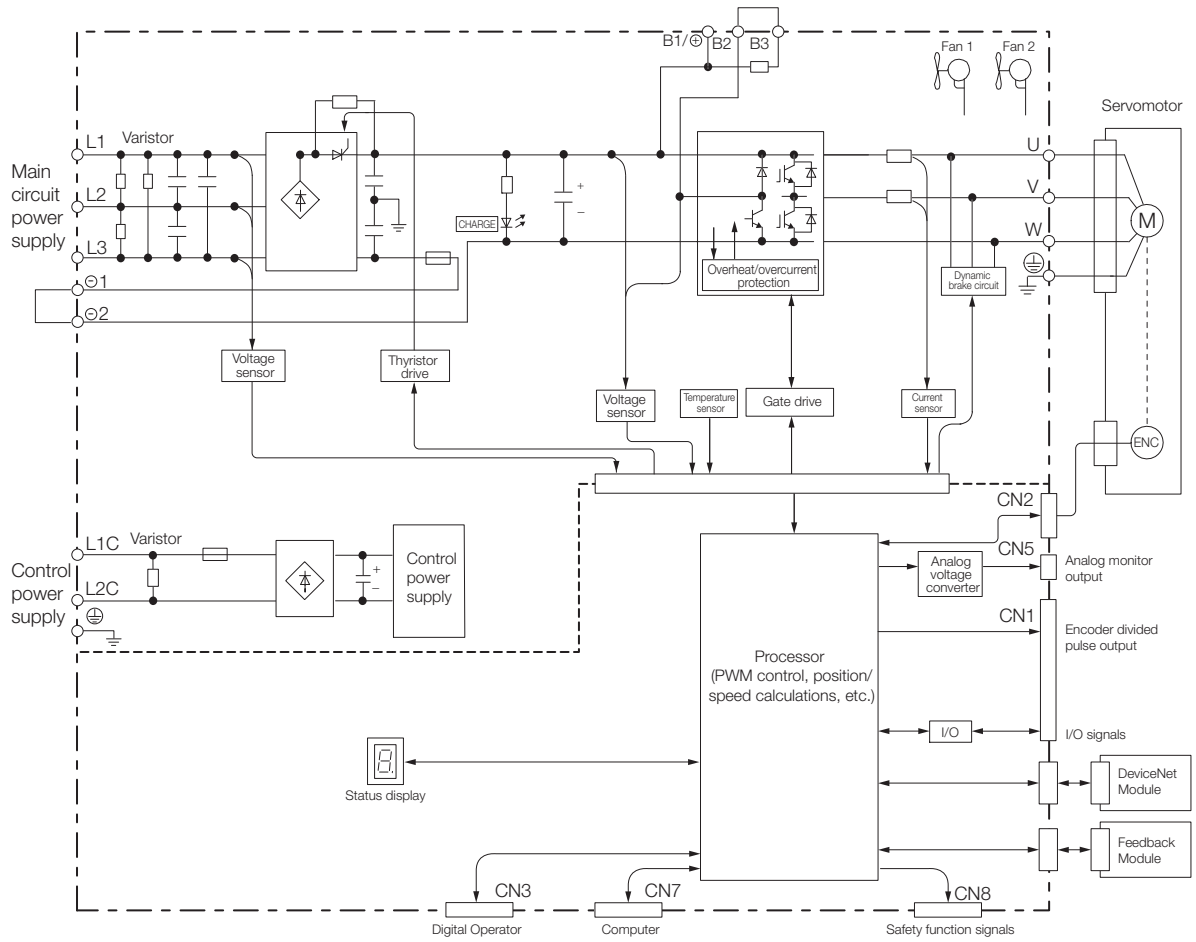
- Optional Specifications: Single-Phase, 200-VAC Power Supply Input (SERVOPACK Model: SGD7S-120AE0A008)



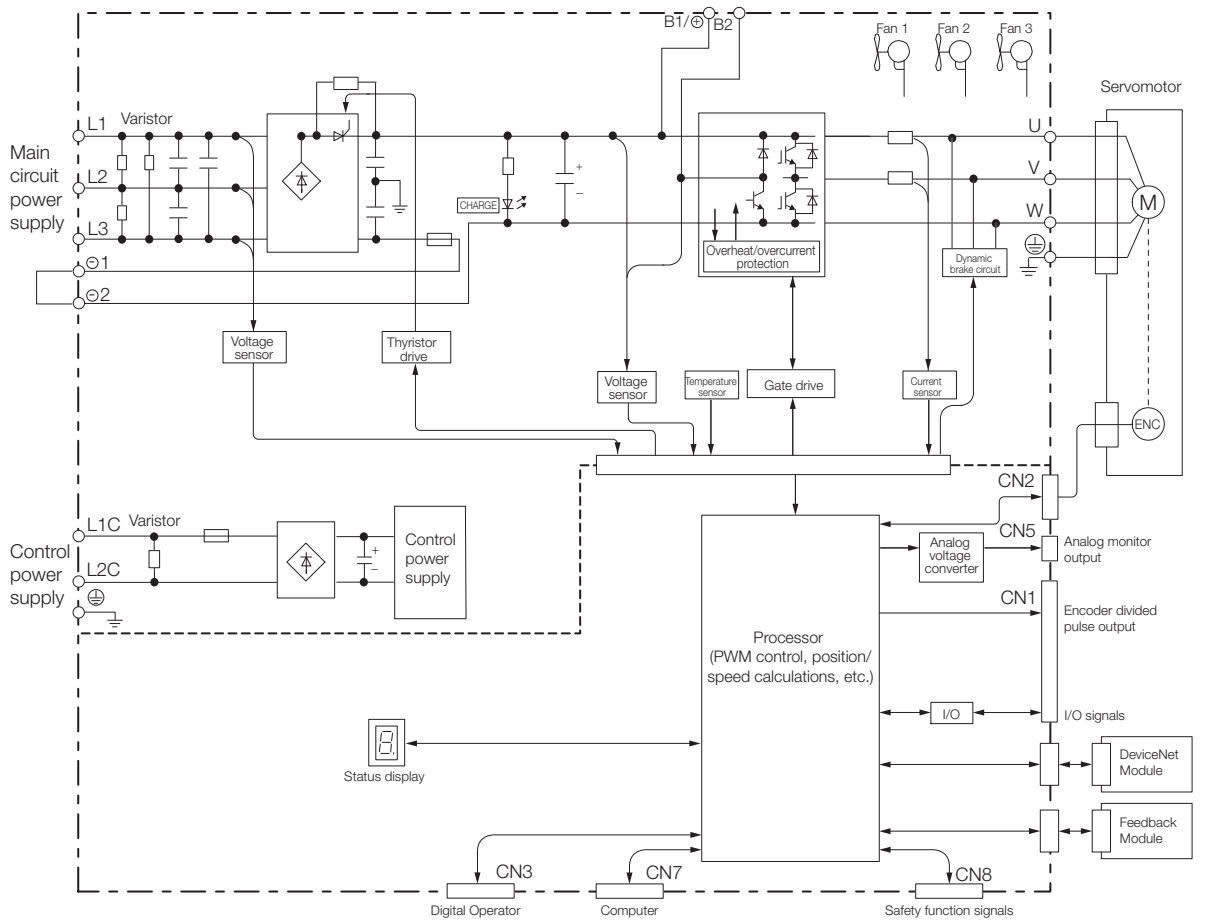
2.2.5 SGD7S-180A and -200A



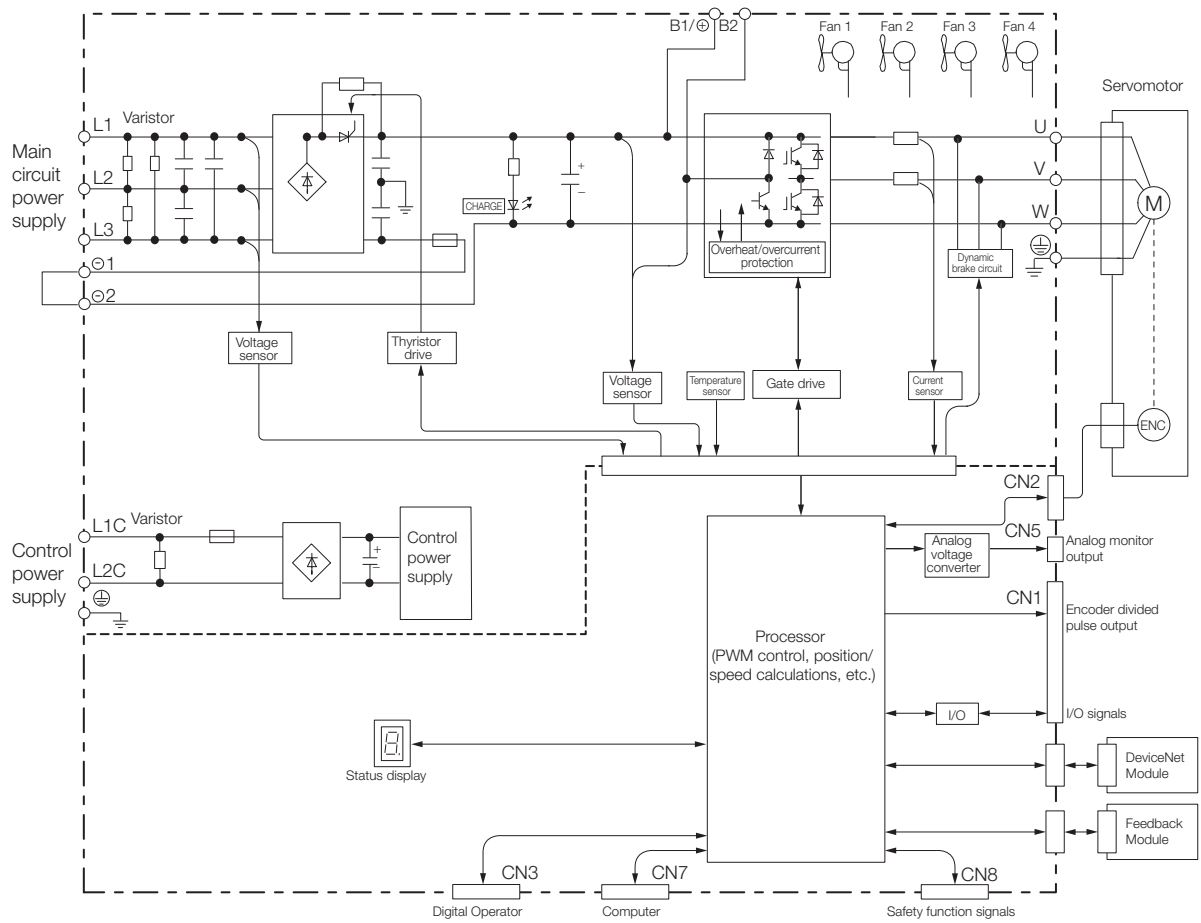
2.2.6 SGD7S-330A



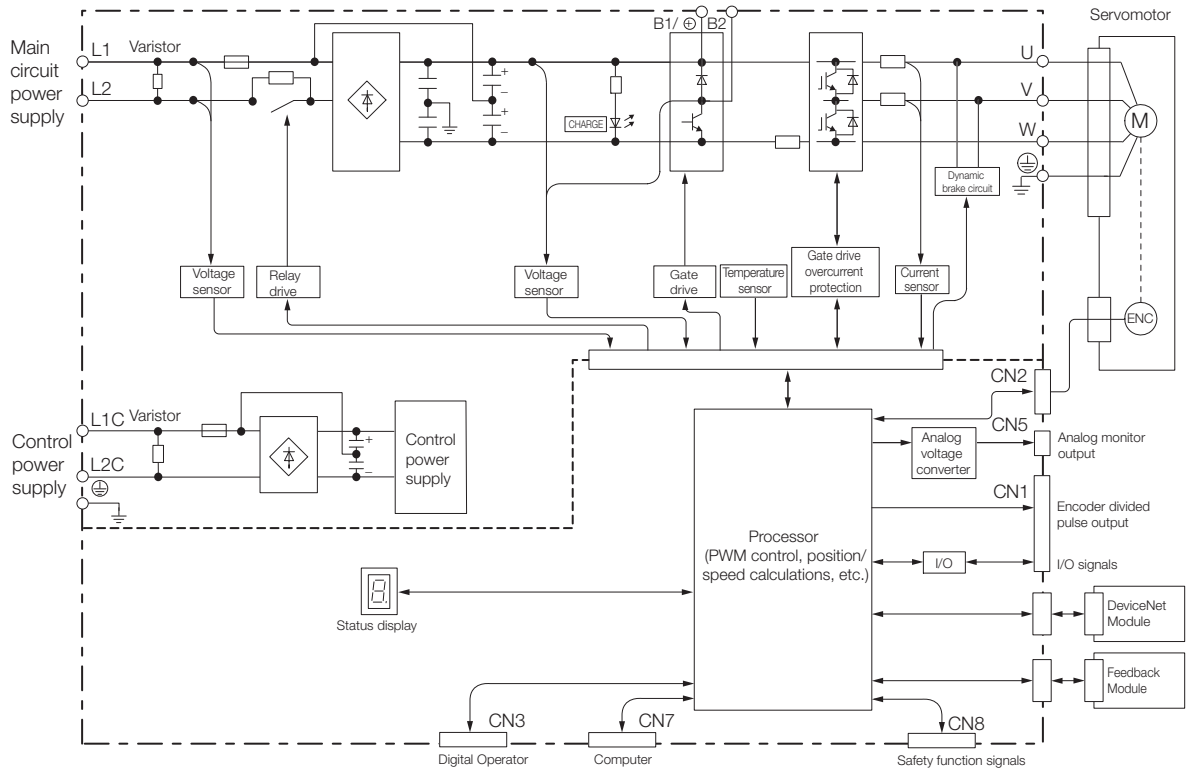
2.2.7 SGD7S-470A and -550A



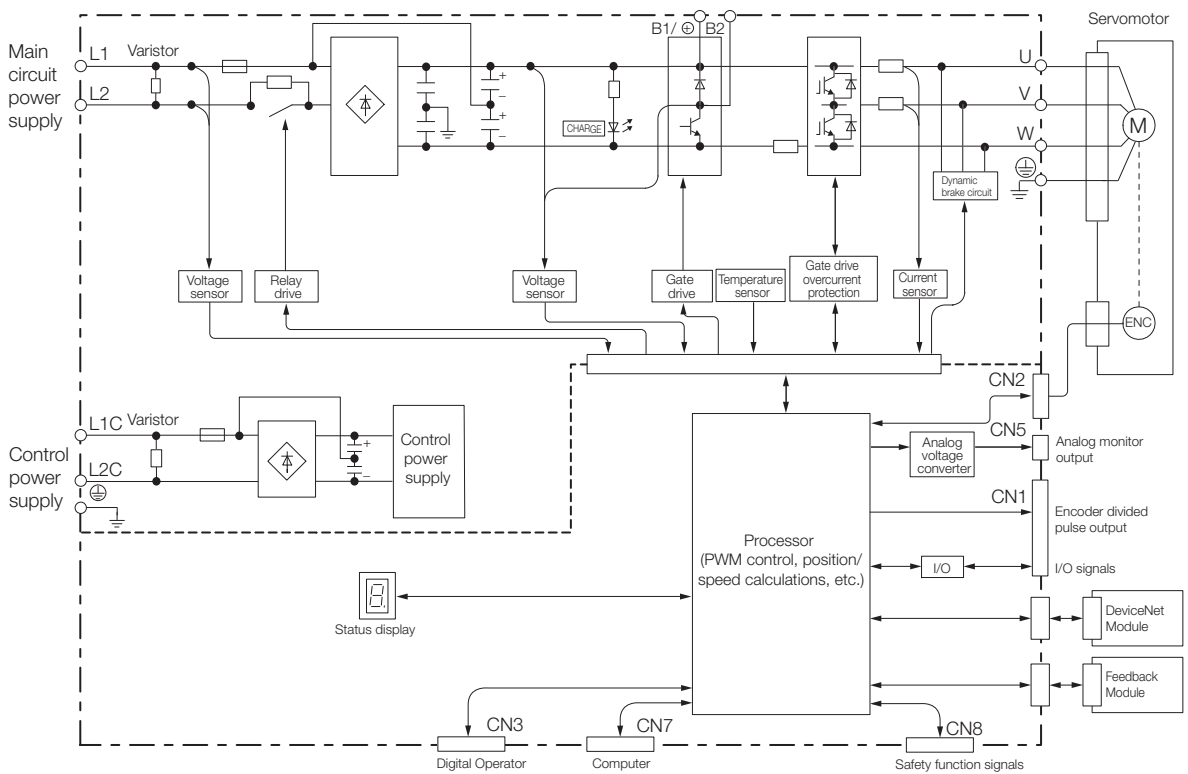
2.2.8 SGD7S-590A and -780A



2.2.9 SGD7S-R70F, -R90F, and -2R1F



2.2.10 SGD7S-2R8F

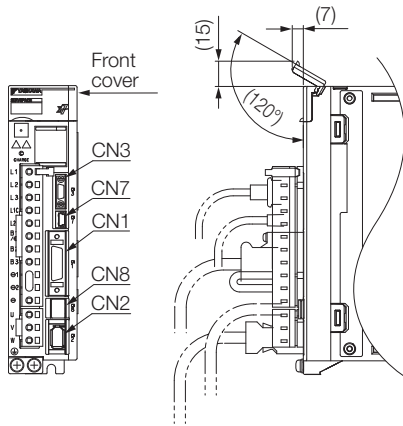


2.3 External Dimensions

2.3.1 Front Cover Dimensions and Connector Specifications

The front cover dimensions and panel connector section are the same for all models. Refer to the following figures and table.

- Front Cover Dimensions



- Connector Specifications

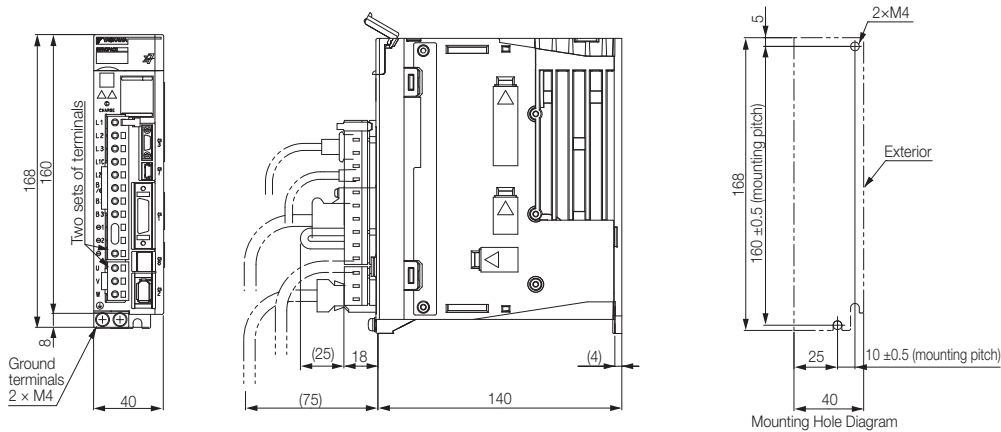
Connector No.	Model	Number of Pins	Manufacturer
CN1	10226-59A3MB	26	3M Japan Ltd
CN2	3E106-0220KV	6	3M Japan Ltd
CN3	HDR-EC14LFDTN-SLD-PLUS	14	Honda Tsushin Kogyo Co., Ltd.
CN7	2172034-1	5	Tyco Electronics Japan G.K.
CN8	1981080-1	8	Tyco Electronics Japan G.K.

Note: The above connectors or their equivalents are used for the SERVOPACKs.

2.3.2 SERVOPACK External Dimensions

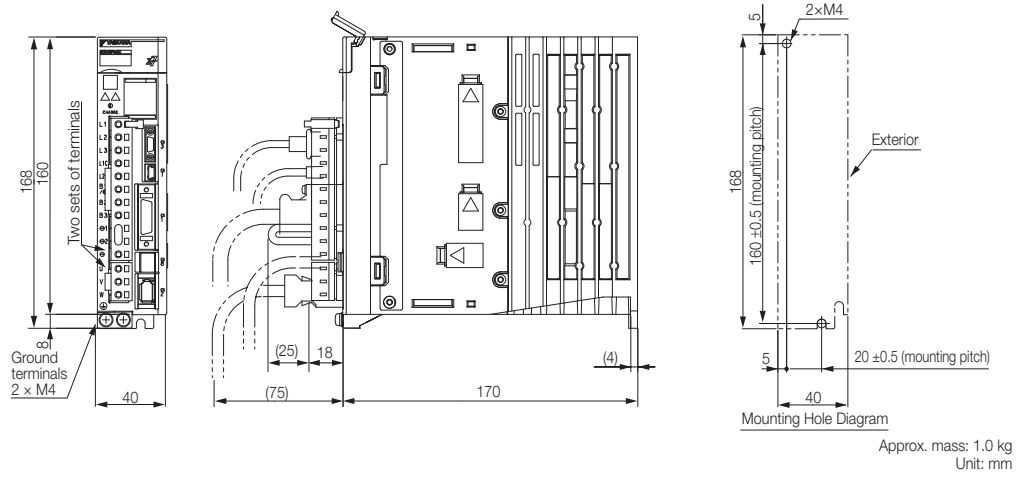
Base-mounted SERVOPACKs

- Three-phase, 200 VAC: SGD7S-R70A, -R90A, and -1R6A

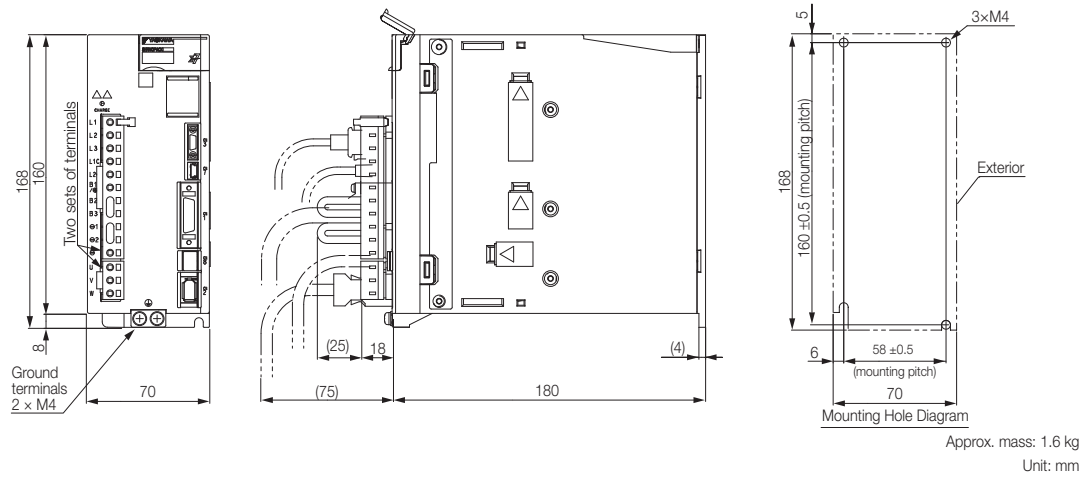


Approx. mass: 0.8 kg
Unit: mm

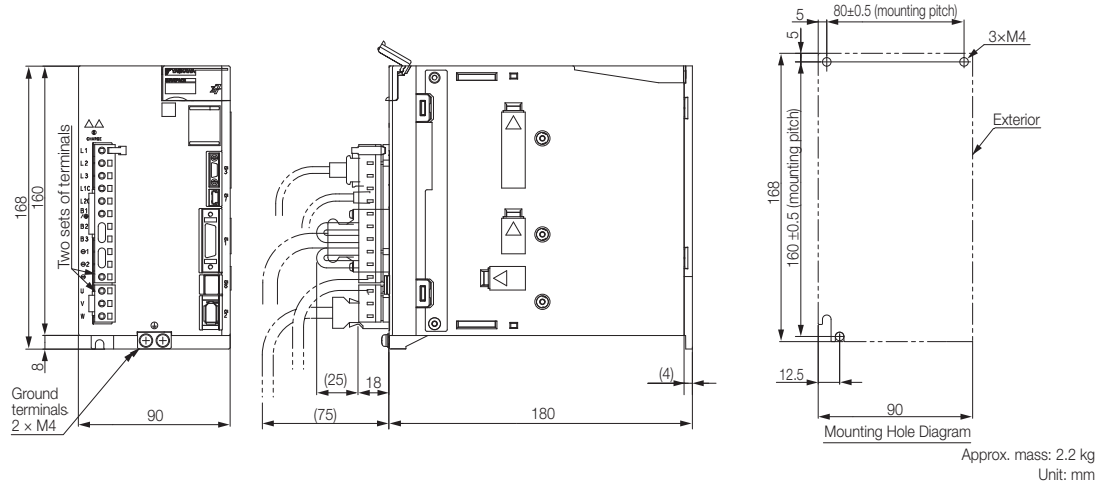
- Three-phase, 200 VAC: SGD7S-2R8A; Single-phase, 100 VAC: SGD7S-R70F, -R90F, and -2R1F



- Three-phase, 200 VAC: SGD7S-3R8A, -5R5A, and -7R6A; Single-phase, 100 VAC: SGD7S-2R8F



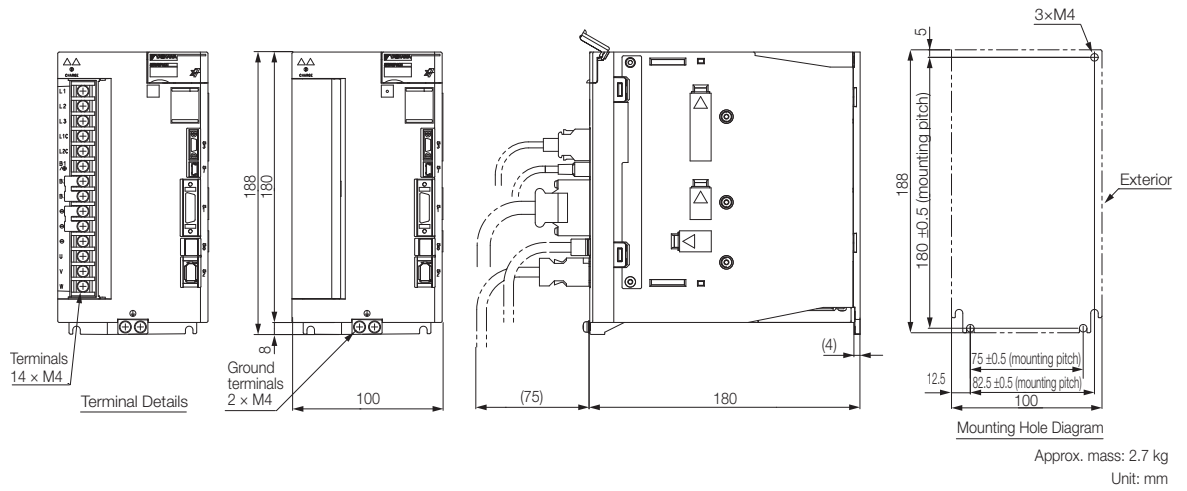
- Three-phase, 200 VAC: SGD7S-120A



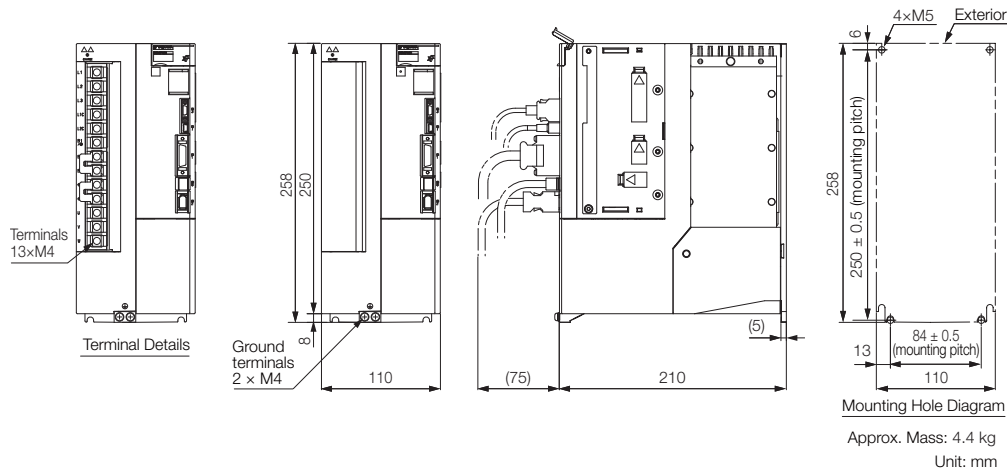
2.3 External Dimensions

2.3.2 SERVOPACK External Dimensions

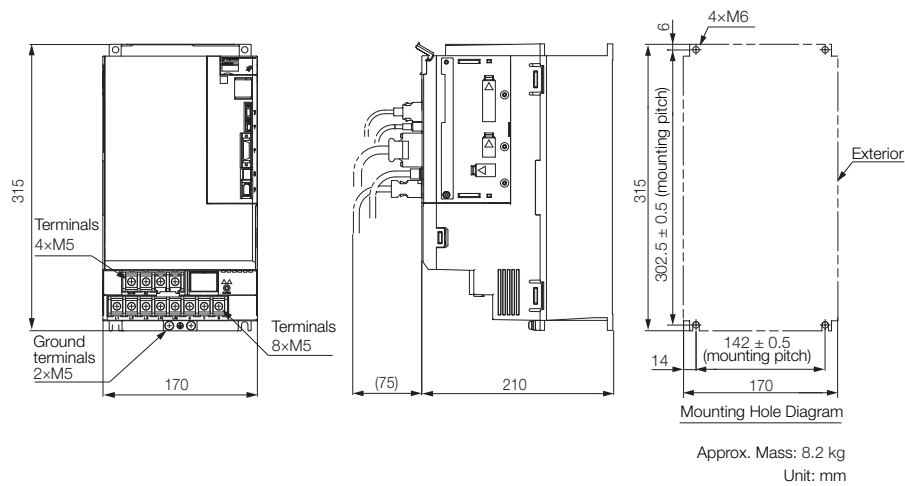
- Three-phase, 200 VAC: SGD7S-180A and -200A; Single-phase, 200 VAC: SGD7S-120AE0A008



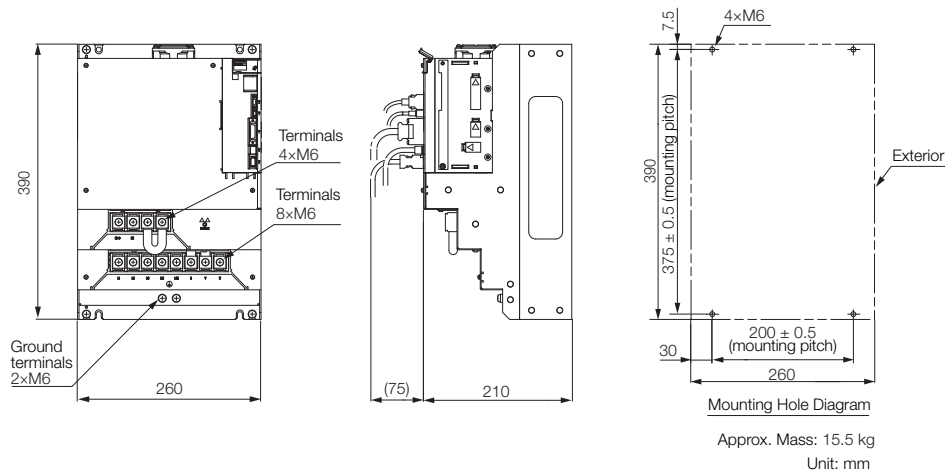
- Three-phase, 200 VAC: SGD7S-330A



- Three-phase, 200 VAC: SGD7S-470A and -550A



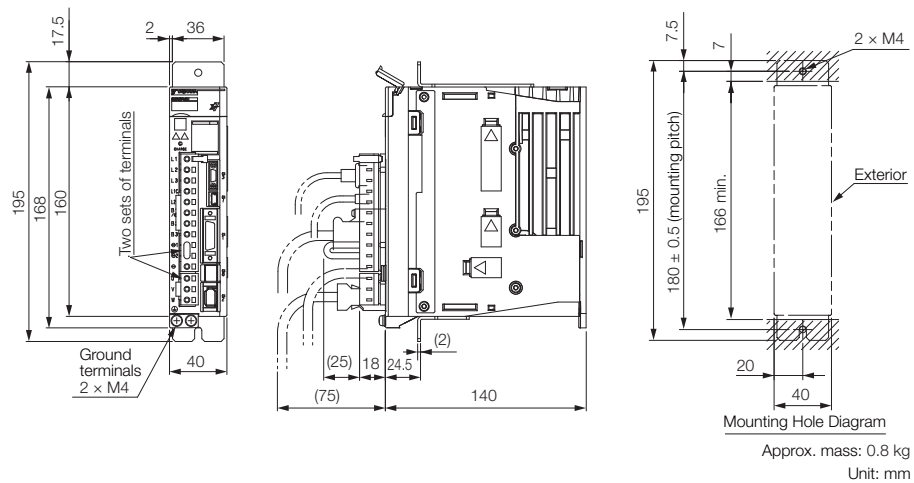
- Three-phase, 200 VAC: SGD7S-590A and -780A



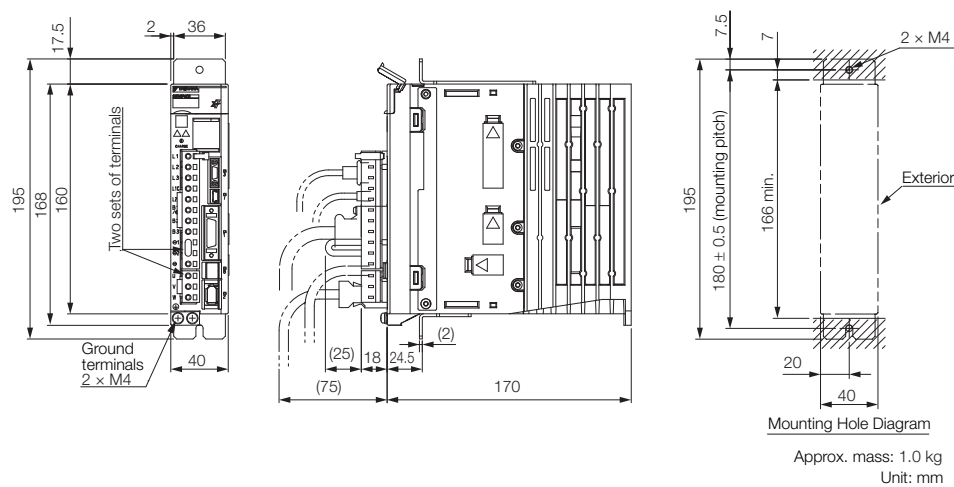
Rack-mounted SERVOPACKs

Hardware Option Code: 001

- Three-phase, 200 VAC: SGD7S-R70A, -R90A, and -1R6A



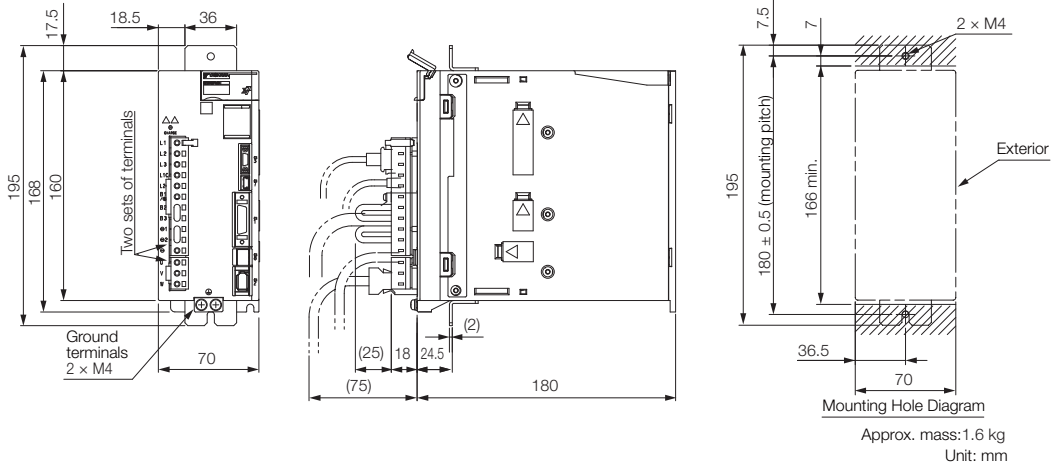
- Three-phase, 200 VAC: SGD7S-2R8A; Single-phase, 100 VAC: SGD7S-R70F, -R90F, and -2R1F



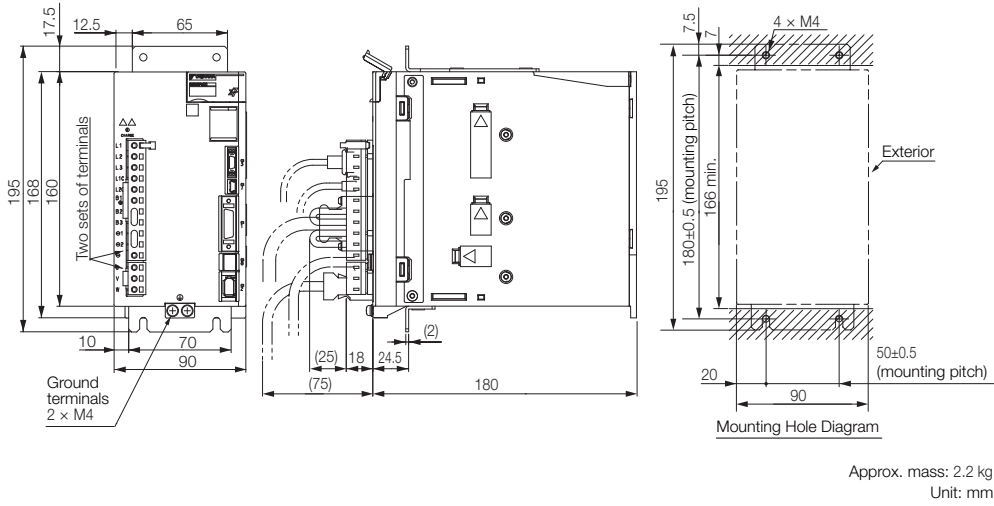
2.3 External Dimensions

2.3.2 SERVOPACK External Dimensions

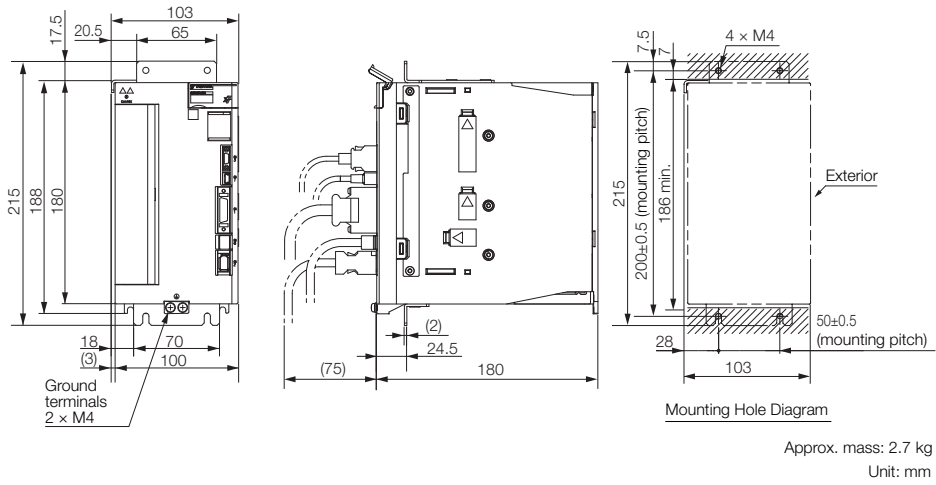
- Three-phase, 200 VAC: SGD7S-3R8A, -5R5A, and -7R6A; Single-phase, 100 VAC: SGD7S-2R8F



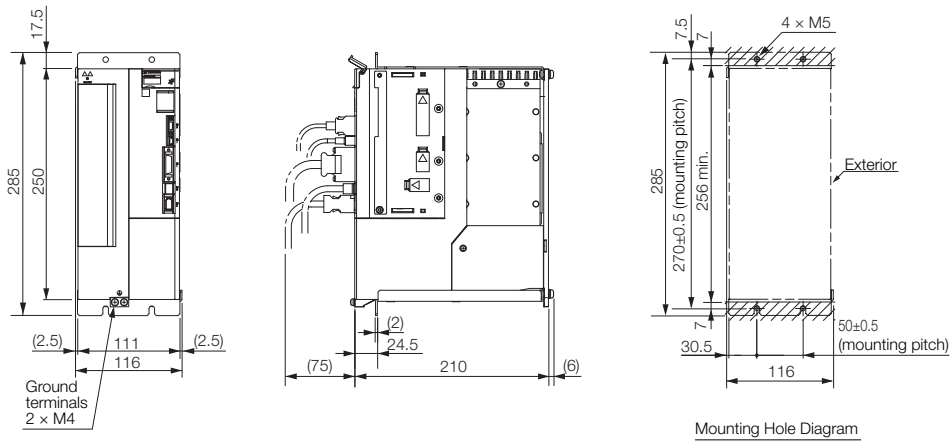
- Three-phase, 200 VAC: SGD7S-120A



- Three-phase, 200 VAC: SGD7S-180A and -200A



- Three-phase, 200 VAC: SGD7S-330A

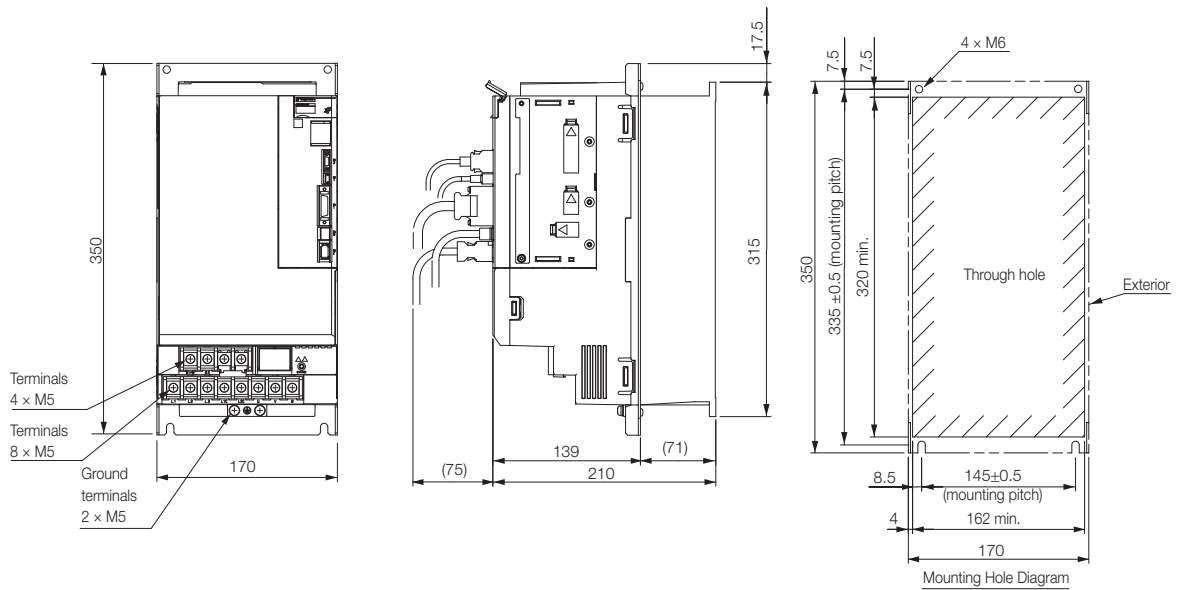


Approx. mass: 4.9 kg
Unit: mm

Duct-ventilated SERVOPACKs

Hardware Option Code: 001

- Three-phase, 200 VAC: SGD7S-470A and -550A

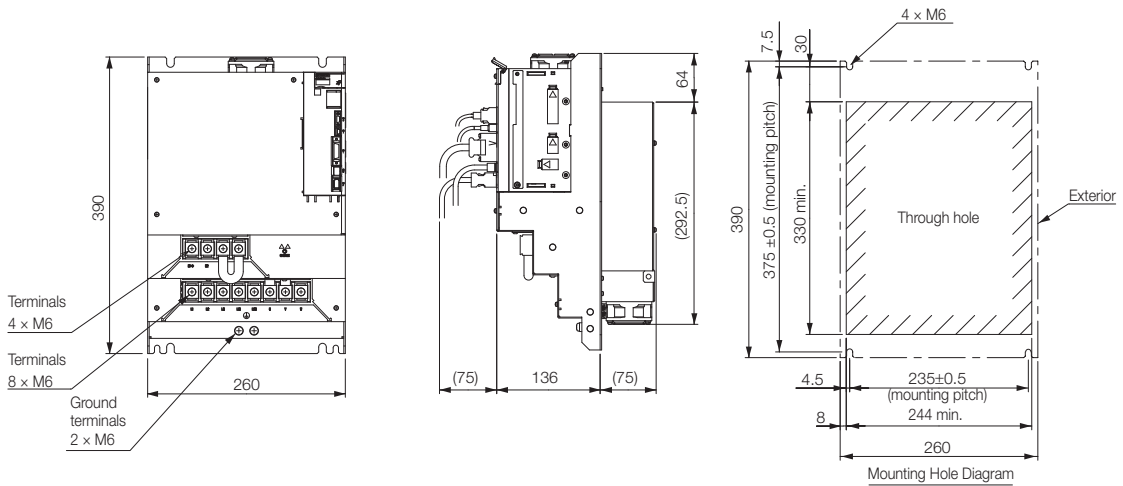


Approx. mass: 8.4 kg
Unit: mm

2.3 External Dimensions

2.3.3 DeviceNet Module External Dimensions and Connector Specifications

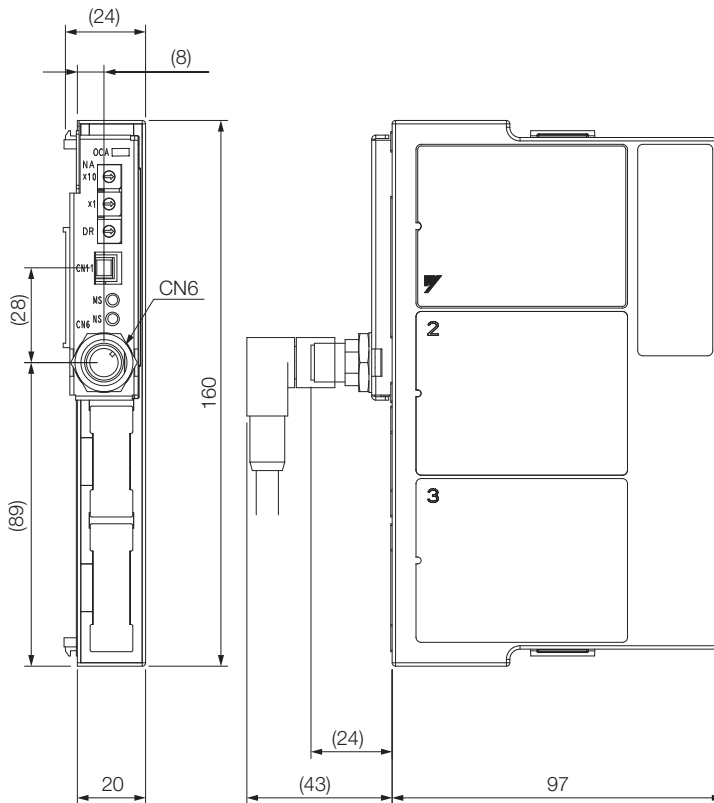
- Three-phase, 200 VAC: SGD7S-590A and -780A



Approx. mass: 13.8 kg
Unit: mm

2.3.3 DeviceNet Module External Dimensions and Connector Specifications

- External Dimensions



Approx. mass: 0.3 kg
Unit: mm

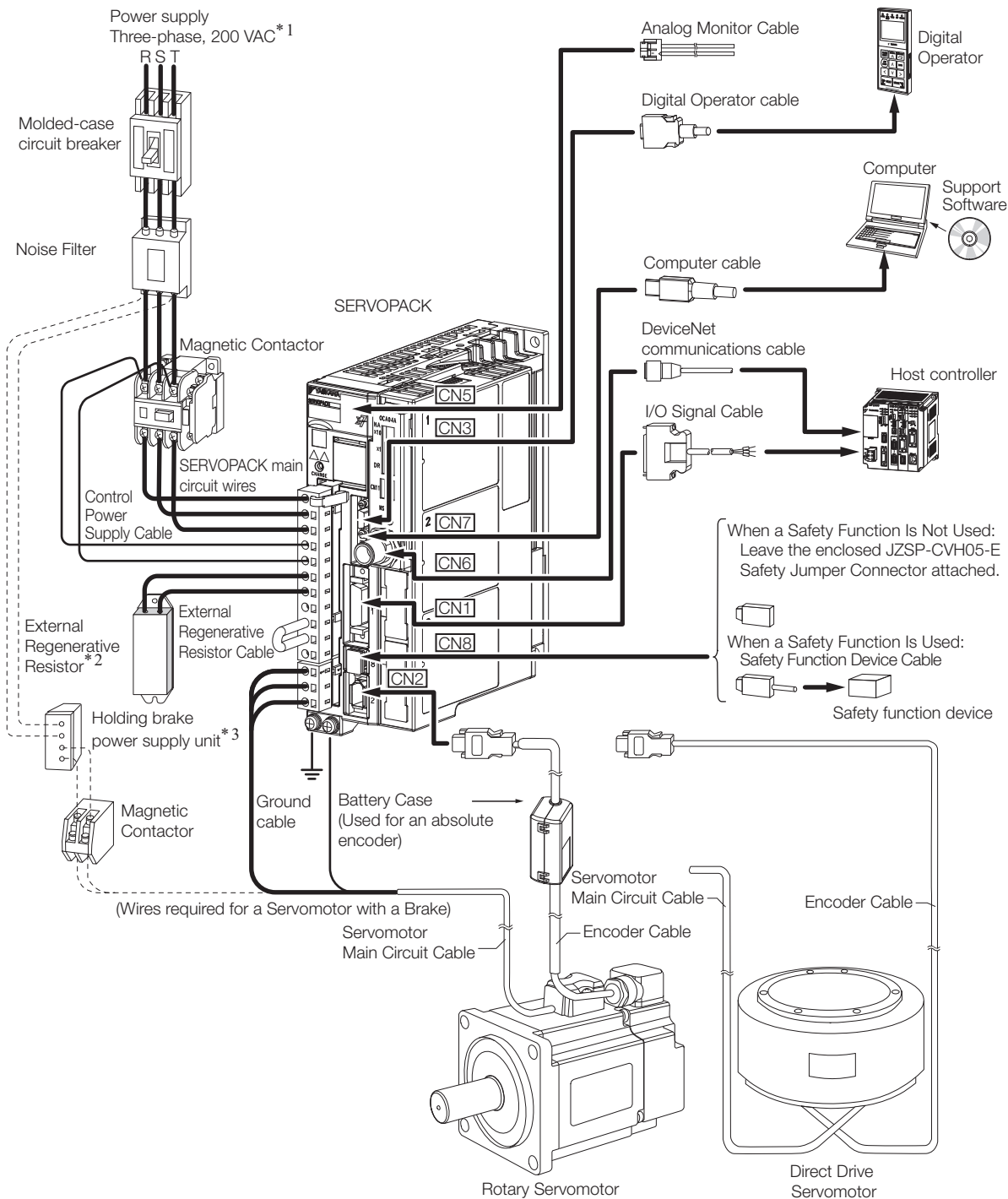
- Connector Specifications

Device Label	Model	Number of Pins	Manufacturer
CN6	CM02-8DR5P-CF	5	DDK Ltd.

Note: The above connector or an equivalent is used.

2.4 Examples of Standard Connections between SERVOPACKs and Peripheral Devices

• Rotary Servomotors



When a Safety Function Is Not Used:
Leave the enclosed JZSP-CVH05-E
Safety Jumper Connector attached.

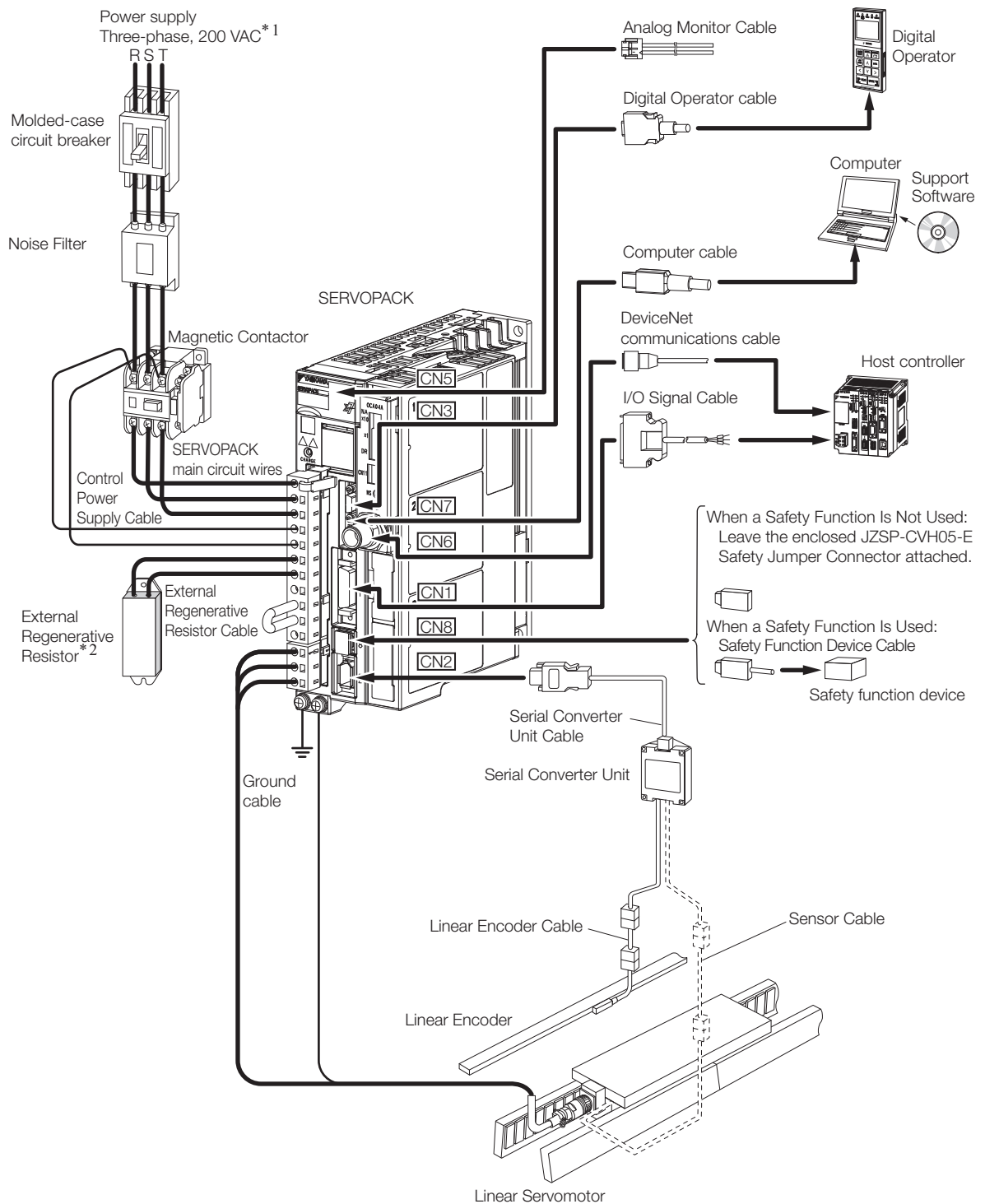
When a Safety Function Is Used:
Safety Function Device Cable
Safety function device

*1. This example is for a SERVOPACK with a three-phase, 200-VAC power supply input. The pin layout of the main circuit connector depends on the voltage.

*2. External Regenerative Resistors are not provided by Yaskawa.

*3. The power supply for the holding brake is not provided by Yaskawa. Select a power supply based on the holding brake specifications.
If you use a 24-V brake, install a separate power supply for the 24-VDC power supply from other power supplies, such as the one for the I/O signals of the CN1 connector.
If the power supply is shared, the I/O signals may malfunction.

• Linear Servomotors



*1. This example is for a SERVOPACK with a three-phase, 200-VAC power supply input. The pin layout of the main circuit connector depends on the voltage.

*2. External Regenerative Resistors are not provided by Yaskawa.

Installation


3

This chapter provides information on installing SERVOPACKs and DeviceNet Modules in the required locations.

3.1	Installation Precautions	3-2
3.2	Mounting the DeviceNet Module to the SERVOPACK . .	3-3
3.3	Mounting Types and Orientation	3-4
3.4	Mounting Hole Dimensions	3-5
3.5	Mounting Interval	3-6
3.5.1	Installing One SERVOPACK in a Control Panel . .	3-6
3.5.2	Installing More Than One SERVOPACK in a Control Panel	3-6
3.6	Monitoring the Installation Environment . . .	3-7
3.7	EMC Installation Conditions	3-8

3.1 Installation Precautions

Refer to the following section for the ambient installation conditions.

 2.1.4 Specifications on page 2-7

■ Installation Near Sources of Heat

Implement measures to prevent temperature increases caused by radiant or convection heat from heat sources so that the ambient temperature of the SERVOPACK meets the ambient conditions.

■ Installation Near Sources of Vibration


Install a vibration absorber on the installation surface of the SERVOPACK so that the SERVOPACK will not be subjected to vibration.

■ Other Precautions

Do not install the SERVOPACK in a location subject to high temperatures, high humidity, water drops, cutting oil, excessive dust, excessive dirt, excessive iron powder, corrosive gasses, or radioactivity.

3.2 Mounting the DeviceNet Module to the SERVOPACK

Install the DeviceNet Module correctly according to the installation procedures that are included with it.

 Σ -V-Series/ Σ -V-Series for Large-Capacity Models/ Σ -7-Series Installation Guide Command Option Module (Manual No.: TOBP C720829 01)

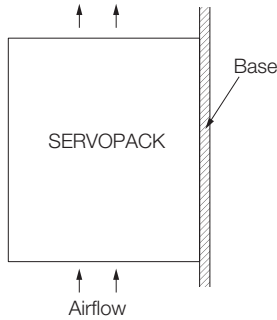
3.3 Mounting Types and Orientation

The SERVOPACKs come in the following mounting types: base-mounted, rack-mounted, and duct-ventilated types. Regardless of the mounting type, mount the SERVOPACK vertically, as shown in the following figures.

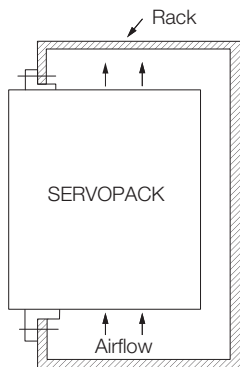
Also, mount the SERVOPACK so that the front panel is facing toward the operator.

Note: Prepare two to four mounting holes for the SERVOPACK and mount it securely in the mounting holes. (The number of mounting holes depends on the capacity of the SERVOPACK.)

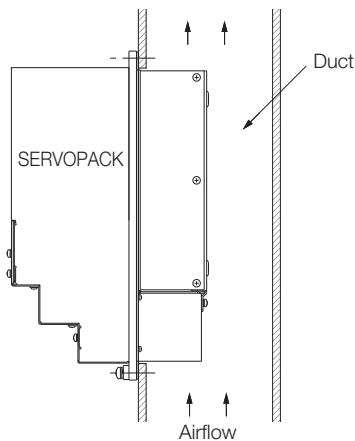
- Base-mounted SERVOPACK



- Rack-mounted SERVOPACK



- Duct-ventilated SERVOPACK

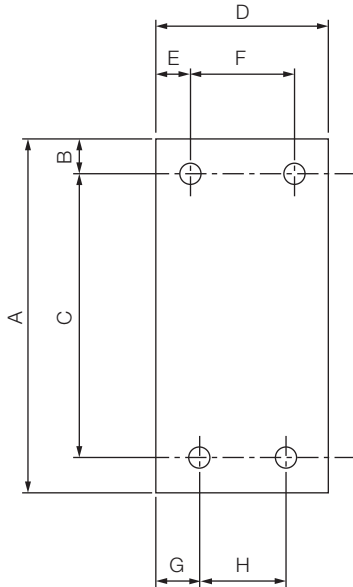


3.4

Mounting Hole Dimensions

Use mounting holes to securely mount the SERVOPACK to the mounting surface.

Note: To mount the SERVOPACK, you will need to prepare a screwdriver that is longer than the depth of the SERVOPACK.

◆ Σ -7-series Mounting Hole Dimensions

SERVOPACK Model		Dimensions (mm)								Screw Size	Number of Screws
		A	B	C	D	E	F	G	H		
SGD7S-	R70A, R90A, 1R6A	168	5	160 ±0.5	40	35	–	25	–	M4	2
	2R8A, R70F, R90F, 2R1F	168	5	160 ±0.5	40	5	–	25	–	M4	2
	3R8A, 5R5A, 7R6A, 2R8F	168	5	160 ±0.5	70	6	58 ±0.5	64	–	M4	3
	120A	168	5	160 ±0.5	90	5	80 ±0.5	12.5	–	M4	3
	180A, 200A, 120AE0A008	188	5	180 ±0.5	100	95	–	12.5	75 ±0.5	M4	3
	330A	258	6	250 ±0.5	110	5	100 ±0.5	13	84 ±0.5	M5	4
	470A, 550A	315	6	302.5 ±0.5	170	14	142 ±0.5	14	142 ±0.5	M6	4
	590A, 780A	390	7.5	375 ±0.5	260	30	200 ±0.5	30	200 ±0.5	M6	4

◆ Σ -V-series-Compatible Mounting Hole Dimensions

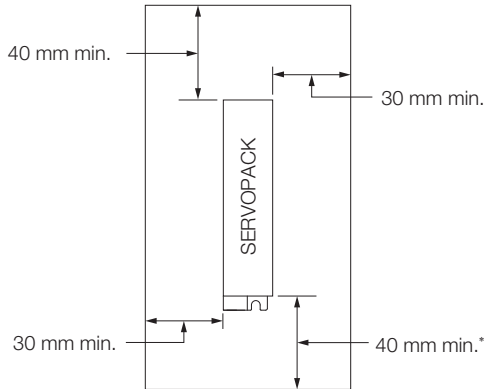
If you are replacing a Σ -V-Series SERVOPACK with a Σ -7-Series SERVOPACK, you can also use the mounting holes that were used for the Σ -V-Series SERVOPACK. Refer to the following table.

SERVOPACK Model		Dimensions (mm)								Screw Size	Number of Screws
		A	B	C	D	E	F	G	H		
SGD7S-	R70A, R90A, 1R6A	168	5	150 ±0.5	40	35	–	35	–	M4	2
	2R8A, R70F, R90F, 2R1F	168	5	150 ±0.5	40	5	–	35	–	M4	2
	3R8A, 5R5A, 7R6A, 2R8F	168	5	150 ±0.5	70	6	58 ±0.5	6	–	M4	3
	120A	168	5	150 ±0.5	90	5	80 ±0.5	5	–	M4	3
	180A, 200A, 120AE0A008	188	5	170 ±0.5	100	95	–	5	90 ±0.5	M4	3
	330A	250	6	238.5 ±0.5	110	5	100 ±0.5	5	100 ±0.5	M5	4
	470A, 550A, 590A, 780A	A special attachment is required. Contact your Yaskawa representative for details.									

3.5 Mounting Interval

3.5.1 Installing One SERVOPACK in a Control Panel


Provide the following spaces around the SERVOPACK.



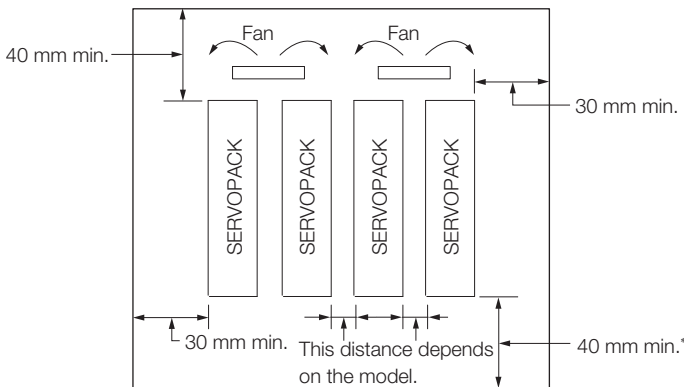
* For this dimension, ignore items protruding from the main body of the SERVOPACK.

3.5.2 Installing More Than One SERVOPACK in a Control Panel

Provide the following intervals between the SERVOPACKs and spaces around the SERVOPACKs.



Important Install cooling fans above the SERVOPACKs so that hot spots do not occur around the SERVOPACKs. Provide sufficient intervals and spaces as shown in the following figure to enable cooling by the fans and natural convection.



* For this dimension, ignore items protruding from the main body of the SERVOPACK.

The space required on the right side of a SERVOPACK (when looking at the SERVOPACK from the front) depends on the SERVOPACK models. Refer to the following table.

SERVOPACK Model		Space on Right Side	Cooling Fan Installation Conditions
			10 mm above SERVOPACK's Top Surface
SGD7S-	R70A, R90A, 1R6A, 2R8A, 3R8A, 5R5A, 7R6A, R70F, R90F, 2R1F, 2R8F	1 mm min.	Air speed: 0.5 m/s min.
	120A, 180A, 200A, 330A, 470A, 550A, 590A, 780A	10 mm min.	Air speed: 0.5 m/s min.

3.6 Monitoring the Installation Environment

You can use the SERVOPACK Installation Environment Monitor parameter to check the operating conditions of the SERVOPACK in the installation environment.

You can check the SERVOPACK installation environment monitor with either of the following methods.

- Using the SigmaWin+: **Life Monitor – Installation Environment Monitor – SERVOPACK**
- Panel Operator or Digital Operator: Un025 (Installation Environment Monitor [%])

Implement one or more of the following actions if the monitor value exceeds 100%.

- Lower the surrounding temperature.
- Decrease the load.

Information The value of the SERVOPACK Installation Environment Monitor parameter will increase by about 10% for each 10°C increase in the ambient temperature.



Important

Always observe the surrounding air temperature given in the SERVOPACK environment conditions. Even if the monitor value is 100% or lower, you cannot use a SERVOPACK in a location that exceeds the specified surrounding air temperature.

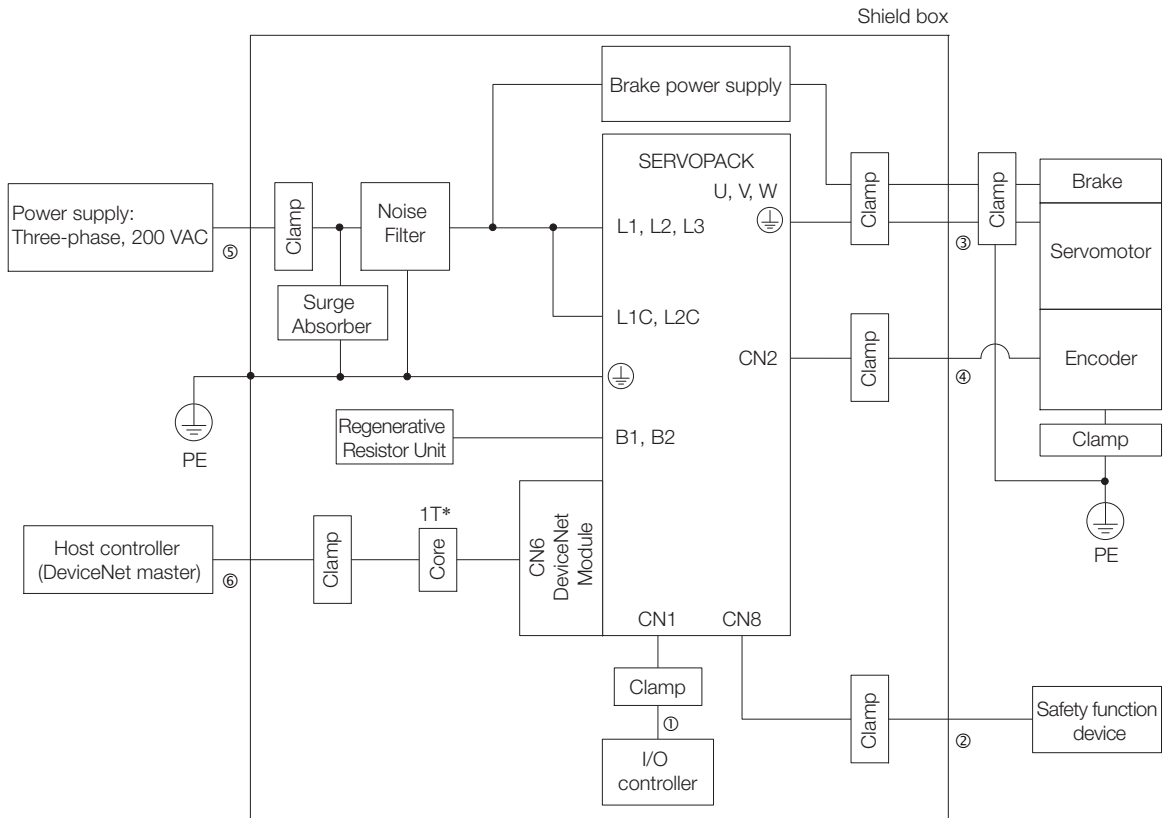
3.7 EMC Installation Conditions

This section gives the installation conditions that were used for EMC certification testing.

The EMC installation conditions that are given here are the conditions that were used to pass testing criteria at Yaskawa. The EMC level may change under other conditions, such as the actual installation structure and wiring conditions. These Yaskawa products are designed to be built into equipment. Therefore, you must implement EMC measures and confirm compliance for the final equipment.

The applicable standards are EN 55011 group 1 class A, EN 61000-6-2, EN 61000-6-4, and EN 61800-3 (category C2, second environment).

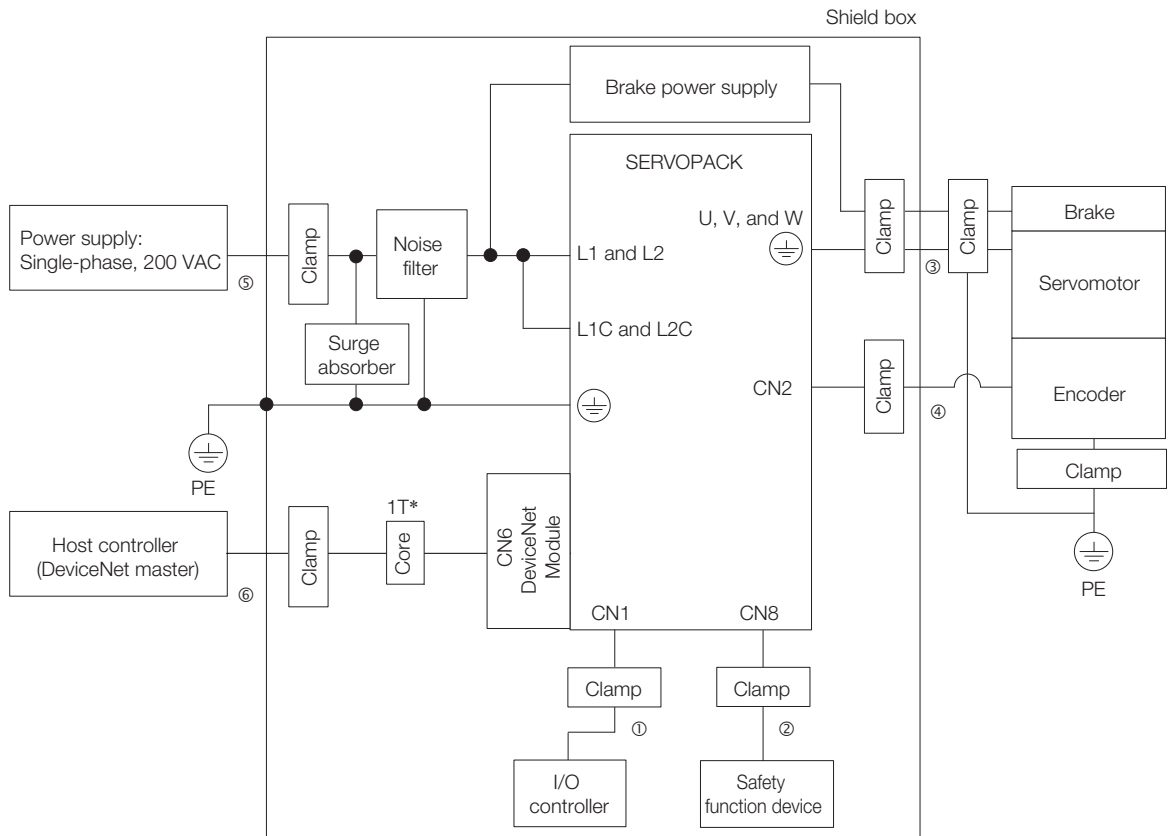
- Three-Phase, 200 VAC



* 1T: 1 turn

Symbol	Cable Name	Specification
①	I/O Signal Cable	Shielded cable
②	Safety Function Device Cable	Shielded cable
③	Servomotor Main Circuit Cable	Shielded cable
④	Encoder Cable	Shielded cable
⑤	Main Circuit Power Cable	Shielded cable
⑥	DeviceNet Communications Cable	Shielded cable

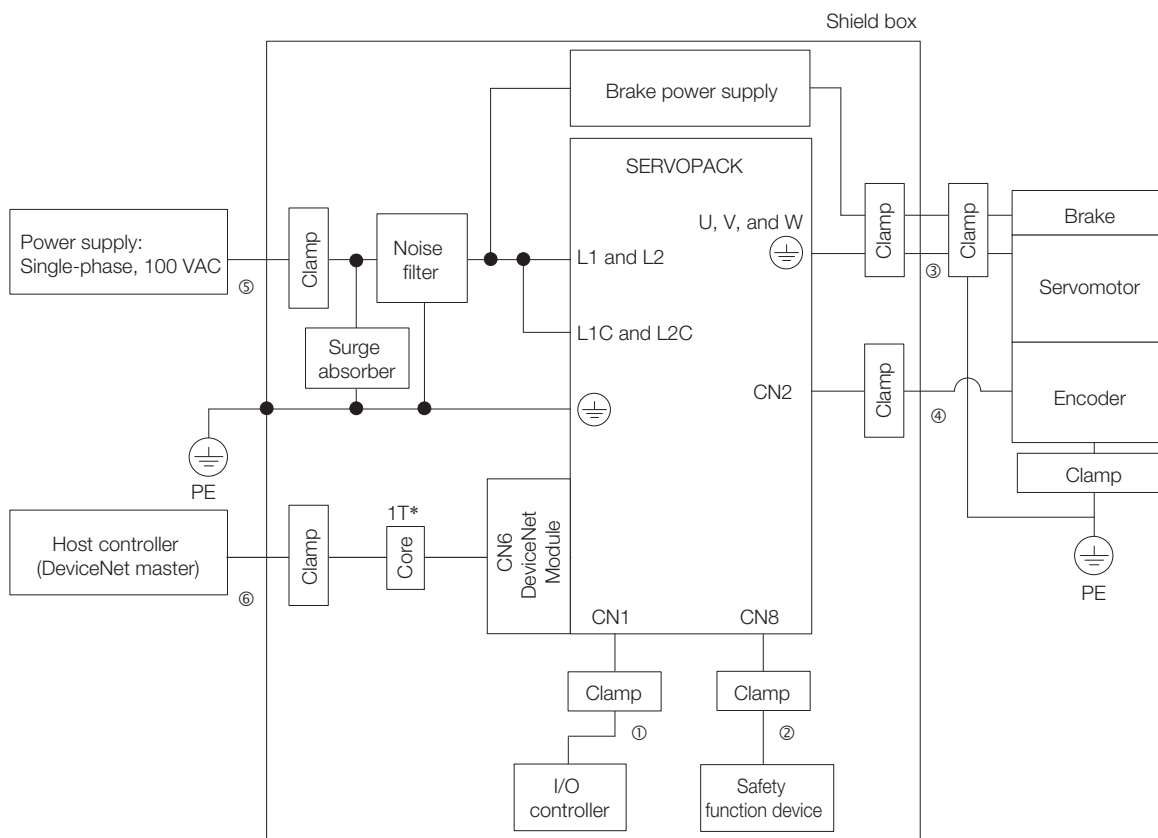
• Single-Phase, 200 VAC



* 1T: 1 turn

Symbol	Cable Name	Specification
①	I/O Signal Cable	Shielded cable
②	Safety Function Device Cable	Shielded cable
③	Servomotor Main Circuit Cable	Shielded cable
④	Encoder Cable	Shielded cable
⑤	Main Circuit Power Cable	Shielded cable
⑥	DeviceNet Communications Cable	Shielded cable

• Single-Phase, 100 VAC



* 1T: 1 turn

Symbol	Cable Name	Specification
①	I/O Signal Cable	Shielded cable
②	Safety Function Device Cable	Shielded cable
③	Servomotor Main Circuit Cable	Shielded cable
④	Encoder Cable	Shielded cable
⑤	Main Circuit Power Cable	Shielded cable
⑥	DeviceNet Communications Cable	Shielded cable

Wiring and Connections

4

This chapter provides information on wiring and connecting SERVOPACKs and DeviceNet Modules to power supplies and peripheral devices.

4.1	Wiring and Connecting SERVOPACKs	4-3
4.1.1	General Precautions	4-3
4.1.2	Countermeasures against Noise	4-6
4.1.3	Grounding	4-9
4.2	Basic Wiring Diagrams	4-10
4.3	Wiring the Power Supply to the SERVOPACK . .	4-11
4.3.1	Terminal Symbols and Terminal Names	4-11
4.3.2	Wiring Procedure for Main Circuit Connector . .	4-13
4.3.3	Power ON Sequence	4-14
4.3.4	Power Supply Wiring Diagrams	4-15
4.3.5	Wiring Regenerative Resistors	4-21
4.3.6	Wiring Reactors for Harmonic Suppression . . .	4-23
4.4	Wiring Servomotors	4-24
4.4.1	Terminal Symbols and Terminal Names	4-24
4.4.2	Pin Arrangement of Encoder Connector (CN2)	4-24
4.4.3	Wiring the SERVOPACK to the Encoder	4-25
4.4.4	Wiring the SERVOPACK to the Holding Brake . .	4-31
4.5	I/O Signal Connections	4-32
4.5.1	I/O Signal Connector (CN1) Names and Functions	4-32
4.5.2	I/O Signal Connector (CN1) Pin Arrangement . .	4-33
4.5.3	I/O Signal Wiring Examples	4-33
4.5.4	I/O Circuits	4-35

4.6 Connecting Safety Function Signals 4-37

- 4.6.1 Pin Arrangement of Safety Function Signals (CN8) 4-37
- 4.6.2 I/O Circuits 4-37

4.7 DeviceNet System Configuration 4-39

- 4.7.1 System Configuration Example for DeviceNet Communications 4-39
- 4.7.2 Connection Examples for DeviceNet Communications Cable 4-40
- 4.7.3 Precautions for Connecting DeviceNet Communications Cables 4-41
- 4.7.4 Signal Names and Functions of the DeviceNet Communications Connector (CN6) 4-44
- 4.7.5 Network Connection Methods 4-45

4.8 Connecting the Other Connectors 4-46

- 4.8.1 Serial Communications Connector (CN3) 4-46
- 4.8.2 Computer Connector (CN7) 4-46
- 4.8.3 Analog Monitor Connector (CN5) 4-46

4.1 Wiring and Connecting SERVOPACKs

4.1.1 General Precautions



DANGER

- Do not change any wiring while power is being supplied.
There is a risk of electric shock or injury.



WARNING

- Wiring and inspections must be performed only by qualified engineers.
There is a risk of electric shock or product failure.
- Check all wiring and power supplies carefully.
Incorrect wiring or incorrect voltage application to the output circuits may cause short-circuit failures. If a short-circuit failure occurs as a result of any of these causes, the holding brake will not work. This could damage the machine or cause an accident that may result in death or injury.
- Connect the AC and DC power supplies to the specified SERVOPACK terminals.
 - Connect an AC power supply to the L1, L2, and L3 terminals and the L1C and L2C terminals on the SERVOPACK.
 - Connect a DC power supply to the B1/⊕ and ⊖2 terminals and the L1C and L2C terminals on the SERVOPACK.
There is a risk of failure or fire.
- If you use a SERVOPACK with the Dynamic Brake Hardware Option, connect an External Dynamic Brake Resistor that is suitable for the machine and equipment specifications to the specified terminals.
There is a risk of unexpected operation, machine damage, burning, or injury when an emergency stop is performed.

CAUTION

- Wait for at least six minutes after turning OFF the power supply (with a SERVOPACK for a 100-VAC input, wait for at least nine minutes) and then make sure that the CHARGE indicator is not lit before starting wiring or inspection work. Do not touch the power supply terminals while the CHARGE lamp is lit after turning OFF the power supply because high voltage may still remain in the SERVOPACK.
There is a risk of electric shock.
- Observe the precautions and instructions for wiring and trial operation precisely as described in this document.
Failures caused by incorrect wiring or incorrect voltage application in the brake circuit may cause the SERVOPACK to fail, damage the equipment, or cause an accident resulting in death or injury.
- Check the wiring to be sure it has been performed correctly.
Connectors and pin layouts are sometimes different for different models. Always confirm the pin layouts in technical documents for your model before operation.
There is a risk of failure or malfunction.
- Connect wires to power supply terminals and motor connection terminals securely with the specified methods and tightening torque.
Insufficient tightening may cause wires and terminal blocks to generate heat due to faulty contact, possibly resulting in fire.
- Use shielded twisted-pair cables or screened unshielded multi-twisted-pair cables for I/O Signal Cables and Encoder Cables.
- Observe the following precautions when wiring the SERVOPACK's main circuit terminals.
 - Turn ON the power supply to the SERVOPACK only after all wiring, including the main circuit terminals, has been completed.
 - If a connector is used for the main circuit terminals, remove the main circuit connector from the SERVOPACK before you wire it.
 - Insert only one wire per insertion hole in the main circuit terminals.
 - When you insert a wire, make sure that the conductor wire (e.g., whiskers) does not come into contact with adjacent wires.
- Install molded-case circuit breakers and other safety measures to provide protection against short circuits in external wiring.
There is a risk of fire or failure.

NOTICE

- Whenever possible, use the Cables specified by Yaskawa.
If you use any other cables, confirm the rated current and application environment of your model and use the wiring materials specified by Yaskawa or equivalent materials.
- Securely tighten cable connector screws and lock mechanisms.
Insufficient tightening may result in cable connectors falling off during operation.
- Do not bundle power lines (e.g., the Main Circuit Cable) and low-current lines (e.g., the I/O Signal Cables or Encoder Cables) together or run them through the same duct. If you do not place power lines and low-current lines in separate ducts, separate them by at least 30 cm. If the cables are too close to each other, malfunctions may occur due to noise affecting the low-current lines.
- Install a battery at either the host controller or on the Encoder Cable.
If you install batteries both at the host controller and on the Encoder Cable at the same time, you will create a loop circuit between the batteries, resulting in a risk of damage or burning.
- When connecting a battery, connect the polarity correctly.
There is a risk of battery rupture or encoder failure.



Important

- Use a molded-case circuit breaker (1QF) or fuse to protect the main circuit. The SERVOPACK connects directly to a commercial power supply; it is not isolated through a transformer or other device. Always use a molded-case circuit breaker (1QF) or fuse to protect the servo system from accidents involving different power system voltages or other accidents.
- Install an earth leakage breaker. The SERVOPACK does not have a built-in ground fault protective circuit. To configure a safer system, install a ground fault detector against overloads and short-circuiting, or install a ground fault detector combined with a molded-case circuit breaker.
- Do not turn the power supply ON and OFF more than necessary.
 - Do not use the SERVOPACK for applications that require the power supply to turn ON and OFF frequently. Such applications will cause elements in the SERVOPACK to deteriorate.
 - After you have started actual operation, allow at least one hour between turning the power supply ON and OFF (as a guideline).

To ensure safe, stable application of the servo system, observe the following precautions when wiring.

- Use the cables specified by Yaskawa. Design and arrange the system so that each cable is as short as possible.

Refer to the following manual for information on the specified cables.

📖 Σ -7-Series Peripheral Device Selection Manual (Manual No.: SIEP S800001 32)

- The signal cable conductors are as thin as 0.2 mm² or 0.3 mm². Do not subject them to excessive bending stress or tension.

4.1.2 Countermeasures against Noise



Important

The SERVOPACK is designed as an industrial device. It therefore provides no measures to prevent radio interference. The SERVOPACK uses high-speed switching elements in the main circuit. Therefore peripheral devices may be affected by switching noise.

If the equipment is to be used near private houses or if radio interference is a problem, take countermeasures against noise.


The SERVOPACK uses microprocessors. Therefore, it may be affected by switching noise from peripheral devices.

To prevent the noise from the SERVOPACK or the peripheral devices from causing malfunctions of any devices, take the following countermeasures against noise as required.

- Install the input reference device and Noise Filter as close to the SERVOPACK as possible.
- Always install a Surge Absorber for relays, solenoids, and Magnetic Contactor coils.
- Do not place the following cables in the same duct or bundle them together. Also, separate the cables from each other by at least 30 cm.
 - Main Circuit Cables and I/O Signal Cables
 - Main Circuit Cables and Encoder Cables
- Do not share the power supply with an electric welder or electrical discharge machine. If the SERVOPACK is placed near a high-frequency generator, install Noise Filters on the input side on the Main Circuit Power Supply Cable and Control Power Supply Cable even if the same power supply is not shared with the high-frequency generator. Refer to the following section for information on connecting Noise Filters.

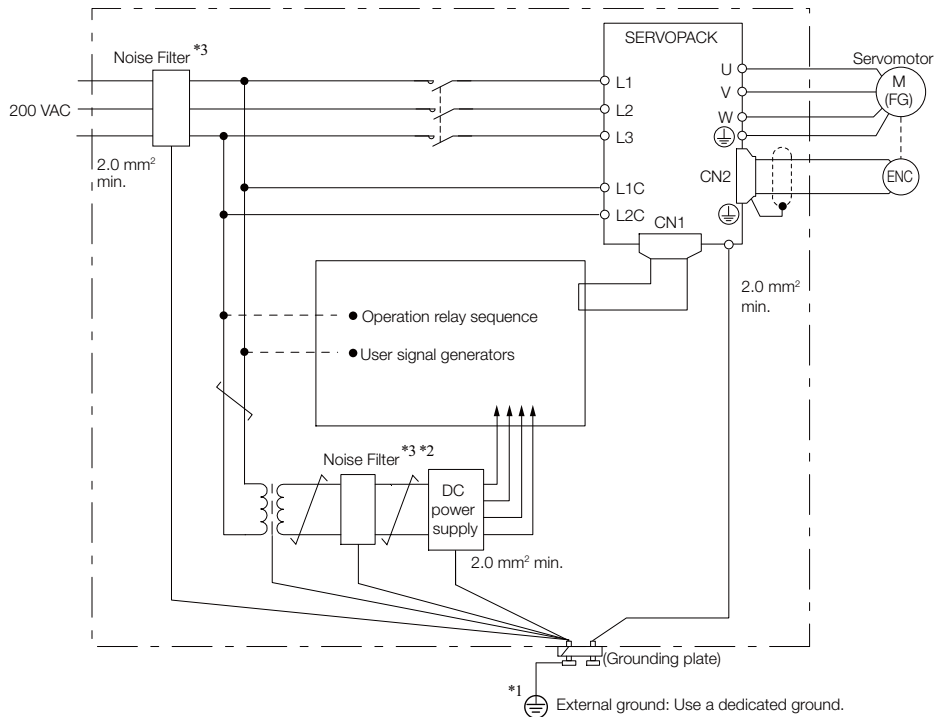
 *Noise Filters on page 4-7*

- Implement suitable grounding measures. Refer to the following section for information on grounding measures.

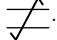
 *4.1.3 Grounding on page 4-9*

Noise Filters


You must attach Noise Filters in appropriate places to protect the SERVOPACK from the adverse effects of noise. The following is an example of wiring for countermeasures against noise.



*1. For the ground wire, use a wire with a thickness of at least 2.0 mm² (preferably, flat braided copper wire).

*2. Whenever possible, use twisted-pair wires to wire all connections marked with .

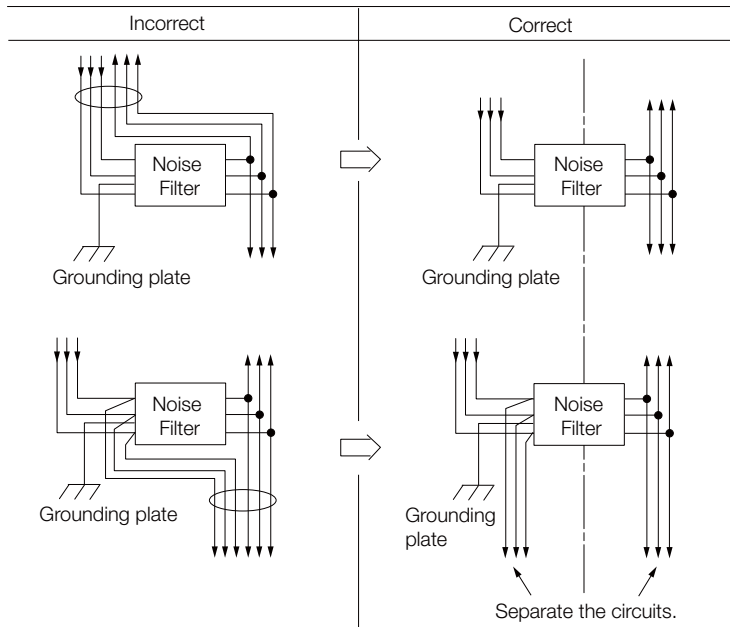
*3. Refer to the following section for precautions when using Noise Filters.

 **Noise Filter Wiring and Connection Precautions** on page 4-8

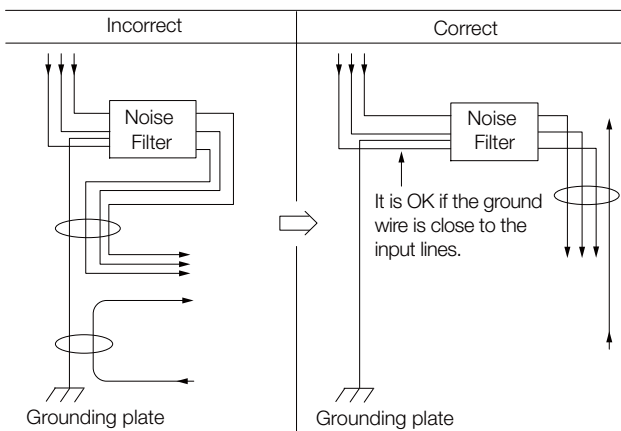
Noise Filter Wiring and Connection Precautions

Always observe the following precautions when wiring or connecting Noise Filters.

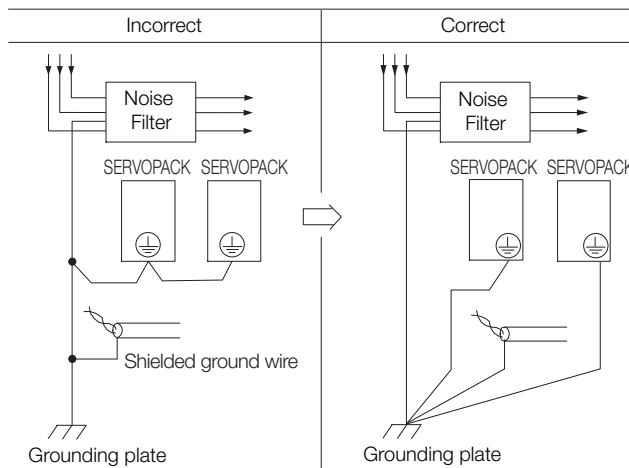
- Separate input lines from output lines. Do not place input lines and output lines in the same duct or bundle them together.



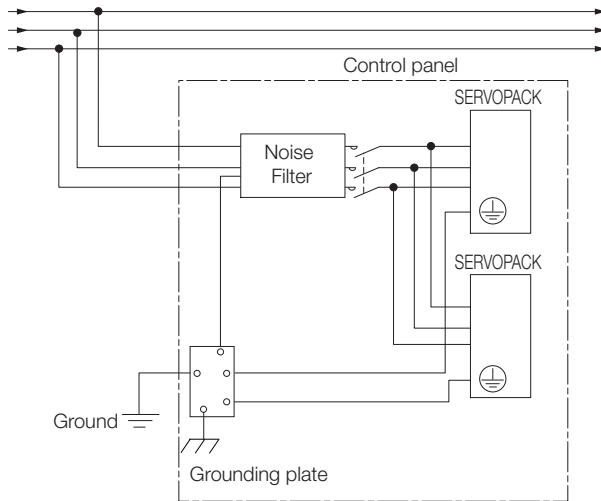
- Separate the Noise Filter ground wire from the output lines. Do not place the Noise Filter ground wire, output lines, and other signal lines in the same duct or bundle them together.



- Connect the Noise Filter ground wire directly to the grounding plate. Do not connect the Noise Filter ground wire to other ground wires.



- If a Noise Filter is located inside a control panel, first connect the Noise Filter ground wire and the ground wires from other devices inside the control panel to the grounding plate for the control panel, then ground the plate.



4.1.3 Grounding

Implement grounding measures as described in this section. Implementing suitable grounding measures will also help prevent malfunctions, which can be caused by noise.

Observe the following precautions when wiring the ground cable.

- Ground the SERVOPACK to a resistance of 100 Ω or less.
- Be sure to ground at one point only.
- Ground the Servomotor directly if the Servomotor is insulated from the machine.

Motor Frame Ground or Motor Ground

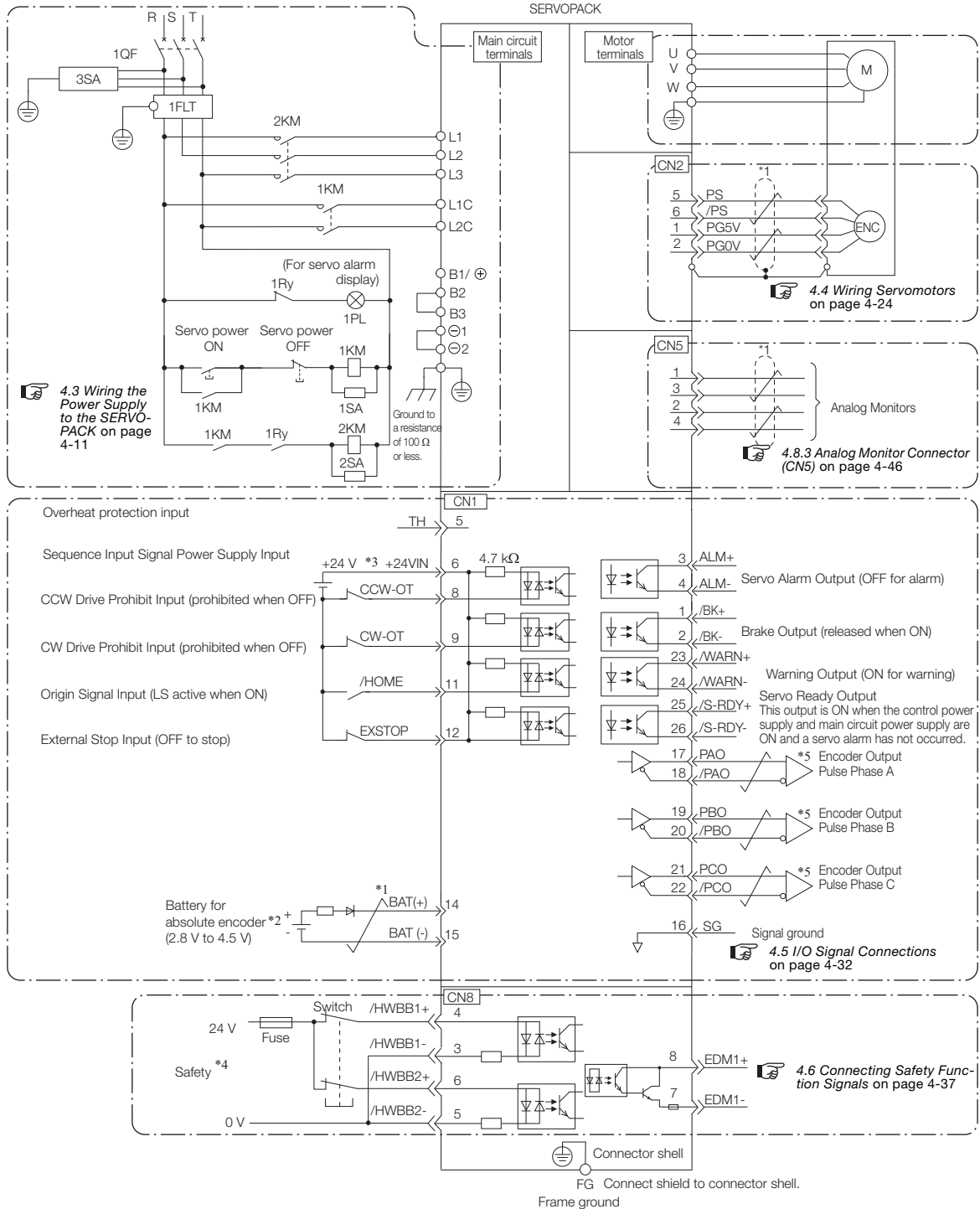
If you ground the Servomotor through the machine, switching noise current can flow from the main circuit of the SERVOPACK through the stray capacitance of the Servomotor. To prevent this, always connect the motor frame terminal (FG) or ground terminal (FG) of the Servomotor to the ground terminal (⊕) on the SERVOPACK. Also be sure to ground the ground terminal (⊕). Ground both the Moving Coil and Magnetic Way of a Linear Servomotor.

Noise on I/O Signal Cables

If noise enters the I/O Signal Cable, connect the shield of the I/O Signal Cable to the connector shell to ground it. If the Servomotor Main Circuit Cable is placed in a metal conduit, ground the conduit and its junction box. For all grounding, ground at one point only.

4.2 Basic Wiring Diagrams

This section provide the basic wiring diagrams. Refer to the reference sections given in the diagrams for details.



- *1. represents twisted-pair wires.
- *2. Connect these when using an absolute encoder. If the Encoder Cable with a Battery Case is connected, do not connect a backup battery.
- *3. The 24-VDC power supply is not provided by Yaskawa. Use a 24-VDC power supply with double insulation or reinforced insulation.
- *4. Refer to the following chapter if you use a safety function device.
Chapter 11 Safety Functions
 If you do not use the safety function, insert the Safety Jumper Connector (provided as an accessory) into CN8 when you use the SERVOPACK.
- *5. Always use line receivers to receive the output signals.

Note: If you use a 24-V brake, install a separate power supply for the 24-VDC power supply from other power supplies, such as the one for the I/O signals of the CN1 connector. If the power supply is shared, the I/O signals may malfunction.

4.3 Wiring the Power Supply to the SERVOPACK

4.3.1 Terminal Symbols and Terminal Names



Use the main circuit connector on the SERVOPACK to wire the main circuit power supply and control circuit power supply to the SERVOPACK.


CAUTION

- Wire all connections correctly according to the following table and specified reference information. There is a risk of SERVOPACK failure or fire if incorrect wiring is performed.

The SERVOPACKs have the following four types of main circuit power supply input specifications.

• **Three-Phase, 200-VAC Power Supply Input**



Terminal Symbols	Terminal Name	Specifications and Reference
L1, L2, L3	Main circuit power supply input terminals for AC power supply input	Three-phase, 200 VAC to 240 VAC, -15% to +10%, 50 Hz/60 Hz
L1C, L2C	Control power supply terminals	Single-phase, 200 VAC to 240 VAC, -15% to +10%, 50 Hz/60 Hz
B1/⊕, B2, B3	Regenerative Resistor terminals	<p> 4.3.5 Wiring Regenerative Resistors on page 4-21</p> <p>■ For SGD7S-R70A, -R90A, -1R6A, and -2R8A If the regenerative capacity is insufficient, connect an External Regenerative Resistor between B1/⊕ and B2. The External Regenerative Resistor is not included. Obtain it separately.</p> <p>■ For SGD7S-3R8A, -5R5A, -7R6A, -120A, -180A, -200A, and -330A If the internal regenerative resistor is insufficient, remove the lead or short bar between B2 and B3 and connect an External Regenerative Resistor between B1/⊕ and B2. The External Regenerative Resistor is not included. Obtain it separately.</p> <p>■ For SGD7S-470A, -550A, -590A, and -780A Connect a Regenerative Resistor Unit between B1/⊕ and B2. Obtain a Regenerative Resistor Unit separately. These models do not have a B3 terminal.</p>
⊖1, ⊖2	DC Reactor terminals for power supply harmonic suppression	<p> 4.3.6 Wiring Reactors for Harmonic Suppression on page 4-23</p> <p>These terminals are used to connect a DC Reactor for power supply harmonic suppression or power factor improvement.</p>
⊖	–	None. (Do not connect anything to this terminal.)

• **Single-Phase, 200-VAC Power Supply Input**

Terminal Symbols	Terminal Name	Specifications and Reference
L1, L2	Main circuit power supply input terminals for AC power supply input	Single-phase, 200 VAC to 240 VAC, -15% to +10%, 50 Hz/60 Hz
L1C, L2C	Control power supply terminals	Single-phase, 200 VAC to 240 VAC, -15% to +10%, 50 Hz/60 Hz

Continued on next page.

Continued from previous page.

Terminal Symbols	Terminal Name	Specifications and Reference
B1/⊕, B2, B3	Regenerative Resistor terminals	<p> 4.3.5 <i>Wiring Regenerative Resistors</i> on page 4-21</p> <p>■ For SGD7S-R70A, -R90A, -1R6A, and -2R8A If the regenerative capacity is insufficient, connect an External Regenerative Resistor between B1/⊕ and B2. The External Regenerative Resistor is not included. Obtain it separately.</p> <p>■ For SGD7S-5R5A and -120AE0A008 If the internal regenerative resistor is insufficient, remove the lead or short bar between B2 and B3 and connect an External Regenerative Resistor between B1/⊕ and B2. The External Regenerative Resistor is not included. Obtain it separately.</p>
⊖1, ⊖2	DC Reactor terminals for power supply harmonic suppression	<p> 4.3.6 <i>Wiring Reactors for Harmonic Suppression</i> on page 4-23</p> <p>These terminals are used to connect a DC Reactor for power supply harmonic suppression or power factor improvement.</p>
L3, ⊖	–	None. (Do not connect anything to these terminals.)

You can use a single-phase, 200-V power supply input with the following models.

- SGD7S-R70A, -R90A, -1R6A, -2R8A, -5R5A

If you use a single-phase, 200-VAC power supply input for the SERVOPACK’s main circuit power supply, set parameter Pn00B to n.□1□□ (Use a three-phase power supply input as a single-phase power supply input). Refer to the following section for details.

 5.2.2 *Single-phase AC Power Supply Input/Three-phase AC Power Supply Input Setting* on page 5-14

Information You do not need to change the setting of Pn00B to n.□1□□ (Use a three-phase power supply input as a single-phase power supply input) for a SERVOPACK with a single-phase 200-VAC power supply input (model number: SGD7S-120AE0A008).


• DC Power Supply Input

Terminal Symbols	Terminal Name	Specifications and Reference
L1C, L2C	Control power supply terminals	L1C: 270 VDC to 324 VDC, -15% to +10%, L2C: 0 VDC Or L2C: 270 VDC to 324 VDC, -15% to +10%, L1C: 0 VDC
B1/⊕	Main circuit power supply input terminals for DC power supply input	270 VDC to 324 VDC, -15% to +10%
⊖2		0 VDC
L1, L2, L3, B2, B3, ⊖1, ⊖	–	None. (Do not connect anything to these terminals.)

If you use a DC power supply input to the SERVOPACK, make sure to set parameter Pn00E to n.□□□1 (DC power supply input supported) before inputting the power supply. Refer to the following section for details.

 5.2.1 *AC Power Supply Input/DC Power Supply Input Setting* on page 5-13

• Single-Phase, 100-VAC Power Supply Input

Terminal Symbols	Terminal Name	Specifications and Reference
L1, L2	Main circuit power supply input terminals for AC power supply input	Single-phase, 100 VAC to 120 VAC, -15% to +10%, 50 Hz/60 Hz
L1C, L2C	Control power supply terminals	Single-phase, 100 VAC to 120 VAC, -15% to +10%, 50 Hz/60 Hz
B1, B2	Regenerative Resistor terminals	<p> 4.3.5 <i>Wiring Regenerative Resistors</i> on page 4-21</p> <p>If the regenerative capacity is insufficient, connect an External Regenerative Resistor between B1/⊕ and B2. The External Regenerative Resistor is not included. Obtain it separately.</p>

You can use a single-phase, 100-VAC power supply input with the following models.

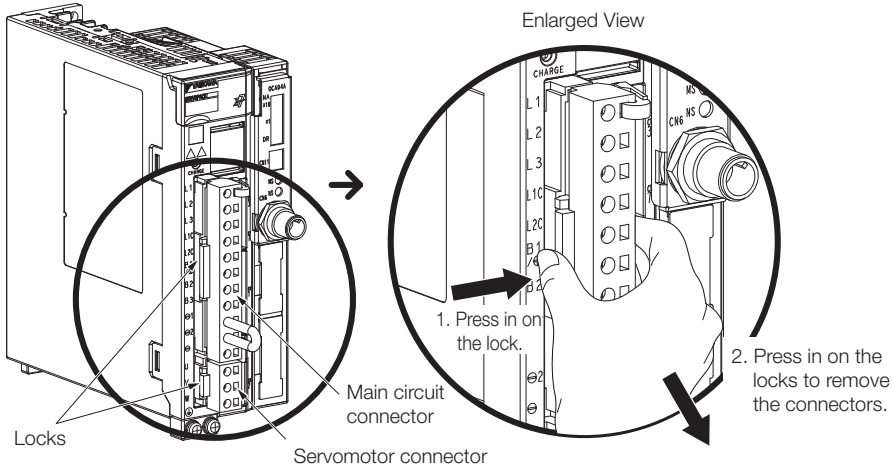
- SGD7S-R70F, -R90F, -2R1F, and -2R8F

4.3.2 Wiring Procedure for Main Circuit Connector

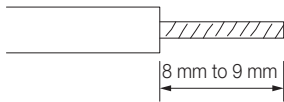
• Required Items

Required Item	Remarks
Spring Opener or Flat-blade Screwdriver	• Spring Opener SERVOPACK accessory (You can also use model 1981045-1 from Tyco Electronics Japan G.K.)
	• Flat-blade screwdriver Commercially available screwdriver with tip width of 3.0 mm to 3.5 mm

1. Remove the main circuit connector and motor connector from the SERVOPACK.



2. Remove the sheath from the wire to connect.



3. Open the wire insertion hole on the terminal connector with the tool. There are the following two ways to open the insertion hole. Use either method.

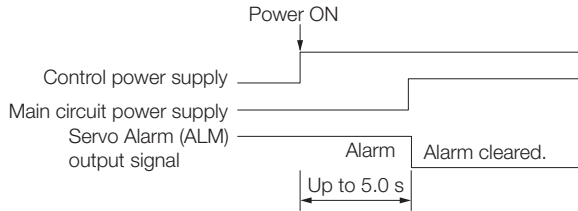
① Using a Spring Opener	② Using a Flat-blade Screwdriver
Open the insertion hole with the Spring Opener as shown in the figure.	Firmly insert a flat-blade screwdriver into the screwdriver insertion hole to open the wire insertion hole.

4. Insert the conductor into the wire insertion hole. Then, remove the Spring Opener or flat-blade screwdriver.
5. Make all other connections in the same way.
6. When you have completed wiring, attach the connectors to the SERVOPACK.

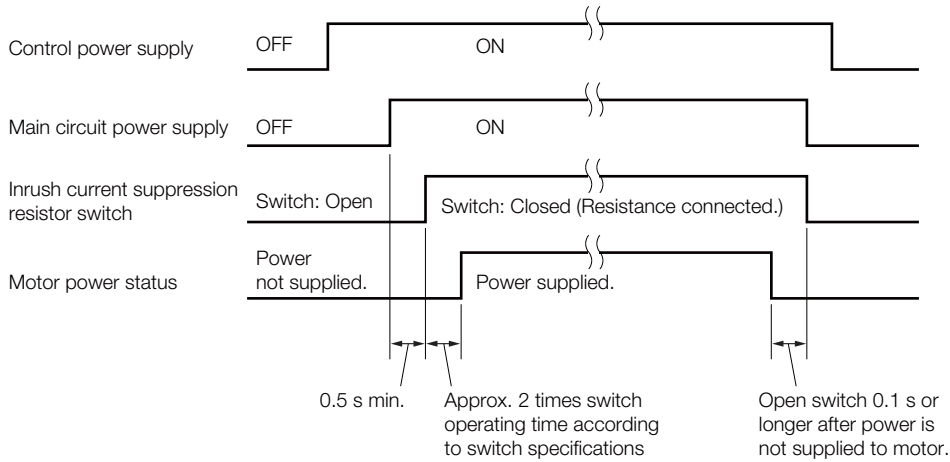
4.3.3 Power ON Sequence

Consider the following points when you design the power ON sequence.

- The ALM (Servo Alarm) signal is output for up to five seconds when the control power supply is turned ON. Take this into consideration when you design the power ON sequence, and turn ON the main circuit power supply to the SERVOPACK when the ALM signal is OFF (alarm cleared).



- If you use a DC power supply input with any of the following SERVOPACKs, use the power ON sequence shown below: SGD7S-330A, -470A, -550A, -590A, or -780A.



- Design the power ON sequence so that main circuit power supply is turned OFF when an ALM (Servo Alarm) signal is output.
- Make sure that the power supply specifications of all parts are suitable for the input power supply.
- Allow at least 1 s after the power supply is turned OFF before you turn it ON again.

Important Turn ON the control power supply and the main circuit power supply at the same time or turn ON the control power supply before the main circuit power supply.
Turn OFF the main circuit power supply first, and then turn OFF the control power supply.

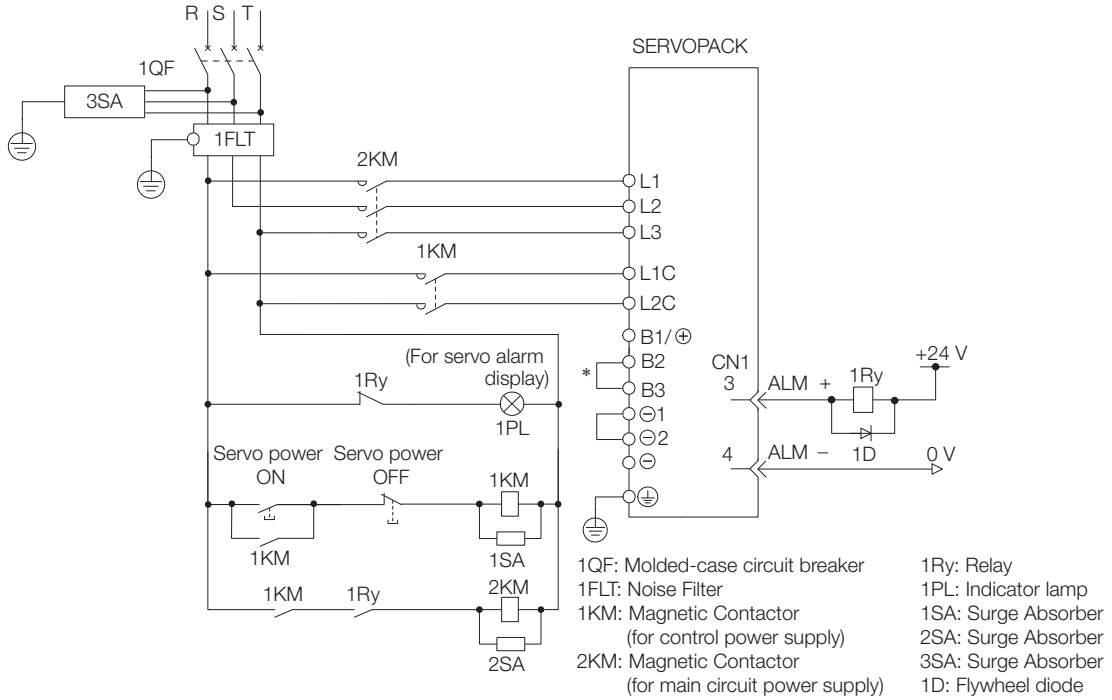
WARNING

- Even after you turn OFF the power supply, a high residual voltage may still remain in the SERVOPACK. To prevent electric shock, do not touch the power supply terminals after you turn OFF the power. When the voltage is discharged, the CHARGE indicator will turn OFF. Make sure the CHARGE indicator is OFF before you start wiring or inspection work.

4.3.4 Power Supply Wiring Diagrams

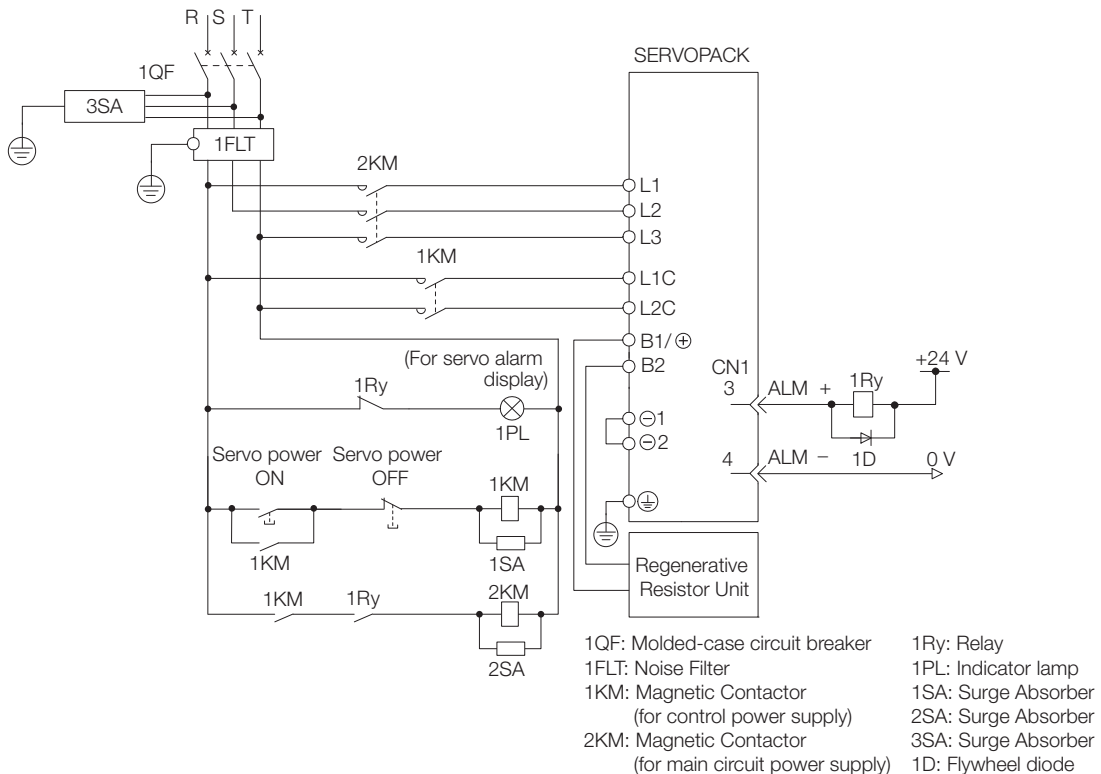
Using Only One SERVOPACK

- Wiring Example for Three-Phase, 200-VAC Power Supply Input: SGD7S-R70A, -R90A, -1R6A, -2R8A, -3R8A, -5R5A, -7R6A, -120A, -180A, -200A, or -330A



* You do not have to connect B2 and B3 for the following models: SGD7S-R70A, SGD7S-R90A, SGD7S-1R6A, and SGD7S-2R8A. Do not connect them.

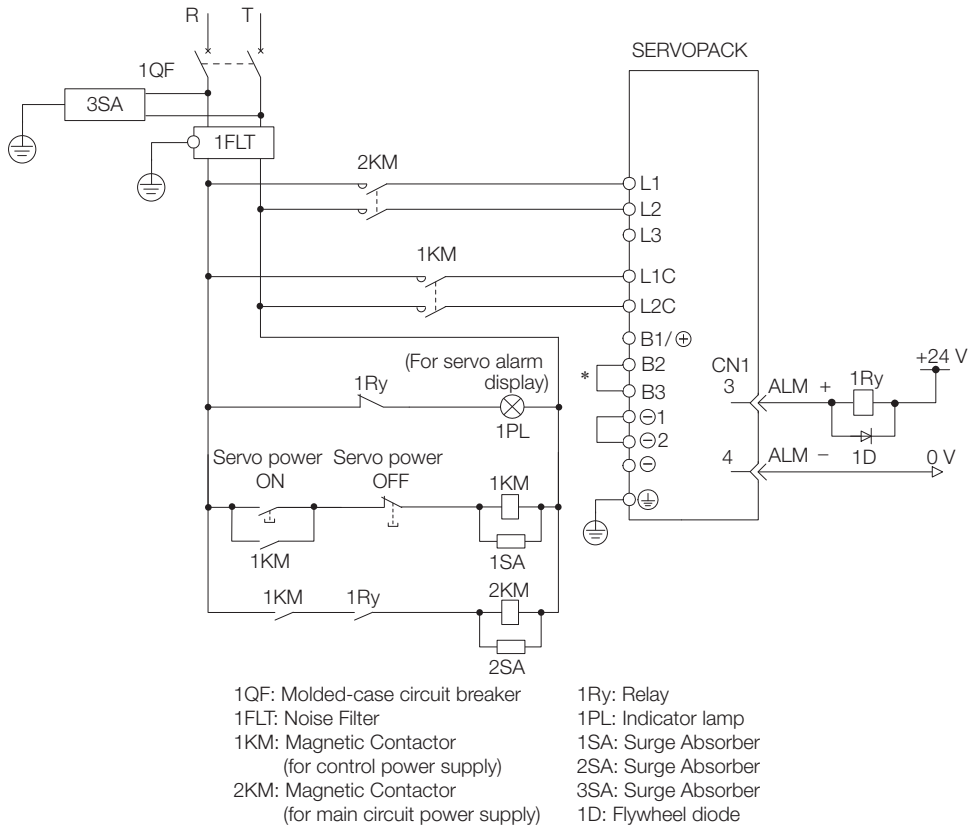
- Wiring Example for Three-Phase, 200-VAC Power Supply Input: SGD7S-470A, -550A, -590A, and -780A



4.3 Wiring the Power Supply to the SERVOPACK

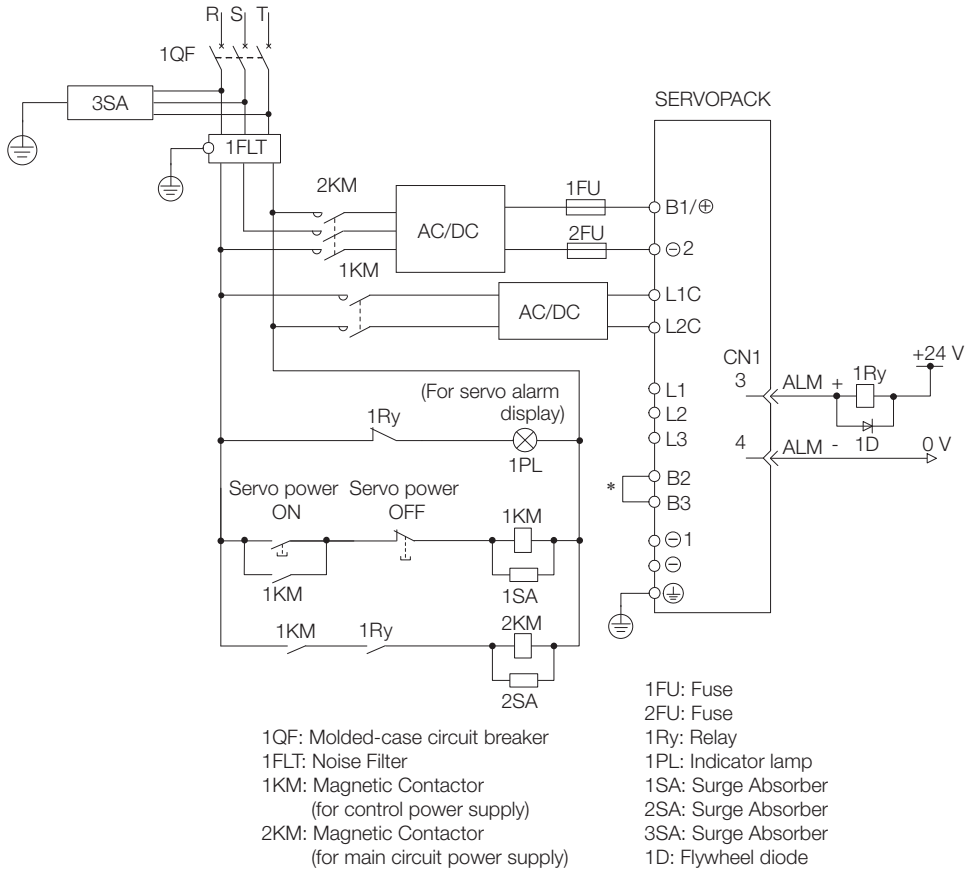
4.3.4 Power Supply Wiring Diagrams

- Wiring Example for Single-Phase, 200-VAC Power Supply Input



* You do not have to connect B2 and B3 for the following models: SGD7S-R70A, SGD7S-R90A, SGD7S-1R6A, and SGD7S-2R8A. Do not connect them.

- Wiring Example for DC Power Supply Input: SGD7S-R70A, -R90A, -1R6A, -2R8A, -3R8A, -5R5A, -7R6A, -120A, -180A, or -200A

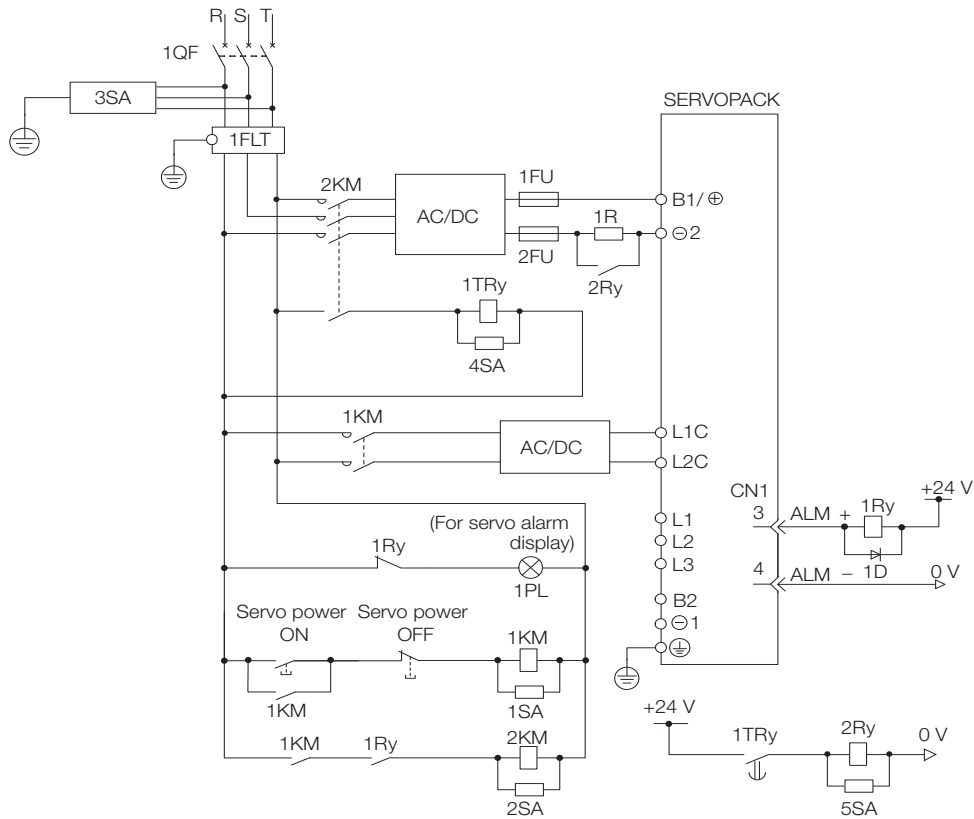


* You do not have to connect B2 and B3 for the following models: SGD7S-R70A, SGD7S-R90A, SGD7S-1R6A, and SGD7S-2R8A. Do not connect them.

4.3 Wiring the Power Supply to the SERVOPACK

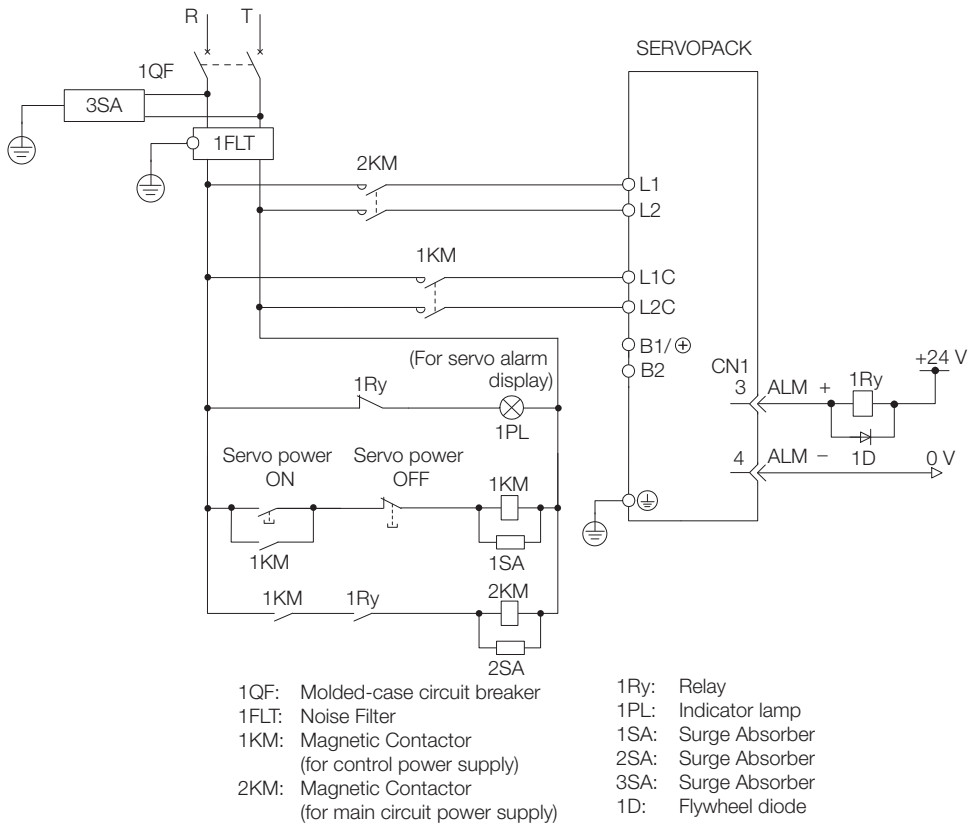
4.3.4 Power Supply Wiring Diagrams

- Wiring Example for DC Power Supply Input: SGD7S-330A, -470A, -550A, -590A, and -780A



- 1QF: Molded-case circuit breaker
- 1FLT: Noise Filter
- 1KM: Magnetic Contactor
(for control power supply)
- 2KM: Magnetic Contactor
(for main circuit power supply, auxiliary contact)
- 1FU: Fuse, positive side
- 2FU: Fuse, negative side
- 1Ry: Relay
- 2Ry: Relay (for inrush current suppression resistor switch)
- 1TRy: Timer relay
- 1PL: Indicator lamp
- 1SA: Surge Absorber
- 2SA: Surge Absorber
- 3SA: Surge Absorber
- 4SA: Surge Absorber
- 5SA: Surge Absorber
- 1D: Flywheel diode
- 1R: External inrush current suppression resistor

- Wiring Example for Single-Phase, 100-VAC Power Supply Input: SGD7S-R70F, -R90F, -2R1F, or -2R8F



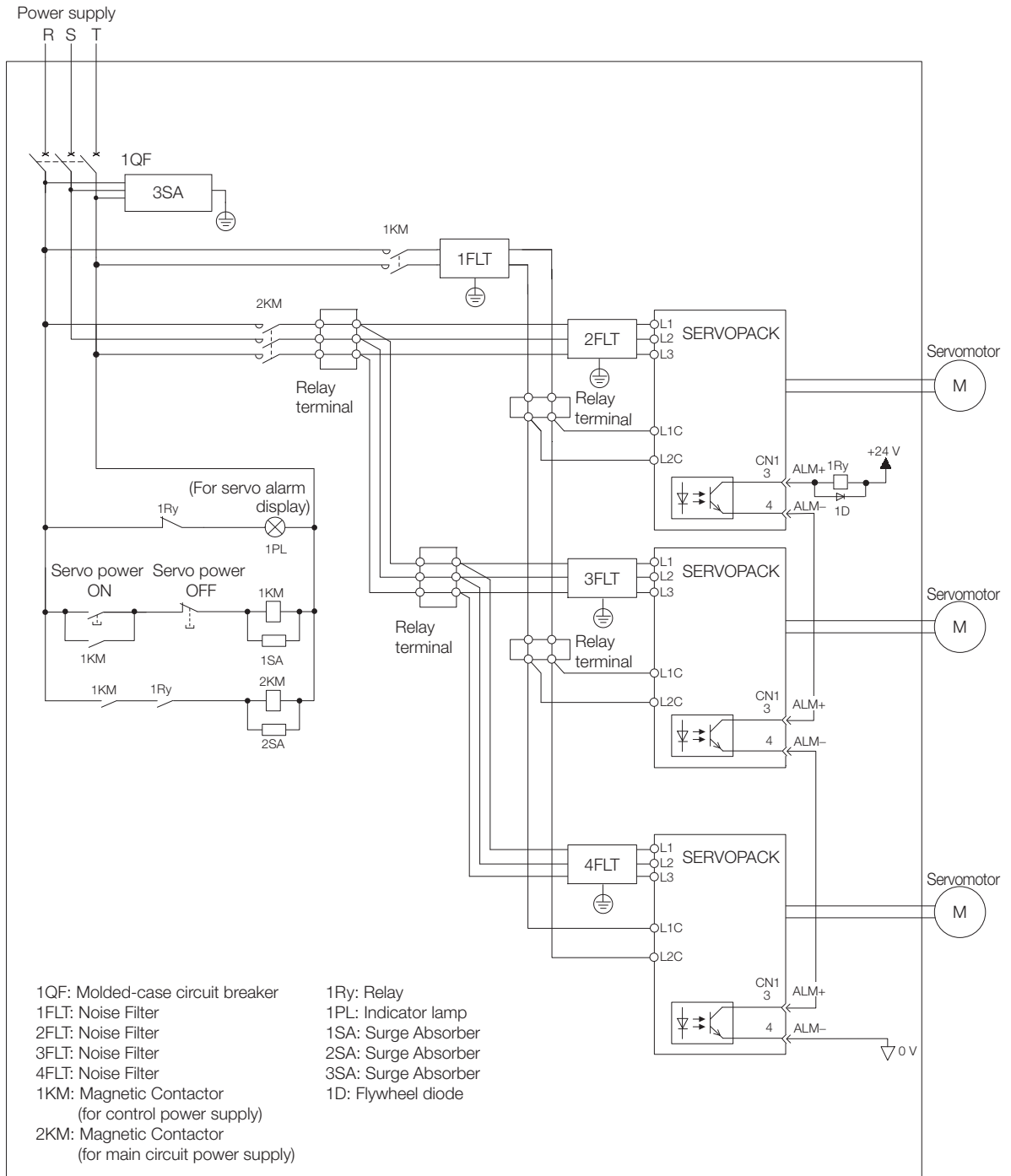
Using More Than One SERVOPACK

Connect the ALM (Servo Alarm) output for these SERVOPACKs in series to operate the alarm detection relay (1RY).

When a SERVOPACK alarm is activated, the ALM output signal transistor turns OFF.

The following diagram shows the wiring to stop all of the Servomotors when there is an alarm for any one SERVOPACK.

More than one SERVOPACK can share a single Noise Filter. However, always select a Noise Filter that has a large enough capacity to handle the total power supply capacity of all the SERVOPACKs. Be sure to consider the load conditions.



4.3.5 Wiring Regenerative Resistors

This section describes how to connect External Regenerative Resistors.

Refer to the following manual to select External Regenerative Resistors.

📖 [Σ-7-Series Peripheral Device Selection Manual \(Manual No.: SIEP S800001 32\)](#)

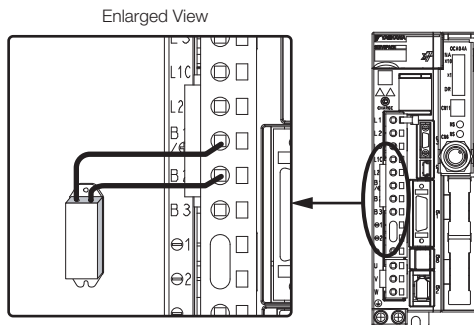
! WARNING

- Be sure to wire Regenerative Resistors correctly. Do not connect B1/⊕ and B2. Doing so may result in fire or damage to the Regenerative Resistor or SERVOPACK.

Connecting Regenerative Resistors

- ◆ SERVOPACK Models SGD7S-R70A, -R90A, -1R6A, -2R8A, -R70F, -R90F, -2R1F, and -2R8F

1. Connect the External Regenerative Resistor between the B1/⊕ and B2 terminals on the SERVOPACK.



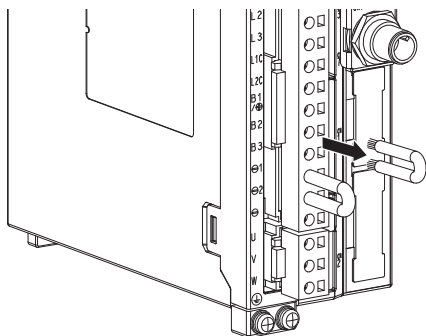
2. Set Pn600 (Regenerative Resistor Capacity) and Pn603 (Regenerative Resistor Resistance).

Refer to the following section for details on the settings.

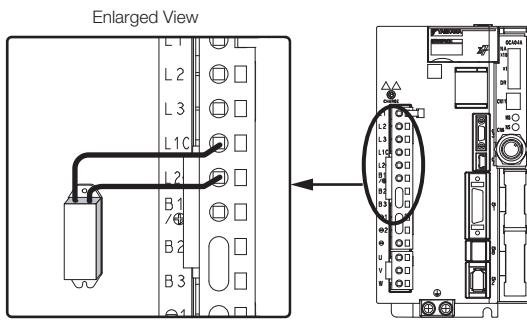
📖 [5.17 Setting the Regenerative Resistor Capacity on page 5-51](#)

- ◆ SERVOPACK Models SGD7S-3R8A, -5R5A, -7R6A, -120A, -180A, -200A, and -330A

1. Remove the lead from between the B2 and B3 terminals on the SERVOPACK.



2. Connect the External Regenerative Resistor between the B1/⊕ and B2 terminals.

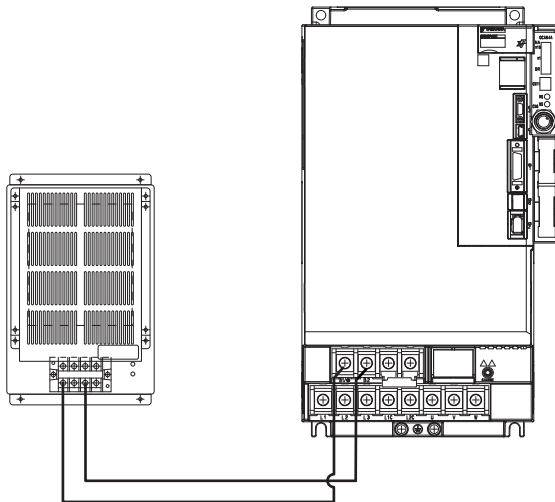


3. Set Pn600 (Regenerative Resistor Capacity) and Pn603 (Regenerative Resistor Resistance). Refer to the following section for details on the settings.

5.17 Setting the Regenerative Resistor Capacity on page 5-51

◆ **SERVOPACK Models SGD7S-470A, -550A, -590A, and -780A**

1. Connect the R1 and R2 terminals on the Regenerative Resistor Unit to the B1/⊕ and B2 terminals on the SERVOPACK.



2. Set Pn600 (Regenerative Resistor Capacity) and Pn603 (Regenerative Resistor Resistance) as required.
 - When using the Yaskawa-recommended Regenerative Resistor Unit, use the default settings for Pn600 and Pn603.
 - If you use any other external regenerative resistor, set Pn600 and Pn603 according to the specifications of the regenerative resistor.

Refer to the following section for details on the settings.

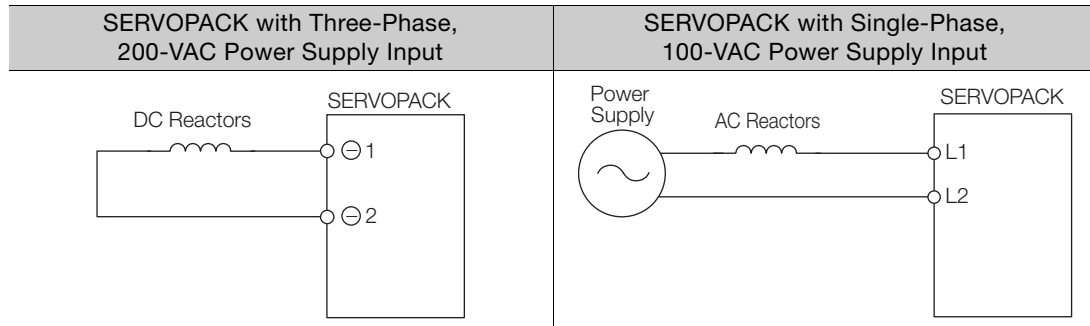
5.17 Setting the Regenerative Resistor Capacity on page 5-51

4.3.6 Wiring Reactors for Harmonic Suppression

You can connect a reactor for harmonic suppression to the SERVOPACK when power supply harmonic suppression is required. Refer to the following manual for details on reactors for harmonic suppression.

📖 Σ -7-Series Peripheral Device Selection Manual (Manual No.: SIEP S800001 32)

Refer to the following figures to connect reactors.





- Note:
1. Connection terminals Θ 1 and Θ 2 for a DC Reactor are connected when the SERVOPACK is shipped. Remove the lead wire and connect a DC Reactor.
 2. Reactors are optional products. (Purchase them separately.)
 3. You cannot connect a DC Reactor to a SERVOPACK with a single-phase, 100-VAC power supply input.

4.4 Wiring Servomotors

4.4.1 Terminal Symbols and Terminal Names

The SERVOPACK terminals or connectors that are required to connect the SERVOPACK to a Servomotor are given below.

Terminal/Connector Symbols	Terminal/Connector Name	Remarks
U, V, and W	Servomotor terminals	Refer to the following section for the wiring procedure.  4.3.2 Wiring Procedure for Main Circuit Connector on page 4-13
	Ground terminal	–
CN2	Encoder connector	–

4.4.2 Pin Arrangement of Encoder Connector (CN2)

- When Using a Rotary Servomotor

Pin No.	Signal	Function
1	PG5V	Encoder power supply +5 V
2	PG0V	Encoder power supply 0 V
3	BAT (+)*	Battery for absolute encoder (+)
4	BAT (-)*	Battery for absolute encoder (-)
5	PS	Serial data (+)
6	/PS	Serial data (-)
Shell	Shield	–

* No wiring is required for an incremental encoder or a batteryless absolute encoder.

- When Using a Direct Drive Servomotor

Pin No.	Signal	Function
1	PG5V	Encoder power supply +5 V
2	PG0V	Encoder power supply 0 V
3	–	– (Do not use.)
4	–	– (Do not use.)
5	PS	Serial data (+)
6	/PS	Serial data (-)
Shell	Shield	–

- When Using a Linear Servomotor


Pin No.	Signal	Function
1	PG5V	Linear encoder power supply +5 V
2	PG0V	Linear encoder power supply 0 V
3	–	– (Do not use.)
4	–	– (Do not use.)
5	PS	Serial data (+)
6	/PS	Serial data (-)
Shell	Shield	–

4.4.3 Wiring the SERVOPACK to the Encoder

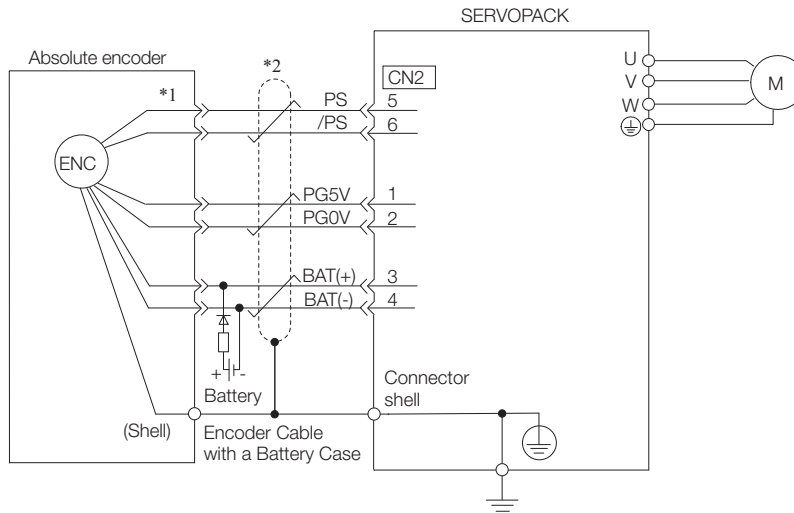
When Using an Absolute Encoder

If you use an absolute encoder, use an Encoder Cable with a JUSP-BA01-E Battery Case or install a battery on the host controller.

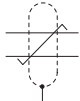
Refer to the following section for the battery replacement procedure.

 14.1.3 Replacing the Battery on page 14-3

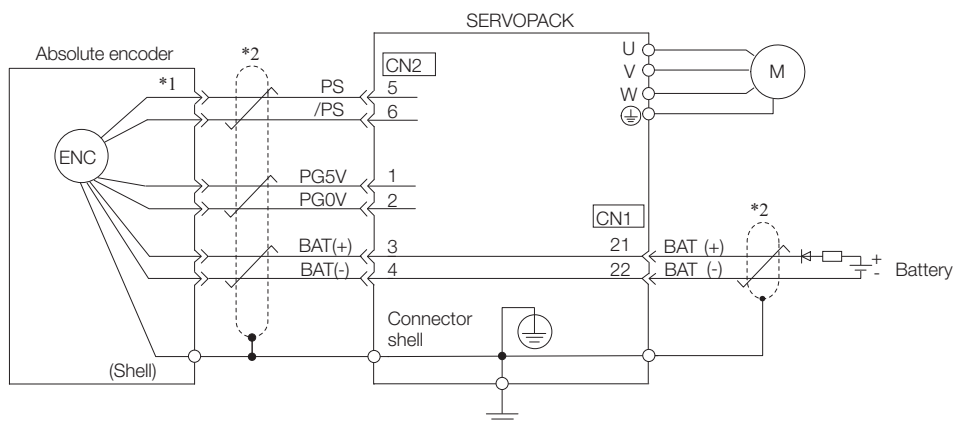
- Wiring Example When Using an Encoder Cable with a Battery Case



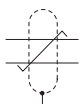
*1. The absolute encoder pin numbers for wiring the connector depend on the Servomotor that you use.


*2.  represents a shielded twisted-pair cable.

- Wiring Example When Installing a Battery on the Host Controller




*1. The absolute encoder pin numbers for wiring the connector depend on the Servomotor that you use.

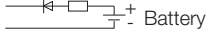
*2.  represents a shielded twisted-pair cable.



Important

- When Installing a Battery on the Encoder Cable
Use the Encoder Cable with a Battery Case that is specified by Yaskawa. Refer to the following manual for details.
 Σ -7-Series Peripheral Device Selection Manual (Manual No.: SIEP S800001 32)
- When Installing a Battery on the Host Controller
Insert a diode near the battery to prevent reverse current flow.

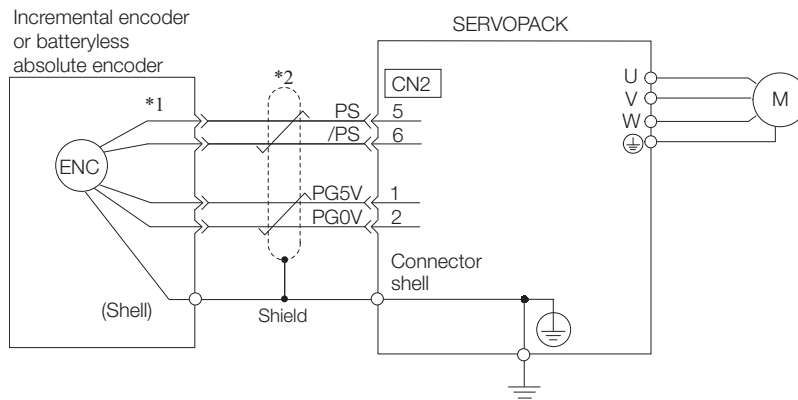
Circuit Example



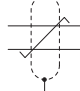
Required Component Specifications

- Schottky Diode
Reverse Voltage: $V_r \geq 40\text{ V}$
Forward Voltage: $V_f \leq 0.37\text{ V}$
Reverse current: $I_r \leq 5\ \mu\text{A}$
Junction temperature: $T_j \geq 125^\circ\text{C}$
- Resistor
Resistance: $22\ \Omega$
Tolerance: $\pm 5\%$ max.
Rated power: 0.25 W min.

When Using an Incremental Encoder or Batteryless Absolute Encoder



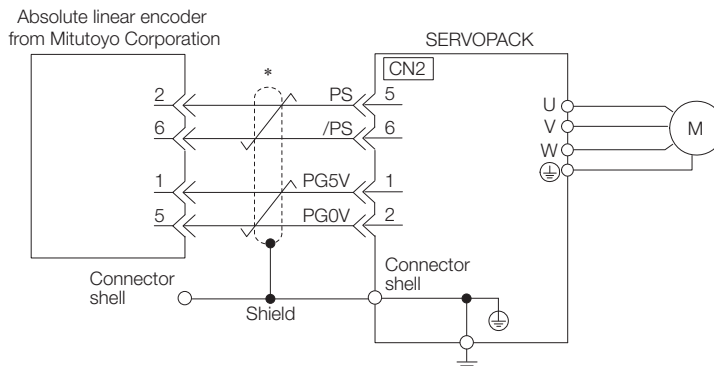
*1. The encoder pin numbers for wiring the connector depend on the Servomotor that you use.

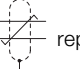
*2.  represents a shielded twisted-pair cable.

When Using an Absolute Linear Encoder

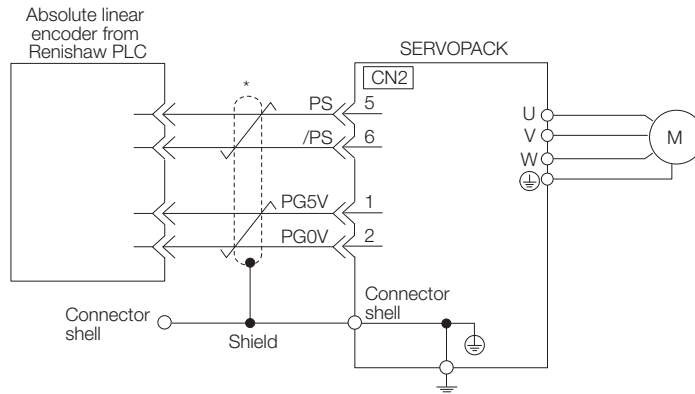
The wiring depends on the manufacturer of the linear encoder.

◆ Connections to Linear Encoder from Mitutoyo Corporation



*  represents a shielded twisted-pair cable.

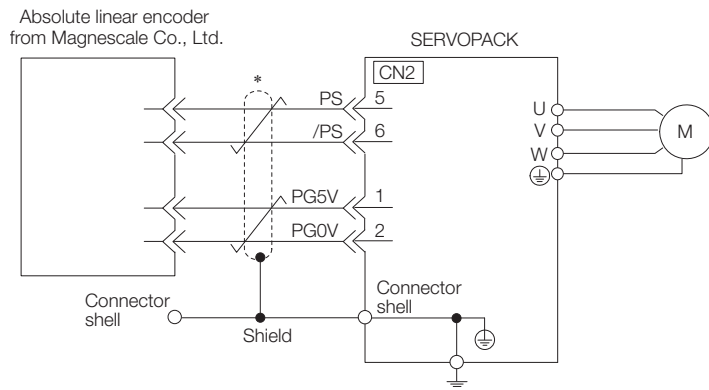
◆ Connections to Absolute Linear Encoder from Renishaw PLC



* represents a shielded twisted-pair cable.

◆ Connections to Absolute Linear Encoder from Magescale Co., Ltd.

■ SR77 and SR87

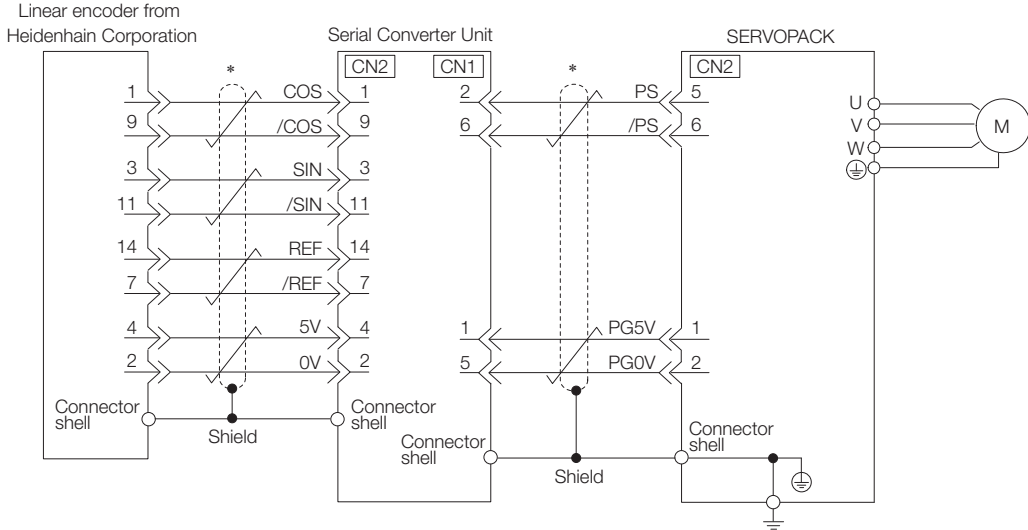


* represents a shielded twisted-pair cable.

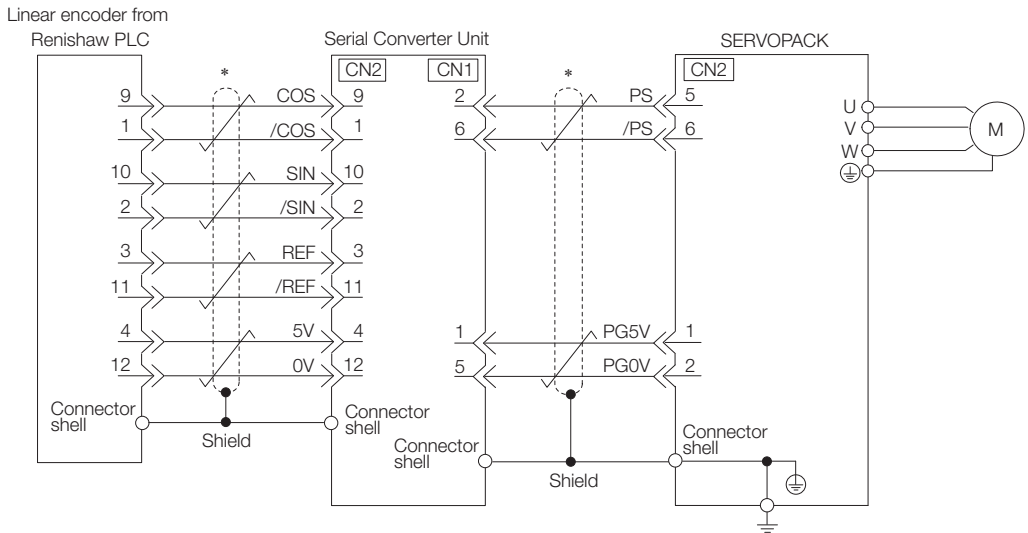
When Using an Incremental Linear Encoder

The wiring depends on the manufacturer of the linear encoder.

◆ Connections to Linear Encoder from Heidenhain Corporation



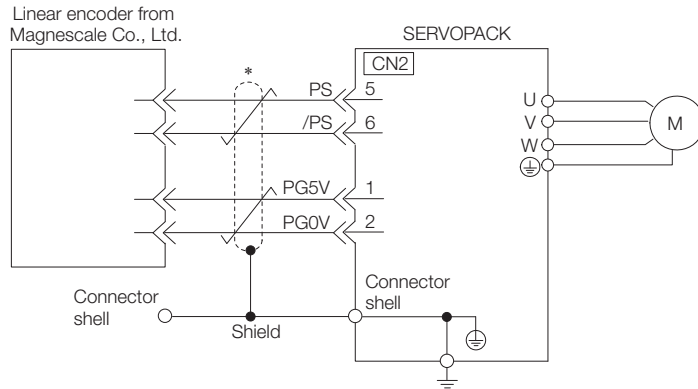
◆ Connections to Linear Encoder from Renishaw PLC

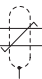


◆ **Connections to Linear Encoder from Magescale Co., Ltd.**

If you use a linear encoder from Magescale Co., Ltd., the wiring will depend on the model of the linear encoder.

■ **SR75 and SR85**



*  represents a shielded twisted-pair cable.

■ **SL700, SL710, SL720, SL730, and SQ10**

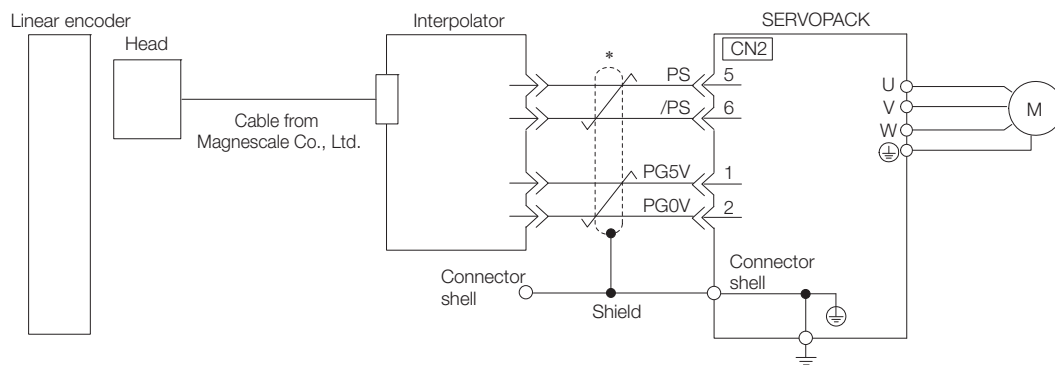
- PL101-RY, MQ10-FLA, or MQ10-GLA Interpolator

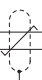
The following table gives the Linear Encoder and Interpolator combinations.

Linear Encoder Model	Interpolator Model
SL700, SL710, SL720, and SL730	PL101-RY* ¹
SQ10	MQ10-FLA* ²
	MQ10-GLA* ²

*1. This is the model of the Head with Interpolator.

*2. This is the model of the Interpolator.



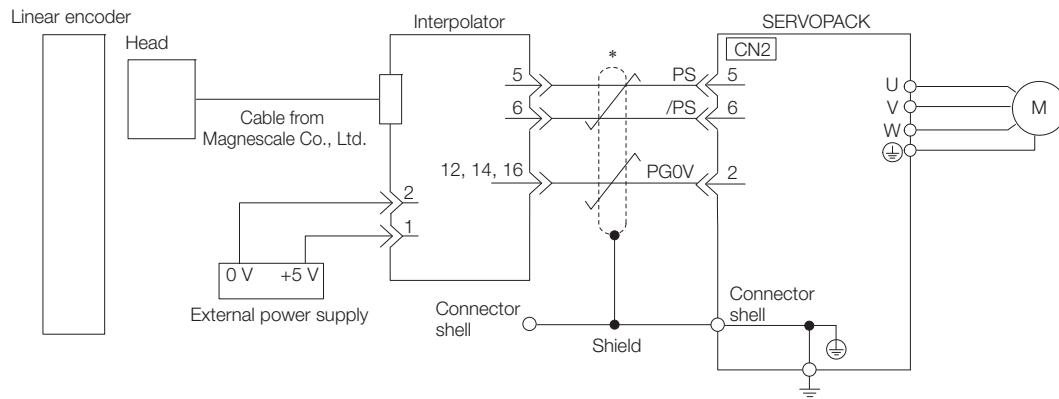
*  represents a shielded twisted-pair cable.

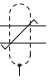
4.4 Wiring Servomotors

4.4.3 Wiring the SERVOPACK to the Encoder

■ SL700, SL710, SL720, and SL730

- MJ620-T13 Interpolator




*  represents a shielded twisted-pair cable.

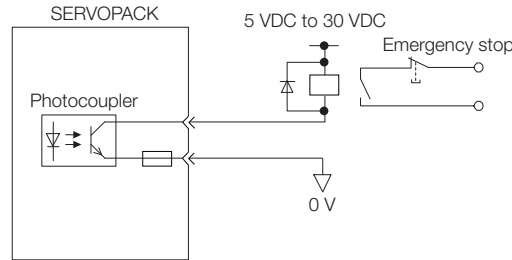
4.4.4 Wiring the SERVOPACK to the Holding Brake



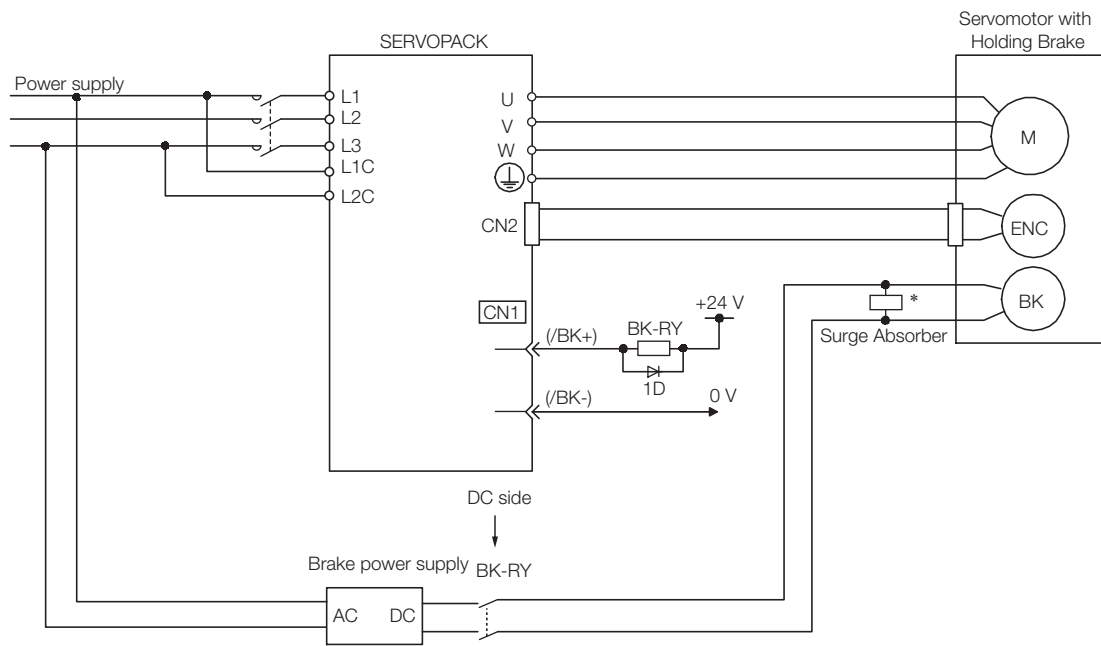
Important

- If you use a Rotary Servomotor, select a Surge Absorber according to the brake current and brake power supply. Refer to the following manual for details.
 Σ -7-Series Peripheral Device Selection Manual (Manual No.: SIEP S800001 32)
- After the Surge Absorber is connected, check the brake operation delay time in your application. The Surge Absorber may affect the brake operation delay time. Configure the relay circuit to activate the holding brake for an emergency stop.

Relay Circuit Example



- If you use a 24-V brake, install a separate power supply for the 24-VDC power supply from other power supplies, such as the one for the I/O signals of the CN1 connector. If the power supply is shared, the I/O signals may malfunction.



BK-RY: Brake control relay
 1D: Flywheel diode

* Install the surge absorber near the brake terminals on the Servomotor.

4.5 I/O Signal Connections

4.5.1 I/O Signal Connector (CN1) Names and Functions

The following table gives the pin numbers, names, and functions of the I/O signal pins.



Note

You cannot change the pin allocations for the I/O signals on CN1.

Input Signals

Signal	Pin No.	Name	Function	Reference
CCW-OT	8	CCW Drive Prohibit Input	Stops Servomotor drive (to prevent overtravel) when the movable part of the machine exceeds the range of movement.	page 5-28
CW-OT	9	CW Drive Prohibit Input		
/HOME	11	Origin Signal Input	Connects the deceleration limit switch for origin return.	page 12-3
EXSTOP	12	External Stop Input	Stops Servomotor drive immediately and turns OFF the servo in the SERVOPACK.	page 6-34
+24VIN	6	Sequence Input Signal Power Supply Input	Inputs the sequence input signal power supply. Allowable voltage range: 24 VDC \pm 20% The 24-VDC power supply is not provided by Yaskawa.	–
BAT+	14	Battery for Absolute Encoder (+)	These are the pins to connect the absolute encoder backup battery. Do not connect these pins if you use the Encoder Cable with a Battery Case.	–
BAT-	15	Battery for Absolute Encoder (-)		
TH	5	Overheat Protection Input	Inputs the overheat protection signal from a Linear Servomotor or from a sensor attached to the machine.	–

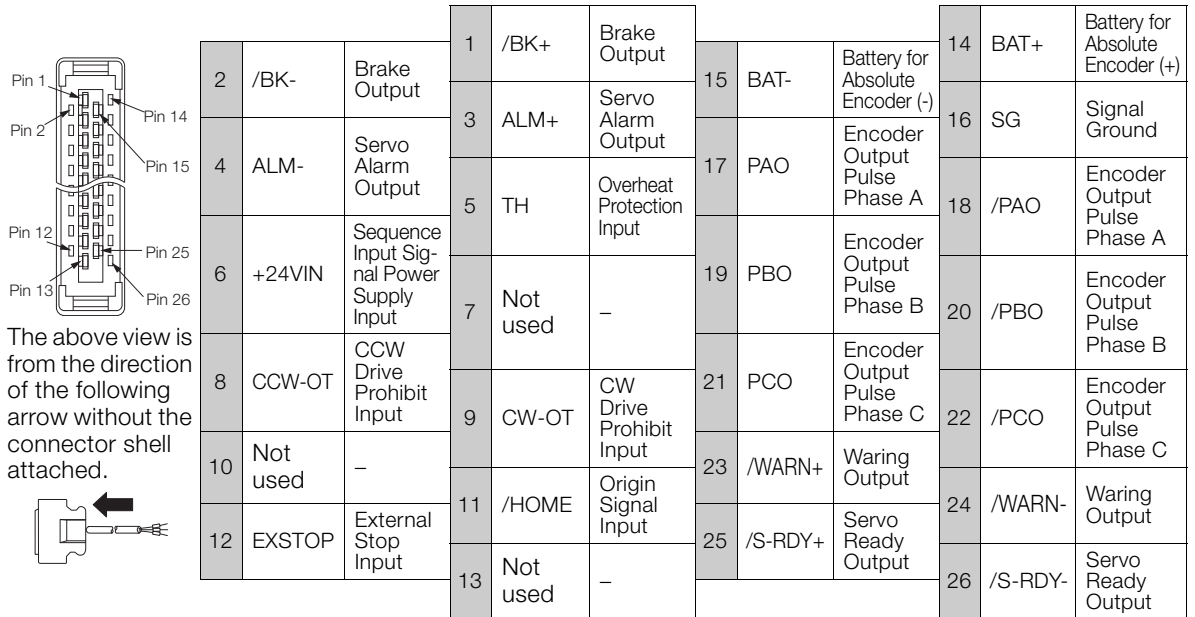
Note: If forward drive prohibition or reverse drive prohibition is used, the SERVOPACK is stopped by software controls. If the application does not satisfy the safety requirements, add external safety circuits as required.

Output Signals

Signal	Pin No.	Name	Function	Reference
ALM+	3	Servo Alarm Output	Turns OFF (opens) when an error is detected.	page 6-3
ALM-	4			
/BK+	1	Brake Output	Controls the brake. The brake is opened when the signal turns ON (closes).	page 5-31
/BK-	2			
/WARN+	23	Warning Output	It remains ON continuously while a warning is being detected.	page 6-3
/WARN-	24			
/S-RDY+	25	Servo Ready Output	This output is ON (closed) when the control power supply and main circuit power supply are ON and a servo alarm has not occurred.	page 6-4
/S-RDY-	26			
PAO	17	Encoder Divided Pulse Output, Phase A	Output the encoder divided pulse output signals with a 90° phase differential.	page 6-18 page 6-23
/PAO	18	Encoder Divided Pulse Output, Phase B		
PBO	19	Encoder Divided Pulse Output, Phase C		
/PBO	20	Encoder Divided Pulse Output, Phase C		
PCO	21	Encoder Divided Pulse Output, Phase C	Outputs the origin signal once every encoder rotation.	
/PCO	22	Encoder Divided Pulse Output, Phase C		
SG	16	Signal ground	This is the 0-V signal for the control circuits.	–
FG	Shell	Frame ground	Connected to the frame ground if the shield of the I/O Signal Cable is connected to the connector shell.	–

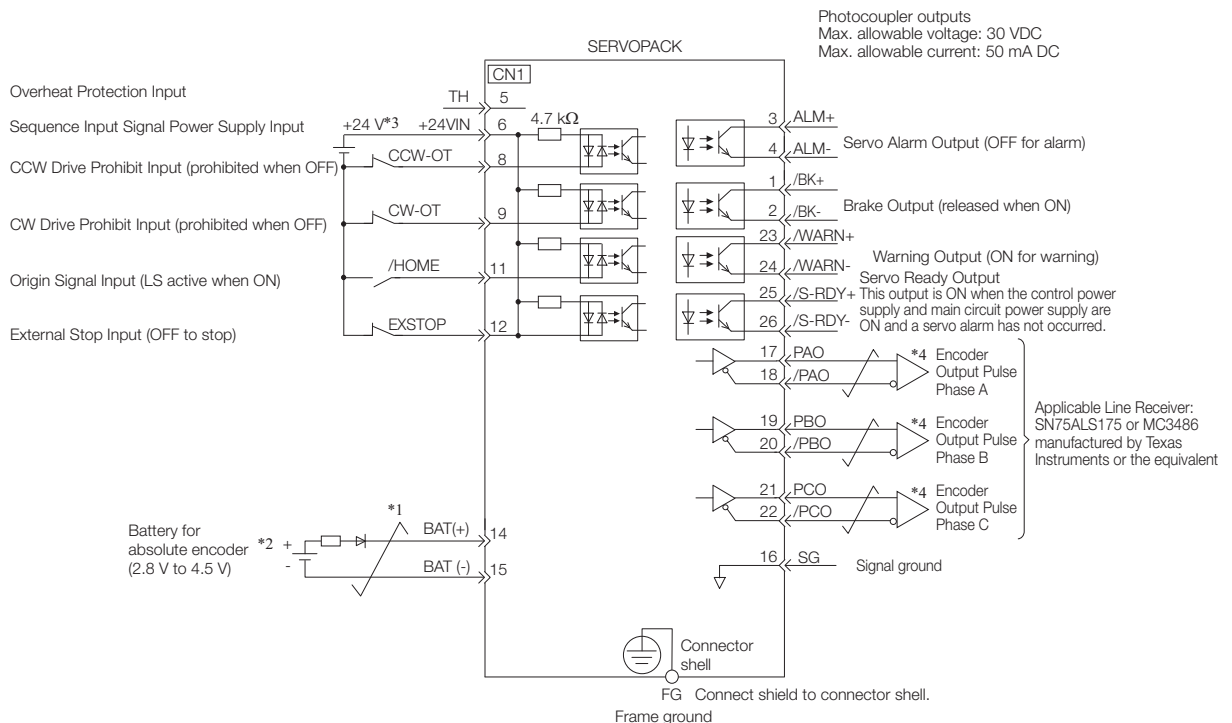
4.5.2 I/O Signal Connector (CN1) Pin Arrangement

The following figure gives the pin arrangement of the I/O signal connector (CN1).



4.5.3 I/O Signal Wiring Examples

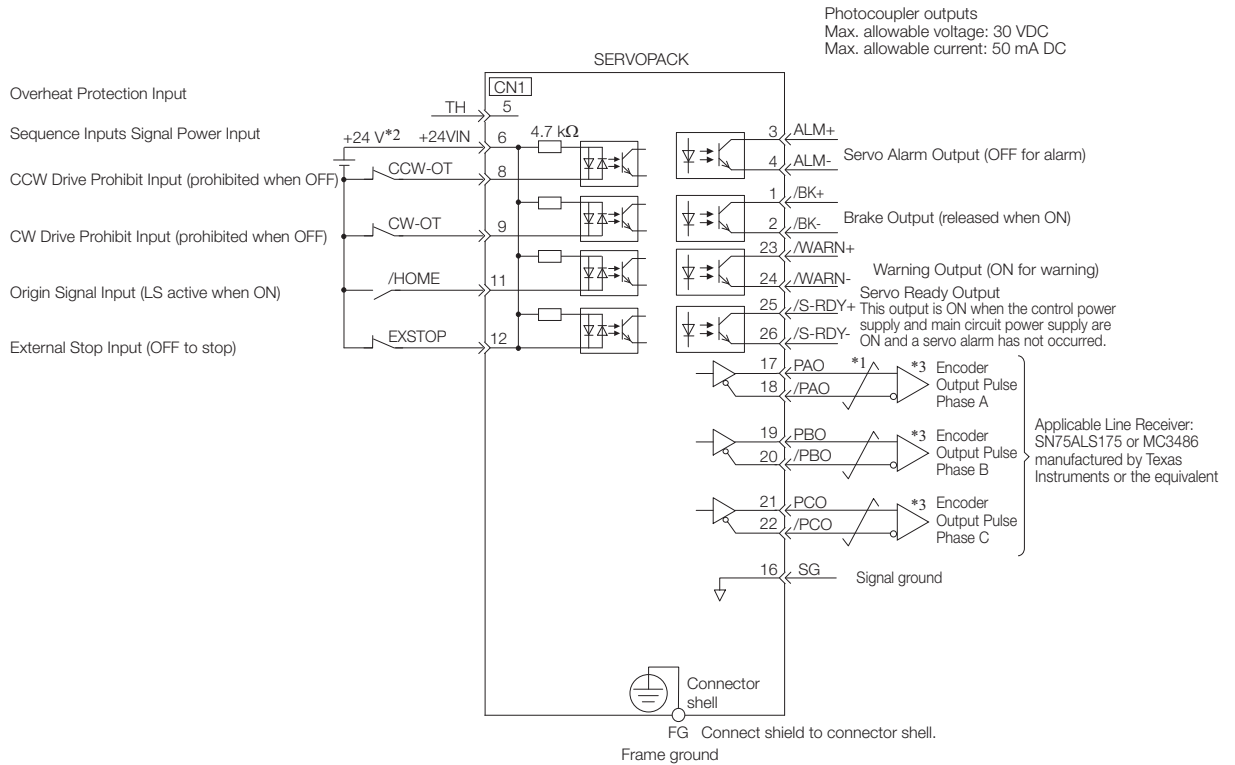
Using a Rotary Servomotor



- *1. represents twisted-pair wires.
- *2. Connect these when using an absolute encoder. If the Encoder Cable with a Battery Case is connected, do not connect a backup battery.
- *3. The 24-VDC power supply is not provided by Yaskawa. Use a 24-VDC power supply with double insulation or reinforced insulation.
- *4. Always use line receivers to receive the output signals.

Note: If you use a 24-V brake, install a separate power supply for the 24-VDC power supply from other power supplies, such as the one for the I/O signals of the CN1 connector. If the power supply is shared, the I/O signals may malfunction.

Using a Linear Servomotor



*1. represents twisted-pair wires.

*2. The 24-VDC power supply is not provided by Yaskawa. Use a 24-VDC power supply with double insulation or reinforced insulation.

*3. Always use line receivers to receive the output signals.

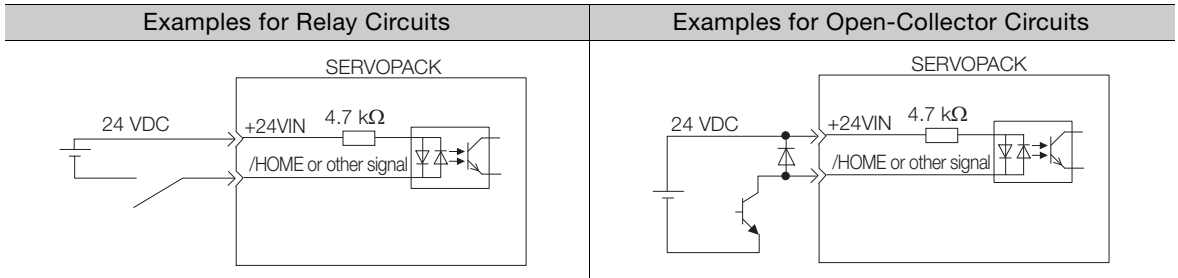
Note: If you use a 24-V brake, install a separate power supply for the 24-VDC power supply from other power supplies, such as the one for the I/O signals of the CN1 connector. If the power supply is shared, the I/O signals may malfunction.

4.5.4 I/O Circuits

Sequence Input Circuits

◆ Photocoupler Input Circuits

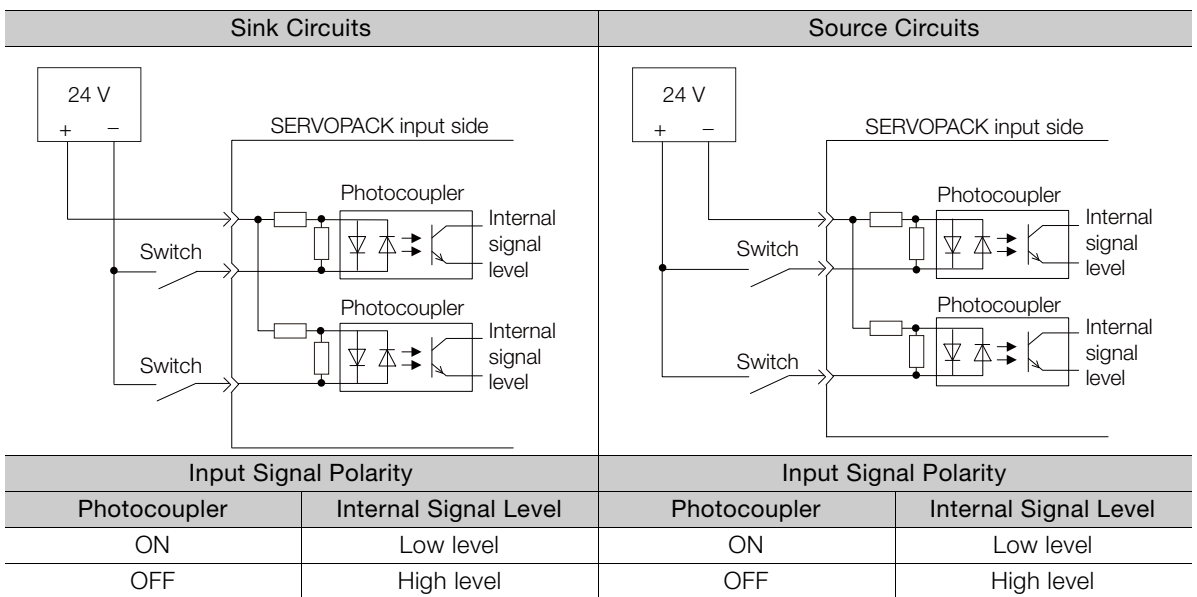
This section describes CN1 connector terminals 6 to 13.




Note: The 24-VDC external power supply capacity must be 50 mA minimum.

The SERVOPACK input circuits use bidirectional photocouplers. Select either a sink circuit or source circuit according to the specifications required by the machine.

Note: The connection examples in 4.5.3 *I/O Signal Wiring Examples* on page 4-33 are for sink circuit connections.



Sequence Output Circuits



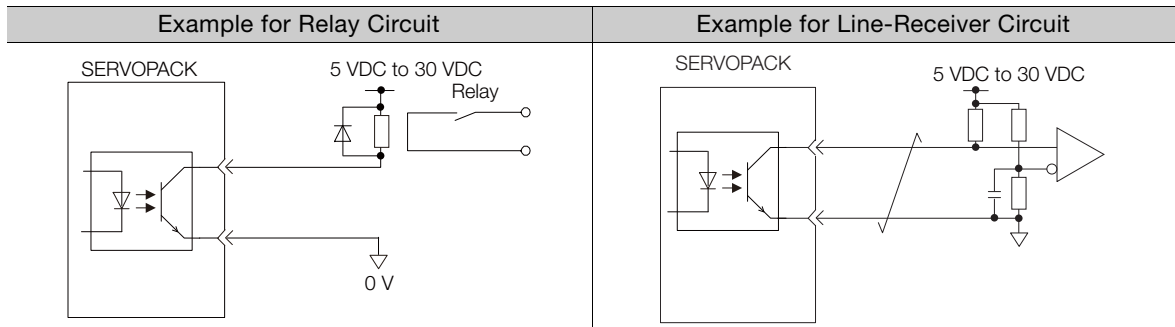
Important

Incorrect wiring or incorrect voltage application to the output circuits may cause short-circuit failures.

If a short-circuit failure occurs as a result of any of these causes, the holding brake will not work. This could damage the machine or cause an accident that may result in death or injury.

◆ Photocoupler Output Circuits

Photocoupler output circuits are used for the ALM (Servo Alarm), /S-RDY (Servo Ready), and other sequence output signals. Connect a photocoupler output circuit to a relay or line-receiver circuit.



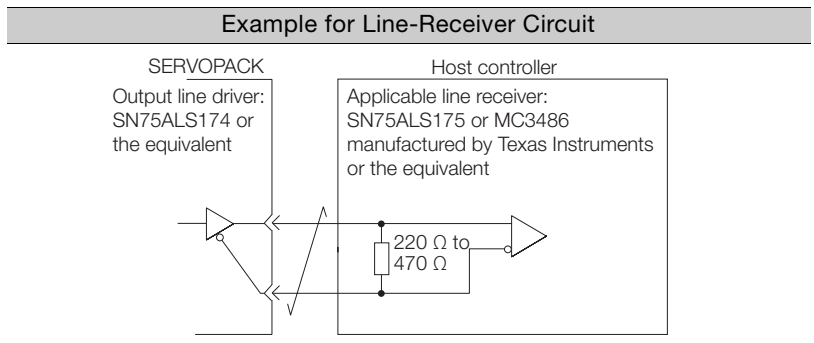
Note: The maximum allowable voltage and current range for photocoupler output circuits are as follows:

- Maximum allowable voltage: 30 VDC
- Current range: 5 mA to 50 mA DC

◆ Line-Driver Output Circuits

This section describes CN1 connector terminals 17-18 (Phase-A Signal), 19-20 (Phase-B Signal), and 21-22 (Phase-C Signal).

The serial data from the encoder is converted to two-phase (phases A and B) pulses. The resulting output signals (PAO, /PAO and PBO, /PBO), origin pulse signal (PCO and /PCO), and the absolute encoder position output signals (PSO and /PSO) are output with line-driver output circuits. Connect the line-driver output circuits to line-receiver circuits at the host controller.




4.6

Connecting Safety Function Signals

This section describes the wiring required to use a safety function.

Refer to the following chapter for details on the safety function.

 Chapter 11 Safety Functions

4.6.1

Pin Arrangement of Safety Function Signals (CN8)

Pin No.	Signal	Name	Function
1	-	- (Do not use these pins because they are connected to internal circuits.)	
2	-		
3	/HWBB1-	Hard Wire Base Block Input 1	For a hard wire base block input. The base block (motor power turned OFF) is in effect when the signal is OFF.
4	/HWBB1+		
5	/HWBB2-	Hard Wire Base Block Input 2	
6	/HWBB2+		
7	EDM1-	External Device Monitor Output	Turns ON when the /HWBB1 and the /HWBB2 signals are input and the SERVOPACK enters a base block state.
8	EDM1+		

4.6.2

I/O Circuits



Important

For safety function signal connections, the input signal is the 0-V common and the output signal is a source output. This is opposite to other signals described in this manual.

To avoid confusion, the ON and OFF status of signals for the safety function are defined as follows:

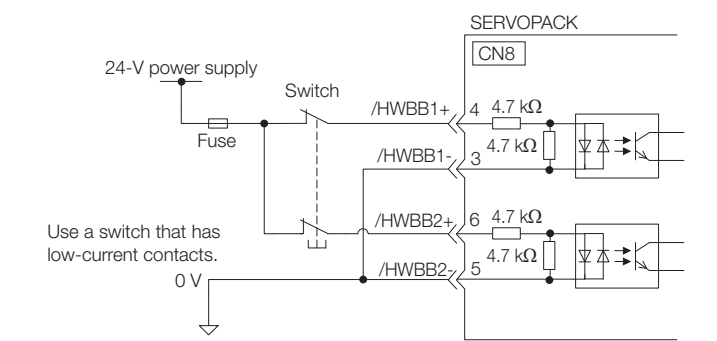
ON: The state in which the relay contacts are closed or the transistor is ON and current flows into the signal line.

OFF: The state in which the relay contacts are open or the transistor is OFF and no current flows into the signal line.

Safety Input Circuits

Use a 0-V common to connect the safety function signals. You must connect redundant input signals.

Input Signal Connection Example



◆ Input (HWBB) Signal Specifications

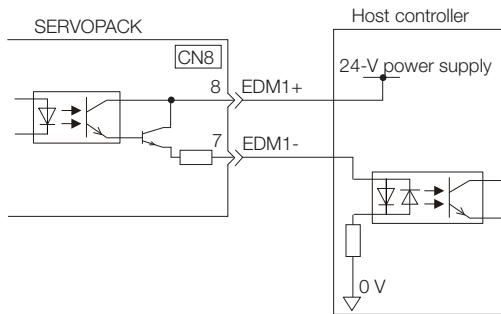
Type	Signal	Connector Pin No.	Status	Meaning
Inputs	/HWBB1	CN8-4 CN8-3	ON (closed)	Does not activate the HWBB (normal operation).
			OFF (open)	Activates the HWBB (motor current shut-OFF request).
	/HWBB2	CN8-6 CN8-5	ON (closed)	Does not activate the HWBB (normal operation).
			OFF (open)	Activates the HWBB (motor current shut-OFF request).

The input (HWBB) signals have the following electrical characteristics.

Item	Characteristics	Remarks
Internal Impedance	4.7 kΩ	–
Operating Voltage Range	+24 V ±20%	–
Maximum Delay Time	8 ms	Time from /HWBB1 and /HWBB2 signals turning OFF until HWBB is activated

Diagnostic Output Circuits

The EDM1 output signal uses a source circuit. The following figure shows a connection example.



◆ EDM1 Output Signal Specifications

Type	Signal	Pin No.	Output Status	Meaning
Output	EDM1	CN8-8 CN8-7	ON	Both the /HWBB1 and /HWBB2 signals are operating normally.
			OFF	The /HWBB1 signal, the /HWBB2 signal, or both are not operating.

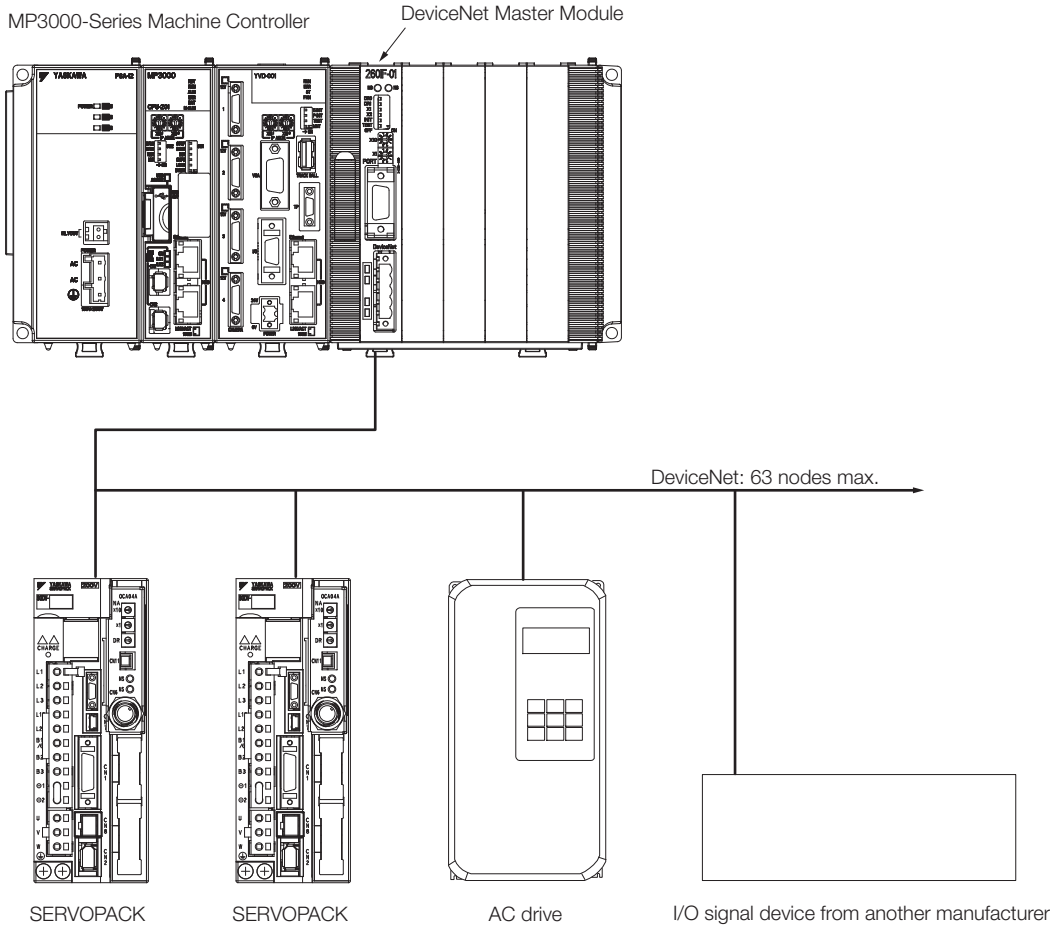
The electrical characteristics of the EDM1 signal are as follows:

Item	Characteristics	Remarks
Maximum Allowable Voltage	30 VDC	–
Maximum Allowable Current	50 mA DC	–
Maximum ON Voltage Drop	1.0 V	Voltage between EDM1+ and EDM1- when current is 50 mA
Maximum Delay Time	8 ms	Time from a change in /HWBB1 or /HWBB2 until a change in EDM1

4.7 DeviceNet System Configuration

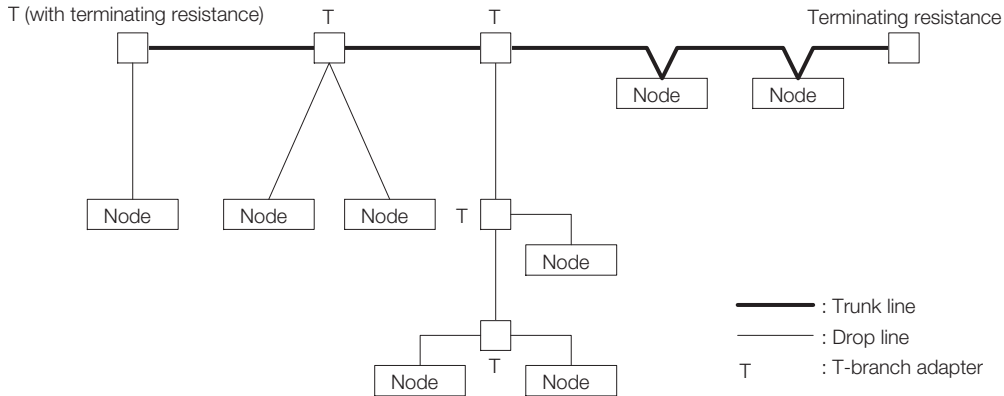
4.7.1 System Configuration Example for DeviceNet Communications

A system configuration example for DeviceNet communications is provided below. A maximum of 63 slave devices, such as SERVOPACKs, can be connected to one host controller (DeviceNet master).



4.7.2 Connection Examples for DeviceNet Communications Cable

The following diagram shows an example of the connections between the host controller and the DeviceNet communications connector (CN6) on the SERVOPACK.



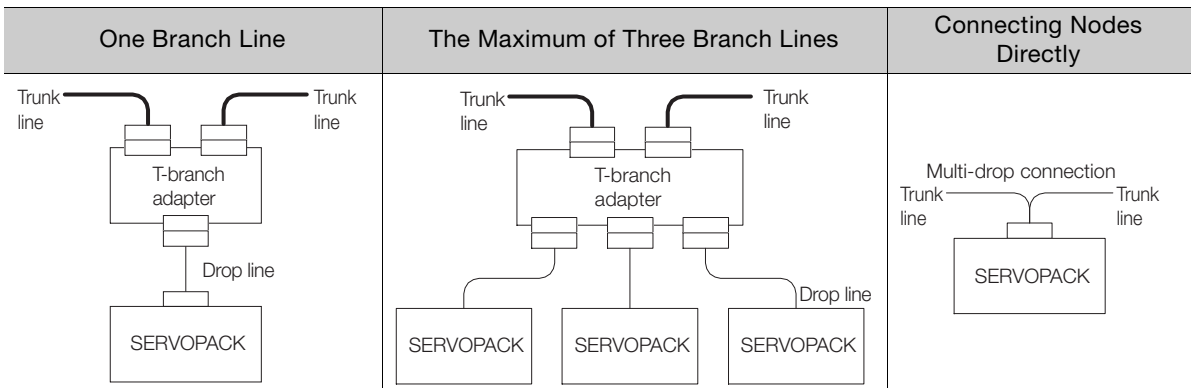
Nodes	A node is either a slave that connects to a SERVOPACK, a similar device, or the master that manages the slaves. No restrictions are placed on the locations of the master or slaves. Any node can be the master or a slave.
Trunk line and drop lines	The cable with terminating resistance on each end is the trunk line. Any cable that branches from the trunk line is a drop line.
Connection methods	A node is connected with one of two methods: a T-branch connection or a multi-drop connection. With a T-branch connection, a T-branch adapter is used to connect the node. With a multi-drop connection, a node is connected directly to the trunk line or a drop line. Both T-branch and multi-drop connections can be used together in the same network.
Terminating resistance	You must connect both ends of the trunk line to terminating resistance to decrease signal reflection and ensure stable network communications.
Communications power supply	You must provide power to the communications connector at each node from the communications power supply with a communications cable for DeviceNet communications.

- The communications cable must be an ODVA-Compliant DeviceNet communications cable.
- Both ends of the trunk line must be connected to terminating resistance.
- Only DeviceNet devices can be connected to the network. Do not connect any other devices, such as a lightning arrester.

Important

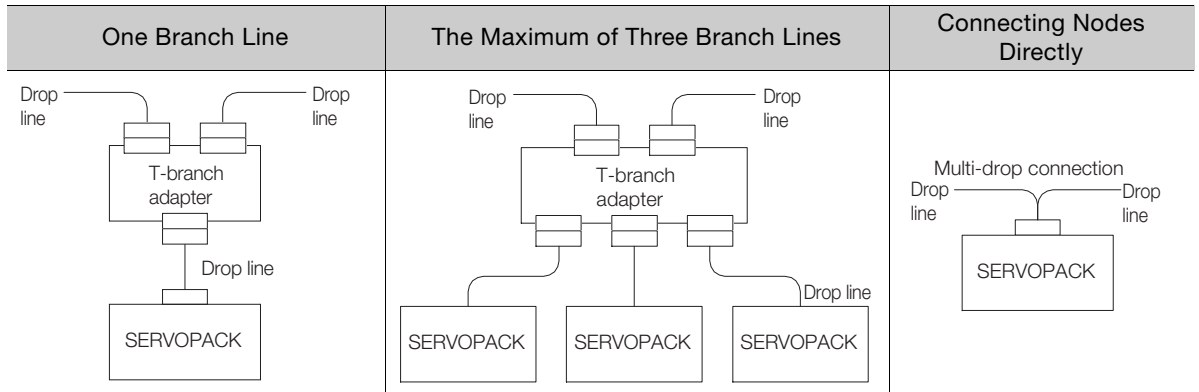
Branching from the Trunk Line

There are three methods that you can use to branch from the trunk line.



Branching from a Drop Line

There are three methods that you can use to branch from a drop line.

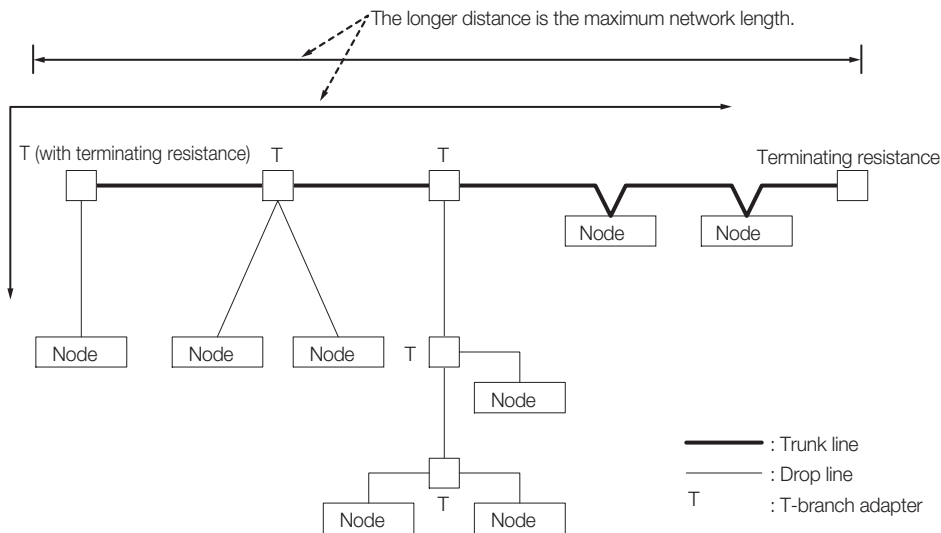


4.7.3 Precautions for Connecting DeviceNet Communications Cables

Observe the following precautions when you connect the DeviceNet communications cables.

Maximum Network Length

The maximum network length is either the length of the line between the two nodes located the farthest from each other or the length of the line between the terminating resistance on the ends of the trunk line, whichever is longer.



DeviceNet communications cables are available as either thick cables or thin cables. The following table lists the characteristics of each type of cable.

Item	Cable Type	
	Thick Cable	Thin Cable
Signal decay	Small	Large
Communications distance	Long	Short
Flexibility	Rigid (difficult to bend)	Pliable (bends easily)

The maximum network length is determined by the type of cable, as shown in the following table.

Baud Rate (Kbps)	Maximum Network Length (Unit: m)	
	Thick Cable	Thin Cable
500	100	100
250	250	100
125	500	100

Information You can use both thick cables and thin cables to connect different nodes in the same network. The maximum network length will be shorter than when only thick cables are used. The cable lengths must meet the following restrictions.

Baud Rate (Kbps)	Maximum Network Length
500	$L_{THICK} + L_{THIN} \leq 100$ m
250	$L_{THICK} + 2.5 \times L_{THIN} \leq 250$ m
125	$L_{THICK} + 5.0 \times L_{THIN} \leq 500$ m

Note: L_{THICK} : Length of thick cable
 L_{THIN} : Length of thin cable

Drop Line Lengths

The drop line length is the length of the line from the branch point from the trunk line to the farthest node on the drop line.

The maximum drop line length is 6 m. A drop line can be branched out into other drop lines.

Total Drop Line Length

The total drop line length is the total length of all of the drop lines.

◆ Length Limit

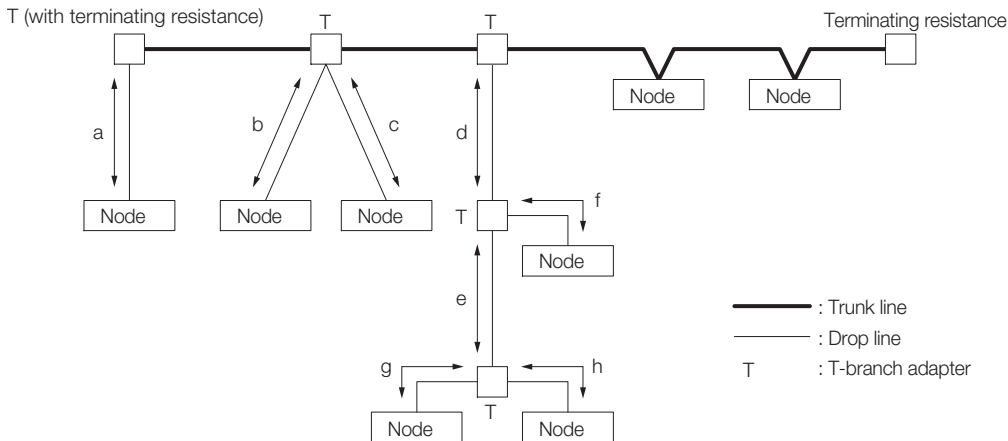
The total drop line length must be within the allowable range, and each drop line must be 6 m or less.

The following table shows the total drop line length, which depends on the baud rate.

Baud Rate (kbps)	Total Drop Line Length
500	39 m max.
250	78 m max.
125	156 m max.

◆ Configuration Example

The following diagram shows the suggested configuration if the baud rate is 500 Kbps.



The above example must satisfy the following conditions.

- $a \leq 6$ m
- $b \leq 6$ m
- $c \leq 6$ m
- $d \leq 6$ m
- $d + f \leq 6$ m
- $d + e + g \leq 6$ m
- $d + e + h \leq 6$ m

The total drop line length must satisfy the following condition.

- Total drop line length = $a + b + c + d + e + f + g + h \leq 39$ m

Basic Precautions

Observe the following basic precautions.

- The communications power supply for the DeviceNet network must be 24 VDC.
- The communications power supply must have sufficient capacity to handle the device load.
- The communications power supply must be connected to the trunk line.
- If many nodes are provided with power from a single power supply, the power supply must be placed as close as possible to the middle of the trunk line.
- The allowable current flow in a thick cable is 8 A. The allowable current flow in a thin cable is 3 A.
- The power supply capacity for a drop line depends on the length of the drop line.
- The maximum current capacity of the drop line will become lower as the drop line becomes longer regardless of the thickness of the drop line. To calculate the current (I) that flows to the drop line (i.e., the total current consumption on the drop line), use the following equation:

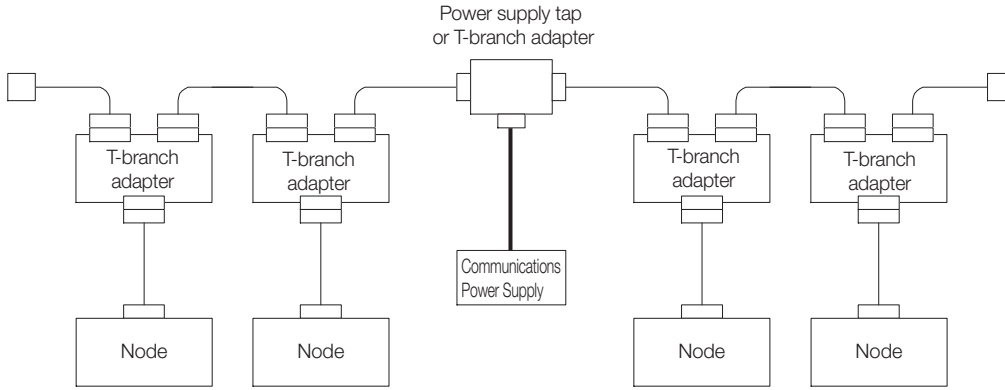
$$I = 4.57 / L$$
 I: Allowable current in amperes, L: Drop length in meters
- If only the communications power supply is turned OFF while the network is operating, errors may occur at the nodes that are communicating at that time.

Location of Power Supply

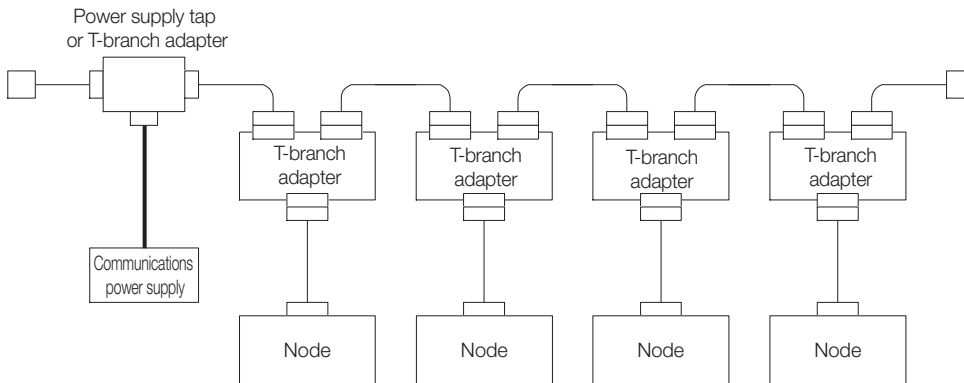
The following two types of configuration are possible for the location of the power supply.

Information We recommend that you place nodes on both sides of the power supply if a single power supply is connected to many nodes.

◆ Nodes on Both Sides of the Power Supply



◆ Nodes on One Side of the Power Supply



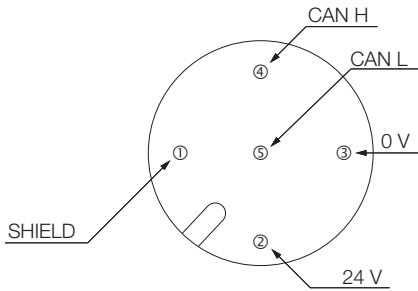
4.7.4 Signal Names and Functions of the DeviceNet Communications Connector (CN6)

This section gives the signal names, functions, pin arrangement, and connector specifications of the DeviceNet communications connector (CN6).

I/O Signals

Signal Name	Pin No.	Name	Function
SHIELD	1	Cable shield	–
24 V	2	Communications power supply +24 V	This pin is used to input the control power supply for DeviceNet communications. Operating range: +11 V to +25 V
0 V	3	Communications power supply 0 V	–
CAN H	4	CAN bus line dominant H	–
CAN L	5	CAN bus line dominant L	–

Pin Arrangement and Connector



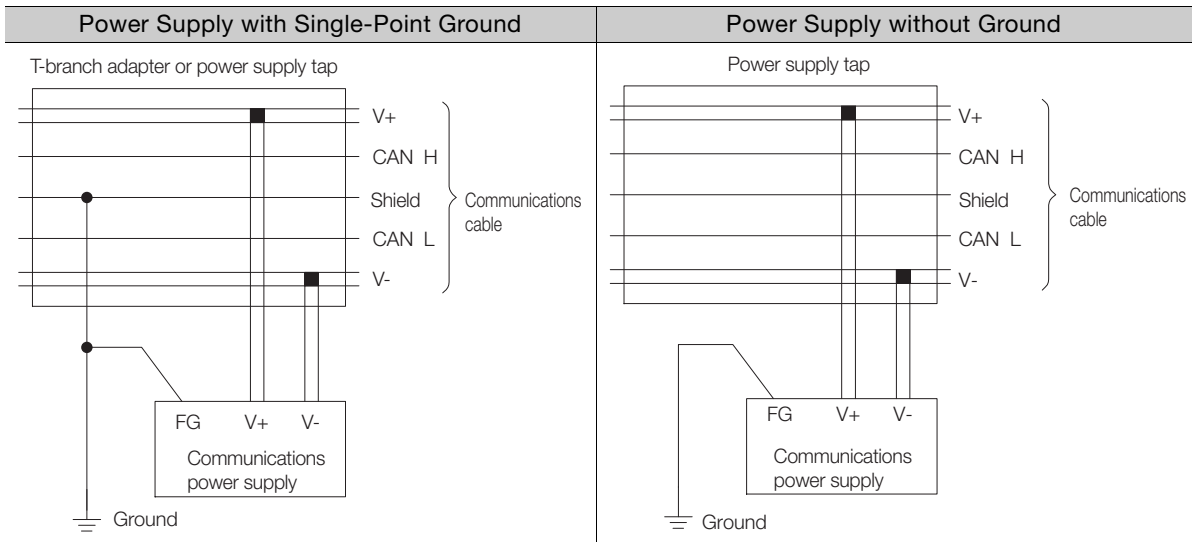
Name	Model
Micro-style Connector (FEMALE)	OMRON DCA1-5CN02F1 Cable with Connectors or the equivalent.

4.7.5 Network Connection Methods

Connect the shield wire of the cable to the FG terminal of the communications power supply and ground the shield wire.

If more than one power supply is used for communications, ground only the power supply that is located closest to the middle of the network through the shield wire. Do not ground the power supply through the shield wire at any other point.

If more than one power supply is connected to the network, connect each of them using a power supply tap.



Important

- Power supplies are not counted as nodes.
- Ground the network to a resistance of 100 Ω or less.
- Do not ground the network together with servo drives or AC drives.
- Do not ground the network through the shield wire at more than one point. Ground it at a single point only.

4.8 Connecting the Other Connectors

4.8.1 Serial Communications Connector (CN3)

To use a Digital Operator, connect it to CN3 on the SERVOPACK.

Refer to the following manual for the operating procedures for the Digital Operator.

📖 Σ -7-Series Digital Operator Operating Manual (Manual No.: SIEP S800001 33)

4.8.2 Computer Connector (CN7)

To use the SigmaWin+ Engineering Tool, connect the computer on which the SigmaWin+ is installed to CN7 on the SERVOPACK.

Refer to the following manual for the operating procedures for the SigmaWin+.

📖 Engineering Tool SigmaWin+ Operation Manual (Manual No.: SIET S800001 34)

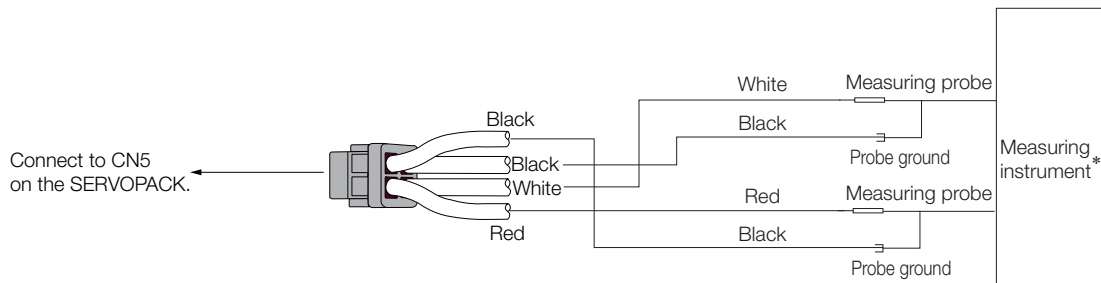


Use the Yaskawa-specified cables. Operation will not be dependable due to low noise resistance with any other cable.

4.8.3 Analog Monitor Connector (CN5)

To use an analog monitor, connect CN5 on the SERVOPACK.

- Wiring Example



* The measuring instrument is not provided by Yaskawa.

Refer to the following section for information on the monitoring methods for an analog monitor.

📖 9.3 Monitoring Machine Operation Status and Signal Waveforms on page 9-7

Basic Functions That Require Setting before Operation

5

This chapter describes the basic functions that must be set before you start servo system operation. It also describes the setting methods.

5.1	Manipulating Parameters (Pn□□□)	5-3
5.1.1	Parameter Classification	5-3
5.1.2	Notation for Parameters	5-4
5.1.3	Parameter Setting Methods	5-5
5.1.4	Write Prohibition Setting for Parameters	5-8
5.1.5	Initializing Parameter Settings	5-10
5.1.6	Managing Parameters (Pn□□□)	5-12
5.2	Power Supply Type Settings for the Main Circuit and Control Circuit . . .	5-13
5.2.1	AC Power Supply Input/DC Power Supply Input Setting	5-13
5.2.2	Single-phase AC Power Supply Input/ Three-phase AC Power Supply Input Setting . . .	5-14
5.3	Automatic Detection of Connected Motor . . .	5-15
5.4	Motor Direction Setting	5-16
5.5	Setting the Linear Encoder Pitch	5-17
5.6	Writing Linear Servomotor Parameters . . .	5-18
5.7	Selecting the Phase Sequence for a Linear Servomotor . . .	5-22
5.8	Polarity Sensor Setting	5-24

5.9	Polarity Detection	5-25
5.9.1	Restrictions	5-25
5.9.2	Using the Servo ON Command to Perform Polarity Detection	5-26
5.9.3	Using a Tool Function to Perform Polarity Detection	5-27
5.10	Overtravel and Related Settings	5-28
5.10.1	Overtravel Signals	5-28
5.10.2	Setting to Enable/Disable Overtravel	5-29
5.10.3	Setting Overtravel Signal Polarity	5-29
5.10.4	Motor Stopping Method for Overtravel	5-29
5.11	Holding Brake	5-30
5.11.1	Brake Operating Sequence	5-30
5.11.2	/BK (Brake) Signal	5-31
5.11.3	Output Timing of /BK (Brake) Signal When the Servomotor Is Stopped	5-32
5.11.4	Output Timing of /BK (Brake) Signal When the Servomotor Is Operating	5-32
5.12	Motor Stopping Method for Servo OFF and Alarms	5-34
5.12.1	Stopping Method for Servo OFF	5-35
5.12.2	Servomotor Stopping Method for Alarms	5-35
5.13	Motor Overload Detection Level	5-38
5.13.1	Detection Timing for Overload Warnings (A.910)	5-38
5.13.2	Detection Timing for Overload Alarms (A.720)	5-39
5.14	Electronic Gear Settings	5-40
5.14.1	Electronic Gear Ratio Settings	5-41
5.14.2	Electronic Gear Ratio Setting Examples	5-44
5.15	Resetting the Absolute Encoder	5-45
5.15.1	Precautions on Resetting	5-45
5.15.2	Preparations	5-45
5.15.3	Applicable Tools	5-46
5.15.4	Operating Procedure	5-46
5.16	Setting the Origin of the Absolute Encoder	5-48
5.16.1	Absolute Encoder Origin Offset	5-48
5.16.2	Setting the Origin of the Absolute Linear Encoder	5-48
5.17	Setting the Regenerative Resistor Capacity	5-51

5.1 Manipulating Parameters (Pn□□□)

This section describes the classifications, notation, and setting methods for the parameters given in this manual.

5.1.1 Parameter Classification

There are the following two types of SERVOPACK parameters.

Classification	Meaning
Setup Parameters	Parameters for the basic settings that are required for operation.
Tuning Parameters	Parameters that are used to adjust servo performance.

Information The tuning parameters are not displayed by default when you use the Digital Operator. To display and set the tuning parameters, set Pn00B to n.□□□1 (Display all parameters).

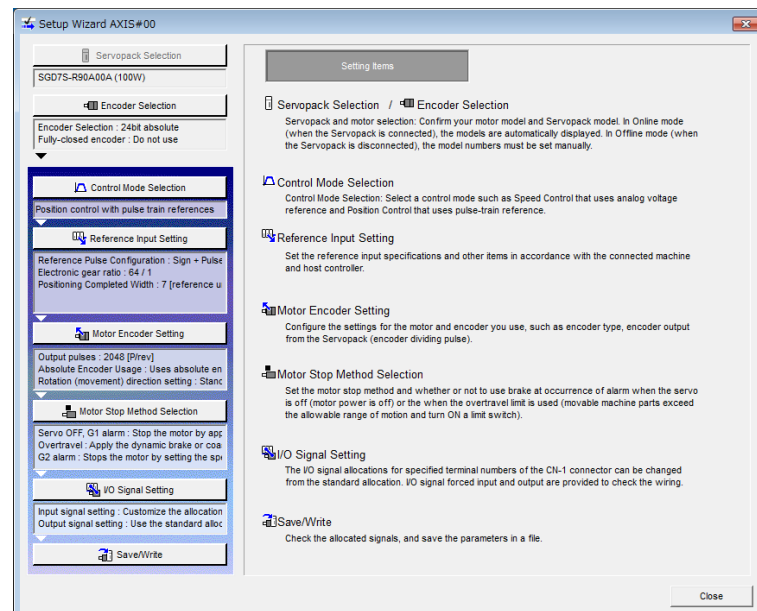
Parameter	Meaning	When Enabled	Classification
Pn00B	n.□□□0 (default setting)	After restart	Setup
	n.□□□1		

The setting method for each type of parameter is described below.

Setup Parameters

You can use the Digital Operator, or SigmaWin+ to set the setup parameters individually.

Information We recommend that you use the Setup Wizard of the SigmaWin+ to easily set the required setup parameters by setting the operating methods, machine specifications, and I/O signals according to on-screen Wizard instructions.



Tuning Parameters

Normally the user does not need to set the tuning parameters individually.

Use the various SigmaWin+ tuning functions to set the related tuning parameters to increase the response even further for the conditions of your machine. Refer to the following sections for details.

- 📖 8.6 Autotuning without Host Reference on page 8-23
- 📖 8.7 Autotuning with a Host Reference on page 8-34
- 📖 8.8 Custom Tuning on page 8-42

You can also set the tuning parameters individually to make adjustments. Refer to the following section for details.

- 📖 8.13 Manual Tuning on page 8-79

5.1.2 Notation for Parameters

There are two types of notation used for parameters that depend on whether the parameter requires a numeric setting (parameter for numeric setting) or requires the selection of a function (parameter for selecting a function).

• Parameters for Numeric Settings

Pn100	Speed Loop Gain				
	Setting Range	Setting Unit	Default Setting	When Enabled	Classification
	10 to 20,000	0.1 Hz	400	Immediately	Tuning

Parameter number

This is the setting range for the parameter.

This is the minimum unit (setting increment) that you can set for the parameter.

This is the parameter setting before shipment.

This is when any change made to the parameter will become effective.

This is the parameter classification.

• Parameters for Selecting Functions

Parameter	Meaning	When Enabled	Classification
Pn002	n.□0□□ (default setting)	After startup	Setup
	n.□1□□		
	n.□2□□		

Parameter number

The notation "n.□□□□" indicates a parameter for selecting functions. Each □ indicates the setting for one digit. The notation shown here means that the third digit from the right is set to 2. The following format is used to show the individual bits of a parameter setting: b.□□□□ □□□□ □□□□ □□□□. The individual bits of a parameter setting have specific meanings, but you cannot set the bits individually. The individual bits must be converted to a hexadecimal value to set a parameter. Refer to the following section for details on settings.

📖 15.1.2 List of Parameters on page 15-3

This column explains the selections for the function.

5.1.3 Parameter Setting Methods

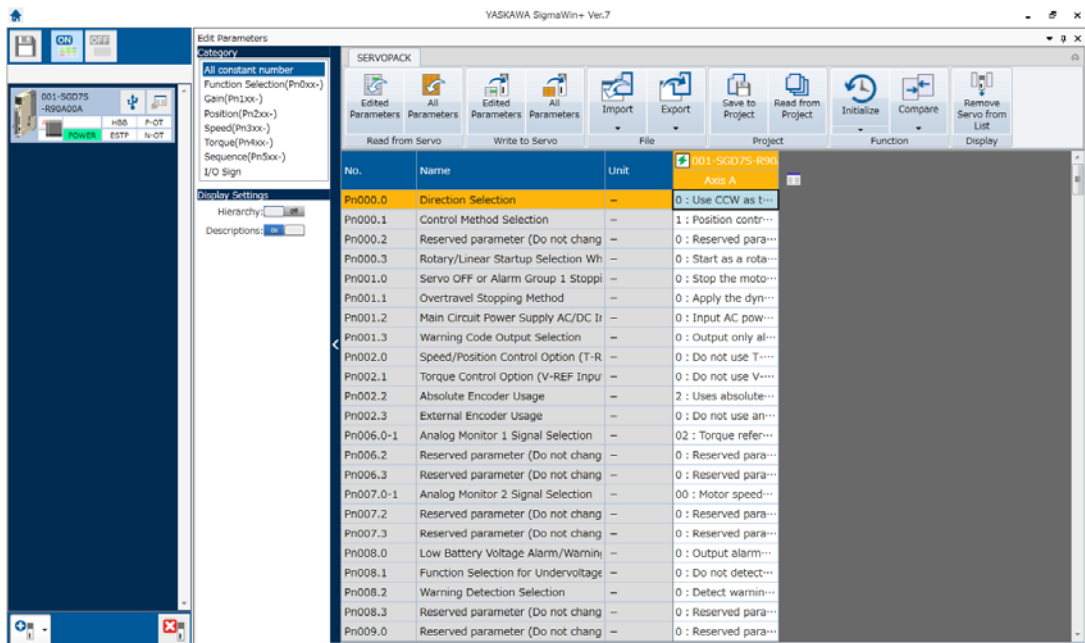
You can use the SigmaWin+ or a Digital Operator to set parameters.
Use the following procedure to set the parameters.

Setting Parameters with the SigmaWin+



- Write data to flash memory only when the mechanical system is stopped.
If you write data to flash memory while the mechanical system is operating, processing that is being executed will be interrupted and the mechanical system may stop.

1. Click the Servo Drive Button in the workspace of the Main Window of the SigmaWin+.
2. Select **Edit Parameters** in the Menu Dialog Box.
The Parameter Editing Dialog Box will be displayed.
3. Click the cell of the parameter to edit.
If the parameter to edit is not displayed in the Parameter Editing Dialog Box, click the or Button to display the parameter to edit.

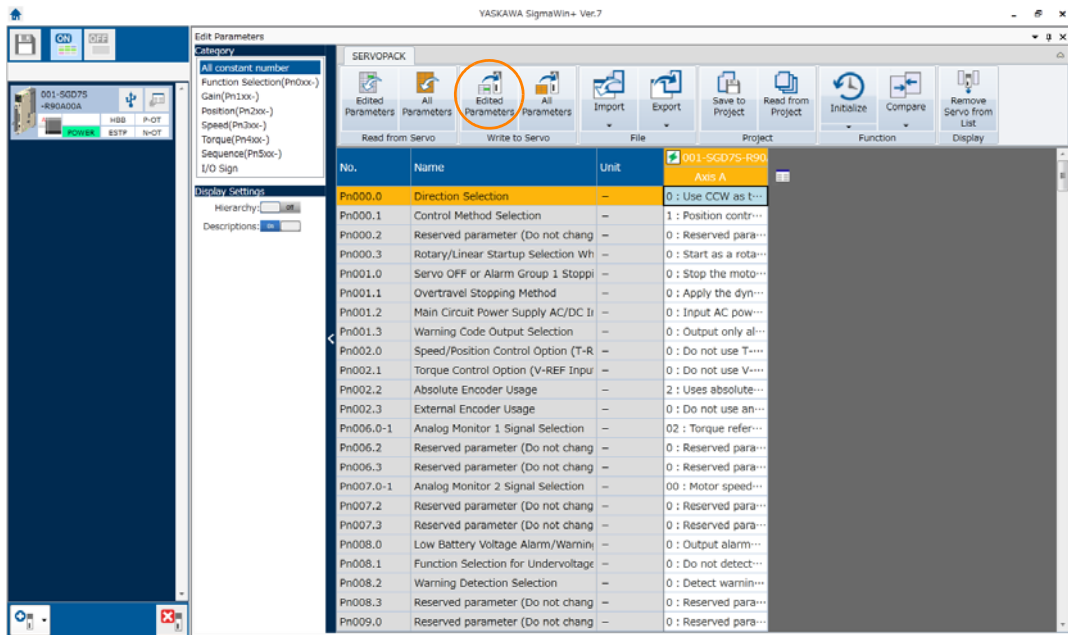


4. Change the setting of the parameter.
 1. For a parameter for a numeric setting, input the numeric setting.
 2. If the parameter requires selection of a function, select the function from the list of selections.
5. Press the **Enter Key**.
The background of the edited parameter cell will change to green.

5.1 Manipulating Parameters (Pn□□□)

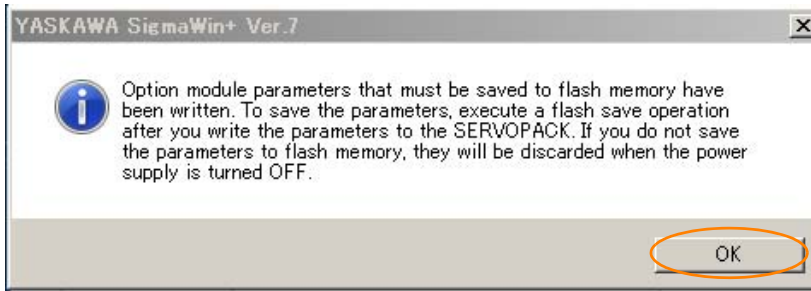
5.1.3 Parameter Setting Methods

6. Select Edited Parameters in the Write to Servo Group.

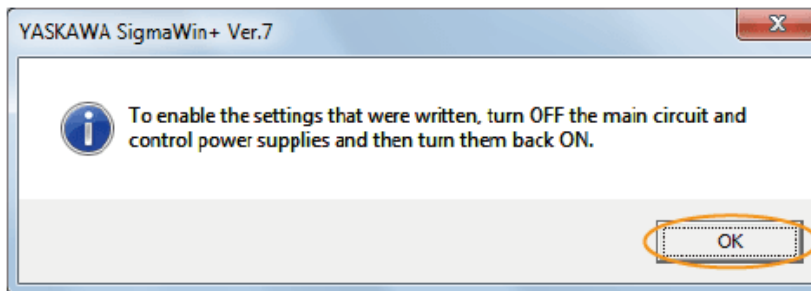


The edited parameters are written to the SERVOPACK and the backgrounds of the cells change to white.

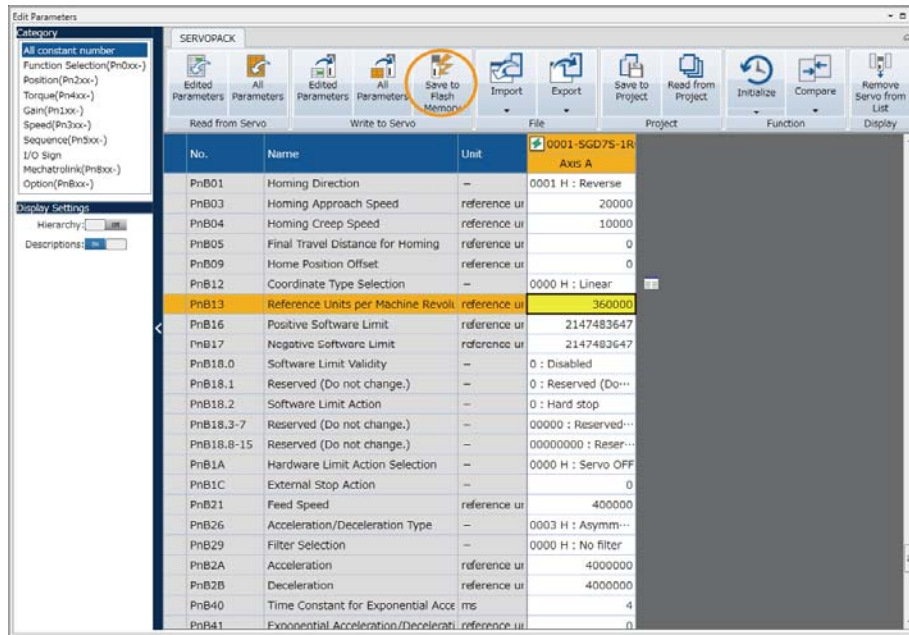
7. Click the OK Button.



8. Click the OK Button.



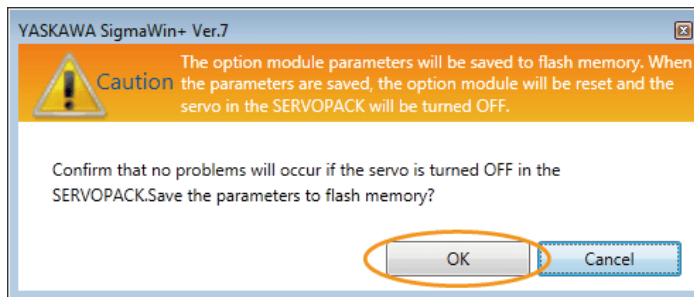
9. Select Edited Parameters in the Save to Flash Group.



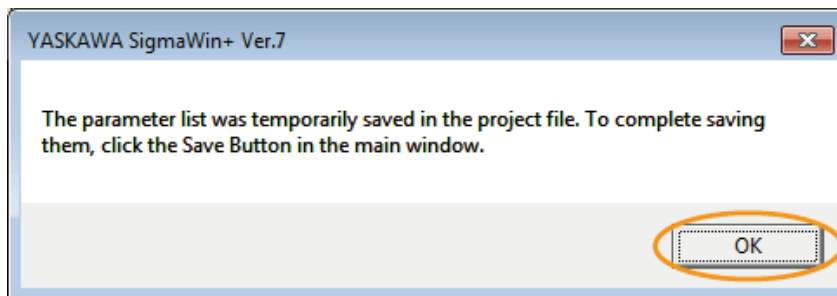
The parameters that were written to the SERVOPACK will be saved to flash memory and the cells will change to white.

Information The parameters that are written are the parameters for the currently selected parameter axis (i.e., the one with the column title displayed in orange).

10. Click the OK Button.



11. Click the OK Button.



12. To enable changes to the settings, turn the power supply to the SERVOPACK OFF and ON again.

This concludes the procedure to set the parameters.

Setting Parameters with a Digital Operator

Refer to the following manual for information on setting the parameters with a Digital Operator.

📖 Σ -7-Series Digital Operator Operating Manual (Manual No.: SIEP S800001 33)

5.1.4 Write Prohibition Setting for Parameters

You can prohibit writing parameters from the Digital Operator. Even if you do, you will still be able to change parameter settings from the SigmaWin+.

Preparations

No preparations are required.

Applicable Tools

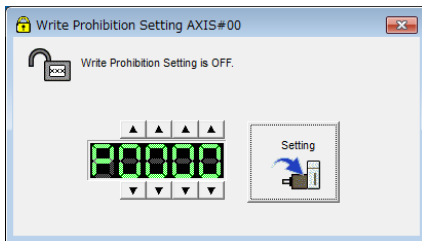
The following table lists the tools that you can use to change the Write Prohibition Setting and the applicable tool functions.

Tool	Function	Reference
Digital Operator	Fn010	Σ-7-Series Digital Operator Operating Manual (Manual No.: SIEP S80001 33)
SigmaWin+	Setup - Write Prohibited Setting	Operating Procedure on page 5-8

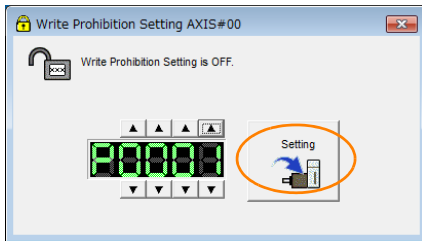
Operating Procedure

Use the following procedure to prohibit or permit writing parameter settings.

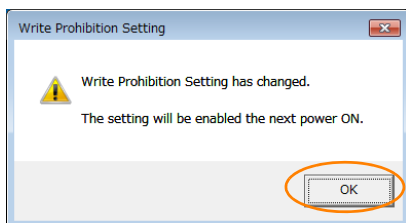
1. Click the Servo Drive Button in the workspace of the Main Window of the SigmaWin+.
2. Select **Write Prohibition Setting** in the Menu Dialog Box. The Write Prohibition Setting Dialog Box will be displayed.
3. Press the or for the rightmost digit and set one of the following.
0000: Writing is permitted (default setting).
0001: Writing is prohibited.



4. Click the **Setting** Button.



5. Click the **OK** Button. The setting will be written to the SERVOPACK.



6. To enable the new setting, turn the power supply to the SERVOPACK OFF and ON again.

This concludes the procedure to prohibit or permit writing parameter settings.

Restrictions

If you prohibit writing parameter settings, you will no longer be able to execute some functions. Refer to the following table.

Button in Menu Dialog Box	SigmaWin+	Digital Operator		When Writing Is Prohibited	Reference
	SigmaWin+ Function Name	Fn No.	Utility Function Name		
Setup	Origin Search	Fn003	Origin Search	Cannot be executed.	page 7-18
	Absolute Encoder Reset	Fn008	Reset Absolute Encoder	Cannot be executed.	page 5-46
	Adjusting the Analog Monitor Output	Fn00C	Adjust Analog Monitor Output Offset	Cannot be executed.	page 9-10
		Fn00D	Adjust Analog Monitor Output Gain	Cannot be executed.	page 9-10
	Motor Current Detection Offset Adjustment	Fn00E	Autotune Motor Current Detection Signal Offset	Cannot be executed.	page 6-30
		Fn00F	Manually Adjust Motor Current Detection Signal Offset	Cannot be executed.	
	Multiturn Limit Setting	Fn013	Multiturn Limit Setting after Multiturn Limit Disagreement Alarm	Cannot be executed.	page 6-19
	Reset Configuration Error of Option Module	Fn014	Reset Option Module Configuration Error	Cannot be executed.	page 14-46
	Vibration Detection Level Initialization	Fn01B	Initialize Vibration Detection Level	Cannot be executed.	page 6-26
	Setting the Origin of the Absolute Linear Encoder	Fn020	Set Absolute Linear Encoder Origin	Cannot be executed.	page 5-48
	Software Reset	Fn030	Software Reset	Can be executed.	page 6-24
	Polarity Detection	Fn080	Polarity Detection	Cannot be executed.	page 5-27
Tuning-less Level Setting	Fn200	Tuning-less Level Setting	Cannot be executed.	page 8-11	
EasyFFT	Fn206	Easy FFT	Cannot be executed.	page 8-95	
Parameters	Initialize Servo*	Fn005	Initialize Parameters	Cannot be executed.	page 5-10
Tuning	Autotuning without Reference Input	Fn201	Advanced Autotuning without Reference	Cannot be executed.	page 8-23
	Autotuning with Reference Input	Fn202	Advanced Autotuning with Reference	Cannot be executed.	page 8-34
	Custom Tuning	Fn203	One-Parameter Tuning	Cannot be executed.	page 8-42
	Anti-Resonance Control Adjustment	Fn204	Adjust Anti-resonance Control	Cannot be executed.	page 8-51
	Vibration Suppression	Fn205	Vibration Suppression	Cannot be executed.	page 8-56

Continued on next page.

Continued from previous page.

SigmaWin+		Digital Operator		When Writing Is Prohibited	Reference
Button in Menu Dialog Box	SigmaWin+ Function Name	Fn No.	Utility Function Name		
Monitor	Product Information	Fn011	Display Servomotor Model	Can be executed.	page 9-2
		Fn012	Display Software Version	Can be executed.	
		Fn01E	Display SERVOPACK and Servomotor IDs	Can be executed.	page 9-2
		Fn01F	Display Servomotor ID from Feedback Option Module	Can be executed.	
Test Operation	Jogging	Fn002	Jog	Cannot be executed.	page 7-6
	Program Jogging	Fn004	Jog Program	Cannot be executed.	page 7-12
Alarm	Alarm Display	Fn000	Display Alarm History	Can be executed.	page 14-44
		Fn006	Clear Alarm History	Cannot be executed.	page 14-45
	Reset Motor Type Alarm	Fn021	Reset Motor Type Alarm	Cannot be executed.	page 14-48

* The **Initialize** Button will be displayed when you select *Parameters - Edit Parameters* from the menu bar.

5.1.5 Initializing Parameter Settings

You can return the parameters to their default settings.

This function will initialize the following parameters: Pn0□□□ to Pn6□□□. This function will not initialize the settings of the parameters that are adjusted for the Fn00C, Fn00D, Fn00E, and Fn00F utility functions and the PnB□□□ parameters.



To enable the new settings, turn the power supply to the SERVOPACK OFF and ON again after you complete the operation.

Preparations

Always check the following before you initialize the parameter settings.

- The parameters must not be write prohibited.
- The servo must be OFF.
- Initializing the parameter settings must not be in progress for any other tool.


Applicable Tools

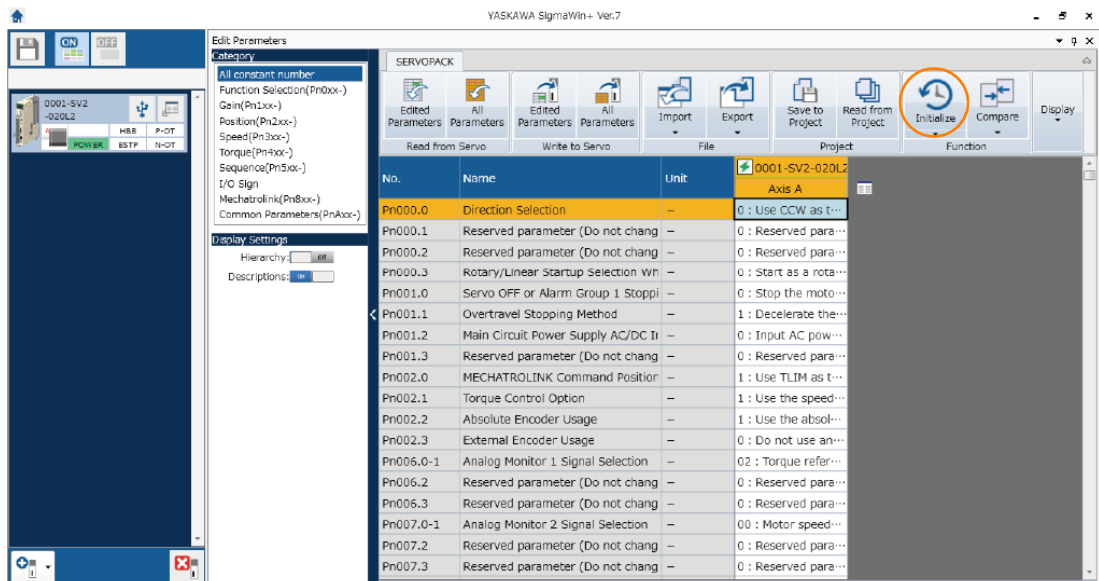
The following table lists the tools that you can use to initialize the parameter settings and the applicable tool functions.

Tool	Function	Reference
Digital Operator	Fn005	Σ-7-Series Digital Operator Operating Manual (Manual No.: SIEP S800001 33)
SigmaWin+	Parameters - Edit Parameters	Operating Procedure on page 5-11
DeviceNet communications	PnBA7	Parameter Initialization on page 12-17

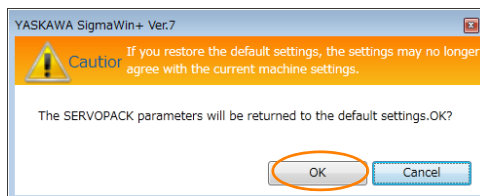
Operating Procedure

Use the following procedure to initialize the parameter settings.

1. Click the  Servo Drive Button in the workspace of the Main Window of the SigmaWin+.
2. Select **Edit Parameters** in the Menu Dialog Box.
The Parameter Editing Dialog Box will be displayed.
3. Select any parameter of the axis to initialize.
4. Click the **Initialize** Button.

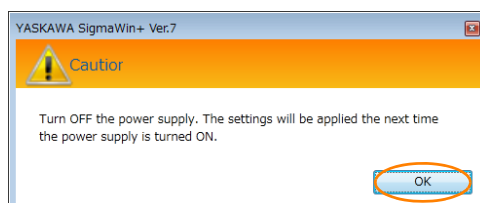


5. Click the **OK** Button.



Click the **Cancel** Button to cancel initialization. The Parameter Editing Dialog Box will return.

6. Click the **OK** Button.



7. Turn the power supply to the SERVOPACK OFF and ON again after the parameter settings have been initialized.

This concludes the procedure to initialize the parameter settings.

5.1.6 Managing Parameters (Pn□□□)

Timing of Saving Parameters

When the parameters are saved depends on the parameter numbers, as described in the following table.

Parameters	When Saved
Pn0□□ to Pn6□□	These parameters are saved immediately in nonvolatile memory in the SERVOPACK as soon as they are written. The settings of some parameters, however, require that you turn the power supply OFF and ON again or reset the Module to enable changes to the parameter settings.
<ul style="list-style-type: none"> • PnB□□ • Command Blocks 	These parameters are saved in nonvolatile memory in the SERVOPACK at the following times. <ul style="list-style-type: none"> • When the Module is reset • When the parameters are saved in flash memory from the SigmaWin+ • When positioning operations are performed by changing the Start Trajectory bit to 1 after changing the parameters. (About 10 seconds is required to write the parameters.)



Important


Parameters that are not saved immediately in nonvolatile memory are stored in RAM in the SERVOPACK. To save all parameters in nonvolatile memory after completing parameter adjustments, reset the Module. If the power supply is turned OFF before the Module is reset, any changes that have been made to the parameters that are not saved automatically will be lost.

Resetting the Module

The following operations will be performed when the Module is reset.

- All parameters are saved in non-volatile memory.
- The parameters that require turning the power supply OFF and ON again are enabled.

Refer to the following section for a detailed operating procedure.

 [13.5.3 Executing a Module Reset](#) on page 13-33

5.2

Power Supply Type Settings for the Main Circuit and Control Circuit

A SERVOPACK with a 200-VAC power supply input can be operated on either an AC power supply input or DC power supply input to the main and control circuits. If you select an AC power supply input, you can operate the SERVOPACK on either a single-phase power supply input or a three-phase power supply input. This section describes the settings related to the power supplies.

You cannot input DC power to a SERVOPACK with a single-phase, 100-VAC power supply input.

5.2.1

AC Power Supply Input/DC Power Supply Input Setting

Set Pn001 = n.□X□□ (Main Circuit Power Supply AC/DC Input Selection) to specify whether to use an AC or DC power supply input for the main circuit power supply to the SERVOPACK. If the setting of Pn001 = n.□X□□ does not agree with the actual power supply input, an A.330 alarm (Main Circuit Power Supply Wiring Error) will occur.

Example Examples of When an A.330 Alarm (Main Circuit Power Supply Wiring Error) Occurs

- A DC power supply is connected between the B1/⊕ and ⊖2 terminals, but an AC power supply input is specified (Pn001 = n.□0□□).
- An AC power supply is input to the L1, L2, and L3 terminals, but a DC power supply is specified (Pn001 = n.□1□□).


	Parameter	Meaning	When Enabled	Classification
Pn001	n.□0□□ (default setting)	Use an AC power supply input.	After restart	Setup
	n.□1□□	Use a DC power supply input.		

**WARNING**


- Connect the AC or DC power supplies to the specified SERVOPACK terminals.
 - Connect an AC power supply to the L1, L2, and L3 terminals and the L1C and L2C terminals on the SERVOPACK.
 - Connect a DC power supply to the B1/⊕ and ⊖2 terminals and the L1C and L2C terminals on the SERVOPACK.
 There is a risk of failure or fire.
- Always specify a DC power supply input (Pn001 = n.□1□□) before you input DC power for the main circuit power supply.

If you input DC power without specifying a DC power supply input (i.e., without setting Pn001 to n.□1□□), the SERVOPACK's internal elements may burn and may cause fire or damage to the equipment.
- With a DC power supply input, time is required to discharge electricity after the main power supply is turned OFF. A high residual voltage may remain in the SERVOPACK after the power supply is turned OFF. Be careful not to get an electric shock.
- Install fuses on the power supply line if you use DC power.
- The Servomotor returns regenerative energy to the power supply. If you use a SERVOPACK with a DC power supply input, regenerative energy is not processed. Process the regenerative energy at the power supply.
- If you use a DC power supply input with any of the following SERVOPACKs, externally connect an inrush current limiting circuit and use the power ON and OFF sequences recommended by Yaskawa: SGD7S-330A, -470A, -550A, -590A, or -780A.

There is a risk of equipment damage.
Refer to the following section for the power ON and OFF sequences.

 4.3.3 Power ON Sequence on page 4-14

Refer to the following section for information on wiring the SERVOPACK.

 4.3.4 Power Supply Wiring Diagrams on page 4-15

5.2.2 Single-phase AC Power Supply Input/Three-phase AC Power Supply Input Setting

Some models of Three-phase 200-VAC SERVOPACKs can also operate on a single-phase 200-VAC power supply.


You can use a single-phase, 200-V power supply input with the following models.

- SGD7S-R70A, -R90A, -1R6A, -2R8A, and -5R5A

If you use a single-phase, 200-VAC power supply input for the SERVOPACK's main circuit power supply, set parameter Pn00B to n.□1□□ (Use a three-phase power supply input as a single-phase power supply input).

Information You do not need to change the setting of Pn00B to n.□1□□ (Use a three-phase power supply input as a single-phase power supply input) for a SERVOPACK with a single-phase 200-VAC power supply input (model numbers: SGD7S-120AE0A008) or for a SERVOPACK with a single-phase 100-VAC power supply input.

Parameter	Meaning	When Enabled	Classification
Pn00B	n.□0□□ (default setting)	After restart	Setup
	n.□1□□		



Important

1. If you use a single-phase power supply input without specifying a single-phase AC power supply (Pn00B = n.□1□□), an A.F10 alarm (Power Supply Line Open Phase) will occur.
2. Not all SERVOPACKs can be run on a single-phase AC power supply input. If you connect a single-phase AC power supply input to a SERVOPACK that does not support single-phase power, an A.F10 alarm (Power Supply Line Open Phase) will occur.
3. If you use a single-phase 200-VAC power supply input, the torque-motor speed characteristic of the Servomotor will not be the same as for a three-phase AC power supply input. Decide whether to use a single-phase or three-phase AC power supply input after checking the characteristics given in the Servomotor manual or catalog.

Refer to the following section for information on wiring a single-phase AC power supply input to the SERVOPACK.

 • *Wiring Example for Single-Phase, 200-VAC Power Supply Input* on page 4-16

5.3

Automatic Detection of Connected Motor

You can use a SERVOPACK to operate either a Rotary Servomotor or a Linear Servomotor. If you connect the Servomotor encoder to the CN2 connector on the SERVOPACK, the SERVOPACK will automatically determine which type of Servomotor is connected. Therefore, you normally do not need to specify the motor type.


Information If an encoder is not connected, e.g., for a test without a motor, you can specify a Rotary Servomotor or a Linear Servomotor in Pn000 = n.X□□□ (Rotary/Linear Startup Selection When Encoder Is Not Connected). If you specify either a Rotary or Linear Servomotor, only the parameters, monitors, alarms, and functions for the specified motor type will be enabled.

	Parameter	Meaning	When Enabled	Classification
Pn000	n.0□□□ (default setting)	When an encoder is not connected, start as SERVOPACK for Rotary Servomotor.	After restart	Setup
	n.1□□□	When an encoder is not connected, start as SERVOPACK for Linear Servomotor.		

5.4 Motor Direction Setting

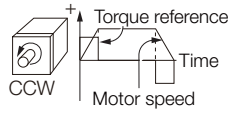
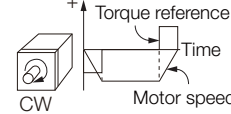
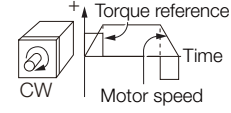
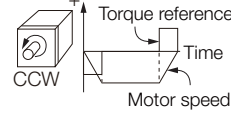
You can reverse the direction of Servomotor rotation by changing the setting of Pn000 = n.□□□X (Direction Selection) without changing the polarity of the speed or position reference. This causes the rotation direction of the motor to change, but the polarity of the signals, such as encoder output pulses, output from the SERVOPACK do not change. Set the appropriate direction for your system.

Refer to the following section for details on the encoder divided pulse output.

 6.5 Encoder Divided Pulse Output on page 6-9

• Rotary Servomotors

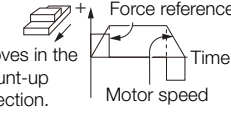
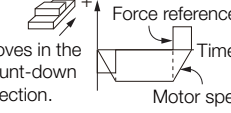
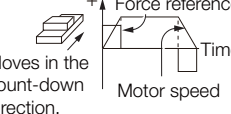
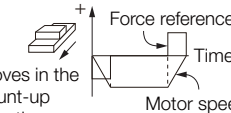
The default setting for forward rotation is counterclockwise (CCW) as viewed from the load end of the Servomotor. However, for overtravel, the rotation direction is the direction as viewed from the encoder.

Parameter	Forward/Reverse Reference	Motor Direction and Encoder Divided Pulse Outputs	Applicable Overtravel Signal (OT)
Pn000	n.□□□0 Use CCW as the forward direction. (default setting)	Forward reference 	CW-OT (CW Drive Prohibit Input) signal
		Reverse reference 	CCW-OT (CCW Drive Prohibit Input) signal
	n.□□□1 Use CW as the forward direction. (Reverse Rotation Mode)	Forward reference 	CW-OT (CW Drive Prohibit Input) signal
		Reverse reference 	CCW-OT (CCW Drive Prohibit Input) signal

Note: The trace waveforms of the SigmaWin+ are shown in the above table for the torque reference and motor speed diagrams. If you measure them on a measuring instrument, e.g., with an analog monitor, the polarity will be reversed.

• Linear Servomotors

Before you set this parameter, make sure that Pn080 = n.□□X□ (Motor Phase Sequence Selection) is set correctly.

Parameter	Forward/Reverse Reference	Motor Moving Direction and Encoder Divided Pulse Outputs	Applicable Overtravel Signal (OT)
Pn000	n.□□□0 Use the direction in which the linear encoder counts up as the forward direction. (default setting)	Forward reference 	CW-OT (CW Drive Prohibit Input) signal
		Reverse reference 	CCW-OT (CCW Drive Prohibit Input) signal
	n.□□□1 Use the direction in which the linear encoder counts down as the forward direction.	Forward reference 	CW-OT (CW Drive Prohibit Input) signal
		Reverse reference 	CCW-OT (CCW Drive Prohibit Input) signal

Note: The trace waveforms of the SigmaWin+ are shown in the above table for the force reference and motor speed diagrams. If you measure them on a measuring instrument, e.g., with an analog monitor, the polarity will be reversed.

5.5

Setting the Linear Encoder Pitch

If you connect a linear encoder to the SERVOPACK through a Serial Converter Unit, you must set the scale pitch of the linear encoder in Pn282.

If a Serial Converter Unit is not connected, you do not need to set Pn282.



Term

Serial Converter Unit

The Serial Converter Unit converts the signal from the linear encoder into a form that can be read by the SERVOPACK.

Scale Pitch

A linear encoder has a scale for measuring lengths (positions). The length of one division on this scale is the scale pitch.

Pn282	Linear Encoder Pitch				
	Setting Range	Setting Unit	Default Setting	When Enabled	Classification
	0 to 6,553,600	0.01 μm	0	After restart	Setup

You will not be able to control the Linear Servomotor if Pn282 is not set correctly. Check the above table and always set the correct value before you operate the Linear Servomotor.

Type of Linear Encoder	Manufacturer	Model	Serial Converter Unit Model	Linear Encoder Pitch [μm]
Incremental	Heidenhain Corporation	LIDA48□	JZDP-H003-□□□-E	20
			JZDP-J003-□□□-E	
		LIF48□	JZDP-H003-□□□-E	4
			JZDP-J003-□□□-E	
	Renishaw PLC	RGH22B	JZDP-H005-□□□-E	20
			JZDP-J005-□□□-E	

The first time you supply power to the SERVOPACK, the panel display on the front of the Servomotor will display an A.080 alarm (Linear Encoder Pitch Setting Error). The A.080 alarm is displayed because the setting of Pn282 has not been changed. The A.080 alarm will be cleared when you change the setting of Pn282 and then turn the power supply OFF and ON again.

Information**Linear Encoder Pitch**

If you do not use a Serial Converter Unit, the linear encoder pitch is automatically set. It is not necessary to set Pn282. You can use the SigmaWin+ to check the linear encoder pitch that was automatically set. Refer to the following section for details.

9.1 Monitoring Product Information on page 9-2

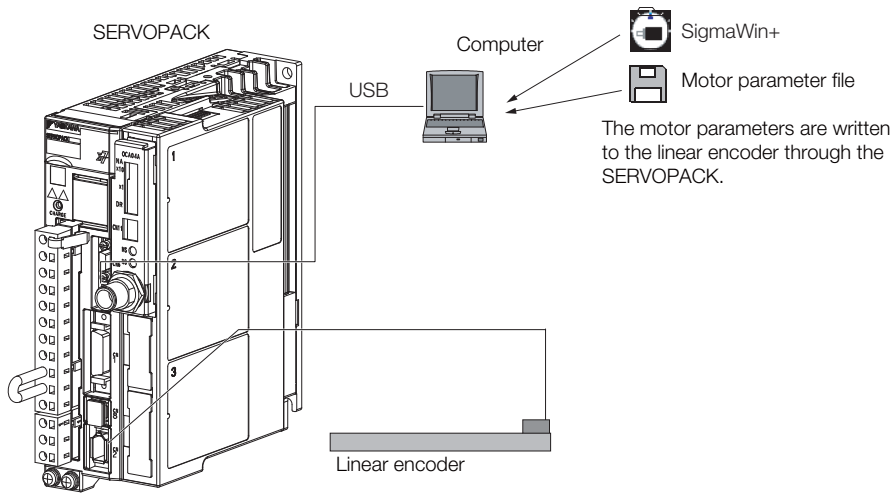
5.6 Writing Linear Servomotor Parameters

If you connect a linear encoder to the SERVOPACK without going through a Serial Converter Unit, you must use the SigmaWin+ to write the motor parameters to the linear encoder. The motor parameters contain the information that is required by the SERVOPACK to operate the Linear Servomotor.

You can download the motor parameters from our web site (<http://www.e-mechatronics.com/>).

WARNING

- Check the motor and linear encoder information before you write the motor parameters. If you do not write the correct motor parameters, the motor may run out of control or burning may occur, possibly resulting in equipment damage or fire.



Serial number information is not included in the motor parameters. You cannot use the monitor functions of the SERVOPACK to monitor the serial number. If you attempt to monitor the serial number, ***** will be displayed.

Important

Precautions

- If the encoder parameters are not written to the linear encoder, an A.CA0 alarm (Encoder Parameter Error) will occur. Consult the manufacturer of the linear encoder.
- If the motor parameters are not written to the linear encoder, an A.CA0 alarm (Encoder Parameter Error) will not occur, but the following alarms will occur.
 A.040 (Parameter Setting Error), A.041 (Encoder Output Pulse Setting Error),
 A.050 (Combination Error), A.051 (Unsupported Device Alarm),
 A.550 (Maximum Speed Setting Error), A.710 (Instantaneous Overload),
 A.720 (Continuous Overload), and A.C90 (Encoder Communications Error)


Applicable Tools

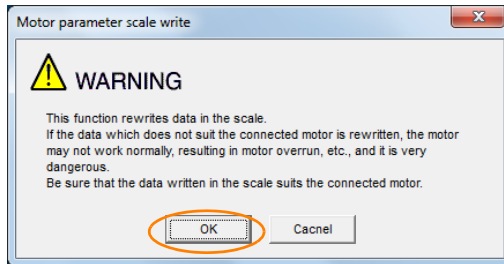
The following table lists the tools that you can use to write the parameters to the Linear Servomotor and the applicable tool functions.

Tool	Function	Reference
Digital Operator	You cannot write Linear Servomotor parameters from the Digital Operator.	
SigmaWin+	Setup - Motor Parameters	<i>Operating Procedure</i> on page 5-19

Operating Procedure

Use the following procedure to write the motor parameters to the Linear Encoder.

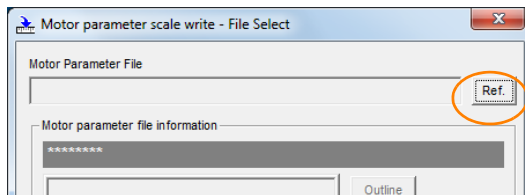
1. Prepare the motor parameter file to write to the linear encoder.
2. Click the  Servo Drive Button in the workspace of the Main Window of the SigmaWin+.
3. Select **Motor Parameter Scale Write** in the Menu Dialog Box. The Motor Parameter Scale Write Dialog Box will be displayed.
4. Click the **OK** Button.



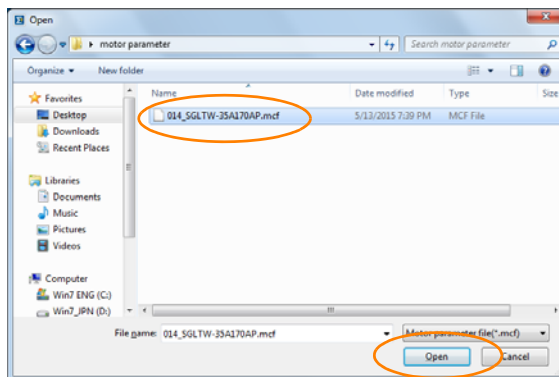
Click the **Cancel** Button to cancel writing the motor parameters to the linear encoder. The Main Window will return.

If the write is completed normally, the Motor Parameter Scale Write - File Select Dialog Box will be displayed.

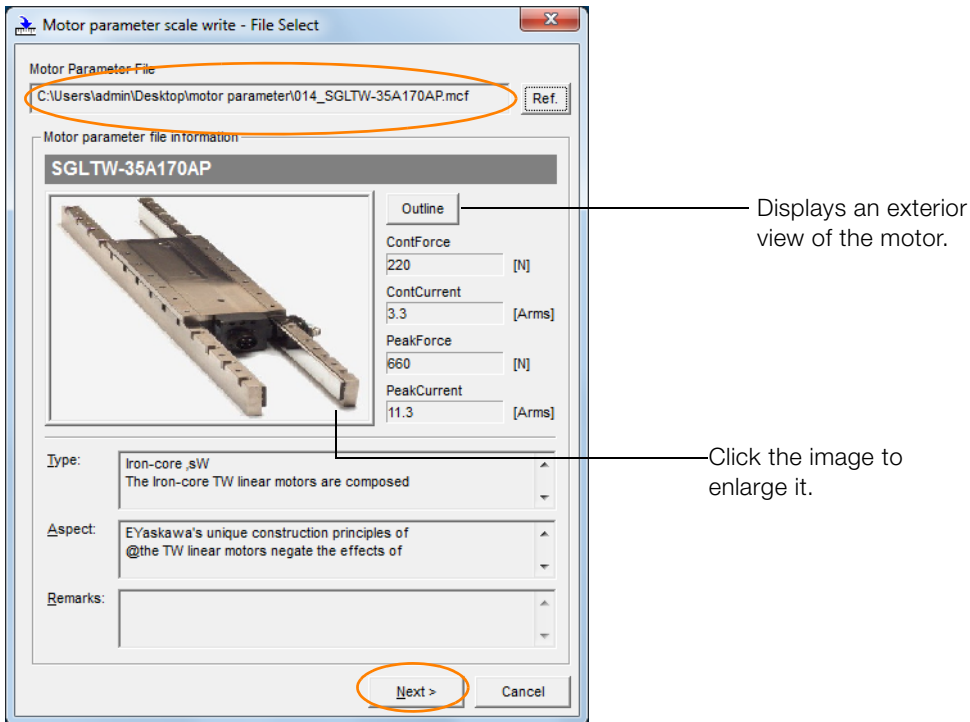
5. Click the **Ref.** Button.



6. Select the motor parameter file that you prepared and click the **Open** Button.

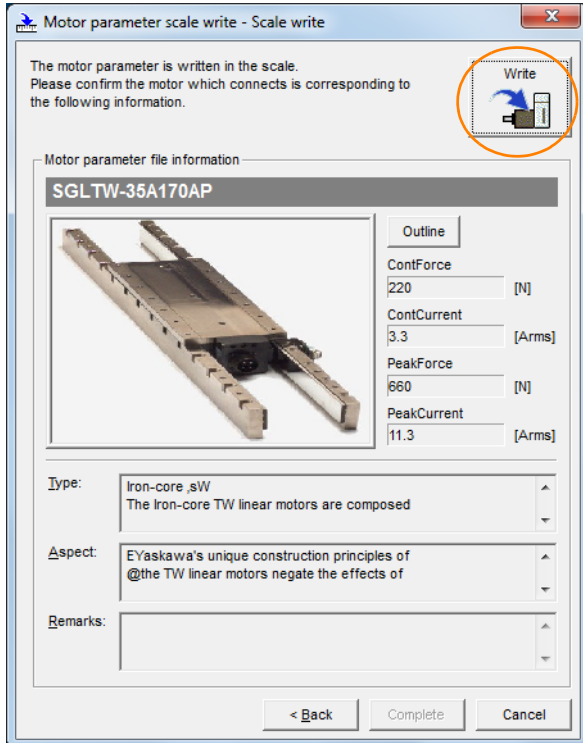


- 7. Confirm that the motor parameter file information that is displayed is suitable for your motor, and then click the **Next Button**.

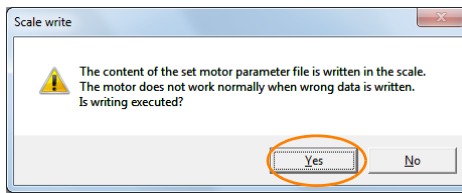


Click the **Cancel** Button to cancel writing the motor parameters to the linear encoder. The Main Window will return.

- 8. Click the **Write Button**.



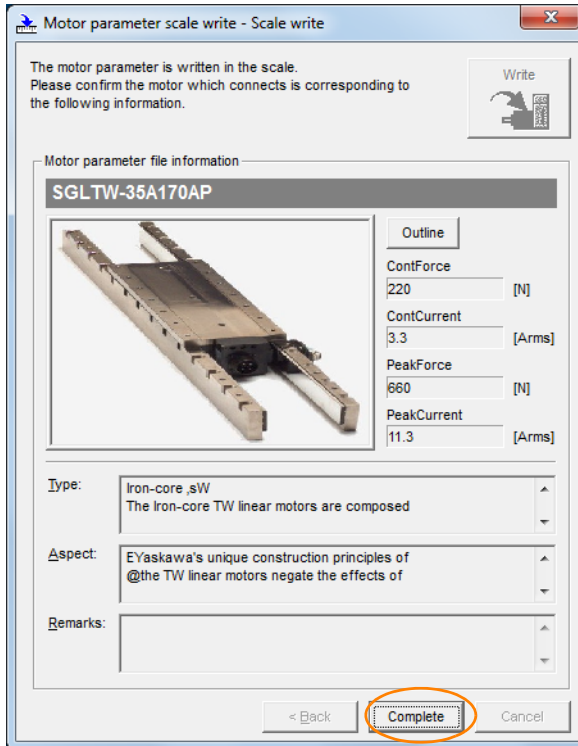
9. Click the Yes Button.



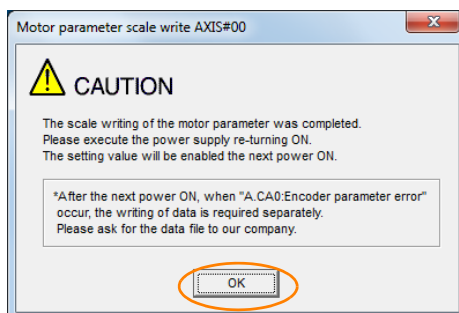
Click the **No** Button to cancel writing the motor parameters to the linear encoder.

If you click the **Yes** Button, writing the motor parameter scale will start.

10. Click the Complete Button.



11. Click the OK Button.



12. Turn the power supply to the SERVOPACK OFF and ON again.

This concludes the procedure to write the motor parameters.

Confirming If the Motor Parameters Have Been Written

After you write the motor parameters, you can use a monitor function to confirm that the motor parameters are in the encoder.

If the motor parameters have not been written, no information on the Servomotor will be displayed.

9.1 Monitoring Product Information on page 9-2


5.7

Selecting the Phase Sequence for a Linear Servomotor

You must select the phase sequence of the Linear Servomotor so that the forward direction of the Linear Servomotor is the same as the encoder's count-up direction.

Before you set the Linear Servomotor phase sequence (Pn080 = n.□□X□), check the following items.

- Confirm that the signal from the linear encoder is being received normally.
- Make sure that the forward direction of the Linear Servomotor and the count-up direction of the linear encoder are in the same direction.



Important If you do not confirm the above items before you attempt to operate the motor, the motor may not operate or it may run out of control. Always confirm these items before you operate the motor.

Related Parameters

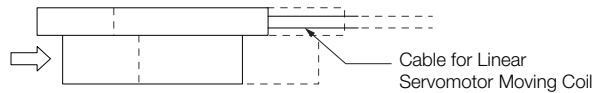
Parameter	Meaning	When Enabled	Classification
Pn080	n.□□0□ (default setting)	After restart	Setup
	n.□□1□		

Operating Procedure

Use the following procedure to select the phase sequence for a Linear Servomotor.

1. Set Pn000 to n.□□□0 (Set a phase-A lead as a phase sequence of U, V, and W).
This setting is to make following confirmation work easier to understand.
2. Select **Monitor - Monitor - Motion Monitor** from the menu bar of the Main Window of the SigmaWin+.
A dialog box will be displayed so that you can check the feedback pulse counter.
To check the feedback pulse counter with the Digital Operator, use Un00D (Feedback Pulse Counter).
3. Manually move the Moving Coil from one end to the other of the stroke and confirm that only the correct number of feedback pulses is returned.
If the correct number and only the correct number of pulses is returned, the signal is being received correctly from the linear encoder.

Example In this example, assume that a linear encoder with a scale pitch of 20 μm and a resolution of 256 is used. If you manually move the Moving Coil 1 cm in the count-up direction of the linear encoder, the number of feedback pulses would be as follows:
 $1 \text{ cm} / (20 \text{ μm} / 256) = 128,000 \text{ pulses}$



If there are 128,000 pulses on the feedback pulse counter after you manually move the Moving Coil in the direction of the cable, you have completed the confirmation.

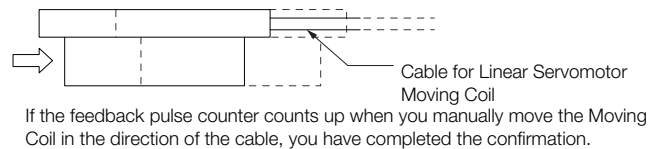
Note: The actual monitor display will be offset by the error in the travel distance. There is no problem as long as the above value is close to the calculated value.

Information

If the correct value is not displayed for the feedback pulse counter, the following conditions may exist. Check the situation and correct any problems.

- The linear encoder pitch is not correct.
If the scale pitch that is set in Pn282 does not agree with the actual scale pitch, the expected number of feedback pulses will not be returned. Check the specifications of the linear encoder.
- The linear encoder is not adjusted properly.
If the linear encoder is not adjusted properly, the output signal level from the linear encoder will drop and the correct number of pulses will not be counted. Check the adjustment of the linear encoder. Contact the manufacturer of the linear encoder for details.
- There is a mistake in the wiring between the linear encoder and the Serial Converter Unit.
If the wiring is not correct, the correct number of pulses will not be counted. Correct the wiring.

4. Manually move the Moving Coil in the direction of the cable and check the value of the feedback pulse counter on the SigmaWin+ to confirm that it is counting up.
If the pulses are counted up, the forward direction of the Linear Servomotor is the same as the count-up direction of the linear encoder.



5. If the feedback pulse counter counts down, set a phase-B lead as a phase sequence of U, V, and W (Pn080 = n.□□1□) and turn the power supply OFF and ON again.
6. If necessary, return Pn000 = n.□□□X (Direction Selection) to its original setting.

This concludes the procedure to set the phase sequence of the Linear Servomotor.

5.8 Polarity Sensor Setting

The polarity sensor detects the polarity of the Servomotor. You must set a parameter to specify whether the Linear Servomotor that is connected to the SERVOPACK has a polarity sensor. Specify whether there is a polarity sensor in Pn080 = n.□□□X (Polarity Sensor Selection).

If the Linear Servomotor has a polarity sensor, set Pn080 to n.□□□0 (Use polarity sensor) (default setting).

If the Linear Servomotor does not have a polarity sensor, set Pn080 to n.□□□1 (Do not use polarity sensor). Turn the power supply OFF and ON again to enable the new setting.

	Parameter	Meaning	When Enabled	Classification
Pn080	n.□□□0 (default setting)	Use polarity sensor.	After restart	Setup
	n.□□□1	Do not use polarity sensor.		

Information

If you set Pn080 to n.□□□0 (Use polarity sensor) and the Linear Servomotor that is connected to the SERVOPACK does not have a polarity sensor, an A.C21 alarm (Polarity Sensor Error) will occur when you turn the power supply OFF and ON again.

5.9 Polarity Detection

If you use a Linear Servomotor that does not have a polarity sensor, then you must detect the polarity.

Detecting the polarity means that the position of the electrical phase angle on the electrical angle coordinates of the Servomotor is detected. The SERVOPACK cannot control the Servomotor correctly unless it accurately knows the position of the electrical angle coordinate of the Servomotor.

The execution timing and execution method for polarity detection depend on the encoder specification as described in the following table.

Encoder Specification	Polarity Detection Execution Timing	Polarity Detection Execution Method
Incremental encoder	Each time the control power supply to the SERVOPACK is turned ON (Even after you execute polarity detection, the position of the polarity will be lost the next time the control power supply to the SERVOPACK is turned OFF.)	<ul style="list-style-type: none"> • Use the Servo ON command (Enable = 1). • Use the polarity detection function of the SigmaWin+. • Execute the Fn080 (Polarity Detection) utility function from the Digital Operator.
Absolute encoder	Only for initial setup, or after the SERVOPACK, linear encoder, or motor has been replaced (The results of polarity detection is stored in the absolute encoder, so the polarity position is not lost when the control power supply is turned OFF.)	<ul style="list-style-type: none"> • Use the polarity detection function of the SigmaWin+. • Execute the Fn080 (Polarity Detection) utility function from the Digital Operator.

Information If you use a Linear Servomotor that does not have a polarity sensor, you will not be able to turn ON the servo until polarity detection has been completed.

5.9.1 Restrictions

Assumed Conditions

The Servomotor will move when you execute polarity detection. The following conditions must be met before you start.


- It must be OK to move the Moving Coil about 10 mm.
(If polarity detection fails, the Moving Coil may move approximately 5 cm. The amount of movement depends on conditions.)
- The linear encoder pitch must be 100 μm or less. (We recommend a pitch of 40 μm or less for an incremental encoder.)
- As much as possible, the motor must not be subjected to an imbalanced external force. (We recommend 5% or less of the rated force.)
- The mass ratio must be 50x or less.
- The axis must be horizontal.
- There must be friction equivalent to a few percent of the rated force applied to the guides. (Air sliders cannot be used.)

Preparations

Always check the following before you execute polarity detection.

- Not using a polarity sensor must be specified (Pn080 = n.□□□1).
- The servo must be OFF.
- The main circuit power supply must be ON.
- There must be no hard wire base block (HWBB).
- There must be no alarms except for an A.C22 alarm (Phase Information Disagreement).

- The parameters must not be write prohibited. (This item applies only when using the SigmaWin+ or Digital Operator.)
- The test without a motor function must be disabled (Pn00C = n.□□□0).
- There must be no overtravel.
- If the motor parameters have been written or the origin of the absolute linear encoder has been set, the power supply to the SERVOPACK must be turned OFF and ON again after completion of the writing or setting operation.



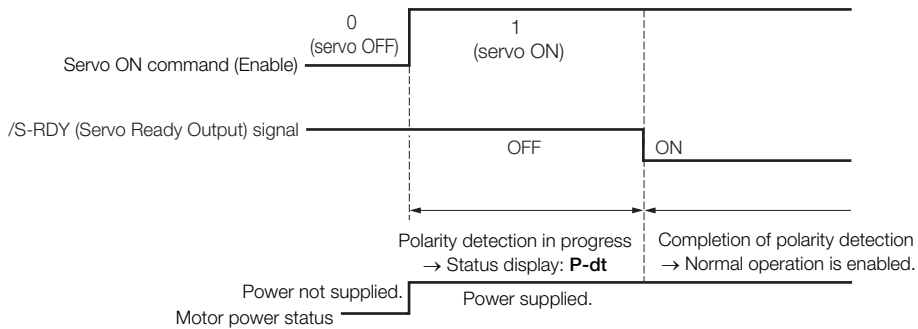
1. Power is supplied to the Servomotor during polarity detection. Be careful not to get an electric shock. Also, the Moving Coil of the Linear Servomotor may greatly move during detection. Do not approach the moving parts of the Servomotor.

2. Polarity detection is affected by many factors. For example, polarity detection may fail if the mass ratio or friction is too large or the cable tension is too strong.

5.9.2 Using the Servo ON Command to Perform Polarity Detection

You can use the Servo ON command to perform polarity detection only with an incremental linear encoder.



Polarity detection will start simultaneously with execution of the Servo ON command. As soon as polarity detection is completed, the /S-RDY (Servo Ready Output) signal will turn ON and the servo will remain ON.



5.9.3 Using a Tool Function to Perform Polarity Detection


Applicable Tools

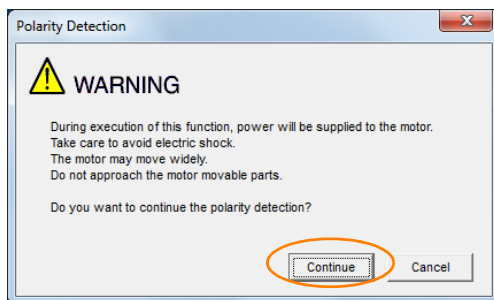
The following table lists the tools that you can use to perform polarity detection and the applicable tool functions.

Tool	Function	Reference
Digital Operator	Fn080	 Σ -7-Series Digital Operator Operating Manual (Manual No.: SIEP S800001 33)
SigmaWin+	Setup - Polarity Detection	 <i>Operating Procedure</i> on page 5-27

Operating Procedure

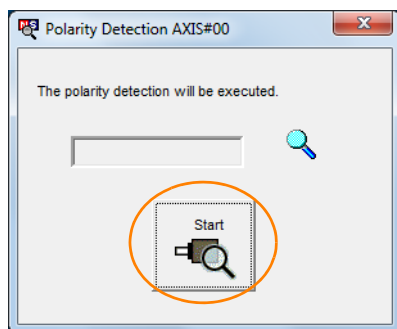
Use the following procedure to perform polarity detection.

1. Click the  Servo Drive Button in the workspace of the Main Window of the SigmaWin+.
2. Select **Polarity Detection** in the Menu Dialog Box.
The Polarity Detection Dialog Box will be displayed.
3. Click the **Continue** Button.



Click the **Cancel** Button to cancel polarity detection. The Main Window will return.

4. Click the **Start** Button.
Polarity detection will be executed.



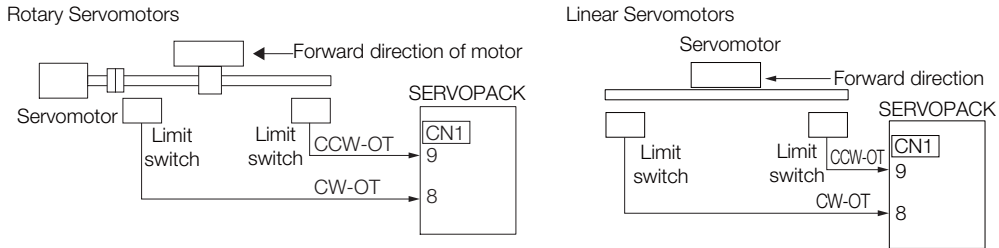
This concludes the polarity detection procedure.

5.10 Overtravel and Related Settings

Overtravel is a function of the SERVOPACK that forces the Servomotor to stop in response to a signal input from a limit switch that is activated when a moving part of the machine exceeds the safe range of movement.

The overtravel signals include the CCW-OT (CCW Drive Prohibit) and the CW-OT (CW Drive Prohibit) signals. You use the CCW-OT and CW-OT signals to stop the machine by installing limit switches at the positions where you want to stop the machine that is operated by the Servomotor.

A SERVOPACK wiring example is provided below.



Using the overtravel function is not necessary for rotating applications such as rotary tables and conveyors. No wiring for overtravel input signals is required.

This section describes the parameters settings related to overtravel.

CAUTION

- To prevent accidents that may result from contact faults or disconnections, use normally closed limit switches.
Do not change the default settings of the polarity of the overtravel signals (CCW-OT and CW-OT).
- If you use a Servomotor for a vertical axis, the /BK (Brake) signal will remain ON (i.e., the brake will be released) when overtravel occurs. This may result in the workpiece falling when overtravel occurs. To prevent the workpiece from falling, set a hard stop (PnB1A = 0001 hex) or set a smooth stop (PnB1A = 0002 hex).
- A base block state is entered after stopping for overtravel. This may cause the Servomotor to be pushed back by an external force on the load shaft. To prevent the Servomotor from being pushed back, set a hard stop (PnB1A = 0001 hex) or set a smooth stop (PnB1A = 0002 hex).

5.10.1 Overtravel Signals

The overtravel signals include the CCW-OT (CCW Drive Prohibit) and the CW-OT (CW Drive Prohibit) signals.

Type	Signal	Connector Pin No.	Meaning
Input	CCW-OT	CN1-8	Prohibits CCW drive (counterclockwise as viewed from the encoder).
	CW-OT	CN1-9	Prohibits CW drive (clockwise as viewed from the encoder).

Even during overtravel, you can input a reference to drive the motor in the opposite direction.

5.10.2 Setting to Enable/Disable Overtravel

Use PnBA4 (Input Signal Settings) to enable/disable the overtravel function.

You do not need to wire the overtravel input signals if you are not going to use the overtravel function.

Parameter		Meaning
PnBA4	b.□□□□ □□□□ □□□□ □□□0	The CW-OT (CW Drive Prohibit Input) signal is disabled.
	b.□□□□ □□□□ □□□□ □□□1	The CW-OT (CW Drive Prohibit Input) signal is input from CN1-8. (Default setting)
	b.□□□□ □□□□ □□□□ □□□0	The CCW-OT (CCW Drive Prohibit Input) signal is disabled.
	b.□□□□ □□□□ □□□□ □□□1	The CCW-OT (CCW Drive Prohibit Input) signal is input from CN1-9. (Default setting)

Note: Overtravel does not depend on the setting of Pn000 = n.□□□X.

5.10.3 Setting Overtravel Signal Polarity

Use PnBA3 (Input Signal Logic Settings) to set the polarity of the signals that will be active.

Parameter		Meaning
PnBA3	b.□□□□ □□□□ □□□□ □□□0	The CCW-OT (CCW Drive Prohibit Input) signal is active while the external switch is open. (Default setting)
	b.□□□□ □□□□ □□□□ □□□1	The CCW-OT (CCW Drive Prohibit Input) signal is active while the external switch is closed.
	b.□□□□ □□□□ □□□□ □□□0	The CW-OT (CW Drive Prohibit Input) signal is active while the external switch is open. (Default setting)
	b.□□□□ □□□□ □□□□ □□□1	The CW-OT (CW Drive Prohibit Input) signal is active while the external switch is closed.

5.10.4 Motor Stopping Method for Overtravel


Use PnB1A (Hardware Limit Action Selection) to set the Servomotor stopping method when overtravel occurs.

Parameter		Meaning	Reference
PnB1A	0000 hex (default setting)	Servo OFF*1	–
	0001 hex	Hard stop*2	13.3.5 <i>Hard Stop Operation</i> on page 13-20
	0002 hex	Smooth stop*2	13.3.6 <i>Smooth Stop Operation</i> on page 13-21

*1. If overtravel occurs, the servo will be turned OFF regardless of the rotation direction.

*2. The motor will stop if overtravel occurs, but you can input a reference to drive the motor in the opposite direction.

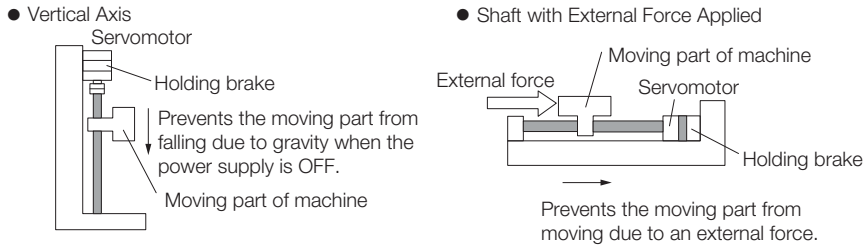
Refer to the following section for information on stopping methods other than those for overtravel.

 5.12.1 *Stopping Method for Servo OFF* on page 5-35

5.11 Holding Brake

A holding brake is used to hold the position of the moving part of the machine when the SERVOPACK is turned OFF so that moving part does not move due to gravity or an external force. You can use the brake that is built into a Servomotor with a Brake, or you can provide one on the machine.

The holding brake is used in the following cases.



Important

- The brake built into a Servomotor with a Brake is a de-energization brake. It is used only to hold the Servomotor and cannot be used for braking. Use the holding brake only to hold a Servomotor that is already stopped.
- The /BK signal will remain ON during overtravel. The brake will not be applied.

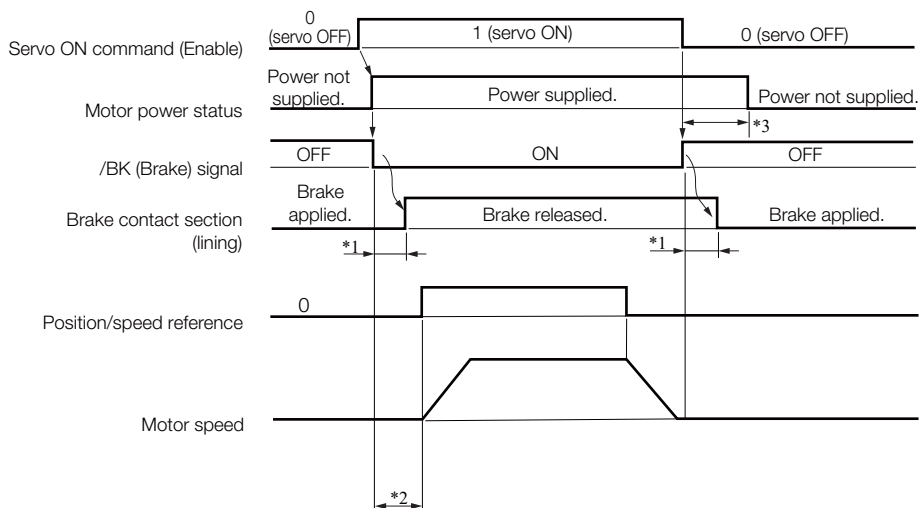
5.11.1 Brake Operating Sequence

You must consider the brake release delay time and the brake operation delay time to determine the brake operation timing, as described below.

Term

Brake Release Delay Time
 The time from when the /BK (Brake) signal is turned ON until the brake is actually released.

Brake Operation Delay Time
 The time from when the /BK (Brake) signal is turned OFF until the brake actually operates.



*1. Rotary Servomotors: The brake delay times for Servomotors with Holding Brakes are given in the following table. The operation delay times in the following table are examples for when the power supply is switched on the DC side. You must evaluate the actual brake delay times on the actual equipment before using the application.


Model	Voltage	Brake Release Delay Time [ms]	Brake Operation Delay Time [ms]
SGM7J-A5 to -04	24 VDC	60	100
SGM7J-06 and -08		80	
SGM7A-A5 to -04		60	
SGM7A-06 to -10		80	
SGM7A-15 to -25		170	80
SGM7A-30 to -50		100	
SGM7P-01		20	100
SGM7P-02 and -04		40	
SGM7P-08 and -15		20	
SGM7G-03 to -20		100	80
SGM7G-30 to -44		170	100
SGM7G-55 to -1A			80
SGM7G-1E			250

Linear Servomotors: The brake delay times depend on the brake that you use. Set the parameters related to /BK signal output timing according to the delay times for the brake that you will actually use.

- *2. Before you output a reference from the host controller to the SERVOPACK, wait for at least 50 ms plus the brake release delay time after you send the Servo ON command.
- *3. Use the following parameters to set the timing of when the brake will operate and when the servo will be turned OFF.
 - Rotary Servomotors: Pn506 (Brake Reference-Servo OFF Delay Time), Pn507 (Brake Reference Output Speed Level), and Pn508 (Servo OFF-Brake Reference Waiting Time)
 - Linear Servomotors: Pn506 (Brake Reference-Servo OFF Delay Time), Pn508 (Servo OFF-Brake Reference Waiting Time), and Pn583 (Brake Reference Output Speed Level)

Connection Examples

Refer to the following section for information on brake wiring.

 4.4.4 Wiring the SERVOPACK to the Holding Brake on page 4-31

5.11.2 /BK (Brake) Signal

The following settings are for the output signal that controls the brake.

The /BK signal is turned OFF (to operate the brake) when the servo is turned OFF or when an alarm is detected. You can adjust the timing of brake operation (i.e., the timing of turning OFF the /BK signal) with the servo OFF delay time (Pn506).

Type	Signal	Connector Pin No.	Signal Status	Meaning
Output	/BK	CN1-1, CN1-2	ON (closed)	Releases the brake.
			OFF (open)	Activates the brake.

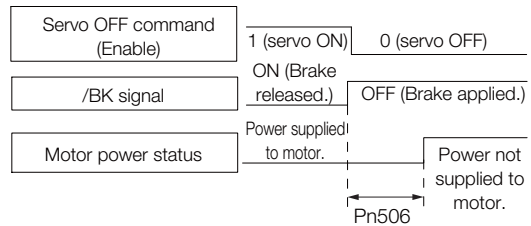
Information The /BK signal will remain ON during overtravel. The brake will not be applied.


5.11.3 Output Timing of /BK (Brake) Signal When the Servomotor Is Stopped

When the Servomotor is stopped, the /BK signal turns OFF as soon as the Servo OFF command (Enable = 0) is received. Use the servo OFF delay time (Pn506) to change the timing to turn OFF power supply to the motor after the Servo OFF command is input.

Pn506	Brake Reference-Servo OFF Delay Time				
	Setting Range	Setting Unit	Default Setting	When Enabled	Classification
	0 to 50	10 ms	0	Immediately	Setup

- When the Servomotor is used to control a vertical axis, the machine moving part may move slightly due to gravity or an external force. You can eliminate this slight motion by setting the servo OFF delay time (Pn506) so that power supply to the motor is stopped after the brake is applied.
- This parameter sets the timing of stopping power supply to the Servomotor while the Servomotor is stopped.





Important Power supply to the Servomotor will be stopped immediately when an alarm occurs, regardless of the setting of this parameter. The machine moving part may move due to gravity or an external force before the brake is applied.

5.11.4 Output Timing of /BK (Brake) Signal When the Servomotor Is Operating

If an alarm occurs while the Servomotor is operating, the Servomotor will start stopping and the /BK signal will be turned OFF. You can adjust the timing of /BK signal output by setting the brake reference output speed level (Rotary Servomotors: Pn507, Linear Servomotors: Pn583) and the servo OFF-brake reference waiting time (Pn508).

Note: If zero-speed stopping is set as the stopping method for alarms, the setting of Pn506 (Brake Reference-Servo OFF Delay Time) is used after the motor stops.

- Rotary Servomotors

Pn507	Brake Reference Output Speed Level				
	Setting Range	Setting Unit	Default Setting	When Enabled	Classification
	0 to 10,000	1 min ⁻¹	100	Immediately	Setup

Pn508	Servo OFF-Brake Reference Waiting Time				
	Setting Range	Setting Unit	Default Setting	When Enabled	Classification
	10 to 100	10 ms	50	Immediately	Setup

- Linear Servomotors

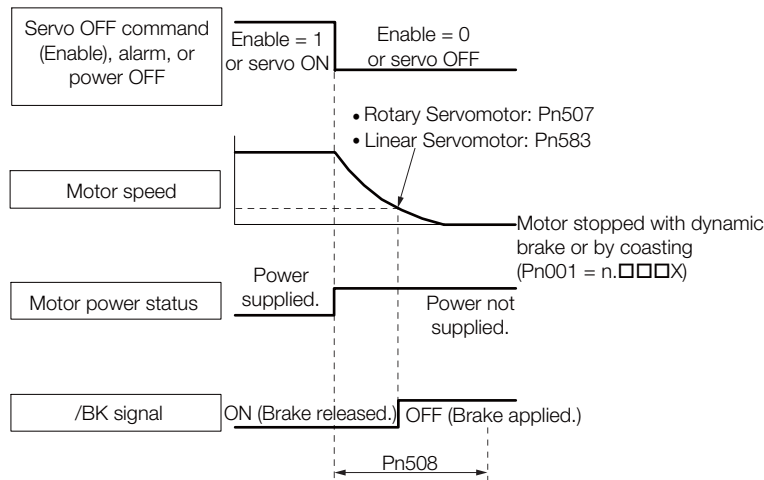
Pn583	Brake Reference Output Speed Level				
	Setting Range	Setting Unit	Default Setting	When Enabled	Classification
	0 to 10,000	1 mm/s	10	Immediately	Setup

Pn508	Servo OFF-Brake Reference Waiting Time				
	Setting Range	Setting Unit	Default Setting	When Enabled	Classification
	10 to 100	10 ms	50	Immediately	Setup

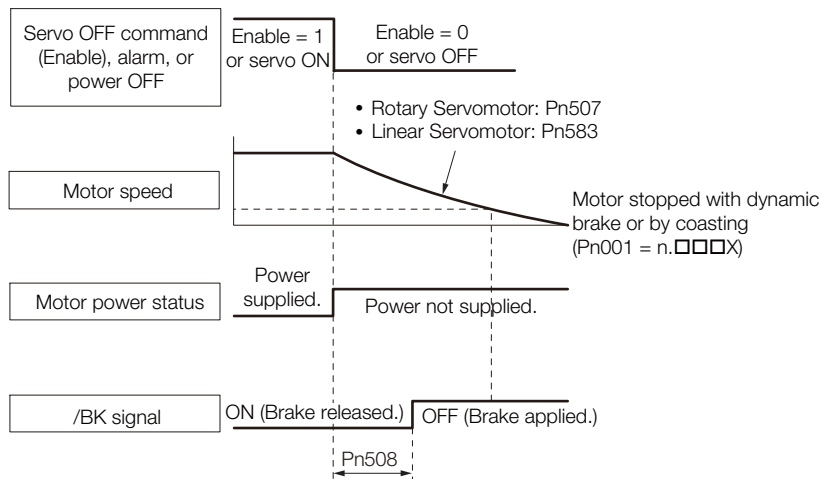
5.11.4 Output Timing of /BK (Brake) Signal When the Servomotor Is Operating


The brake operates when either of the following conditions is satisfied:

- When the Motor Speed Goes below the Level Set in Pn507 for a Rotary Servomotor or in Pn583 for a Linear Servomotor after the Power Supply to the Motor Is Stopped



- When the Time Set In Pn508 Elapses after the Power Supply to the Motor Is Stopped





Important The Servomotor will be limited to its maximum speed even if the brake reference output speed level (Rotary Servomotor: Pn507, Linear Servomotor: Pn583) is higher than the maximum speed.

5.12 Motor Stopping Method for Servo OFF and Alarms

You can use the following methods to stop the Servomotor when the servo is turned OFF or an alarm occurs.

There are the following four stopping methods.

Motor Stopping Method	Meaning
Stopping by Applying the Dynamic Brake	The electric circuits are internally connected to stop the Servomotor quickly.
Coasting to a Stop	The motor stops naturally due to friction during operation.
Zero Clamping	The speed reference is set to 0 to stop the Servomotor quickly.
Decelerating to a Stop	Emergency stop torque is used to decelerate the motor to a stop.

There are the following three conditions after stopping.

Status after Stopping	Meaning
Dynamic Brake Applied	The electric circuits are internally connected to hold the Servomotor.
Coasting	The SERVOPACK does not control the Servomotor. (The machine will move in response to a force from the load.)
Zero Clamping	A position loop is created and the Servomotor remains stopped at a position reference of 0. (The current stop position is held.)



Important

- The dynamic brake is used for emergency stops. The dynamic brake circuit will operate frequently if the power supply is turned ON and OFF or the servo is turned ON and OFF while a reference input is applied to start and stop the Servomotor. This may result in deterioration of the internal elements in the SERVOPACK. Use speed input references or position references to start and stop the Servomotor.
- If you turn OFF the main circuit power supply or control power supply during operation before you turn OFF the servo, the Servomotor stopping method depends on the SERVOPACK model as shown in the following table.

Condition	Servomotor Stopping Method	
	SGD7S-R70A, -1R6A, -2R8A, -3R8A, -5R5A, -7R6A, -120A, -180A, -200A, -R70F, -R90F, -2R1F, or -2R8F	SGD7S-330A, -470A, -550A, -590A, or -780A
Main circuit power supply turned OFF before turning OFF the servo	Stopping with dynamic brake	
Control power supply turned OFF before turning OFF the servo	Stopping with dynamic brake	Coasting to a stop

- If the Servomotor must be stopped by coasting rather than with the dynamic brake when the main circuit power supply or the control power supply is turned OFF before the servo is turned OFF, use a SERVOPACK with the Dynamic Brake Hardware Option.
- To minimize the coasting distance of the Servomotor to come to a stop when an alarm occurs, zero-speed stopping is the default method for alarms to which it is applicable. However, depending on the application, stopping with the dynamic brake may be more suitable than zero-speed stopping.
For example, when coupling two shafts (twin-drive operation), machine damage may occur if a zero-speed stopping alarm occurs for one of the coupled shafts and the other shaft stops with a dynamic brake. In such cases, change the stopping method to the dynamic brake.

5.12.1 Stopping Method for Servo OFF

Set the stopping method for when the servo is turned OFF in Pn001 = n.□□□X (Servo OFF or Alarm Group 1 Stopping Method).


Parameter		Servomotor Stopping Method	Status after Servomotor Stops	When Enabled	Classification
Pn001	n.□□□0 (default setting)	Dynamic brake	Dynamic brake	After restart	Setup
	n.□□□1		Coasting		
	n.□□□2	Coasting	Coasting		

Note: If Pn001 is set to n.□□□0 (Stop the motor by applying the dynamic brake) and the Servomotor is stopped or operates at a low speed, braking force may not be generated, just like it is not generated for coasting to a stop.

5.12.2 Servomotor Stopping Method for Alarms

There are two types of alarms, group 1 (Gr. 1) alarms and group 2 (Gr. 2) alarms. A different parameter is used to set the stopping method for alarms for each alarm type.


Refer to the following section to see which alarms are in group 1 and which are in group 2.

 14.2.1 List of Alarms on page 14-5

Motor Stopping Method for Group 1 Alarms

When a group 1 alarm occurs, the Servomotor will stop according to the setting of Pn001 = n.□□□X. The default setting is to stop by applying the dynamic brake.

Refer to the following section for details.

 5.12.1 Stopping Method for Servo OFF on page 5-35

Motor Stopping Method for Group 2 Alarms

When a group 2 alarm occurs, the Servomotor will stop according to the settings of the following three parameters. The default setting is for zero clamping.

- Pn001 = n.□□□X (Servo OFF or Alarm Group 1 Stopping Method)
- Pn00A = n.□□□X (Motor Stopping Method for Group 2 Alarms)
- Pn00B = n.□□X□ (Motor Stopping Method for Group 2 Alarms)

If you set Pn00B to n.□□1□ (Apply dynamic brake or coast Servomotor to a stop), you can use the same stopping method as group 1. If you are coordinating a number of Servomotors, you can use this stopping method to prevent machine damage that may result because of differences in the stopping method.

The following table shows the combinations of the parameter settings and the resulting stopping methods.

Parameter			Servomotor Stopping Method	Status after Servomotor Stops	When Enabled	Classification	
Pn00B	Pn00A	Pn001					
n.□□0□ (default setting)	-	n.□□□0 (default setting)	Zero-speed stopping	Dynamic brake	After restart	Setup	
		n.□□□1		Coasting			
		n.□□□2		Coasting			
n.□□1□	-	n.□□□0 (default setting)	Dynamic brake	Dynamic brake			
		n.□□□1		Coasting			
		n.□□□2	Coasting				
n.□□2□	n.□□□0 (default setting)	n.□□□0 (default setting)	Dynamic brake	Dynamic brake			
		n.□□□1		Coasting			
		n.□□□2	Coasting				
	n.□□□1	n.□□□0 (default setting)	n.□□□0 (default setting)	Motor is decelerated using the torque set in Pn406 as the maximum torque.			Dynamic brake
			n.□□□1				Coasting
			n.□□□2				Coasting
	n.□□□2	n.□□□0 (default setting)	n.□□□0 (default setting)		Coasting		
			n.□□□1		Coasting		
			n.□□□2		Coasting		
	n.□□□3	n.□□□0 (default setting)	n.□□□0 (default setting)	Motor is decelerated according to setting of Pn30A.	Dynamic brake		
			n.□□□1		Coasting		
			n.□□□2		Coasting		
n.□□□4	n.□□□0 (default setting)	n.□□□0 (default setting)	Coasting				
		n.□□□1	Coasting				
		n.□□□2	Coasting				

Stopping the Servomotor by Setting Emergency Stop Torque

To stop the Servomotor by setting emergency stop torque, set Pn406 (Emergency Stop Torque).

If Pn00A = n.□□□X is set to 1 or 2, the Servomotor will be decelerated to a stop using the torque set in Pn406 as the maximum torque.

The default setting is 800%. This setting is large enough to allow you to operate the Servomotor at the maximum torque. However, the maximum emergency stop torque that you can actually use is the maximum torque of the Servomotor.

Pn406	Emergency Stop Torque				
	Setting Range	Setting Unit	Default Setting	When Enabled	Classification
	0 to 800	1%*	800	Immediately	Setup

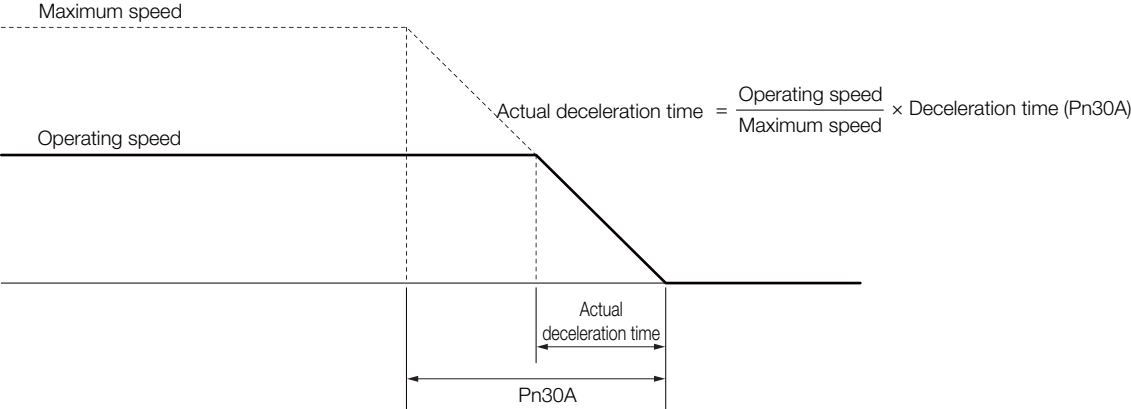
* Set a percentage of the motor rated torque.

Stopping the Servomotor by Setting the Deceleration Time

To specify the Servomotor deceleration time and use it to stop the Servomotor, set Pn30A (Deceleration Time for Servo OFF and Forced Stops).

Pn30A	Deceleration Time for Servo OFF and Forced Stops				
	Setting Range	Setting Unit	Default Setting	When Enabled	Classification
	0 to 10,000	1 ms	0	Immediately	Setup

If you set Pn30A to 0, the Servomotor will be stopped with a zero speed.
The deceleration time that you set in Pn30A is the time to decelerate the motor from the maximum motor speed.



5.13 Motor Overload Detection Level

The motor overload detection level is the threshold used to detect overload alarms and overload warnings when the Servomotor is subjected to a continuous load that exceeds the Servomotor ratings.

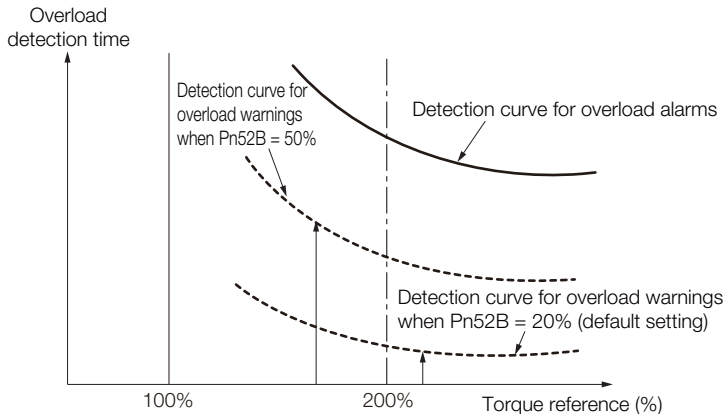
It is designed to prevent Servomotor overheating.

You can change the detection timing for A.910 warnings (Overload) and A.720 alarms (Continuous Overload). You cannot change the detection level for A.710 alarms (Instantaneous Overload).

5.13.1 Detection Timing for Overload Warnings (A.910)

With the default setting for overload warnings, an overload warning is detected in 20% of the time required to detect an overload alarm. You can change the time required to detect an overload warning by changing the setting of the overload warning level (Pn52B). You can increase safety by using overload warning detection as an overload protection function matched to the system.

The following graph shows an example of the detection of overload warnings when the overload warning level (Pn52B) is changed from 20% to 50%. An overload warning is detected in half of the time required to detect an overload alarm.



Pn52B	Overload Warning Level				
	Setting Range	Setting Unit	Default Setting	When Enabled	Classification
	1 to 100	1%	20	Immediately	Setup

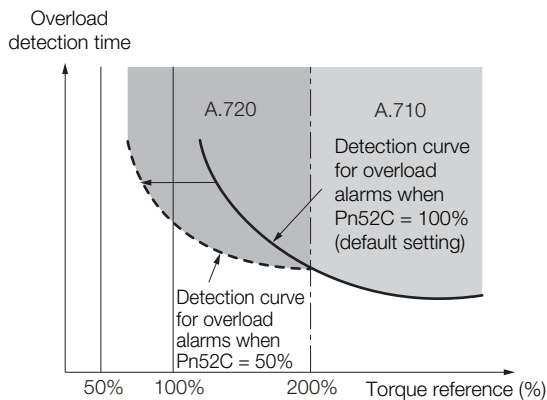
5.13.2 Detection Timing for Overload Alarms (A.720)

If Servomotor heat dissipation is insufficient (e.g., if the heat sink is too small), you can lower the overload alarm detection level to help prevent overheating.

To reduce the overload alarm detection level, change the setting of Pn52C (Base Current Derating at Motor Overload Detection).

Pn52C	Base Current Derating at Motor Overload Detection				
	Setting Range	Setting Unit	Default Setting	When Enabled	Classification
	10 to 100	1%	100	After restart	Setup

An A.720 alarm (Continuous Overload) can be detected earlier to protect the Servomotor from overloading.



Note: The gray areas in the above graph show where A.710 and A.720 alarms occur.

Refer to the relevant manual given below for a diagram that shows the relationships between the motor heat dissipation conditions (heat sink size, surrounding air temperature, and derating). You can protect the motor from overloads more effectively by setting this derating value in Pn52C.

📖 Σ -7-Series Rotary Servomotor Product Manual (Manual No.: SIEP S800001 36)

📖 Σ -7-Series Linear Servomotor Product Manual (Manual No.: SIEP S800001 37)

📖 Σ -7-Series Direct Drive Servomotor Product Manual (Manual No.: SIEP S800001 38)

5.14 Electronic Gear Settings

The minimum unit of the position data that is used to move a load is called the reference unit. The reference unit is used to give travel amounts, not in pulses, but rather in distances or other physical units (such as μm or $^\circ$) that are easier to understand.

The electronic gear is used to convert the travel distances that are specified in reference units to pulses, which are required for actual movements.

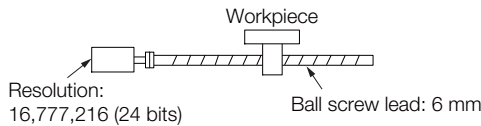
With the electronic gear, one reference unit is equal to the workpiece travel distance per reference pulse input to the SERVOPACK. In other words, if you use the SERVOPACK's electronic gear, pulses can be read as reference units.

Note: If you set an electronic gear in the host controller, normally set the electronic gear ratio in the SERVOPACK to 1:1.

The difference between using and not using the electronic gear is shown below.

• Rotary Servomotors

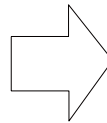
In this example, the following machine configuration is used to move the workpiece 10 mm.



When the Electronic Gear Is Not Used

- To move a workpiece 10 mm:
- ① Calculate the number of revolutions.
The motor will move 6 mm for each revolution, so $10/6$ revolutions are required to move 10 mm.
 - ② Calculate the required number of reference pulses.
One revolution is 16,777,216 pulses, therefore $10/6 \times 16,777,216 = 27,962,026.66$ pulses.
 - ③ Input 27,962,027 pulses as the reference.

Calculating the number of reference pulses for each reference is troublesome.



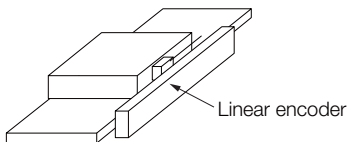
When the Electronic Gear Is Used

- If you use reference units to move the workpiece when one reference unit is set to $1 \mu\text{m}$, the travel distance is $1 \mu\text{m}$ per pulse.
To move the workpiece 10 mm ($10,000 \mu\text{m}$), $10,000 \div 1 = 10,000$ pulses, so 10,000 pulses would be input.

Calculating the number of reference pulses for each reference is not necessary.

• Linear Servomotors

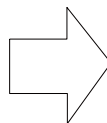
In this example, the following machine configuration is used to move the load 10 mm. We'll assume that the resolution of the Serial Converter Unit is 256 and that the linear encoder pitch is $20 \mu\text{m}$.



When the Electronic Gear Is Not Used

- To move the load 10 mm:
 $10 \times 1000 \div 20 \times 256 = 128,000$ pulses, so 128,000 pulses are input as the reference.

Calculating the number of reference pulses for each reference is troublesome.



When the Electronic Gear Is Used

- To use reference units to move the load 10 mm:
If we set the reference unit to $1 \mu\text{m}$, the travel distance is $1 \mu\text{m}$ per pulse. To move the load 10 mm ($10,000 \mu\text{m}$), $10,000/1 = 10,000$ pulses, so 10,000 pulses would be input as the reference.

Calculating the number of reference pulses for each reference is not necessary.

5.14.1 Electronic Gear Ratio Settings

Set the electronic gear ratio using Pn20E and Pn210.



Important

The setting range of the electronic gear depends on the setting of Pn040 = n.□□X□ (Encoder Resolution Compatibility Selection).

- Pn040 = n.□□0□ (Use the encoder resolution of the connected motor.)

Set the electronic gear ratio within the following range.

$$0.001 \leq \text{Electronic gear ratio (B/A)} \leq 64,000$$

If the electronic gear ratio is outside of this range, an A.040 alarm (Parameter Setting Error) will occur.

- Pn040 = n.□□1□ (Use a resolution of 20 bits when connected to an SGM7J, SGM7A, or SGM7G motor.)

Set the electronic gear ratio within the following range.

$$0.001 \leq \text{Electronic gear ratio (B/A)} \leq 4,000$$

If the electronic gear ratio is outside of this range, an A.040 alarm (Parameter Setting Error) will occur.



Important

The motor may not operate at the maximum speed depending on the encoder resolution and electronic gear ratio setting. Refer to the following table for details.

Encoder Resolution	Electronic Gear Ratio	Motor Speed Limit*
1,048,576	1	6,600 min ⁻¹
4,194,304	1	1,650 min ⁻¹
	4	6,600 min ⁻¹
16,777,216	1	413 min ⁻¹
	16	6,600 min ⁻¹

* This is the speed when 115,343,500 reference units/s is set for a parameter or command.

Pn20E	Electronic Gear Ratio (Numerator)				
	Setting Range	Setting Unit	Default Setting	When Enabled	Classification
	1 to 1,073,741,824	1	64	After restart	Setup
Pn210	Electronic Gear Ratio (Denominator)				
	Setting Range	Setting Unit	Default Setting	When Enabled	Classification
	1 to 1,073,741,824	1	1	After restart	Setup

Calculating the Settings for the Electronic Gear Ratio

◆ Rotary Servomotors

If the gear ratio between the Servomotor shaft and the load is given as n/m, where n is the number of load rotations for m Servomotor shaft rotations, the settings for the electronic gear ratio can be calculated as follows:

$$\text{Electronic gear ratio } \frac{B}{A} = \frac{Pn20E}{Pn210} = \frac{\text{Encoder resolution}}{\text{Travel distance per load shaft revolution (reference units)}} \times \frac{m}{n}$$

■ Encoder Resolution

You can check the encoder resolution in the Servomotor model number.

SGM7J, SGM7A,
SGM7P, SGM7G - □□□□□□

Code	Specification	Encoder Resolution
6	24-bit batteryless multiturn absolute encoder	16,777,216
7	24-bit multiturn absolute encoder	16,777,216
F	24-bit incremental encoder	16,777,216

SGM7E, SGM7F - □□□□□□

Code	Specification	Encoder Resolution
7	24-bit multiturn absolute encoder	16,777,216
F	24-bit incremental encoder	16,777,216

SGMCS - □□□□□□

Code	Specification	Encoder Resolution
3	20-bit single-turn absolute encoder	1,048,576
D	20-bit incremental encoder	1,048,576

SGMCV - □□□□□□

Code	Specification	Encoder Resolution
E	22-bit single-turn absolute encoder	4,194,304
I	22-bit multiturn absolute encoder	4,194,304

◆ Linear Servomotors

You can calculate the settings for the electronic gear ratio with the following equation:

When Not Using a Serial Converter Unit

Use the following formula if the linear encoder and SERVOPACK are connected directly or if a linear encoder that does not require a Serial Converter Unit is used.

$$\text{Electronic gear ratio } \frac{B}{A} = \frac{Pn20E}{Pn210} = \frac{\text{Travel distance per reference unit (reference units)} \times \text{Linear encoder resolution}}{\text{Linear encoder pitch (the value from the following table)}}$$

When Using a Serial Converter Unit

$$\text{Electronic gear ratio } \frac{B}{A} = \frac{Pn20E}{Pn210} = \frac{\text{Travel distance per reference unit (reference units)} \times \text{Resolution of the Serial Converter Unit}}{\text{Linear encoder pitch (setting of Pn282)}}$$

■ Feedback Resolution of Linear Encoder

The linear encoder pitches and resolutions are given in the following table.

Calculate the electronic gear ratio using the values in the following table.

Type of Linear Encoder	Manufacturer	Linear Encoder Model	Linear Encoder Pitch [μm] ^{*1}	Model of Serial Converter Unit or Model of Head with Interpolator	Resolution	Resolution
Incremental	Heidenhain Corporation	LIDA48□	20	JZDP-H003-□□□-E ^{*1}	256	0.078 μm
				JZDP-J003-□□□-E ^{*1}	4,096	0.0049 μm
		LIF48□	4	JZDP-H003-□□□-E ^{*1}	256	0.016 μm
				JZDP-J003-□□□-E ^{*1}	4,096	0.00098 μm
	Renishaw PLC	RGH22B	20	JZDP-H005-□□□-E ^{*1}	256	0.078 μm
				JZDP-J005-□□□-E ^{*1}	4,096	0.0049 μm
	Magnescale Co., Ltd.	SR75-□□□□□LF ^{*4}	80	–	8,192	0.0098 μm
				–	1,024	0.078 μm
				–	8,192	0.0098 μm
				–	1,024	0.078 μm
		SL700 ^{*4} , SL710 ^{*4} , SL720 ^{*4} , SL730 ^{*4}	800	PL101-RY ^{*2}	8,192	0.0977 μm
				MJ620-T13 ^{*3}		
SQ10	400	MQ10-FLA ^{*3}	8,192	0.0488 μm		
		MQ10-GLA ^{*3}				
Absolute	Heidenhain Corporation	LIC4100 Series	20.48	EIB3391Y ^{*3}	4,096	0.005 μm
		LC115	40.96	EIB3381Y ^{*3}	4,096	0.01 μm
	Mitutoyo Corporation	ST781A/ST781AL	256	–	512	0.5 μm
		ST782A/ST782AL	256	–	512	0.5 μm
		ST783/ST783AL	51.2	–	512	0.1 μm
		ST784/ST784AL	51.2	–	512	0.1 μm
		ST788A/ST788AL	51.2	–	512	0.1 μm
		ST789A/ST789AL	25.6	–	512	0.05 μm
		ST1381	5.12	–	512	0.01 μm
	ST1382	0.512	–	512	0.001 μm	
	Magnescale Co., Ltd.	SR77-□□□□□LF ^{*4}	80	–	8,192	0.0098 μm
		SR77-□□□□□MF	80	–	1,024	0.078 μm
		SR87-□□□□□LF ^{*4}	80	–	8,192	0.0098 μm
		SR87-□□□□□MF	80	–	1,024	0.078 μm


*1. These are reference values for setting SERVOPACK parameters. Contact the manufacturer for actual linear encoder scale pitches.

*2. This is the model of the Serial Converter Unit.

*3. This is the model of the Head with Interpolator.

*4. This is the model of the Interpolator.

*5. If you use an encoder pulse output with this linear encoder, the setting range of the encoder output resolution (Pn281) is restricted. Refer to the following section for details on the encoder output resolution (Pn281).

 6.5.2 Setting for the Encoder Divided Pulse Output on page 6-14

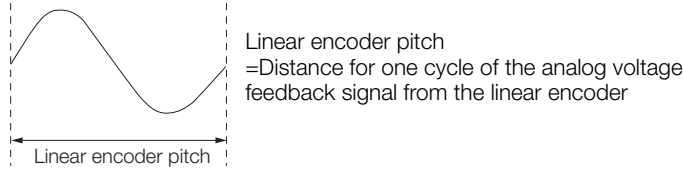
Information

Resolution

You can calculate the resolution that is used inside the SERVOPACK (i.e., the travel distance per feedback pulse) with the following formula.

$$\text{Resolution (travel distance per feedback pulse)} = \frac{\text{Linear encoder pitch}}{\text{Resolution of Serial Converter Unit or linear encoder}}$$

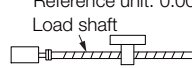
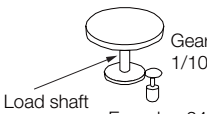
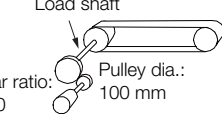
The SERVOPACK uses feedback pulses as the unit to control a Servomotor.



5.14.2 Electronic Gear Ratio Setting Examples

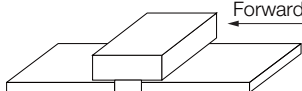
Setting examples are provided in this section.

- Rotary Servomotors

Step	Description	Machine Configuration		
		Ball Screw	Rotary Table	Belt and Pulley
		Reference unit: 0.001 mm Load shaft  Encoder: 24 bits Ball screw lead: 6 mm	Reference unit: 0.01°  Gear ratio: 1/100 Load shaft Encoder: 24 bits	Reference unit: 0.005 mm Load shaft  Gear ratio: 1/50 Pulley dia.: 100 mm Encoder: 24 bits
1	Machine Specifications	<ul style="list-style-type: none"> • Ball screw lead: 6 mm • Gear ratio: 1/1 	<ul style="list-style-type: none"> • Rotation angle per revolution: 360° • Gear ratio: 1/100 	<ul style="list-style-type: none"> • Pulley dia.: 100 mm (Pulley circumference: 314 mm) • Gear ratio: 1/50
2	Encoder Resolution	16,777,216 (24 bits)	16,777,216 (24 bits)	16,777,216 (24 bits)
3	Reference Unit	0.001 mm (1 μm)	0.01°	0.005 mm (5 μm)
4	Travel Distance per Load Shaft Revolution (Reference Units)	6 mm/0.001 mm = 6,000	360°/0.01° = 36,000	314 mm/0.005 mm = 62,800
5	Electronic Gear Ratio	$\frac{B}{A} = \frac{16,777,216}{6,000} \times \frac{1}{1}$	$\frac{B}{A} = \frac{16,777,216}{36,000} \times \frac{100}{1}$	$\frac{B}{A} = \frac{16,777,216}{62,800} \times \frac{50}{1}$
6	Parameters	Pn20E: 16,777,216	Pn20E: 167,772,160	Pn20E: 838,860,800
		Pn210: 6,000	Pn210: 3,600	Pn210: 62,800

- Linear Servomotors

A setting example for a Serial Converter Unit resolution of 256 is given below.

Step	Description	Machine Configuration
		Reference unit: 0.02 mm (20 μm)  Forward direction
1	Linear encoder pitch	0.02 mm (20 μm)
2	Reference Unit	0.001 mm (1 μm)
3	Electronic Gear Ratio	$\frac{B}{A} = \frac{1 (\mu\text{m})}{20 (\mu\text{m})} \times 256$
4	Setting Parameters	Pn20E: 256
		Pn210: 20

5.15 Resetting the Absolute Encoder

In a system that uses an absolute encoder, the multiturn data must be reset at startup. An alarm related to the absolute encoder (A.810 or A.820) will occur when the absolute encoder must be reset, such as when the power supply is turned ON.

When you reset the absolute encoder, the multiturn data is reset and any alarms related to the absolute encoder are cleared.

Reset the absolute encoder in the following cases.

- When an A.810 alarm (Encoder Backup Alarm) occurs
- When an A.820 alarm (Encoder Checksum Alarm) occurs
- When starting the system for the first time
- When you want to reset the multiturn data in the absolute encoder
- When the Servomotor has been replaced

CAUTION

- The multiturn data will be reset to a value between -2 and +2 rotations when the absolute encoder is reset. The reference position of the machine system will change. Adjust the reference position in the host controller to the position that results from resetting the absolute encoder.
If the machine is started without adjusting the position in the host controller, unexpected operation may cause personal injury or damage to the machine.

Information

1. The multiturn data will always be zero in the following cases. It is never necessary to reset the absolute encoder in these cases. An alarm related to the absolute encoder (A.810 or A.820) will not occur.
 - When you use a single-turn absolute encoder
 - When the encoder is set to be used as a single-turn absolute encoder (Pn002 = n.□□2□□)
2. If a batteryless absolute encoder is used, an A.810 alarm (Encoder Backup Alarm) will occur the first time the power is turned ON. After you reset the absolute encoder, the A.810 alarm will no longer occur.

5.15.1 Precautions on Resetting

- You cannot use the Alarm Clear command from the SERVOPACK to clear the A.810 alarm (Encoder Backup Alarm) or the A.820 alarm (Encoder Checksum Alarm). Always use the operation to reset the absolute encoder to clear these alarms.
- If an A.8□□ alarm (Internal Encoder Monitoring Alarm) occurs, turn OFF the power supply to reset the alarm.
- Confirm that setup (initialization) is not in progress from any other tool.

5.15.2 Preparations

Always check the following before you reset an absolute encoder.

- The parameters must not be write prohibited.
- The servo must be OFF.

5.15.3 Applicable Tools

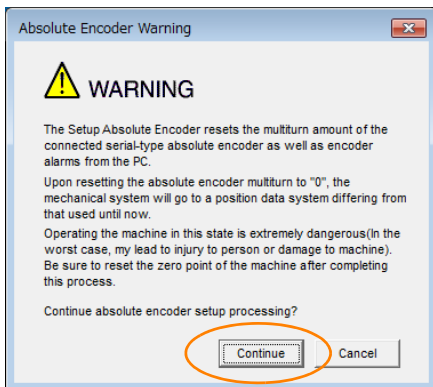
The following table lists the tools that you can use to reset the absolute encoder and the applicable tool functions.

Tool	Function	Reference
Digital Operator	Fn008	Σ-7-Series Digital Operator Operating Manual (Manual No.: SIEP S800001 33)
SigmaWin+	Setup - Absolute Encoder Reset	5.15.4 Operating Procedure on page 5-46
DeviceNet communications	PnBA7 (object number 0x64, attribute number 253)	Resetting the Absolute Encoder on page 12-17

5.15.4 Operating Procedure

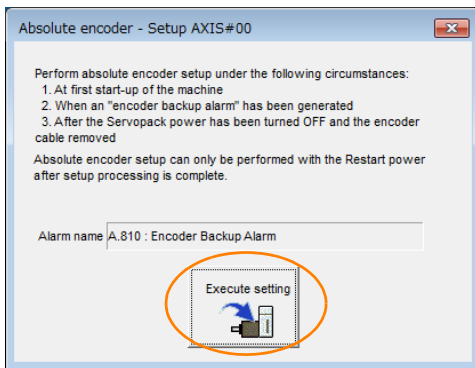
Use the following procedure to reset the absolute encoder.

1. Confirm that the servo is OFF.
2. Click the Servo Drive Button in the workspace of the Main Window of the SigmaWin+.
3. Select **Absolute Encoder Reset** in the Menu Dialog Box.
The Absolute Encoder Reset Dialog Box will be displayed.
4. Click the **Continue** Button.



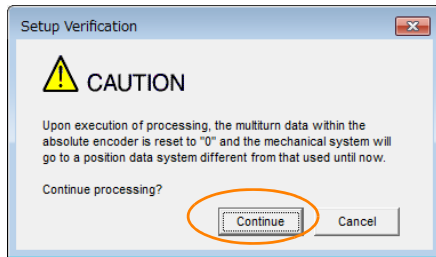
Click the **Cancel** Button to cancel resetting the absolute encoder. The Main Window will return.

5. Click the **Execute setting** Button.



The current alarm code and name will be displayed in the **Alarm name** Box.

6. Click the **Continue** Button.



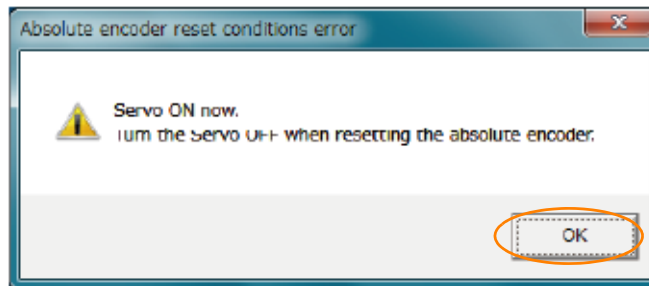
Click the **Cancel** Button to cancel resetting the absolute encoder. The previous dialog box will return.

7. Click the **OK** Button.

The absolute encoder will be reset.

When Resetting Fails

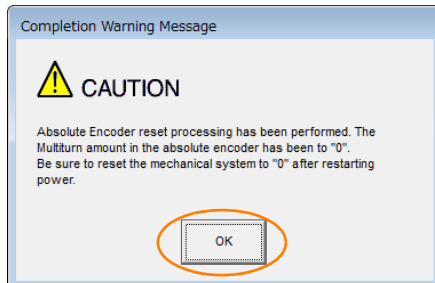
If you attempted to reset the absolute encoder when the servo was ON in the SERVOPACK, the following dialog box will be displayed and processing will be canceled.



Click the **OK** Button. The Main Window will return. Turn OFF the servo and repeat the procedure from step 1.

When Resetting Is Successful

The following dialog box will be displayed when the absolute encoder has been reset.



The Main Window will return.

8. To enable the change to the settings, turn the power supply to the SERVOPACK OFF and ON again.

This concludes the procedure to reset the absolute encoder.

5.16 Setting the Origin of the Absolute Encoder

5.16.1 Absolute Encoder Origin Offset


Refer to the following section for details.

 *Origin Offset* on page 12-4

5.16.2 Setting the Origin of the Absolute Linear Encoder

You can set any position as the origin in the following Linear Encoders.

- Mitutoyo Corporation
ABS ST780A Series or ST1300 Series
Models: ABS ST78□A/ST78□AL/ST13□□
- Renishaw PLC
EVOLUTE Series
Models: EL36Y-□□□□□□□□



Important

1. After you set the origin, the /S-RDY (Servo Ready) signal will become inactive because the system position data was changed. Always turn the SERVOPACK power supply OFF and ON again.
2. After you set the origin, the Servomotor phase data in the SERVOPACK will be discarded. If you are using a Linear Servomotor without a Polarity Sensor, execute polarity detection again to save the Servomotor phase data in the SERVOPACK.



Preparations

Always check the following before you set the origin of an absolute encoder.

- The parameters must not be write prohibited.
- The servo must be OFF.


Applicable Tools

The following table lists the tools that you can use to set the origin of the absolute linear encoder and the applicable tool functions.

Tool	Function	Reference
Digital Operator	Fn020	 Σ -7-Series Digital Operator Operating Manual (Manual No.: SIEP S80001 33)
SigmaWin+	Setup - Set Origin	 <i>Operating Procedure</i> on page 5-49

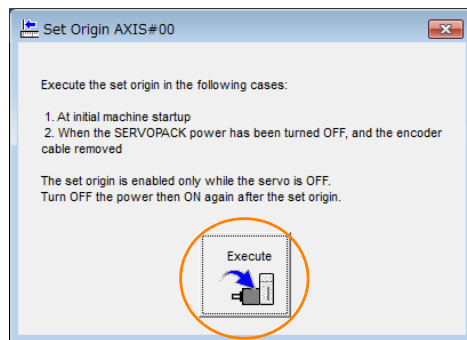
Operating Procedure

Use the following procedure to set the origin of an absolute linear encoder.

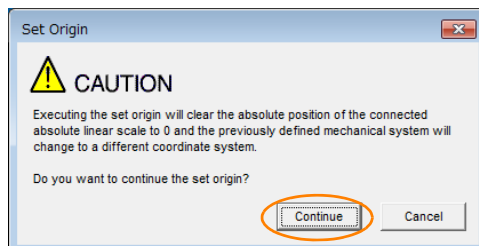
1. Click the  Servo Drive Button in the workspace of the Main Window of the SigmaWin+.
2. Select **Set Origin** in the Menu Dialog Box.
The Set Origin Dialog Box will be displayed.
3. Click the **Continue** Button.



4. Click the **Execute** Button.

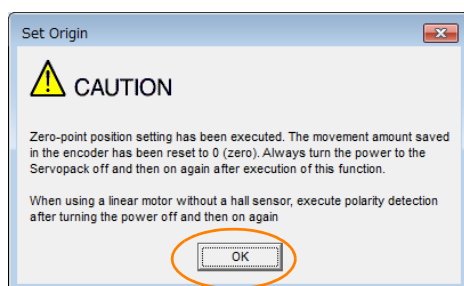


5. Click the **Continue** Button.



Click the **Cancel** Button to cancel setting the origin of the absolute linear encoder. The previous dialog box will return.


6. Click the **OK** Button.



7. Turn the power supply to the SERVOPACK OFF and ON again.

8. If you use a Linear Servomotor that does not have a polarity sensor, perform polarity detection.

Refer to the following section for details on the polarity detection.

 [5.9 Polarity Detection](#) on page 5-25

This concludes the procedure to set the origin of the absolute linear encoder.

5.17 Setting the Regenerative Resistor Capacity

The regenerative resistor consumes regenerative energy that is generated by the Servomotor, e.g., when the Servomotor decelerates.

If an External Regenerative Resistor is connected, you must set Pn600 (Regenerative Resistor Capacity) and Pn603 (Regenerative Resistor Resistance).

WARNING

- If you connect an External Regenerative Resistor, set Pn600 and Pn603 to suitable values. If a suitable value is not set, A.320 alarms (Regenerative Overload) will not be detected correctly, and the External Regenerative Resistor may be damaged or personal injury or fire may result.
- When you select an External Regenerative Resistor, make sure that it has a suitable capacity. There is a risk of personal injury or fire.

Pn600	Regenerative Resistor Capacity				
	Setting Range	Setting Unit	Default Setting	When Enabled	Classification
	0 to SERVOPACK's maximum applicable motor capacity	10 W	0	Immediately	Setup
Pn603	Regenerative Resistor Resistance				
	Setting Range	Setting Unit	Default Setting	When Enabled	Classification
	0 to 65,535	10 mΩ	0	Immediately	Setup

Set the regenerative resistor capacity to a value that is consistent with the allowable capacity of the External Regenerative Resistor. The setting depends on the cooling conditions of the External Regenerative Resistor.

- For self-cooling (natural convection cooling): Set the parameter to a maximum 20% of the capacity (W) of the actually installed regenerative resistor.
- For forced-air cooling: Set the parameter to a maximum 50% of the capacity (W) of the actually installed regenerative resistor.

Example For a self-cooling 100-W External Regenerative Resistor, set Pn600 to 2 (×10 W) (100 W × 20% = 20 W).

Note: 1. An A.320 alarm will be displayed if the setting is not suitable.

2. The default setting of 0 specifies that the SERVOPACK's built-in regenerative resistor or Yaskawa's Regenerative Resistor Unit is being used.



Important

1. When an External Regenerative Resistor is used at the normal rated load ratio, the resistor temperature increases to between 200°C and 300°C. Always apply derating. Consult the manufacturer for the resistor's load characteristics.
2. For safety, use an External Regenerative Resistor with a thermoswitch.

Application Functions

6

This chapter describes the application functions that you can set before you start servo system operation. It also describes the setting methods.


6.1	I/O Signal Descriptions	6-3
6.1.1	Input Signals	6-3
6.1.2	Output Signals	6-3
6.2	Operation for Momentary Power Interruptions . .	6-5
6.3	SEMI F47 Function	6-6
6.4	Setting the Motor Maximum Speed	6-8
6.5	Encoder Divided Pulse Output	6-9
6.5.1	Encoder Divided Pulse Output Signals	6-9
6.5.2	Setting for the Encoder Divided Pulse Output . .	6-14
6.6	Software Limits	6-16
6.6.1	Setting to Enable/Disable Software Limits	6-16
6.6.2	Setting the Software Limit Action	6-16
6.6.3	Setting the Software Limits	6-16
6.7	Internal Torque Limits	6-17
6.8	Absolute Encoders	6-18
6.8.1	Connecting an Absolute Encoder	6-19
6.8.2	Multiturn Limit Setting	6-19
6.8.3	Multiturn Limit Disagreement Alarm (A.CC0) . .	6-20

6.9	Absolute Linear Encoders	6-23
6.9.1	Connecting an Absolute Linear Encoder	6-23
6.10	Software Reset	6-24
6.10.1	Preparations	6-24
6.10.2	Applicable Tools	6-24
6.10.3	Operating Procedure	6-24
6.11	Initializing the Vibration Detection Level . .	6-26
6.11.1	Preparations	6-26
6.11.2	Applicable Tools	6-27
6.11.3	Operating Procedure	6-27
6.11.4	Related Parameters	6-29
6.12	Adjusting the Motor Current Detection Signal Offset . . .	6-30
6.12.1	Automatic Adjustment	6-30
6.12.2	Manual Adjustment	6-32
6.13	External Stop Function	6-34
6.13.1	EXSTOP (External Stop Input) Signal	6-34
6.13.2	Enabling/Disabling the External Stop Input Signal	6-34
6.13.3	Setting the Polarity of the External Stop Input Signal	6-34
6.14	Overheat Protection	6-35
6.14.1	Connecting the Overheat Protection Input (TH) Signal	6-35
6.14.2	Overheat Protection Selection	6-35

6.1 I/O Signal Descriptions

This section describes the I/O signals.


You can confirm the status of I/O signals on the I/O signal monitor. Refer to the following section for information on the I/O signal monitor.

 9.2.3 I/O Signal Monitor on page 9-6

6.1.1 Input Signals


CCW-OT (CCW Drive Prohibit Input) Signal and CW-OT (CW Drive Prohibit) Signal

Refer to the following section for details.

 5.10.1 Overtravel Signals on page 5-28

/HOME (Origin Signal Input) Signal

Refer to the following section for details.

 12.2.2 Parameter Settings on page 12-3

EXSTOP (External Stop Input) Signal

Refer to the following section for details.

 6.13 External Stop Function on page 6-34

6.1.2 Output Signals

ALM (Servo Alarm) Signal

This signal is output when the SERVOPACK detects an error.




Important

Configure an external circuit so that this alarm output turns OFF the main circuit power supply to the SERVOPACK whenever an error occurs.

Type	Signal	Connector Pin No.	Signal Status	Meaning
Output	ALM	CN1-3 and CN1-4	ON (closed)	Normal SERVOPACK status
			OFF (open)	SERVOPACK alarm

◆ Alarm Reset Methods

Refer to the following section for information on the alarm reset methods.

 14.2.3 Resetting Alarms on page 14-43


/WARN (Warning) Signal

Both alarms and warnings are generated by the SERVOPACK. Alarms indicate errors in the SERVOPACK for which operation must be stopped immediately. Warnings indicate situations that may result in alarms but for which stopping operation is not yet necessary.

Type	Signal	Connector Pin No.	Signal Status	Meaning
Output	/WARN	CN1-23 and CN1-24	ON (closed)	Warning
			OFF (open)	Normal status

/BK (Brake) Signal

Refer to the following section for details.

 5.11.2 /BK (Brake) Signal on page 5-31

/S-RDY (Servo Ready) Signal


The /S-RDY (Servo Ready) signal turns ON when the SERVOPACK is ready to accept the Servo ON (Enable = 1) command.

The /S-RDY signal is turned ON under the following conditions.


- Main circuit power supply is ON.
- There is no hard wire base block state.
- There are no alarms.
- If a Servomotor without a polarity sensor is used, polarity detection has been completed.

Type	Signal	Connector Pin No.	Signal Status	Meaning
Output	/S-RDY	CN1-25 and CN1-26	ON (closed)	Servo ON command can be accepted.
			OFF (open)	Servo ON command cannot be accepted.

Note: 1. Refer to the following section for information on the hard wire base block and the /S-RDY signal.

 11.2.7 Servo Ready on page 11-7

2. Refer to the following section for information on polarity detection.

 5.9 Polarity Detection on page 5-25

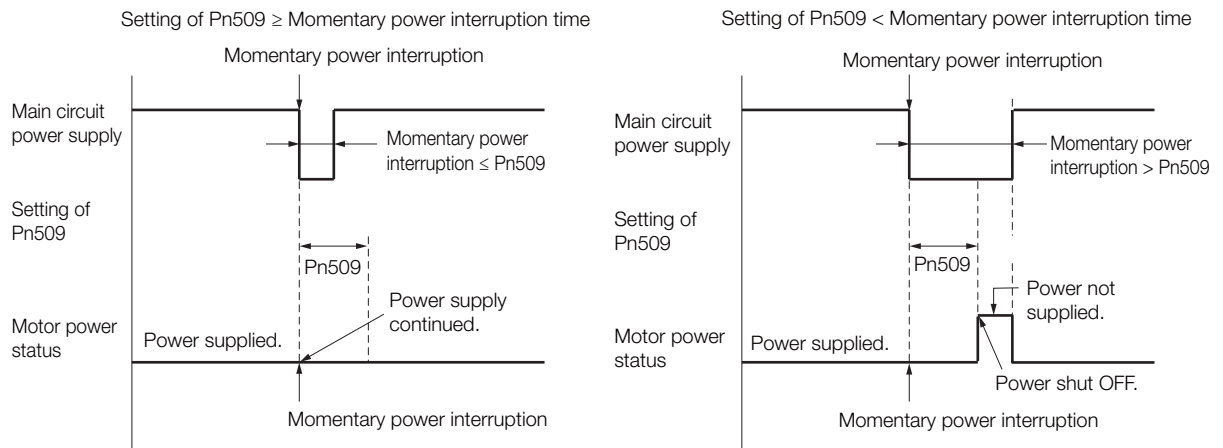
6.2

Operation for Momentary Power Interruptions

Even if the main power supply to the SERVOPACK is interrupted momentarily, power supply to the motor (servo ON status) will be maintained for the time set in Pn509 (Momentary Power Interruption Hold Time).

Pn509	Momentary Power Interruption Hold Time				
	Setting Range	Setting Unit	Default Setting	When Enabled	Classification
	20 to 50,000	1 ms	20	Immediately	Setup

If the momentary power interruption time is equal to or less than the setting of Pn509, power supply to the motor will be continued. If it is longer than the setting, power supply to the motor will be stopped. Power will be supplied to the motor again when the main circuit power supply recovers.



Information

1. If the momentary power interruption time exceeds the setting of Pn509, the Servo Ready bit will change to 0 and the servo will be turned OFF.
2. If uninterruptible power supplies are used for the control power supply and main circuit power supply, the SERVOPACK can withstand a power interruption that lasts longer than 50,000 ms.
3. The holding time of the SERVOPACK control power supply is approximately 100 ms. If control operations become impossible during a momentary power interruption of the control power supply, the setting of Pn509 will be ignored and the same operation will be performed as for when the power supply is turned OFF normally.



The holding time of the main circuit power supply depends on the output from the SERVOPACK. If the load on the Servomotor is large and an A.410 alarm (Undervoltage) occurs, the setting of Pn509 will be ignored.

6.3 SEMI F47 Function

The SEMI F47 function detects an A.971 warning (Undervoltage) and limits the output current if the DC main circuit power supply voltage to the SERVOPACK drops to a specified value or lower because the power was momentarily interrupted or the main circuit power supply voltage was temporarily reduced.

This function complies with the SEMI F47 standards for semiconductor manufacturing equipment.

You can combine this function with the momentary power interruption hold time (Pn509) to allow the Servomotor to continue operating without stopping for an alarm or without recovery work even if the power supply voltage drops.

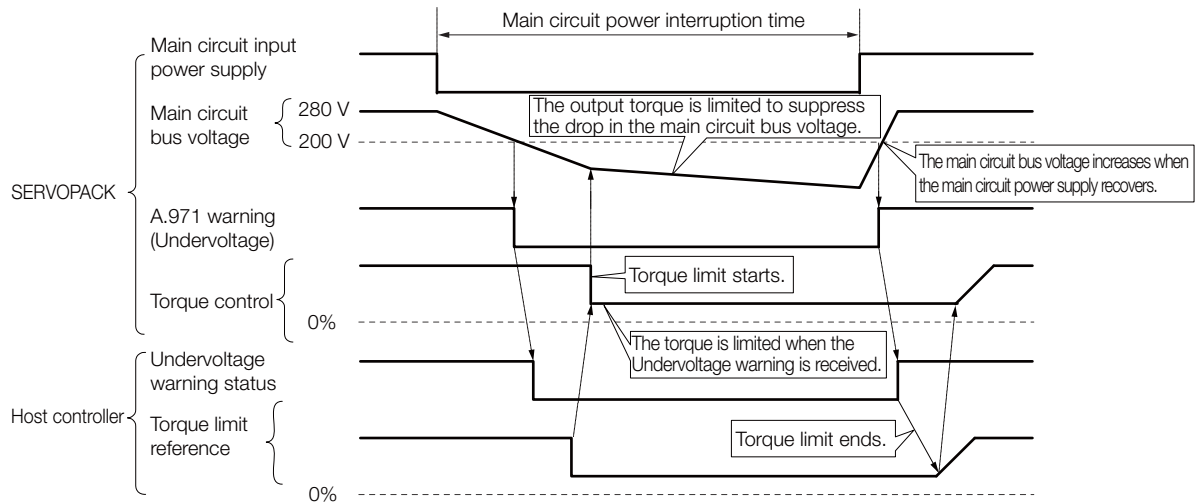
Execution Sequence

This function can be executed either with the host controller or with the SERVOPACK. Use Pn008 = n.□□X□ (Function Selection for Undervoltage) to specify whether the function is executed by the host controller or by the SERVOPACK.

◆ Execution with the Host Controller (Pn008 = n.□□1□)

The host controller limits the torque in response to an A.971 warning (Undervoltage).

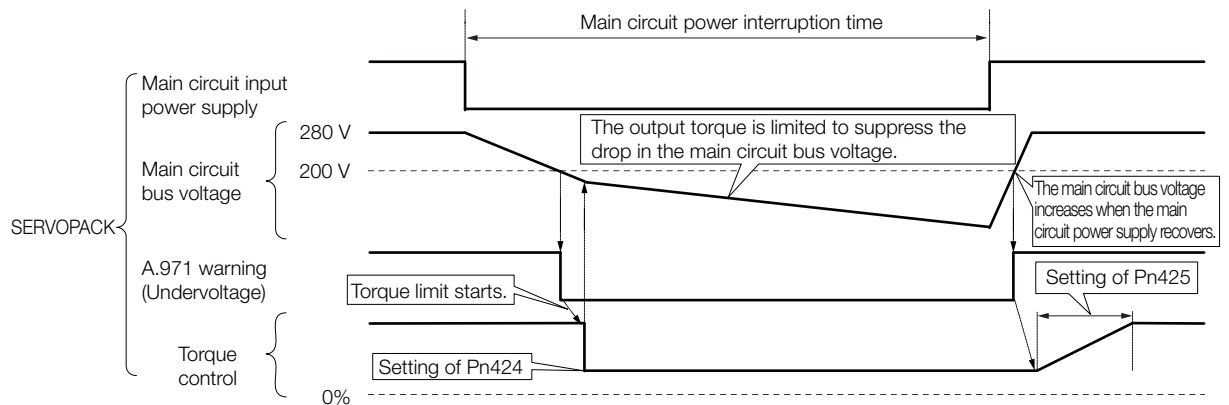
The host controller removes the torque limit after the Undervoltage warning is cleared.



◆ Execution with the SERVOPACK (Pn008 = n.□□2□)

The torque is limited in the SERVOPACK in response to an Undervoltage warning.

The SERVOPACK controls the torque limit for the set time after the Undervoltage warning is cleared.



Setting for A.971 Warnings (Undervoltage)

You can set whether or not to detect A.971 warnings (Undervoltage).

Parameter		Meaning	When Enabled	Classification
Pn008	n.□□0□ (default setting)	Do not detect undervoltage warning.	After restart	Setup
	n.□□1□	Detect undervoltage warning and limit torque at host controller.		
	n.□□2□	Detect undervoltage warning and limit torque with Pn424 and Pn425 (i.e., only in SERVOPACK).		

◆ Related Parameters

The following parameters are related to the SEMI F47 function.

Pn424	Torque Limit at Main Circuit Voltage Drop				
	Setting Range	Setting Unit	Default Setting	When Enabled	Classification
	0 to 100	1%*	50	Immediately	Setup
Pn425	Release Time for Torque Limit at Main Circuit Voltage Drop				
	Setting Range	Setting Unit	Default Setting	When Enabled	Classification
	0 to 1,000	1 ms	100	Immediately	Setup
Pn509	Momentary Power Interruption Hold Time				
	Setting Range	Setting Unit	Default Setting	When Enabled	Classification
	20 to 50,000	1 ms	20	Immediately	Setup

* Set a percentage of the motor rated torque.

Note: If you will use the SEMI F47 function, set the time to 1,000 ms.



Important

- This function handles momentary power interruptions for the voltage and time ranges stipulated in SEMI F47. An uninterruptible power supply (UPS) is required as a backup for momentary power interruptions that exceed these voltage and time ranges.
- Set the host controller or SERVOPACK torque limit so that a torque reference that exceeds the specified acceleration torque will not be output when the power supply for the main circuit is restored.
- For a vertical axis, do not limit the torque to a value that is lower than the holding torque.
- This function limits torque within the range of the SERVOPACK's capability for power interruptions. It is not intended for use under all load and operating conditions. Set the parameters while monitoring operation on the actual machine.
- You can set the momentary power interruption hold time to increase the amount of time from when the power supply is turned OFF until power supply to the motor is stopped. To stop the power supply to the motor immediately, execute the Servo OFF (Enable = 0) command.

6.4 Setting the Motor Maximum Speed

You can set the maximum speed of the Servomotor with the following parameter.

- Rotary Servomotors


Pn316	Maximum Motor Speed				
	Setting Range	Setting Unit	Default Setting	When Enabled	Classification
	0 to 65,535	1 min ⁻¹	10,000	After restart	Setup

- Linear Servomotors




Pn385	Maximum Motor Speed				
	Setting Range	Setting Unit	Default Setting	When Enabled	Classification
	1 to 100	100 mm/s	50	After restart	Setup

You can achieve the following by lowering the maximum speed of the Servomotor.

- If the motor speed exceeds the setting, an A.510 alarm (Overspeed) will occur.
- With a Linear Servomotor, you can increase the upper limit for the setting of Pn281 (Encoder Output Resolution). Refer to the following section for details.

 6.5 Encoder Divided Pulse Output on page 6-9

Changing the setting of the parameter is effective in the following cases.

- To protect the machine by stopping machine operation with an alarm when the set speed is reached or exceeded
- To limit the speed so that the load is not driven beyond the allowable moment of inertia
Refer to relevant manual from the following list for the relationship between the speed and the allowable moment of inertia.
 -  Σ -7-Series Rotary Servomotor Product Manual (Manual No.: SIEP S800001 36)
 -  Σ -7-Series Direct Drive Servomotor Product Manual (Manual No.: SIEP S800001 38)
 -  Σ -7-Series Linear Servomotor Product Manual (Manual No.: SIEP S800001 37)
- To increase the encoder output resolution and increase the position resolution managed by the host controller (for a Linear Servomotor)

6.5 Encoder Divided Pulse Output

The encoder divided pulse output is a signal that is output from the encoder and processed inside the SERVOPACK. It is then output externally in the form of two phase pulse signals (phases A and B) with a 90° phase differential. At the host controller, it can be used as the position feedback.

The following table describes the signals and output phase forms.

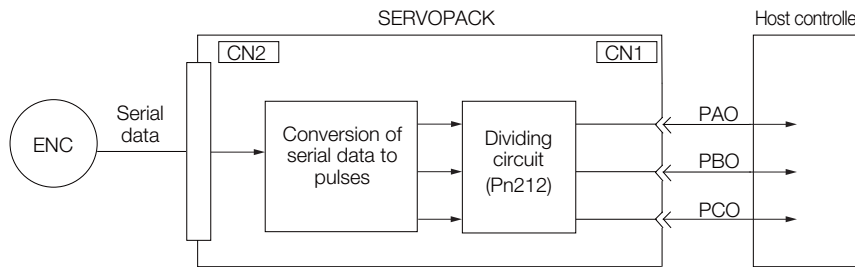
6.5.1 Encoder Divided Pulse Output Signals

Type	Signal	Connector Pin No.	Name	Remarks	
Output	PAO	CN1-17	Encoder Divided Pulse Output, Phase A	<ul style="list-style-type: none"> Rotary Servomotors These encoder divided pulse output pins output the number of pulses per motor resolution that is set in Pn212 (Number of Encoder Output Pulses). The phase difference between phase A and phase B is an electric angle of 90°. Linear Servomotors These encoder divided pulse output pins output pulses at the resolution that is set in Pn281 (Encoder Output Resolution). The phase difference between phase A and phase B is an electric angle of 90°. 	
	/PAO	CN1-18			
	PBO	CN1-19	Encoder Divided Pulse Output, Phase B		
	/PBO	CN1-20			
	PCO	CN1-21	Encoder Divided Pulse Output, Phase C*		These pins output one pulse every motor rotation.
	/PCO	CN1-22			

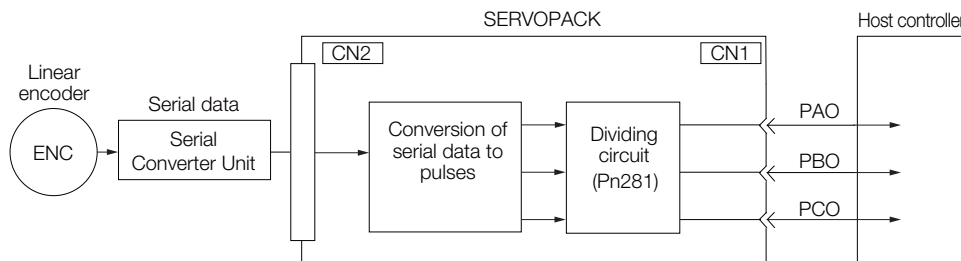
* Refer to the following section for information on the origin within one encoder rotation.

◆ Relation between Renishaw PLC Incremental Linear Encoders and Encoder Output Pulse Signal from the SERVOPACK When Using a RGS20 Scale and RGH22B Sensor Head on page 6-10

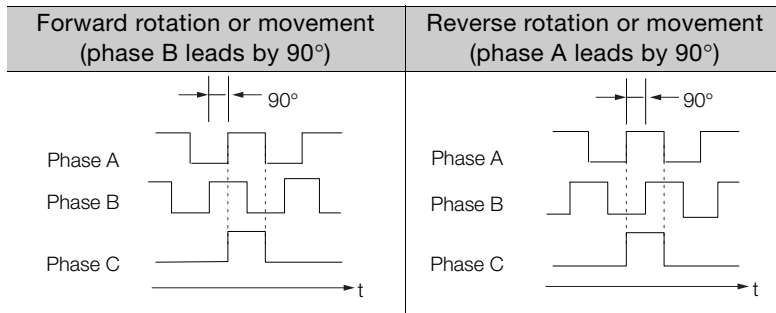
- Rotary Servomotor



- Linear Servomotors



Output Phase Forms



Note: The pulse width of the origin within one encoder rotation depends on the setting of number of encoder output pulses (Pn212) or the encoder output resolution (Pn281). It is the same as the width of phase A. Even for reverse operation (Pn000 = n.□□□1), the output phase form is the same as shown above.

Important If you use the SERVOPACK's phase-C pulse output for an origin return, rotate the Servomotor two or more rotations before you start an origin return. If the Servomotor cannot be rotated two or more times, perform an origin return operation at a motor speed of 600 min⁻¹ or lower. If the motor speed is higher than 600 min⁻¹, the phase-C pulse may not be output correctly.

Linear Encoder Application Precautions

The following precautions apply to the encoder output pulses when an external linear encoder is used.

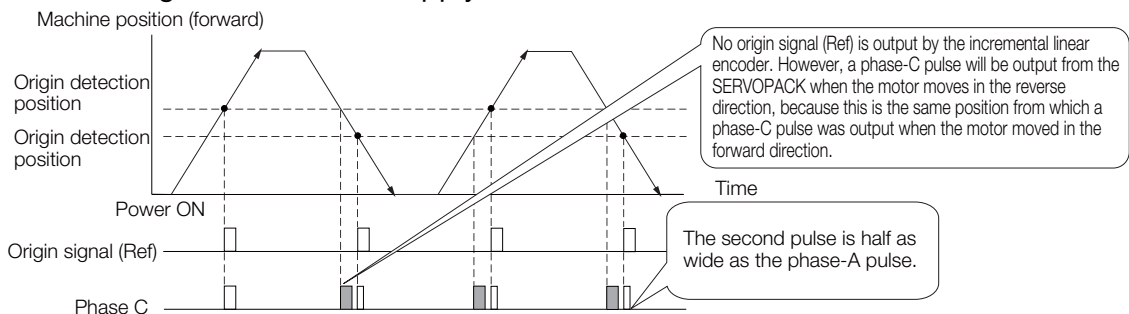
◆ Relation between Renishaw PLC Incremental Linear Encoders and Encoder Output Pulse Signal from the SERVOPACK When Using a RGS20 Scale and RGH22B Sensor Head

The output position of the origin signal (Ref) will depend on the direction of movement for some models of incremental linear encoders from Renishaw PLC.

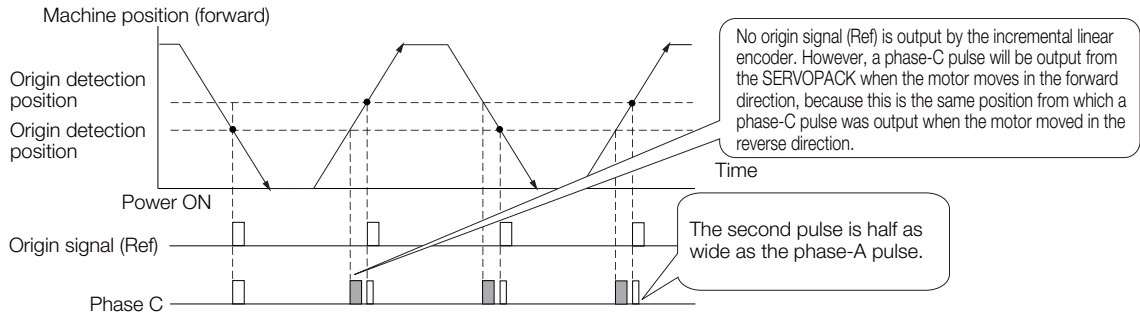
In that case, the phase-C pulse of the SERVOPACK is output at two positions.

For detailed specifications on the origin signal, refer to the manual for the Renishaw PLC incremental linear encoder.

■ When Passing the First Origin Signal (Ref) in the Forward Direction and Returning after Turning ON the Power Supply



■ When Passing the First Origin Signal (Ref) in the Reverse Direction and Returning after Turning ON the Power Supply



◆ Precautions When Using a Linear Incremental Encoder from Magnescale Co., Ltd.

■ Encoder Divided Phase-C Pulse Output Selection

You can also output the encoder's phase-C pulse for reverse movement. To do so, set Pn081 to n.□□□1.

Parameter	Meaning	When Enabled	Classification
Pn081	n.□□□0 (default setting)	After restart	Setup
	n.□□□1		

Important **Precautions on Setting the Phase-C Pulse Output Selection (Pn081 = n.□□□X)**

- If you set Pn081 to n.□□□1 (Output phase-C pulses in both the forward and reverse directions), the width of the phase-C pulse output may be narrower than the width of the phase-A pulse.
- There is a difference of 1/8th of the scale pitch in the phase-C detection position for the encoder's phase-C pulse output position or origin return command between when Pn081 = n.□□□X is set to 0 (Output phase-C pulses only in the forward direction) and when it is set to 1 (Output phase-C pulses in both the forward and reverse directions).

Observe the following precaution if you set Pn081 to n.□□□0 (Output phase-C pulses only in the forward direction).

When a linear incremental encoder from Magnescale Co., Ltd. is used, the count direction of the encoder determines how the phase-C pulse (CN1-21 and CN1-22) is output.

Note: The count direction (up or down) of the linear encoder determines whether a phase-C pulse is output. The output of the pulse does not depend on the setting of the movement direction (Pn000 = n.□□□1).

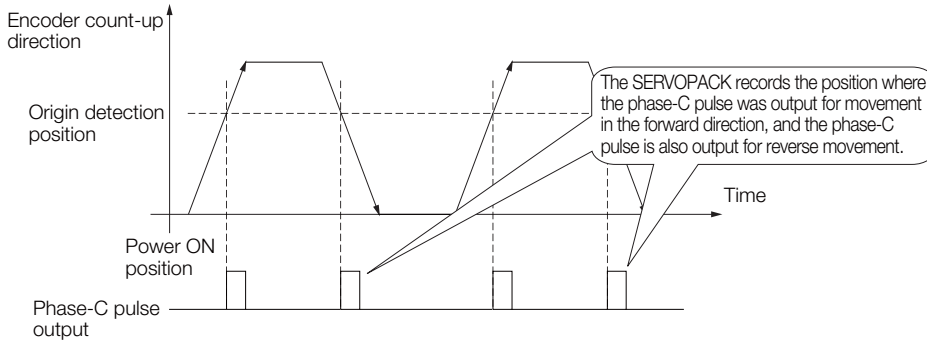
Encoder Model	Interpolator	Linear Encoder Pitch [μm]
SL710	PL101-RY MJ620-T13	800
SL720		800
SL730		800
	SR75	80
	SR85	80

Encoder Model	Interpolator	Linear Encoder Pitch [μm]
SQ10	MQ10-FLA	400
	MQ10-GLA	

■ When First Passing the Origin Signal in the Forward Direction and Returning after Turning ON the Power Supply

The encoder's phase-C pulse (CN1-21 and CN1-22) is output when the origin detection position is passed for the first time in the forward direction after the power supply is turned ON.

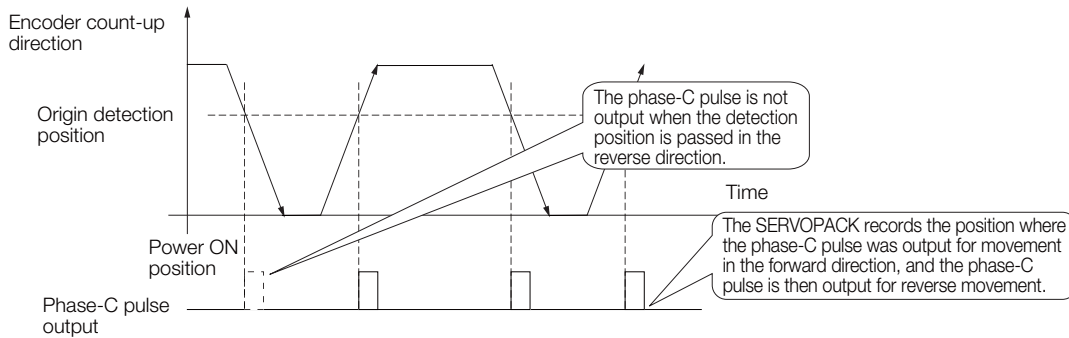
After that, the phase-C pulse is output whenever the origin detection position is passed in the forward or reverse direction.



■ When First Passing the Origin Signal in the Reverse Direction and Returning after Turning ON the Power Supply

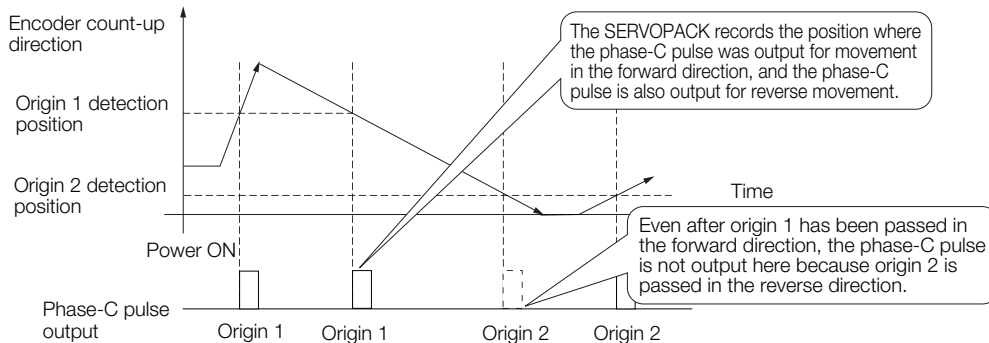
The encoder's phase-C pulse (CN1-19 and CN1-20) is not output when the origin detection position is passed for the first time in the reverse direction after the power supply is turned ON.

However, after the origin detection position is passed in the forward direction and the encoder's phase-C pulse is output, it will then also be output when the origin detection point is passed in the reverse direction.



■ When Using a Linear Encoder with Multiple Origins and First Passing the Origin Position in the Forward Direction and Returning after Turning ON the Power Supply

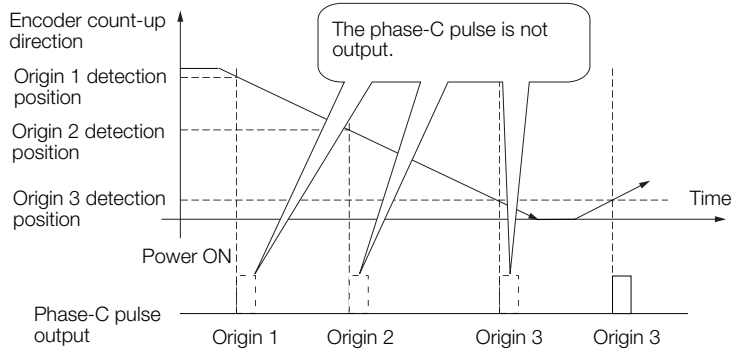
The encoder's phase-C pulse is output when the origin detection position is passed for the first time in the forward direction after the power supply is turned ON. After that, the phase-C pulse is output whenever the origin detection position is passed in the forward or reverse direction.



■ **When Using a Linear Encoder with Multiple Origins and First Passing the Origin Position in the Reverse Direction after Turning ON the Power Supply**

The encoder's phase-C pulse is not output when the origin detection position is passed for the first time in the reverse direction after the power supply is turned ON.

However, after the origin detection position is passed in the forward direction and the encoder's phase-C pulse is output, it will then also be output when the origin detection point is passed in the reverse direction.



6.5.2 Setting for the Encoder Divided Pulse Output

This section describes the setting for the encoder divided pulse output for a Rotary Servomotor or Linear Servomotor.

Encoder Divided Pulse Output When Using a Rotary Servomotor

If you will use a Rotary Servomotor, set the number of encoder output pulses (Pn212).

Pn212	Number of Encoder Output Pulses				
	Setting Range	Setting Unit	Default Setting	When Enabled	Classification
	16 to 1,073,741,824	1 P/Rev	2,048	After restart	Setup

The number of pulses from the encoder per rotation are processed inside the SERVOPACK, divided by the setting of Pn212, and then output.

Set the number of encoder divided output pulses according to the system specifications of the machine or host controller.

The setting of the number of encoder output pulses is limited by the resolution of the encoder.

Setting of the Number of Encoder Output Pulses [P/Rev]	Setting Increment	Encoder Resolution			Upper Limit of Servomotor Speed for Set Number of Encoder Output Pulses [min ⁻¹]
		20 bits (1,048,576 pulses)	22 bits (4,194,304 pulses)	24 bits (16,777,216 pulses)	
16 to 16,384	1	○	○	○	6,000
16,386 to 32,768	2	○	○	○	3,000
32,772 to 65,536	4	○	○	○	1,500
65,544 to 131,072	8	○	○	○	750
131,088 to 262,144	16	○	○	○	375
262,176 to 524,288	32	–	○	○	187
524,352 to 1,048,576	64	–	○	○	93
1,048,704 to 2,097,152	128	–	–	○	46
2,097,408 to 4,194,304	256	–	–	○	23

Note: 1. The setting range of the number of encoder output pulses (Pn212) depends on the resolution of the Servomotor encoder. An A.041 alarm (Encoder Output Pulse Setting Error) will occur if the above setting conditions are not met.

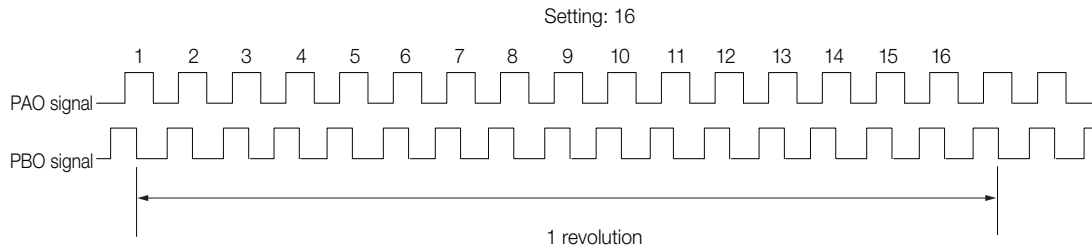
Correct setting example: Pn212 can be set to 25,000 [P/Rev].

Incorrect setting example: Pn212 cannot be set to 25,001 (P/Rev) because the setting increment in the above table is not used.

2. The upper limit of the pulse frequency is approximately 1.6 Mpps. The Servomotor speed will be limited if the setting of the number of encoder output pulses is too high.

An A.511 alarm (Encoder Output Pulse Overspeed) will occur if the upper limit of the motor speed is exceeded.

Output example: An output example is given below for the PAO (Encoder Pulse Output Phase A) signal and the PBO (Encoder Pulse Output Phase B) signal when Pn212 is set to 16 (16 pulses output per revolution).



Encoder Divided Pulse Output When Using a Linear Servomotor

If you will use a Linear Servomotor, set the encoder output resolution (Pn281).

Pn281	Encoder Output Resolution				
	Setting Range	Setting Unit	Default Setting	When Enabled	Classification
	1 to 4,096	1 edge/pitch	20	After restart	Setup

Note: The maximum setting for the encoder output resolution is 4,096. Pulse output at a linear encoder resolution of 4,096 or higher is not possible.

Set the encoder output resolution for the encoder pulse output signals (PAO, /PAO, PBO, and /PBO) from the SERVOPACK to the host controller.

The number of feedback pulses per linear encoder pitch is divided by the setting of Pn281 (after multiplication by 4) inside the SERVOPACK and then the resulting number of pulses is output. Set the parameter according to the system specifications of the machine or host controller.

The setting range depends on the Servomotor's maximum speed (Pn385) and the linear scale pitch (Pn282).* You can calculate the upper limit of the setting of Pn281 with the following formula.

$$\text{Upper limit of Pn281} = \frac{\text{Linear Encoder Pitch} \times 100}{\text{Pn385}} \times 72$$

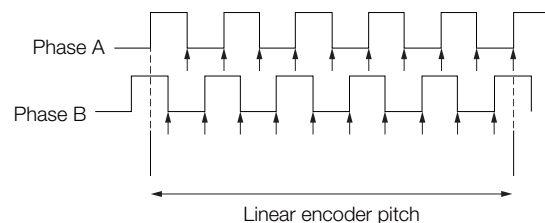
* The value depends on whether a Serial Converter Unit is used.

Using a Serial Converter Unit	Setting of Pn282
Not Using a Serial Converter Unit (when the linear encoder and SERVOPACK are connected directly or when a linear encoder that does not require a Serial Converter Unit is used)	The linear encoder pitch is automatically detected by the SERVOPACK, so the setting of Pn282 is ignored. You can use the monitor functions of the SigmaWin+ to check the linear encoder pitch that was automatically detected.

Information When the linear encoder pitch is 4 μm, the maximum motor speed is limited to 1 mm/s because of the maximum response frequency of the Serial Converter Unit. If the setting is out of range or does not satisfy the setting conditions, an A.041 alarm (Encoder Output Pulse Setting Error) will be output. If the motor speed exceeds the upper limit for the set encoder output resolution, an A.511 alarm (Encoder Output Pulse Overspeed) will be output. The upper limit of the encoder output resolution is restricted by the dividing specifications of the Serial Converter Unit.

Example **Setting Example**
 Correct setting for a linear encoder pitch of 20 μm and a maximum motor speed of 5 m/s (Pn385 = 50): Pn281 = 28 (edges/pitch)
 Incorrect setting: Pn281 = 29 (edges/pitch) (An A.041 alarm would be output.)

Example **Pulse Output Example**
 When Pn281 = 20 (20-edge output (5-pulse output) per linear encoder pitch)



6.6 Software Limits

You can set limits in the software for machine movement that do not use the overtravel signals (CCW-OT and CW-OT). If a software limit is exceeded, an emergency stop will be executed in the same way as it is for overtravel.

You must make the following settings to use the software limits.

- You must enable the software limit function.
- You must set the software limits.

6.6.1 Setting to Enable/Disable Software Limits

You can use PnB18 (Software Limit Action Selection) to enable and disable the software limit function.

The software limits are enabled at the following times:

- When an absolute encoder is used
- After completing an origin return when an incremental encoder is used

In all other cases, the software limit function will not operate even if a software limit is exceeded.

Parameter		Meaning
PnB18	b.□□□□ □□□□ □□□□ □□□□	The software limits are disabled. (Default setting)
	b.□□□□ □□□□ □□□□ □□□1	The software limits are enabled.

6.6.2 Setting the Software Limit Action

You can use PnB18 (Software Limit Action Selection) to set the stopping method when a software limit is exceeded.

When a software limit is reached, the target position is automatically replaced with the current position.

Parameter		Meaning
PnB18	b.□□□□ □□□□ □□□□ □0□□	Smooth stop (default setting)
	b.□□□□ □□□□ □□□□ □1□□	Hard stop

6.6.3 Setting the Software Limits

Software limits are set in both the forward and reverse directions.

The reverse software limit must be less than the forward software limit to set a limit in each direction.

PnB16	Forward Software Limit			
	Setting Range	Setting Unit	Default Setting	When Enabled
	-2,147,483,647 to 2,147,483,647	1 reference unit	2,147,483,647	Immediately
PnB17	Reverse Software Limit			
	Setting Range	Setting Unit	Default Setting	When Enabled
	-2,147,483,647 to 2,147,483,647	1 reference unit	-2,147,483,647	Immediately

6.7 Internal Torque Limits

You can limit the torque that is output by the Servomotor.

If you use internal torque limits, the maximum output torque will always be limited to the specified forward torque limit (Pn402) and reverse torque limit (Pn403).

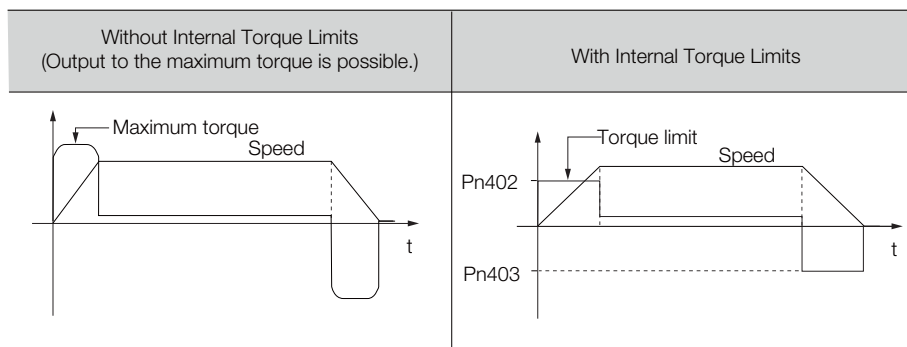
Note: If you set a value that exceeds the maximum torque of the Servomotor, the torque will be limited to the maximum torque of the Servomotor.

• Rotary Servomotors

Pn402	Forward Torque Limit				
	Setting Range	Setting Unit	Default Setting	When Enabled	Classification
	0 to 800	1%*	800	Immediately	Setup
Pn403	Reverse Torque Limit				
	Setting Range	Setting Unit	Default Setting	When Enabled	Classification
	0 to 800	1%*	800	Immediately	Setup

* Set a percentage of the rated motor torque.

Note: If the setting of Pn402 or Pn403 is too low, the torque may be insufficient for acceleration or deceleration of the Servomotor.

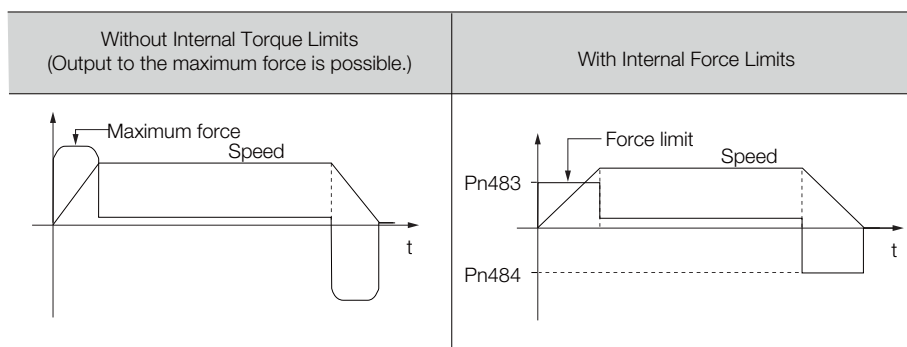


• Linear Servomotors

Pn483	Forward Force Limit				
	Setting Range	Setting Unit	Default Setting	When Enabled	Classification
	0 to 800	1%*	30	Immediately	Setup
Pn484	Reverse Force Limit				
	Setting Range	Setting Unit	Default Setting	When Enabled	Classification
	0 to 800	1%*	30	Immediately	Setup

* Set a percentage of the rated motor force.

Note: If the setting of Pn483 or Pn484 is too low, the force may be insufficient for acceleration or deceleration of the Servomotor.



6.8 Absolute Encoders


The absolute encoder records the current position of the stop position even when the power supply is OFF.

With a system that uses an absolute encoder, the host controller can monitor the current position. Therefore, it is not necessary to perform an origin return operation when the power supply to the system is turned ON.

There are four types of encoders for Rotary Servomotors. The usage of the encoder is specified in Pn002 = □X□□.

SERVOPACKs with software version 0023 or higher support batteryless absolute encoders.

Refer to the following section for encoder models.

 ■ Encoder Resolution on page 5-42

• Parameter Settings When Using an Incremental Encoder

Parameter	Meaning	When Enabled	Classification
Pn002	n.□0□□ (default setting)	Use the encoder as an incremental encoder. A battery is not required.	After restart Setup
	n.□1□□	Use the encoder as an incremental encoder. A battery is not required.	
	n.□2□□	Use the encoder as a single-turn absolute encoder. A battery is not required.	

• Parameter Settings When Using a Single-Turn Absolute Encoder

Parameter	Meaning	When Enabled	Classification
Pn002	n.□0□□ (default setting)	Use the encoder as a single-turn absolute encoder. A battery is not required.	After restart Setup
	n.□1□□	Use the encoder as an incremental encoder. A battery is not required.	
	n.□2□□	Use the encoder as a single-turn absolute encoder. A battery is not required.	

• Parameter Settings When Using a Multiturn Absolute Encoder

Parameter	Meaning	When Enabled	Classification
Pn002	n.□0□□ (default setting)	Use the encoder as a multiturn absolute encoder. A battery is required.	After restart Setup
	n.□1□□	Use the encoder as an incremental encoder. A battery is not required.	
	n.□2□□	Use the encoder as a single-turn absolute encoder. A battery is not required.	

• Parameter Settings When Using a Batteryless Multiturn Absolute Encoder

Parameter	Meaning	When Enabled	Classification
Pn002	n.□0□□ (default setting)	Use the encoder as a batteryless multiturn absolute encoder. A battery is not required.	After restart Setup
	n.□1□□	Use the encoder as an incremental encoder. A battery is not required.	
	n.□2□□	Use the encoder as a single-turn absolute encoder. A battery is not required.	

NOTICE

- Install a battery at either the host controller or on the Encoder Cable.
If you install batteries both at the host controller and on the Encoder Cable at the same time, you will create a loop circuit between the batteries, resulting in a risk of damage or burning.

6.8.1 Connecting an Absolute Encoder

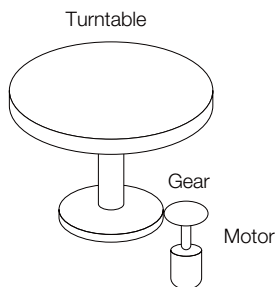
If you use an absolute encoder, the encoder divided pulse output signals (PAO, PBO, and PCO) are output only once when the power supply turns ON. Normally, do not use these signals. Therefore, it is not necessary to wire the PAO, PBO, and PCO (Encoder Divided Pulse Output) signals. If they need to be wired, refer to the following section.

 4.4.3 Wiring the SERVOPACK to the Encoder on page 4-25

 4.5.3 I/O Signal Wiring Examples on page 4-33

6.8.2 Multiturn Limit Setting

The multiturn limit is used in position control for a turntable or other rotating body. For example, consider a machine that moves the turntable shown in the following diagram in only one direction.



Because the turntable moves in only one direction, the upper limit to the number of revolutions that can be counted by an absolute encoder will eventually be exceeded.

The multiturn limit is used in cases like this to prevent fractions from being produced by the integral ratio of the number motor revolutions and the number of turntable revolutions.

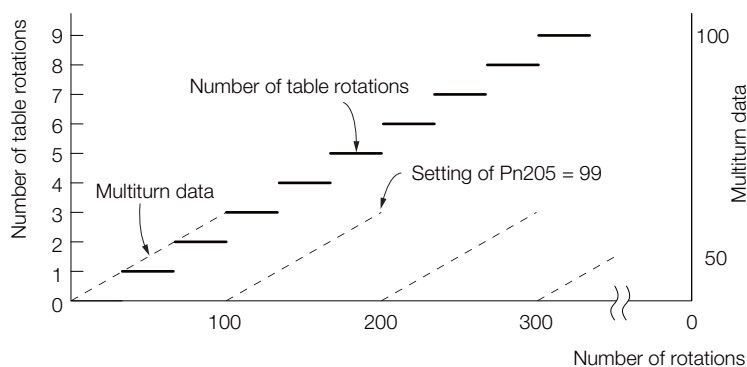
For a machine with a gear ratio of $n:m$, as shown above, the value of m minus 1 will be the setting for the multiturn limit setting (Pn205).

$$\text{Multiturn limit (Pn205)} = m - 1$$

The relationship between the number of turntable revolutions and the number of motor revolutions is shown in the following graph for when m is 100 and n is 3.

Set Pn205 to 99.

$$\text{Pn205} = 100 - 1 = 99$$



Pn205	Multiturn Limit				
	Setting Range	Setting Unit	Default Setting	When Enabled	Classification
	0 to 65,535	1 Rev	65,535	After restart	Setup

Note: This parameter is enabled when you use an absolute encoder.


6.8.3 Multiturn Limit Disagreement Alarm (A.CC0)

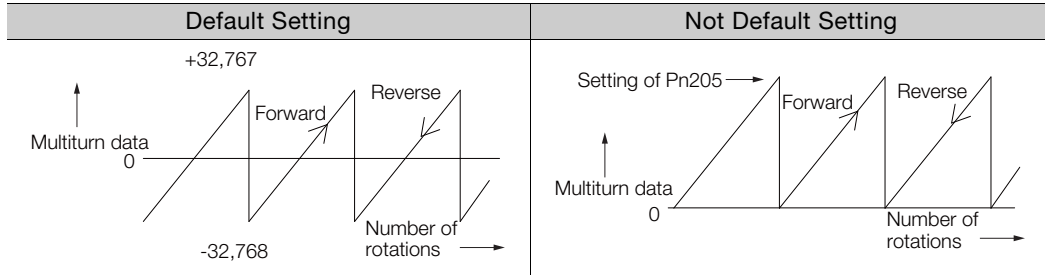
The data will change as shown below when this parameter is set to anything other than the default setting.

- If the motor operates in the reverse direction when the multiturn data is 0, the multiturn data will change to the value set in Pn205.
- If the motor operates in the forward direction when the multiturn data is at the value set in Pn205, the multiturn data will change to 0.

Set Pn205 to one less than the desired multiturn data.

If you change the multiturn limit in Pn205, an A.CC0 alarm (Multiturn Limit Disagreement) will be displayed because the setting disagrees with the value in the encoder. Refer to the following section for the procedure to change the multiturn limit settings in the encoder.

 6.8.3 Multiturn Limit Disagreement Alarm (A.CC0) on page 6-20



Information The multiturn data will always be 0 in the following cases. It is not necessary to reset the absolute encoder in these cases.

- When you use a single-turn absolute encoder
- When the encoder is set to be used as a single-turn absolute encoder (Pn002 = n.□2□□)

Absolute encoder-related alarms (A.810 and A.820) will not occur.

6.8.3 Multiturn Limit Disagreement Alarm (A.CC0)



If you change the multiturn limit in Pn205 (Multiturn Limit), an A.CC0 alarm (Multiturn Limit Disagreement) will be displayed because the setting disagrees with the value in the encoder.

Display	Name	Meaning
A.CC0	Multiturn Limit Disagreement	Different multiturn limits are set in the encoder and SERVO-PACK.

If this alarm is displayed, use the following procedure to change the multiturn limit in the encoder to the same value as the setting of Pn205.


Applicable Tools

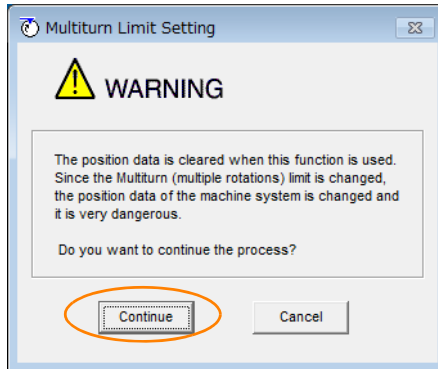
The following table lists the tools that you can use to set the multiturn limit and the applicable tool functions.

Tool	Function	Operating Procedure Reference
Digital Operator	Fn013	 Σ-7-Series Digital Operator Operating Manual (Manual No.: SIEP S800001 33)
SigmaWin+	Setup – Multiturn Limit Setting	 Operating Procedure on page 6-21

Operating Procedure

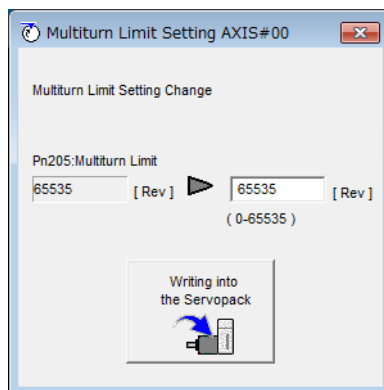
Use the following procedure to adjust the multiturn limit setting.

1. Click the  Servo Drive Button in the workspace of the Main Window of the SigmaWin+.
2. Select **Multiturn Limit Setting** in the Menu Dialog Box.
The Multiturn Limit Setting Dialog Box will be displayed.
3. Click the **Continue** Button.

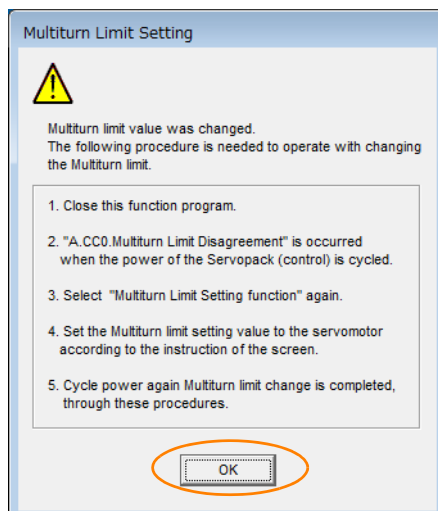


Click the **Cancel** Button to cancel setting the multiturn limit.
The Main Window will return.

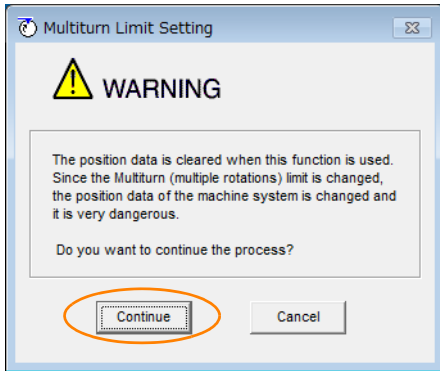
4. Change the setting.



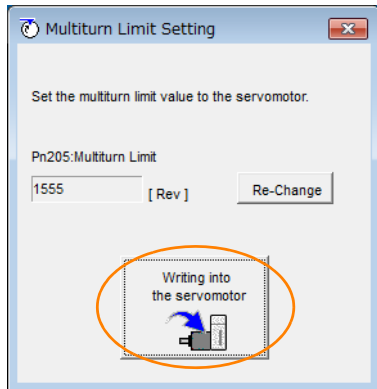
5. Click the **Writing into the Servopack** Button.
6. Click the **OK** Button.



7. Turn the power supply to the SERVOPACK OFF and ON again.
An A.CC0 alarm (Multiturn Limit Disagreement) will occur because setting the multiturn limit in the Servomotor is not yet completed even though the setting has been changed in the SERVOPACK.
8. Display the Multiturn Limit Setting in the Menu Dialog Box.
9. Click the **Continue** Button.

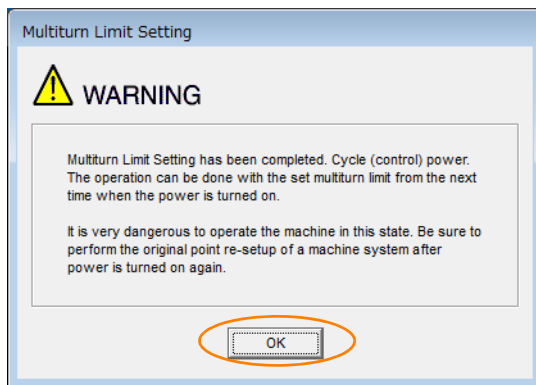


10. Click the **Writing into the servomotor** Button.



Click the **Re-change** Button to change the setting.

11. Click the **OK** Button.



This concludes the procedure to set the multiturn limit.

6.9


Absolute Linear Encoders

The absolute linear encoder records the current position of the stop position even when the power supply is OFF.

With a system that uses an absolute linear encoder, the host controller can monitor the current position. Therefore, it is not necessary to perform an origin return operation when the power supply to the system is turned ON.

There are three types of linear encoders for Linear Servomotors. The usage of the linear encoder is specified in Pn002 = n.□X□□.

Refer to the following section for linear encoder models.

 **Feedback Resolution of Linear Encoder** on page 5-43

- Parameter Settings When Using an Incremental Linear Encoder

Parameter		Meaning	When Enabled	Classification
Pn002	n.□0□□ (default setting)	Use the encoder as an incremental linear encoder.	After restart	Setup
	n.□1□□	Use the encoder as an incremental linear encoder.		

- Parameter Settings When Using an Absolute Linear Encoder


Parameter		Meaning	When Enabled	Classification
Pn002	n.□0□□ (default setting)	Use the encoder as an absolute linear encoder.	After restart	Setup
	n.□1□□	Use the encoder as an incremental linear encoder.		

6.9.1

Connecting an Absolute Linear Encoder

If you use an absolute linear encoder, the encoder divided pulse output signals (PAO, PBO, and PCO) are output only once when the power supply turns ON. Normally, do not use these signals. Therefore, it is not necessary to wire the PAO, PBO, and PCO (Encoder Divided Pulse Output) signals. If they need to be wired, refer to the following section.

 **4.4.3 Wiring the SERVOPACK to the Encoder** on page 4-25

 **4.5.3 I/O Signal Wiring Examples** on page 4-33

6.10 Software Reset

You can reset the SERVOPACK internally with the software. A software reset is used when resetting alarms and changing the settings of parameters that normally require turning the power supply to the SERVOPACK OFF and ON again. This can be used to change those parameters without turning the power supply to the SERVOPACK OFF and ON again.

Information

1. Always confirm that the servo is OFF and that the motor is stopped before you start a software reset.
2. This function resets the SERVOPACK independently of the host controller. The SERVOPACK carries out the same processing as when the power supply is turned ON and outputs the ALM (Servo Alarm) signal. The status of other output signals may be forcibly changed.
3. When you execute a software reset, the SERVOPACK will not respond for approximately five seconds.
Before you execute a software reset, check the status of the SERVOPACK and Servomotor and make sure that no problems will occur.

6.10.1 Preparations

Always check the following before you perform a software reset.

- The servo must be OFF.
- The motor must be stopped.


6.10.2 Applicable Tools

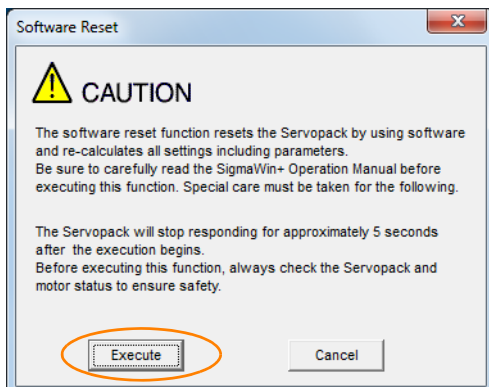
The following table lists the tools that you can use to perform a software reset and the applicable tool functions.

Tool	Function	Operating Procedure Reference
Digital Operator	Fn030	Σ-7-Series Digital Operator Operating Manual (Manual No.: SIEP S800001 33)
SigmaWin+	Setup – Software Reset	6.10.3 Operating Procedure on page 6-24

6.10.3 Operating Procedure

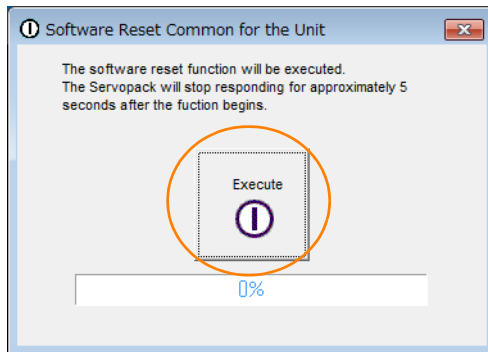
Use the following procedure to perform a software reset.

1. Click the  Servo Drive Button in the workspace of the Main Window of the SigmaWin+.
2. Select **Software Reset** in the Menu Dialog Box.
The Software Reset Dialog Box will be displayed.
3. Click the **Execute** Button.



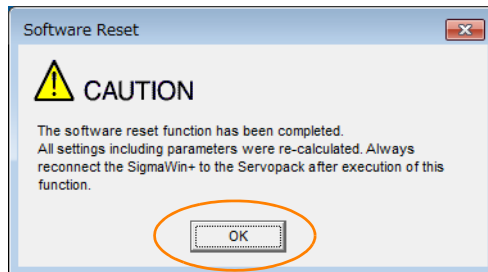
Click the **Cancel** Button to cancel the software reset. The Main Window will return.

4. Click the **Execute** Button.



5. Click the **OK** Button to end the software reset operation.

All settings including parameters will have been re-calculated. When you finish this operation, disconnect the SigmaWin+ from the SERVOPACK, and then connect it again.



This concludes the procedure to reset the software.

6.11 Initializing the Vibration Detection Level

You can detect machine vibration during operation to automatically adjust the settings of Pn312 or Pn384 (Vibration Detection Level) to detect A.520 alarms (Vibration Alarm) and A.911 warnings (Vibration Warning) more precisely.

This function detects specific vibration components in the Servomotor speed.

Parameter		Meaning	When Enabled	Classification
Pn310	n.□□□0 (default setting)	Do not detect vibration.	Immediately	Setup
	n.□□□1	Output a warning (A.911) if vibration is detected.		
	n.□□□2	Output an alarm (A.520) if vibration is detected.		

If the vibration exceeds the detection level calculated with the following formula, an alarm or warning occurs according to Pn310 (Vibration Detection Selection).

- Rotary Servomotors

$$\text{Detection level} = \frac{\text{Vibration detection level (Pn312 [min-1])} \times \text{Vibration detection sensitivity (Pn311 [\%])}{100}$$

- Linear Servomotors

$$\text{Detection level} = \frac{\text{Vibration detection level (Pn384 [mm/s])} \times \text{Vibration detection sensitivity (Pn311 [\%])}{100}$$

Use this function only if A.520 or A.911 alarms are not output at the correct times when vibration is detected with the default vibration detection level (Pn312 or Pn384).

There will be discrepancies in the detection sensitivity for vibration alarms and warnings depending on the condition of your machine. If there is a discrepancy, use the above formula to adjust Pn311 (Vibration Detection Sensitivity).

Pn311	Vibration Detection Sensitivity				
	Setting Range	Setting Unit	Default Setting	When Enabled	Classification
	50 to 500	1%	100	Immediately	Tuning

Information

1. Vibration may not be detected because of unsuitable servo gains. Also, not all kinds of vibrations can be detected.
2. Set a suitable moment of inertia ratio (Pn103). An unsuitable setting may result in falsely detecting or not detecting vibration alarms or vibration warnings.
3. To use this function, you must input the actual references that will be used to operate your system.
4. Execute this function under the operating conditions for which you want to set the vibration detection level.
5. Execute this function while the motor is operating at 10% of its maximum speed or faster.



6.11.1 Preparations

Always check the following before you initialize the vibration detection level.

- The parameters must not be write prohibited.
- The test without a motor function must be disabled (Pn00C = n.□□□0).


6.11.2 Applicable Tools

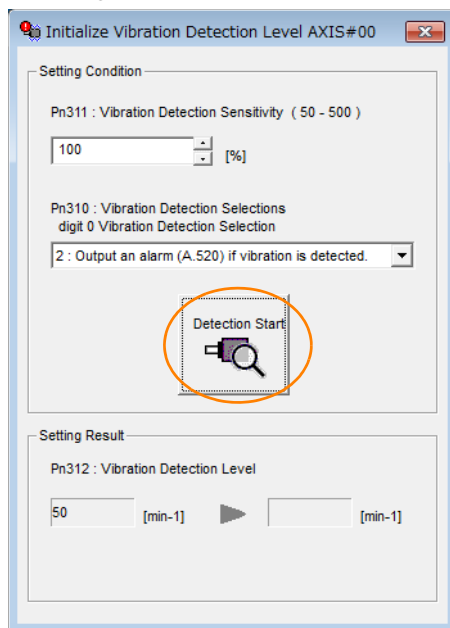
The following table lists the tools that you can use to initialize the vibration detection level and the applicable tool functions.

Tool	Function	Operating Procedure Reference
Digital Operator	Fn01B	 Σ -7-Series Digital Operator Operating Manual (Manual No.: SIEP S800001 33)
SigmaWin+	Setup – Initialize Vibration Detection Level	 6.11.3 Operating Procedure on page 6-27

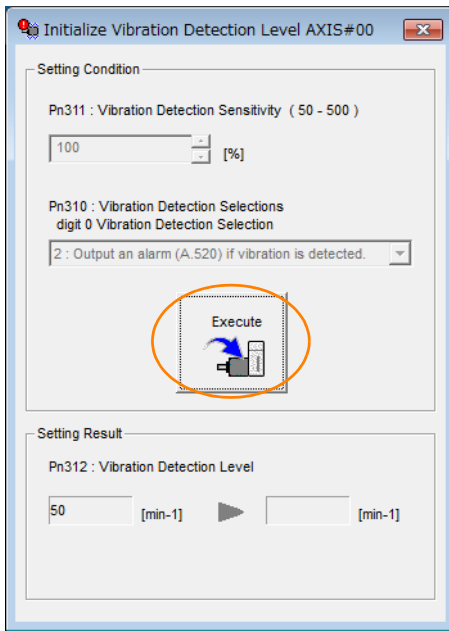
6.11.3 Operating Procedure

Use the following procedure to initialize the vibration detection level.

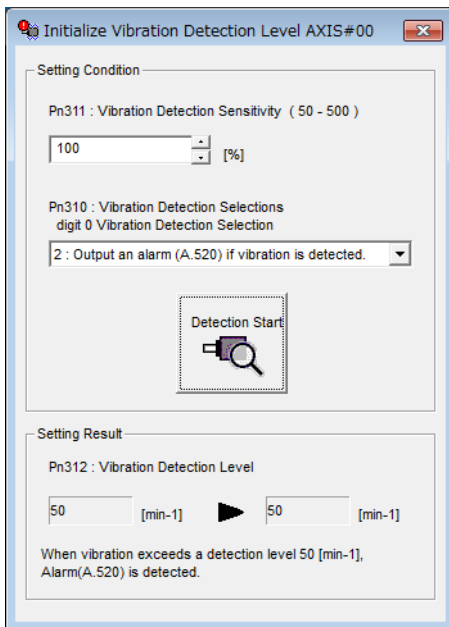
1. Click the  Servo Drive Button in the workspace of the Main Window of the SigmaWin+.
2. Select **Initialize Vibration Detection Level** in the Menu Dialog Box.
The Initialize Vibration Detection Level Dialog Box will be displayed.
3. Select **Pn311: Vibration Detection Sensitivity** and **Pn310: Vibration Detection Selections** and then click the **Detection Start** Button.
A setting execution standby mode will be entered.



4. Click the **Execute** Button.



The newly set vibration detection level will be displayed and the value will be saved in the SERVO-PACK.



This concludes the procedure to initialize the vibration detection level.

6.11.4 Related Parameters

The following three items are given in the following table.

- Parameters Related to this Function
These are the parameters that are used or referenced when this function is executed.
- Changes during Function Execution
Not allowed: The parameter cannot be changed using the SigmaWin+ or other tool while this function is being executed.
Allowed: The parameter can be changed using the SigmaWin+ or other tool while this function is being executed.
- Automatic Changes after Function Execution
Yes: The parameter is automatically set or adjusted after execution of this function.
No: The parameter is not automatically set or adjusted after execution of this function.

Parameter	Name	Setting Changes	Automatic Changes
Pn311	Vibration Detection Sensitivity	Allowed	No
Pn312	Vibration Detection Level	Not allowed	Yes
Pn384	Vibration Detection Level	Not allowed	Yes

6.12 Adjusting the Motor Current Detection Signal Offset

The motor current detection signal offset is used to reduce ripple in the torque. You can adjust the motor current detection signal offset either automatically or manually.

6.12.1 Automatic Adjustment

Perform this adjustment only if highly accurate adjustment is required to reduce torque ripple. It is normally not necessary to adjust this offset.



Important

Execute the automatic offset adjustment if the torque ripple is too large when compared with other SERVOPACKs.

Information

The offset does not use a parameter, so it will not change even if the parameter settings are initialized.

Preparations

Always check the following before you automatically adjust the motor current detection signal offset.

- The parameters must not be write prohibited.
- The servo must be in ready status.
- The servo must be OFF.

Applicable Tools

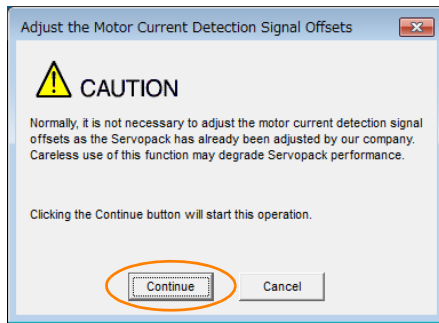
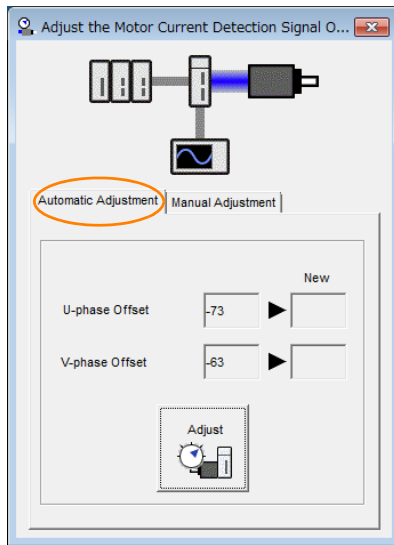
The following table lists the tools that you can use to automatically adjust the offset and the applicable tool functions.

Tool	Function	Operating Procedure Reference
Digital Operator	Fn00E	Σ -7-Series Digital Operator Operating Manual (Manual No.: SIEP S800001 33)
SigmaWin+	Setup – Adjust Offset - Adjust the Motor Current Detection Offset	Operating Procedure on page 6-30

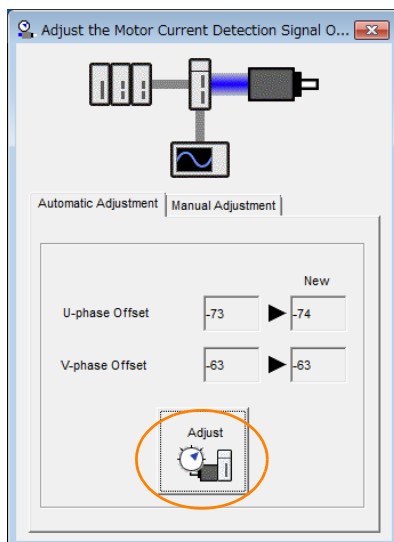
Operating Procedure

Use the following procedure to automatically adjust the motor current detection signal offset.

1. Click the Servo Drive Button in the workspace of the Main Window of the SigmaWin+.
2. Select **Adjust the Motor Current Detection Signal Offsets** in the Menu Dialog Box. The Adjust the Motor Current Detection Signal Offsets Dialog Box will be displayed.

3. Click the **Continue** Button.4. Click the **Automatic Adjustment** Tab in the Adjust the Motor Current Detection Signal Offsets Dialog Box.5. Click the **Adjust** Button.

The values that result from automatic adjustment will be displayed in the **New** Boxes.



This concludes the procedure to automatically adjust the motor current detection signal offset.

6.12.2 Manual Adjustment

You can use this function if you automatically adjust the motor current detection signal offset and the torque ripple is still too large.



Important

If the offset is incorrectly adjusted with this function, the Servomotor characteristics may be adversely affected.

Observe the following precautions when you manually adjust the offset.

- Operate the Servomotor at a speed of approximately 100 min^{-1} .
- Adjust the offset while monitoring the torque reference with the analog monitor until the ripple is minimized.
- Adjust the offsets for the phase-U current and phase-V current of the Servomotor so that they are balanced. Alternately adjust both offsets several times.

Information

The offset does not use a parameter, so it will not change even if the parameter settings are initialized.

Preparations

Always check the following before you manually adjust the motor current detection signal offset.

- The parameters must not be write prohibited.

Applicable Tools

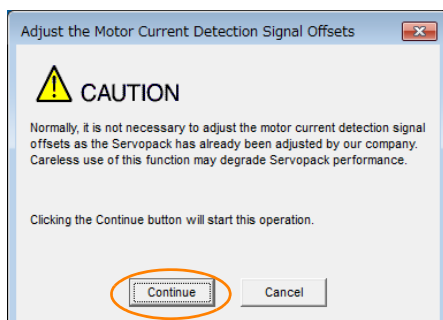
The following table lists the tools that you can use to manually adjust the offset and the applicable tool functions.

Tool	Function	Operating Procedure Reference
Digital Operator	Fh00F	Σ -7-Series Digital Operator Operating Manual (Manual No.: S1EP S800001 33)
SigmaWin+	Setup – Adjust Offset - Adjust the Motor Current Detection Offset	Operating Procedure on page 6-32

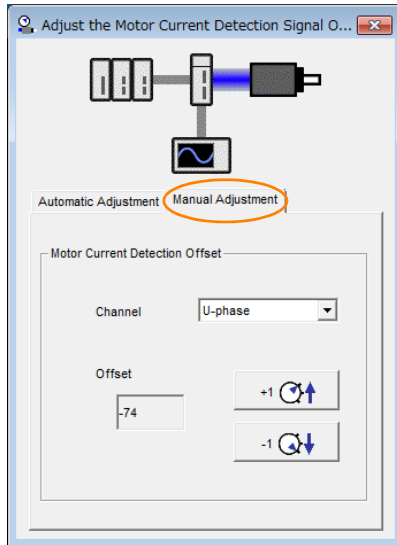
Operating Procedure

Use the following procedure to manually adjust the motor current detection signal offset.

1. Operate the motor at approximately 100 min^{-1} .
2. Click the Servo Drive Button in the workspace of the Main Window of the SigmaWin+.
3. Select **Adjust the Motor Current Detection Signal Offsets** in the Menu Dialog Box. The Adjust the Motor Current Detection Signal Offsets Dialog Box will be displayed.
4. Click the **Continue** Button.



- Click the **Manual Adjustment** Tab in the Adjust the Motor Current Detection Signal Offsets Dialog Box.



- Set the **Channel Box** in the **Motor Current Detection Offset** Area to **U-phase**.
- Use the **+1** and **-1** Buttons to adjust the offset for phase U.
Change the offset by about 10 in the direction that reduces the torque ripple.
Adjustment range: -512 to +511
- Set the **Channel Box** in the **Motor Current Detection Offset** Area to **V-phase**.
- Use the **+1** and **-1** Buttons to adjust the offset for phase V.
Change the offset by about 10 in the direction that reduces the torque ripple.
- Repeat steps 6 to 9 until the torque ripple cannot be decreased any further regardless of whether you increase or decrease the offsets.
- Reduce the amount by which you change the offsets each time and repeat steps 6 to 9.

This concludes the procedure to manually adjust the motor current detection signal offset.

6.13 External Stop Function

The external stop function forces the Servomotor to stop when an external switch that is connected to the SERVOPACK operates. The EXSTOP (External Stop Input) signal is used for the external stop function. If the switch operates, a hard stop is performed for the motor and the servo is turned OFF.

Note: The external stop function is not designed to comply with any safety standard. In this respect, it is different from the hard wire base block (HWBB).

⚠ CAUTION
<ul style="list-style-type: none"> ● To prevent accidents that may result from contact faults or disconnections, use a normally closed switch for the External Stop Input switch.

6.13.1 EXSTOP (External Stop Input) Signal

Type	Signal	Connector Pin No.	Meaning
Input	EXSTOP	CN1-12	External Stop Input signal

6.13.2 Enabling/Disabling the External Stop Input Signal

You can disable the External Stop Input signal by changing the settings of a parameter in the SERVOPACK. If the signal is disabled, wiring the External Stop Input signal is not required.

	Parameter	Meaning
PnBA4	b.□□□□ □□□□ □□0□ □□□□	The External Stop Input signal is disabled.
	b.□□□□ □□□□ □□1□ □□□□	The EXSTOP (External Stop Input) signal is input from CN1-12. (Default setting)

6.13.3 Setting the Polarity of the External Stop Input Signal

This parameter sets the polarity of the External Stop Input signal that will be active.

	Parameter	Meaning
PnBA3	b.□□□□ □□□□ □□0□ □□□□	The External Stop Input signal is active while the external switch is open. (Default setting)
	b.□□□□ □□□□ □□1□ □□□□	The External Stop Input signal is active while the external switch is closed.

6.14 Overheat Protection

Overheat protection detects an A.93B warning (Overheat Warning) and an A.862 alarm (Overheat Alarm) by monitoring the overheat protection input signal from a Yaskawa SGLFW2 Linear Servomotor or from a sensor attached to the machine.

SERVOPACKs with software version 0023 or higher support overheat protection.

When you use overheat protection, you must wire the overheat protection input (TH) signal and select overheat protection (Pn61A = n.□□□X).

6.14.1 Connecting the Overheat Protection Input (TH) Signal

To use overheat protection, you must connect an overheat protection input (TH) signal to the SERVOPACK. This section describes the connection methods for the overheat protection input (TH) signal.

Using Overheat Protection in the Linear Servomotor

- If you use a Serial Converter Unit, connect the connector for the polarity sensor and thermostat cable of the Linear Servomotor to the Serial Converter Unit.
- If you do not use a Serial Converter Unit, connect the thermostat cable of the Linear Servomotor to CN1-5 on the SERVOPACK.

Using Overheat Protection for the Machine

To use overheat protection for the machine, connect the overheat protection input (an analog voltage input) from the sensor mounted to the machine to the CN1-5 on the SERVOPACK.

6.14.2 Overheat Protection Selection

The overheat protection function is selected with Pn61A = n.□□□X (Overheat Protection Selections).

	Parameter	Meaning	When Enabled	Classification
Pn61A	n.□□□0 (default setting)	Disable overheat protection.	After restart	Setup
	n.□□□1	Use overheat protection in the Yaskawa Linear Servomotor.*		
	n.□□□2	Monitor a negative voltage input from a sensor attached to the machine and use overheat protection.		
	n.□□□3	Monitor a positive voltage input from a sensor attached to the machine and use overheat protection.		


* The SGLFW2 is the only Yaskawa Linear Servomotor that supports this function.

Using Overheat Protection in the Yaskawa Linear Servomotor

To use the overheat protection in the Yaskawa Linear Servomotor (SGLFW2), set Pn61A to n.□□□1.

An A.93B warning (Overheat Warning) will be detected if the overheat protection input (TH) signal from the Yaskawa SGLFW2 Linear Servomotor exceeds the warning temperature.

An A.862 alarm (Overheat Alarm) will be detected if the overheat protection input (TH) signal from the Yaskawa SGLFW2 Linear Servomotor exceeds the alarm temperature.



Important


- If the overheat protection input signal line is disconnected or short-circuited, an A.862 alarm will occur.
- If you set Pn61A to n.□□□1 (Use overheat protection in the Yaskawa Linear Servomotor), the parameters in the Servomotor are enabled and the following parameters are disabled.
 - Overheat Alarm Level (Pn61B)
 - Overheat Warning Level (Pn61C)
 - Overheat Alarm Filter Time (Pn61D)

Monitoring the Machine's Temperature and Using Overheat Protection

Set Pn61A = n.□□□X to 2 or 3 to use overheat protection for the machine.

Set the following parameters as required.

Overheat Alarm Level					
Pn61B	Setting Range	Setting Unit	Default Setting	When Enabled	Classification
	0 to 500	0.01 V	250	Immediately	Setup
Overheat Warning Level					
Pn61C	Setting Range	Setting Unit	Default Setting	When Enabled	Classification
	0 to 100	1%	100	Immediately	Setup
Overheat Alarm Filter Time					
Pn61D	Setting Range	Setting Unit	Default Setting	When Enabled	Classification
	0 to 65,535	1 s	0	Immediately	Setup



Important

- When Pn61A is set to n.□□□2, an A.862 alarm will occur if the overheat protection input signal line is disconnected or short-circuited.
- When Pn61A is set to n.□□□3, an A862 alarm will not occur if the overheat protection input signal line is disconnected or short-circuited. To ensure safety, we recommend that you connect the external circuits so that you can use a negative voltage input for the overheat protection input (an analog voltage input).

Trial Operation and Actual Operation

7

This chapter provides information on the flow and procedures for trial operation and convenient functions to use during trial operation.

7.1	Flow of Trial Operation	7-2
7.1.1	Flow of Trial Operation for Rotary Servomotors . .	7-2
7.1.2	Flow of Trial Operation for Linear Servomotors . .	7-3
7.2	Inspections and Confirmations before Trial Operation . .	7-5
7.3	Trial Operation for the Servomotor without a Load . .	7-6
7.3.1	Preparations	7-6
7.3.2	Applicable Tools	7-7
7.3.3	Operating Procedure	7-7
7.4	Trial Operation with DeviceNet Communications . .	7-9
7.5	Trial Operation with the Servomotor Connected to the Machine . .	7-10
7.5.1	Precautions	7-10
7.5.2	Preparations	7-10
7.5.3	Operating Procedure	7-11
7.6	Convenient Function to Use during Trial Operation . .	7-12
7.6.1	Program Jogging	7-12
7.6.2	Origin Search	7-18
7.6.3	Test without a Motor	7-20

7.1 Flow of Trial Operation

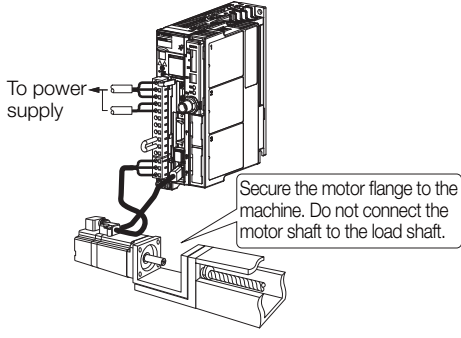
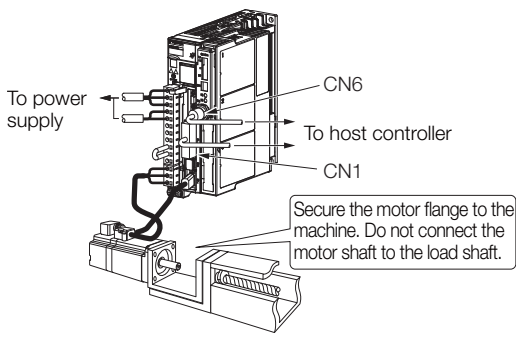
7.1.1 Flow of Trial Operation for Rotary Servomotors

The procedure for trial operation is given below.

• Preparations for Trial Operation

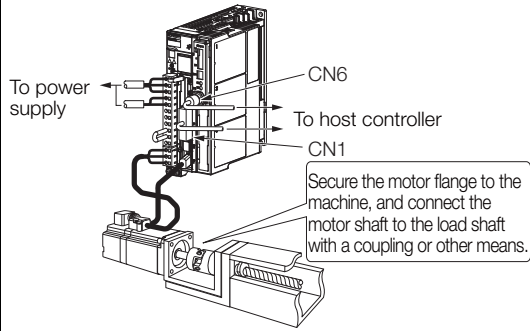
Step	Meaning	Reference
1	Installation Install the Servomotor and SERVOPACK according to the installation conditions. First, operation is checked with no load. Do not connect the Servomotor to the machine.	<i>Chapter 3 Installation</i>
2	Wiring and Connections Wire and connect the SERVOPACK. First, Servomotor operation is checked without a load. Do not connect the CN1 connector on the SERVOPACK.	<i>Chapter 4 Wiring and Connections</i>
3	Confirmations before Trial Operation	<i>7.2 Inspections and Confirmations before Trial Operation on page 7-5</i>
4	Power ON	—
5	Resetting the Absolute Encoder This step is necessary only for a Servomotor with an Absolute Encoder.	<i>5.15 Resetting the Absolute Encoder on page 5-45</i>

• Trial Operation

Step	Meaning	Reference
1	Trial Operation for the Servomotor without a Load 	<i>7.3 Trial Operation for the Servomotor without a Load on page 7-6</i>
2	Trial Operation with DeviceNet Communications 	<i>7.4 Trial Operation with DeviceNet Communications on page 7-9</i>

Continued on next page.

Continued from previous page.

Step	Meaning	Reference
3	<p>Trial Operation with the Servomotor Connected to the Machine</p>  <p>Secure the motor flange to the machine, and connect the motor shaft to the load shaft with a coupling or other means.</p>	<p>7.5 Trial Operation with the Servomotor Connected to the Machine on page 7-10</p>

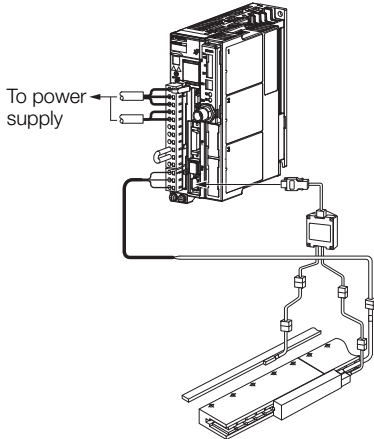
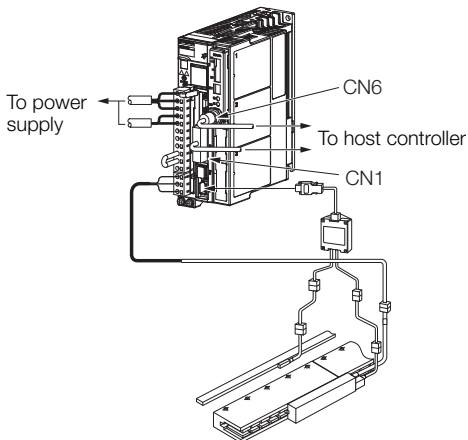
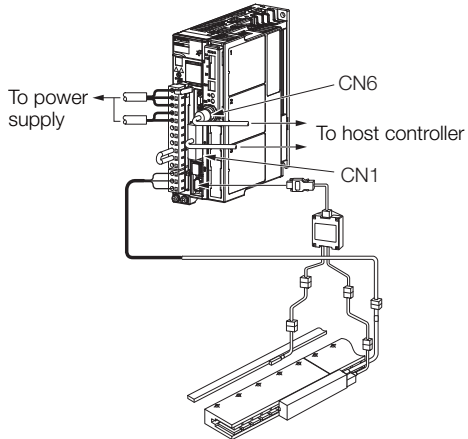
7.1.2 Flow of Trial Operation for Linear Servomotors

The procedure for trial operation is given below.

• Preparations for Trial Operation

Step	Meaning	Reference																																			
1	<p>Installation Install the Servomotor and SERVOPACK according to the installation conditions. First, operation is checked with no load. Do not connect the Servomotor to the machine.</p>	<p>Chapter 3 Installation</p>																																			
2	<p>Wiring and Connections Wire and connect the SERVOPACK. First, Servomotor operation is checked without a load. Do not connect the CN1 connector on the SERVOPACK.</p>	<p>Chapter 4 Wiring and Connections</p>																																			
3	<p>Confirmations before Trial Operation</p>	<p>7.2 Inspections and Confirmations before Trial Operation on page 7-5</p>																																			
4	<p>Power ON</p>	<p>–</p>																																			
5	<p>Setting Parameters in the SERVOPACK</p> <table border="1"> <thead> <tr> <th>Step</th> <th>No. of Parameter to Set</th> <th>Description</th> <th>Remarks</th> <th>Reference</th> </tr> </thead> <tbody> <tr> <td>5-1</td> <td>Pn282</td> <td>Linear Encoder Pitch</td> <td>Set this parameter only if you are using a Serial Converter Unit.</td> <td>page 5-17</td> </tr> <tr> <td>5-2</td> <td>–</td> <td>Writing Parameters to the Linear Servomotor</td> <td>Set this parameter only if you are not using a Serial Converter Unit.</td> <td>page 5-18</td> </tr> <tr> <td>5-3</td> <td>Pn080 = n.□□X□</td> <td>Motor Phase Sequence Selection</td> <td>–</td> <td>page 5-22</td> </tr> <tr> <td>5-4</td> <td>Pn080 = n.□□□X</td> <td>Polarity Sensor Selection</td> <td>–</td> <td>page 5-24</td> </tr> <tr> <td>5-5</td> <td>–</td> <td>Polarity Detection</td> <td>This step is necessary only for a Linear Servomotor with a Polarity Sensor.</td> <td>page 5-25</td> </tr> <tr> <td>5-6</td> <td>Pn483, Pn484</td> <td>Force Control</td> <td>–</td> <td>page 6-17</td> </tr> </tbody> </table>		Step	No. of Parameter to Set	Description	Remarks	Reference	5-1	Pn282	Linear Encoder Pitch	Set this parameter only if you are using a Serial Converter Unit.	page 5-17	5-2	–	Writing Parameters to the Linear Servomotor	Set this parameter only if you are not using a Serial Converter Unit.	page 5-18	5-3	Pn080 = n.□□X□	Motor Phase Sequence Selection	–	page 5-22	5-4	Pn080 = n.□□□X	Polarity Sensor Selection	–	page 5-24	5-5	–	Polarity Detection	This step is necessary only for a Linear Servomotor with a Polarity Sensor.	page 5-25	5-6	Pn483, Pn484	Force Control	–	page 6-17
	Step	No. of Parameter to Set	Description	Remarks	Reference																																
	5-1	Pn282	Linear Encoder Pitch	Set this parameter only if you are using a Serial Converter Unit.	page 5-17																																
	5-2	–	Writing Parameters to the Linear Servomotor	Set this parameter only if you are not using a Serial Converter Unit.	page 5-18																																
	5-3	Pn080 = n.□□X□	Motor Phase Sequence Selection	–	page 5-22																																
	5-4	Pn080 = n.□□□X	Polarity Sensor Selection	–	page 5-24																																
	5-5	–	Polarity Detection	This step is necessary only for a Linear Servomotor with a Polarity Sensor.	page 5-25																																
5-6	Pn483, Pn484	Force Control	–	page 6-17																																	
6	<p>Setting the Origin of the Absolute Linear Encoder Note: This step is necessary only for an Absolute Linear Servomotor from Mitutoyo Corporation.</p>	<p>5.16.2 Setting the Origin of the Absolute Linear Encoder on page 5-48</p>																																			

• Trial Operation

Step	Meaning	Reference
1	<p>Trial Operation for the Servomotor without a Load</p> 	<p>7.3 Trial Operation for the Servomotor without a Load on page 7-6</p>
2	<p>Trial Operation with DeviceNet Communications</p> 	<p>7.4 Trial Operation with DeviceNet Communications on page 7-9</p>
3	<p>Trial Operation with the Servomotor Connected to the Machine</p> 	<p>7.5 Trial Operation with the Servomotor Connected to the Machine on page 7-10</p>

7.2

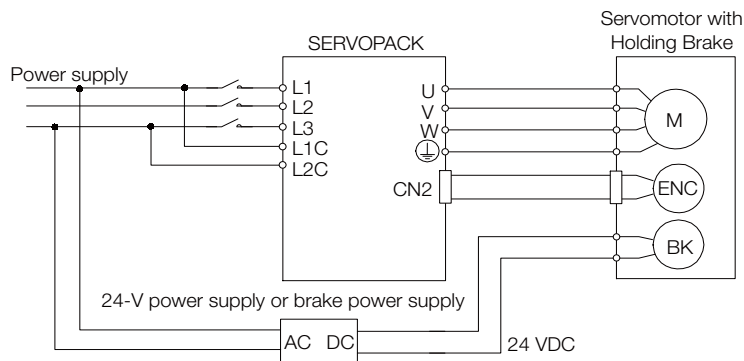
Inspections and Confirmations before Trial Operation

To ensure safe and correct trial operation, check the following items before you start trial operation.

- Make sure that the SERVOPACK and Servomotor are installed, wired, and connected correctly.
- Make sure that the correct power supply voltage is supplied to the SERVOPACK.
- Make sure that there are no loose parts in the Servomotor mounting.
- If you are using a Servomotor with an Oil Seal, make sure that the oil seal is not damaged. Also make sure that oil has been applied.
- If you are performing trial operation on a Servomotor that has been stored for a long period of time, make sure that all Servomotor inspection and maintenance procedures have been completed.

Refer to the manual for your Servomotor for Servomotor maintenance and inspection information.

- If you are using a Servomotor with a Holding Brake, make sure that the brake is released in advance. To release the brake, you must apply the specified voltage of 24 VDC to the brake. A circuit example for trial operation is provided below.



7.3 Trial Operation for the Servomotor without a Load

You use jogging for trial operation of the Servomotor without a load.

Jogging is used to check the operation of the Servomotor without connecting the SERVOPACK to the host controller. The Servomotor is moved at the preset jogging speed.

CAUTION

- During jogging, the overtravel function is disabled. Consider the range of motion of your machine when you jog the Servomotor.

7.3.1 Preparations

Always check the following before you execute jogging.

- The parameters must not be write prohibited.
- The main circuit power supply must be ON.
- There must be no alarms.
- There must be no hard wire base block (HWBB).
- The servo must be OFF.
- The jogging speed must be set considering the operating range of the machine.
The jogging speed is set with the following parameters.

- Rotary Servomotors

Pn304	Jogging Speed				
	Setting Range	Setting Unit	Default Setting	When Enabled	Classification
	0 to 10,000	1 min ⁻¹	500	Immediately	Setup
Pn305	Soft Start Acceleration Time				
	Setting Range	Setting Unit	Default Setting	When Enabled	Classification
	0 to 10,000	1 ms	0	Immediately	Setup
Pn306	Soft Start Deceleration Time				
	Setting Range	Setting Unit	Default Setting	When Enabled	Classification
	0 to 10,000	1 ms	0	Immediately	Setup

- Direct Drive Servomotors

Pn304	Jogging Speed				
	Setting Range	Setting Unit	Default Setting	When Enabled	Classification
	0 to 10,000	0.1 min ⁻¹	500	Immediately	Setup
Pn305	Soft Start Acceleration Time				
	Setting Range	Setting Unit	Default Setting	When Enabled	Classification
	0 to 10,000	1 ms	0	Immediately	Setup
Pn306	Soft Start Deceleration Time				
	Setting Range	Setting Unit	Default Setting	When Enabled	Classification
	0 to 10,000	1 ms	0	Immediately	Setup

- Linear Servomotors

Pn383	Jogging Speed				
	Setting Range	Setting Unit	Default Setting	When Enabled	Classification
	0 to 10,000	1 mm/s	50	Immediately	Setup
Pn305	Soft Start Acceleration Time				
	Setting Range	Setting Unit	Default Setting	When Enabled	Classification
	0 to 10,000	1 ms	0	Immediately	Setup
Pn306	Soft Start Deceleration Time				
	Setting Range	Setting Unit	Default Setting	When Enabled	Classification
	0 to 10,000	1 ms	0	Immediately	Setup

7.3.2 Applicable Tools

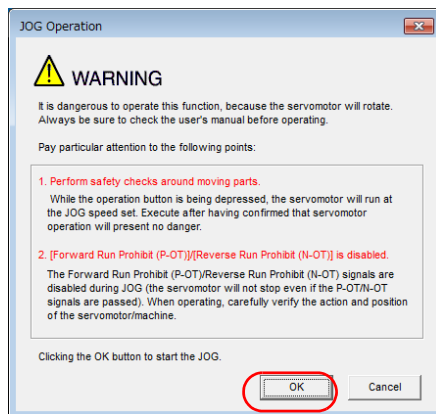
The following table lists the tools that you can use to perform jogging and the applicable tool functions.

Tool	Function	Operating Procedure Reference
Digital Operator	Fn002	Σ -7-Series Digital Operator Operating Manual (Manual No.: SIEP S800001 33)
SigmaWin+	Test Run - Jog	Operating Procedure on page 7-7

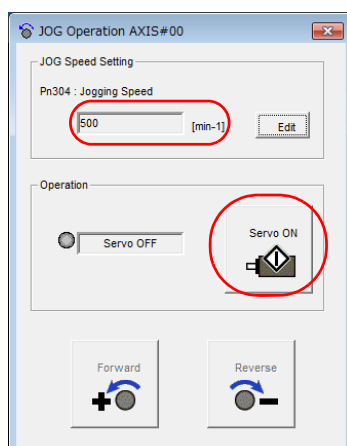
7.3.3 Operating Procedure

Use the following procedure to jog the motor.

1. Click the Servo Drive Button in the workspace of the Main Window of the SigmaWin+.
2. Select **JOG Operation** in the Menu Dialog Box.
The Jog Operation Dialog Box will be displayed.
3. Read the warnings and then click the **OK** Button.



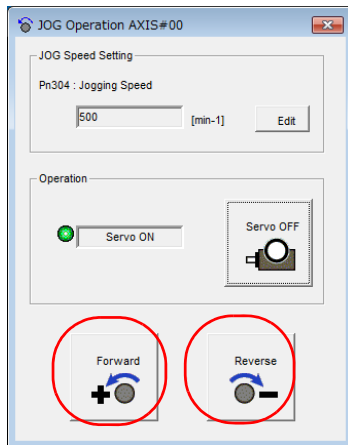
4. Check the jogging speed and then click the **Servo ON** Button.



The display in the **Operation** Area will change to **Servo ON**.

Information To change the speed, click the **Edit** Button and enter the new speed.

5. Click the **Forward Button** or the **Reverse Button**.
Jogging will be performed only while you hold down the mouse button.



6. After you finish jogging, turn the power supply to the SERVOPACK OFF and ON again.

This concludes the jogging procedure.

7.4

Trial Operation with DeviceNet Communications


A trial operation example for DeviceNet communications is given below.

Refer to the following chapter for details on commands.





 Chapter 12 DeviceNet Functions

1. Connect the DeviceNet communications connector (CN6 connector).
2. Confirm that the wiring is correct, and then connect the I/O signal connector (CN1 connector).


Refer to the following chapter for details on wiring.



 Chapter 4 Wiring and Connections

3. Turn ON the power supplies to the SERVOPACK.
If power is being supplied correctly, the CHARGE indicator on the SERVOPACK will light.
4. Set the following items, which are necessary for trial operation.

Setting	Parameters to Set	Reference
Motor Direction	Pn000	 5.4 Motor Direction Setting on page 5-16
Feed Speed	PnB21 PnB26 PnB29	 12.3 Positioning on page 12-6
Acceleration Rate	PnB2A	
Deceleration Rate	PnB2B	
Holding Brake	Pn506 Pn507 (Pn583)* Pn508	 5.11 Holding Brake on page 5-30
Motor Stopping Method after Servo OFF and Alarms	Pn001 Pn00B	 5.12 Motor Stopping Method for Servo OFF and Alarms on page 5-34

* Set Pn507 for a Rotary Servomotor and Pn583 for a Linear Servomotor.

5. Use DeviceNet I/O communications to perform positioning.
Refer to the following section for details on operation.
 12.3 Positioning on page 12-6
6. While operation is in progress for step 5, confirm the following items.

Confirmation Item	Reference
Confirm that the rotational direction of the Servomotor agrees with the forward or reverse reference. If they do not agree, correct the rotation direction of the Servomotor.	 5.4 Motor Direction Setting on page 5-16
Confirm that no abnormal vibration, noise, or temperature rise occurs. If any abnormalities are found, implement corrections.	 14.4 Troubleshooting Based on the Operation and Conditions of the Servomotor on page 14-56

Note: If the load machine is not sufficiently broken in before trial operation, the Servomotor may become overloaded.

7.5 Trial Operation with the Servomotor Connected to the Machine

This section provides the procedure for trial operation with both the machine and Servomotor.

7.5.1 Precautions

WARNING

- Operating mistakes that occur after the Servomotor is connected to the machine may not only damage the machine, but they may also cause accidents resulting in personal injury.



Important


If you disabled the overtravel function for trial operation of the Servomotor without a load, enable the overtravel function (CCW-OT and CW-OT signal) before you perform trial operation with the Servomotor connected to the machine in order to provide protection.

If you will use a brake, observe the following precautions during trial operation.

- Before you check the operation of the brake, implement measures to prevent vibration from being caused by the machine falling due to gravity or an external force.
- First check the Servomotor operation and brake operation with the Servomotor uncoupled from the machine. If no problems are found, connect the Servomotor to the machine and perform trial operation again.

Control the operation of the brake with the /BK (Brake) signal output from the SERVOPACK.

Refer to the following sections for information on wiring and the related parameter settings.

 [4.4.4 Wiring the SERVOPACK to the Holding Brake on page 4-31](#)

 [5.11 Holding Brake on page 5-30](#)



Important

Failures caused by incorrect wiring or incorrect voltage application in the brake circuit may cause the SERVOPACK to fail, damage the SERVOPACK, damage the equipment, or cause an accident resulting in death or injury.





Observe the precautions and instructions for wiring and trial operation precisely as described in this manual.

7.5.2 Preparations

Always confirm the following before you perform the trial operation procedure for both the machine and Servomotor.

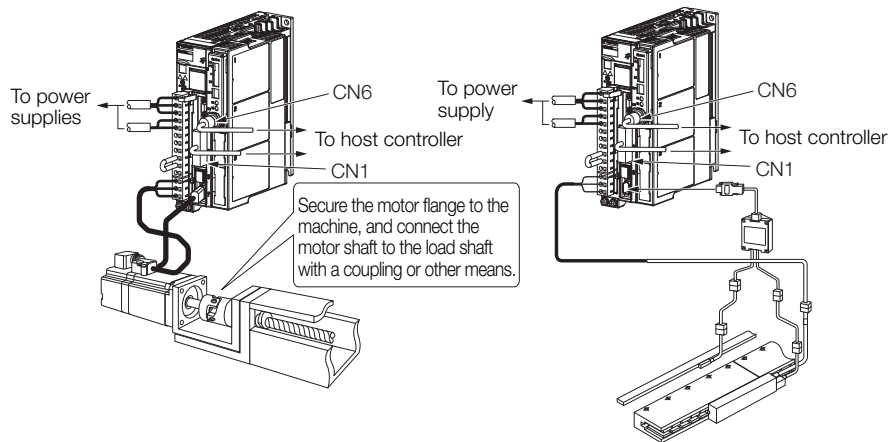
- Make sure that the procedure described in *7.4 Trial Operation with DeviceNet Communications* on page 7-9 has been completed.
- Make sure that the SERVOPACK is connected correctly to both the host controller and the peripheral devices.
 - Safety Function Wiring
 - If you are not using the safety function, leave the Safety Jumper Connector (provided as an accessory with the SERVOPACK) connected to CN8.
 - If you are using the safety function, remove the Safety Jumper Connector from CN8 and connect the safety function device.
 - Overtravel wiring
 - Brake wiring
 - Emergency stop circuit wiring
 - Host controller wiring

7.5.3 Operating Procedure

1. Enable the overtravel signals.
 5.10.2 *Setting to Enable/Disable Overtravel* on page 5-29
2. Make the settings for the protective functions, such as the safety function, overtravel, and the brake.
 4.6 *Connecting Safety Function Signals* on page 4-37
 5.10 *Overtravel and Related Settings* on page 5-28
 5.11 *Holding Brake* on page 5-30

3. Turn OFF the power supplies to the SERVOPACK.
 The control power supply and main circuit power supply will turn OFF.

4. Couple the Servomotor to the machine.



5. Turn ON the power supplies to the machine and host controller and turn ON the control power supply and main circuit power supply to the SERVOPACK.
6. Check the protective functions, such as overtravel and the brake, to confirm that they operate correctly.
 Note: Enable activating an emergency stop so that the Servomotor can be stopped safely should an error occur during the remainder of the procedure.
7. Perform trial operation according to 7.4 *Trial Operation with DeviceNet Communications* on page 7-9 and confirm that the same results are obtained as when trial operation was performed on the Servomotor without a load.
8. If necessary, adjust the servo gain to improve the Servomotor response characteristics. The Servomotor and machine may not be broken in completely for the trial operation. Therefore, let the system run for a sufficient amount of time to ensure that it is properly broken in.
9. For future maintenance, save the parameter settings with one of the following methods.
 - Use the SigmaWin+ to save the parameters as a file.
 - Use the Parameter Copy Mode of the Digital Operator.
 - Record the settings manually.

This concludes the procedure for trial operation with both the machine and Servomotor.

7.6 Convenient Function to Use during Trial Operation

This section describes some convenient operations that you can use during trial operation. Use them as required.

7.6.1 Program Jogging

You can use program jogging to perform continuous operation with a preset operation pattern, travel distance, movement speed, acceleration/deceleration time, waiting time, and number of movements.

You can use this operation when you set up the system in the same way as for normal jogging to move the Servomotor without connecting it to the host controller in order to check Servomotor operation and execute simple positioning operations.

Preparations

Always check the following before you execute program jogging.

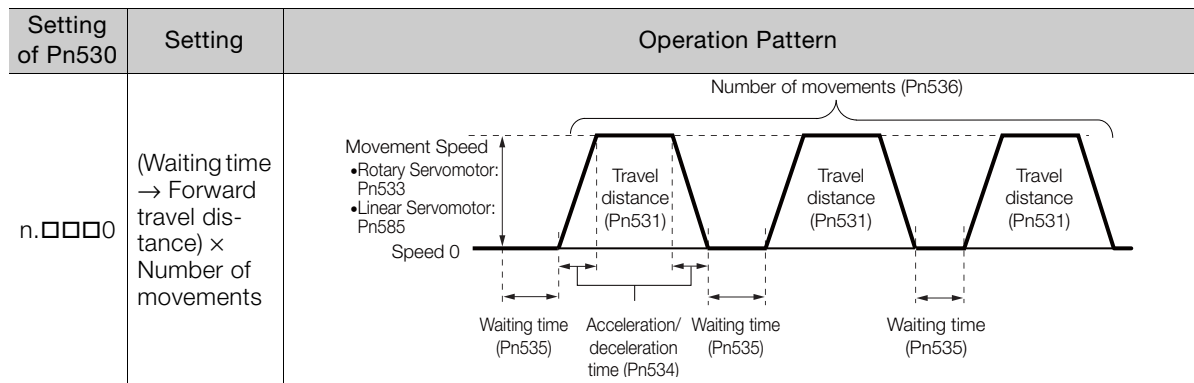
- The parameters must not be write prohibited.
- The main circuit power supply must be ON.
- There must be no alarms.
- There must be no hard wire base block (HWBB).
- The servo must be OFF.
- The range of machine motion and the safe movement speed of your machine must be considered when you set the travel distance and movement speed.
- There must be no overtravel.

Additional Information

- You can use the functions that are applicable to position control, such as the position reference filter.
- The overtravel function is enabled.
For overtravel, the rotation direction is the direction as viewed from the load end of the Servomotor.
- The software limits are disabled.

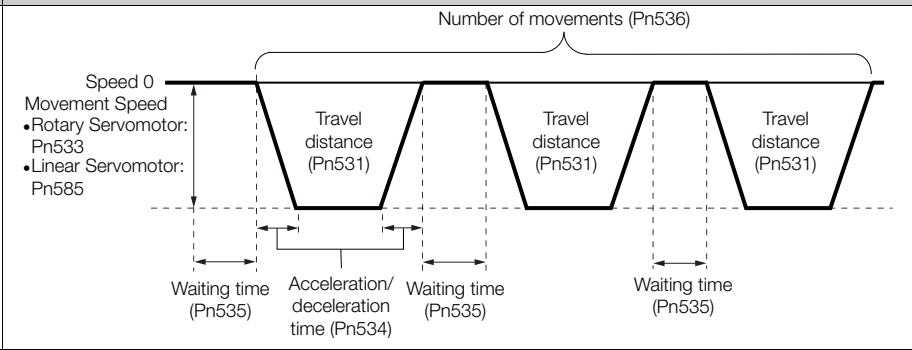
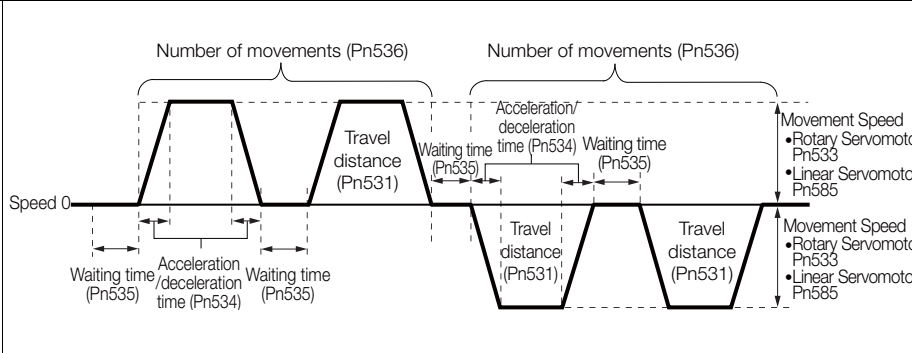
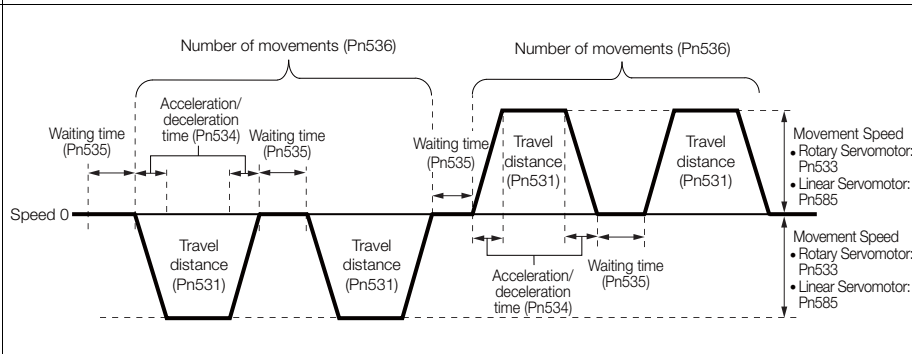
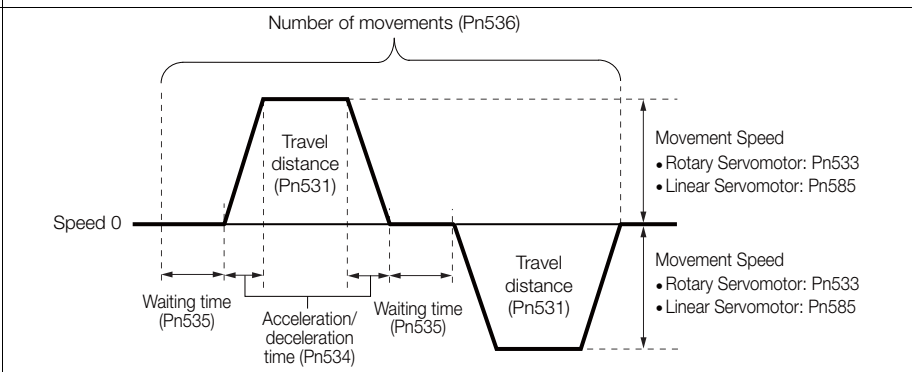
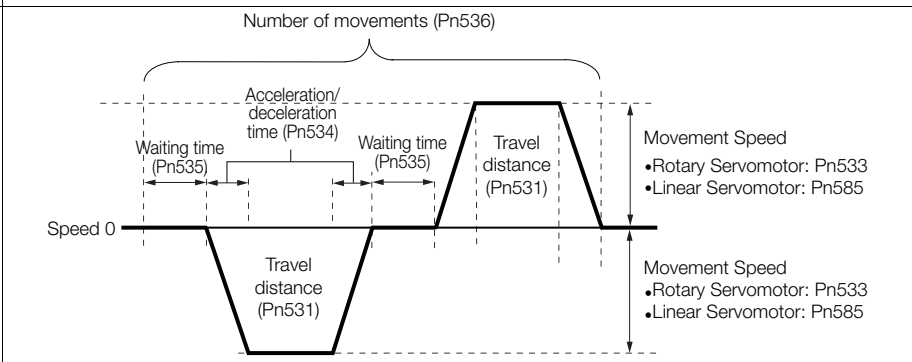
Program Jogging Operation Pattern

An example of a program jogging operation pattern is given below. In this example, the Servomotor direction is set to Pn000 = n.□□□0 (Use CCW as the forward direction).



Continued on next page.

Continued from previous page.

Setting of Pn530	Setting	Operation Pattern
n.□□□1	(Waiting time → Reverse by travel distance) × Number of movements	
n.□□□2	(Waiting time → Forward by travel distance) × Number of movements → (Waiting time → Reverse by travel distance) × Number of movements	
n.□□□3	(Waiting time → Reverse by travel distance) × Number of movements → (Waiting time → Forward by travel distance) × Number of movements	
n.□□□4	(Waiting time → Forward by travel distance → Reverse by travel distance) × Number of movements	
n.□□□5	(Waiting time → Reverse by travel distance → Forward by travel distance) × Number of movements	

Information

If Pn530 is set to n.□□□0, n.□□□1, n.□□□4, or n.□□□5, you can set Pn536 (Program Jogging Number of Movements) to 0 to perform infinite time operation. You cannot use infinite time operation if Pn530 is set to n.□□□2 or n.□□□3. If you perform infinite time operation from the Digital Operator, press the **JOG/SVON** Key to turn OFF the servo to end infinite time operation.

Related Parameters

Use the following parameters to set the program jogging operation pattern. Do not change the settings while the program jogging operation is being executed.

- Rotary Servomotors

Pn530	Program Jogging-Related Selections				
	Setting Range	Setting Unit	Default Setting	When Enabled	Classification
	0000 to 0005	–	0000	Immediately	Setup
Pn531	Program Jogging Travel Distance				
	Setting Range	Setting Unit	Default Setting	When Enabled	Classification
	1 to 1,073,741,824	1 reference unit	32,768	Immediately	Setup
Pn533	Program Jogging Movement Speed				
	Setting Range	Setting Unit	Default Setting	When Enabled	Classification
	1 to 10,000	1 min ⁻¹	500	Immediately	Setup
Pn534	Program Jogging Acceleration/Deceleration Time				
	Setting Range	Setting Unit	Default Setting	When Enabled	Classification
	2 to 10,000	1 ms	100	Immediately	Setup
Pn535	Program Jogging Waiting Time				
	Setting Range	Setting Unit	Default Setting	When Enabled	Classification
	0 to 10,000	1 ms	100	Immediately	Setup
Pn536	Program Jogging Number of Movements				
	Setting Range	Setting Unit	Default Setting	When Enabled	Classification
	0 to 1,000	1	1	Immediately	Setup

- Direct Drive Servomotors



Pn530	Program Jogging-Related Selections				
	Setting Range	Setting Unit	Default Setting	When Enabled	Classification
	0000 to 0005	–	0000	Immediately	Setup
Pn531	Program Jogging Travel Distance				
	Setting Range	Setting Unit	Default Setting	When Enabled	Classification
	1 to 1,073,741,824	1 reference unit	32,768	Immediately	Setup
Pn533	Program Jogging Movement Speed				
	Setting Range	Setting Unit	Default Setting	When Enabled	Classification
	1 to 10,000	0.1 min ⁻¹	500	Immediately	Setup
Pn534	Program Jogging Acceleration/Deceleration Time				
	Setting Range	Setting Unit	Default Setting	When Enabled	Classification
	2 to 10,000	1 ms	100	Immediately	Setup
Pn535	Program Jogging Waiting Time				
	Setting Range	Setting Unit	Default Setting	When Enabled	Classification
	0 to 10,000	1 ms	100	Immediately	Setup
Pn536	Program Jogging Number of Movements				
	Setting Range	Setting Unit	Default Setting	When Enabled	Classification
	0 to 1,000	1	1	Immediately	Setup

- Linear Servomotors

Pn530	Program Jogging-Related Selections				
	Setting Range	Setting Unit	Default Setting	When Enabled	Classification
	0000 to 0005	–	0000	Immediately	Setup
Pn531	Program Jogging Travel Distance				
	Setting Range	Setting Unit	Default Setting	When Enabled	Classification
	1 to 1,073,741,824	1 reference unit	32,768	Immediately	Setup
Pn585	Program Jogging Movement Speed				
	Setting Range	Setting Unit	Default Setting	When Enabled	Classification
	1 to 10,000	1 mm/s	50	Immediately	Setup
Pn534	Program Jogging Acceleration/Deceleration Time				
	Setting Range	Setting Unit	Default Setting	When Enabled	Classification
	2 to 10,000	1 ms	100	Immediately	Setup
Pn535	Program Jogging Waiting Time				
	Setting Range	Setting Unit	Default Setting	When Enabled	Classification
	0 to 10,000	1 ms	100	Immediately	Setup
Pn536	Program Jogging Number of Movements				
	Setting Range	Setting Unit	Default Setting	When Enabled	Classification
	0 to 1,000	1	1	Immediately	Setup


Applicable Tools

The following table lists the tools that you can use to perform program jogging and the applicable tool functions.

Tool	Function	Reference
Digital Operator	Fn004	 Σ -7-Series Digital Operator Operating Manual (Manual No.: SIEP S800001 33)
SigmaWin+	Test Run - Program JOG Operation	 Operating Procedure on page 7-15

Operating Procedure

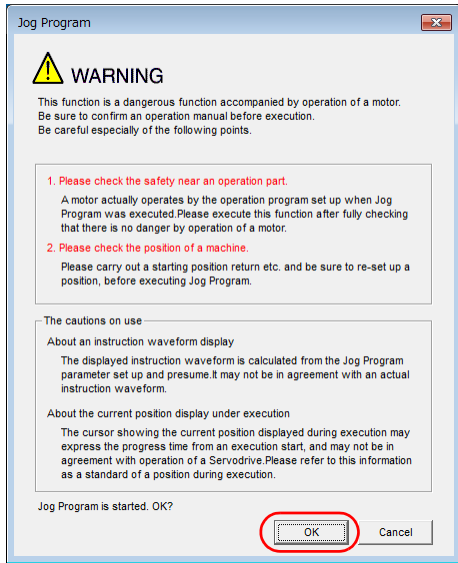
Use the following procedure for a program jog operation.

1. Click the  Servo Drive Button in the workspace of the Main Window of the SigmaWin+.
2. Select **JOG Program** in the Menu Dialog Box.
The Jog Program Dialog Box will be displayed.

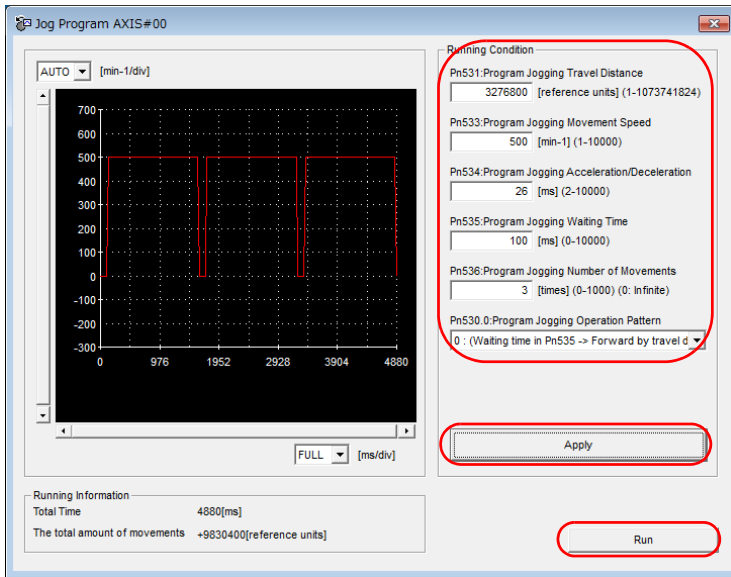
7.6 Convenient Function to Use during Trial Operation

7.6.1 Program Jogging

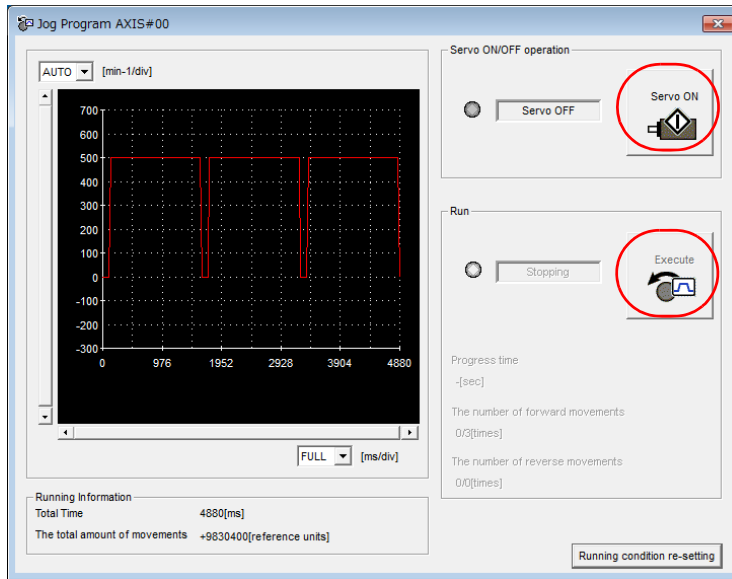
3. Read the warnings and then click the OK Button.



4. Set the operating conditions, click the Apply Button, and then click the Run Button. A graph of the operation pattern will be displayed.



5. Click the **Servo ON** Button and then the **Execute** Button. The program jogging operation will be executed.



⚠ CAUTION

- Be aware of the following points if you cancel the program jogging operation while the motor is operating.
 - If you cancel operation with the **Servo OFF** Button, the motor will stop according to setting of the Servo OFF stopping method (Pn001 = n.□□□X).
 - If you cancel operation with the **Cancel** Button, the motor will decelerate to a stop and then enter a zero-clamped state.

This concludes the program jogging procedure.

7.6.2 Origin Search

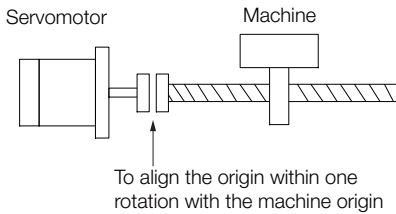
The origin search operation positions the motor to the origin within one rotation and the clamps it there.

⚠ CAUTION

- Make sure that the load is not coupled when you execute an origin search.
The CCW Drive Prohibit (CCW-OT) signal and CW Drive Prohibit (CW-OT) signal are disabled during an origin search.

Use an origin search when it is necessary to align the origin within one rotation with the machine origin.

- Rotary Servomotors: 60 min⁻¹
- Direct Drive Servomotors: 6 min⁻¹
- Linear Servomotors: 15 mm/s



Preparations

Always check the following before you execute an origin search.

- The parameters must not be write prohibited.
- The main circuit power supply must be ON.
- There must be no alarms.
- There must be no hard wire base block (HWBB).
- The servo must be OFF.


Applicable Tools

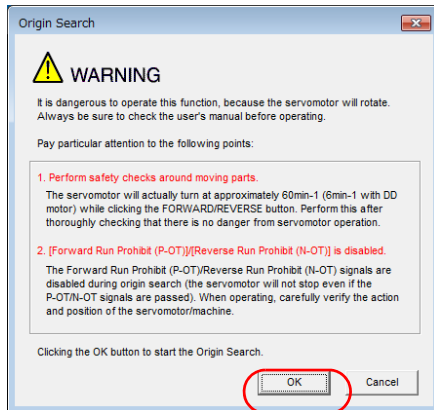
The following table lists the tools that you can use to perform an origin search and the applicable tool functions.

Tool	Function	Reference
Digital Operator	Fn003	Σ-7-Series Digital Operator Operating Manual (Manual No.: SIEP S800001 33)
SigmaWin+	Setup - Origin Search	Operating Procedure on page 7-19

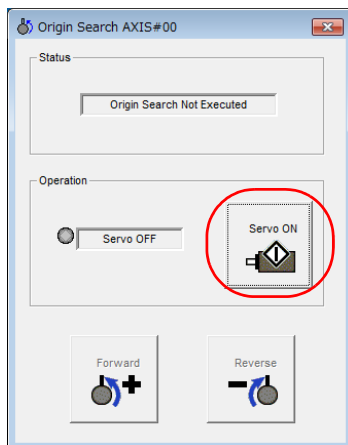
Operating Procedure

Use the following procedure to perform an origin search.

1. Click the  Servo Drive Button in the workspace of the Main Window of the SigmaWin+.
2. Select **Search Origin** in the Menu Dialog Box.
The Origin Search Dialog Box will be displayed.
3. Read the warnings and then click the **OK** Button.

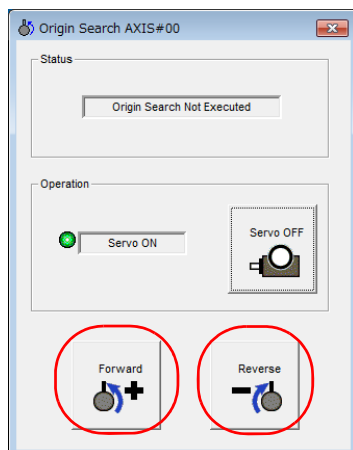


4. Click the **Servo ON** Button.



5. Click the **Forward** Button or the **Reverse** Button.

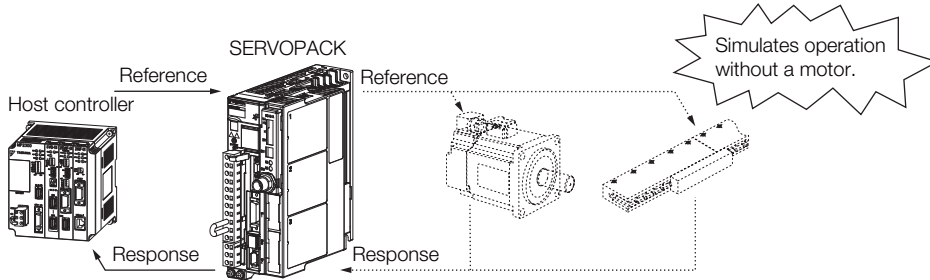
An origin search will be performed only while you hold down the mouse button. The motor will stop when the origin search has been completed.



This concludes the origin search procedure.

7.6.3 Test without a Motor

A test without a motor is used to check the operation of the host controller and peripheral devices by simulating the operation of the Servomotor in the SERVOPACK, i.e., without actually operating a Servomotor. This test allows you to check wiring, debug the system, and verify parameters to shorten the time required for setup work and to prevent damage to the machine that may result from possible malfunctions. The operation of the motor can be checked with this test regardless of whether the motor is actually connected or not.



Use Pn00C = n.□□□X to enable or disable the test without a motor.

Parameter	Meaning	When Enabled	Classification
Pn00C	n.□□□0 (default setting)	After restart	Setup
	n.□□□1		

Information An asterisk is displayed on the status display of the Digital Operator while a test without a motor is being executed.

Motor Information and Encoder Information

The motor and encoder information is used during tests without a motor. The source of the information depends on the device connection status.

• Rotary Servomotor

Motor Connection Status	Information That Is Used	Source of Information
Connected	Motor information • Rated motor speed • Maximum motor speed	Information in the motor that is connected
	Encoder information • Encoder resolution • Encoder type	
Not connected	Motor information • Rated motor speed • Maximum motor speed	<ul style="list-style-type: none"> Setting of Pn000 = n.X□□□ (Rotary/Linear Startup Selection When Encoder Is Not Connected) Rated motor speed and maximum motor speed The values previously saved in the SERVOPACK will be used for the rated motor speed and maximum motor speed. Use the motor displays (Un020: Rated Motor Speed and Un021: Maximum Motor Speed) to check the values.
	Encoder information • Encoder resolution • Encoder type	<ul style="list-style-type: none"> Encoder resolution: Setting of Pn00C = n.□□X□ (Encoder Resolution for Tests without a Motor) Encoder type: Setting of Pn00C = n.□X□□ (Encoder Type Selection for Tests without a Motor)

If you use fully-closed loop control, the external encoder information is also used.

External Encoder Connection Status	Information That Is Used	Source of Information
Connected	External encoder information	Information in the external encoder that is connected
Not connected	<ul style="list-style-type: none"> Resolution Encoder type 	<ul style="list-style-type: none"> Resolution: 256 Encoder type: Incremental encoder

- Linear Servomotors

Motor Connection Status	Information That Is Used	Source of Information
Connected	Motor information	Information in the motor that is connected
	Linear encoder information <ul style="list-style-type: none"> Resolution Encoder pitch Encoder type 	Information in the linear encoder that is connected
Not connected	Motor information	Setting of Pn000 = n.X□□□ (Rotary/Linear Startup Selection When Encoder Is Not Connected)
	Linear encoder information <ul style="list-style-type: none"> Resolution Encoder pitch Encoder type 	<ul style="list-style-type: none"> Resolution: 256 Encoder pitch: Setting of Pn282 (Linear Encoder Pitch) Encoder type: Setting of Pn00C = n.□X□□ (Encoder Type Selection for Tests without a Motor)

- Related Parameters

Parameter	Meaning	When Enabled	Classification
Pn000	n.0□□□ (default setting)	After restart	Setup
	n.1□□□		

Pn282	Linear Encoder Pitch				
	Setting Range	Setting Unit	Default Setting	When Enabled	Classification
	0 to 6,553,600	0.01 μm	0	After restart	Setup

Parameter	Meaning	When Enabled	Classification
Pn00C	n.□□0□ (default setting)	After restart	Setup
	n.□□1□		
	n.□□2□		
	n.□□3□		
	n.□0□□ (default setting)		
	n.□1□□		

Motor Position and Speed Responses

For a test without a motor, the following responses are simulated for references from the host controller according to the gain settings for position or speed control.

- Servomotor position
- Motor speed
- External encoder position

The load model will be for a rigid system with the moment of inertia ratio that is set in Pn103.

Restrictions

The following functions cannot be used during the test without a motor.

- Regeneration and dynamic brake operation
- Brake output signal

Refer to the following section for information on confirming the brake output signal.

 9.2.3 I/O Signal Monitor on page 9-6

- Items marked with “x” in the following utility function table

Button in Menu Dialog Box	SigmaWin+ Function Name	Digital Operator		Executable?		Reference
		Fn No.	Utility Function Name	Motor Not Connected	Motor Connected	
Setup	Origin Search	Fn003	Origin Search	○	○	page 7-18
	Resetting the Absolute Encoder	Fn008	Reset Absolute Encoder	×	○	page 5-46
	Analog Monitor Output Adjustment	Fn00C	Adjust Analog Monitor Output Offset	○	○	page 9-10
		Fn00D	Adjust Analog Monitor Output Gain	○	○	page 9-10
	Motor Current Detection Offset Adjustment	Fn00E	Autotune Motor Current Detection Signal Offset	×	○	page 6-30
		Fn00F	Manually Adjust Motor Current Detection Signal Offset	×	○	
	Parameter Write Prohibition Setting	Fn010	Write Prohibition Setting	○	○	page 5-8
	Multiturn Limit Setting	Fn013	Multiturn Limit Setting after Multiturn Limit Disagreement Alarm	×	○	page 6-20
	Reset Configuration Error of Option Module	Fn014	Reset Option Module Configuration Error	○	○	page 14-46
	Initializing the Vibration Detection Level	Fn01B	Initialize Vibration Detection Level	×	×	page 6-26
	Setting the Origin of the Absolute Linear Encoder	Fn020	Set Absolute Linear Encoder Origin	×	○	page 5-48
	Reset Motor Type Alarm	Fn021	Reset Motor Type Alarm	○	○	–
	Software Reset	Fn030	Software Reset	○	○	page 6-24
	Polarity Detection	Fn080	Polarity Detection	×	×	page 5-25
Tuning-less Level Setting	Fn200	Tuning-less Level Setting	×	×	page 8-15	
Easy FFT	Fn206	Easy FFT	×	×	page 8-95	
Parameter	Initialize Servo*	Fn005	Initialize Parameters	○	○	page 5-10
Tuning	Autotuning without Host Reference	Fn201	Advanced Autotuning without Reference	×	×	page 8-23
	Autotuning with Host Reference	Fn202	Advanced Autotuning with Reference	×	×	page 8-34
	Custom Tuning	Fn203	One-Parameter Tuning	×	×	page 8-42
	Adjust Anti-resonance Control	Fn204	Adjust Anti-resonance Control	×	×	page 8-51
	Vibration Suppression	Fn205	Vibration Suppression	×	×	page 8-56

Continued on next page.

Continued from previous page.

SigmaWin+		Digital Operator		Executable?		Reference
Button in Menu Dialog Box	SigmaWin+ Function Name	Fn No.	Utility Function Name	Motor Not Connected	Motor Connected	
Monitoring	Product Information	Fn011	Display Servomotor Model	○	○	page 9-2
		Fn012	Display Software Version	○	○	
		Fn01E	Display SERVOPACK and Servomotor IDs	○	○	page 9-2
		Fn01F	Display Servomotor ID from Feedback Option Module	○	○	
Test Operation	Jogging	Fn002	Jogging	○	○	page 7-6
	Program Jogging	Fn004	Program Jogging	○	○	page 7-12
Alarms	Alarm History Display	Fn000	Display Alarm History	○	○	page 14-44
	Clearing the Alarm History	Fn006	Clear Alarm History	○	○	page 14-45

* The **Initialize** Button will be displayed when you select **Parameters - Edit Parameters** from the menu bar.

Tuning

8

This chapter provides information on the flow of tuning, details on tuning functions, and related operating procedures.

8.1	Overview and Flow of Tuning	8-4
8.1.1	Tuning Functions	8-5
8.1.2	Diagnostic Tool	8-5
8.2	Monitoring Methods	8-6
8.3	Precautions to Ensure Safe Tuning	8-7
8.3.1	Overtravel Settings	8-7
8.3.2	Torque Limit Settings	8-7
8.3.3	Setting the Position Deviation Overflow Alarm Level	8-7
8.3.4	Vibration Detection Level Setting	8-9
8.3.5	Setting the Position Deviation Overflow Alarm Level at Servo ON	8-9
8.4	Tuning-less Function	8-11
8.4.1	Application Restrictions	8-11
8.4.2	Operating Procedure	8-12
8.4.3	Troubleshooting Alarms	8-13
8.4.4	Parameters Disabled by Tuning-less Function	8-14
8.4.5	Automatically Adjusted Function Setting	8-14
8.4.6	Related Parameters	8-14
8.5	Estimating the Moment of Inertia	8-15
8.5.1	Outline	8-15
8.5.2	Restrictions	8-16
8.5.3	Applicable Tools	8-16
8.5.4	Operating Procedure	8-17

8.6 Autotuning without Host Reference 8-23

- 8.6.1 Outline 8-23
- 8.6.2 Restrictions 8-24
- 8.6.3 Applicable Tools 8-25
- 8.6.4 Operating Procedure 8-25
- 8.6.5 Troubleshooting Problems in Autotuning
without a Host Reference 8-29
- 8.6.6 Automatically Adjusted Function Settings 8-31
- 8.6.7 Related Parameters 8-33

8.7 Autotuning with a Host Reference 8-34

- 8.7.1 Outline 8-34
- 8.7.2 Restrictions 8-35
- 8.7.3 Applicable Tools 8-35
- 8.7.4 Operating Procedure 8-36
- 8.7.5 Troubleshooting Problems in Autotuning
with a Host Reference 8-40
- 8.7.6 Automatically Adjusted Function Settings 8-40
- 8.7.7 Related Parameters 8-41

8.8 Custom Tuning 8-42

- 8.8.1 Outline 8-42
- 8.8.2 Preparations 8-42
- 8.8.3 Applicable Tools 8-43
- 8.8.4 Operating Procedure 8-43
- 8.8.5 Automatically Adjusted Function Settings 8-49
- 8.8.6 Tuning Example for Tuning Mode 2 or 3 8-49
- 8.8.7 Related Parameters 8-50

8.9 Anti-Resonance Control Adjustment 8-51

- 8.9.1 Outline 8-51
- 8.9.2 Preparations 8-51
- 8.9.3 Applicable Tools 8-52
- 8.9.4 Operating Procedure 8-52
- 8.9.5 Related Parameters 8-54
- 8.9.6 Suppressing Different Vibration Frequencies
with Anti-resonance Control 8-54

8.10 Vibration Suppression 8-56

- 8.10.1 Outline 8-56
- 8.10.2 Preparations 8-57
- 8.10.3 Applicable Tools 8-57
- 8.10.4 Operating Procedure 8-57
- 8.10.5 Related Parameters 8-59

8.11 Speed Ripple Compensation 8-60

- 8.11.1 Outline 8-60
- 8.11.2 Setting Up Speed Ripple Compensation 8-60
- 8.11.3 Setting Parameters 8-64

8.12 Additional Adjustment Functions 8-66

- 8.12.1 Automatic Gain Switching 8-66
- 8.12.2 Friction Compensation 8-69
- 8.12.3 Gravity Compensation 8-71
- 8.12.4 Current Control Mode Selection 8-73
- 8.12.5 Current Gain Level Setting 8-73
- 8.12.6 Speed Detection Method Selection 8-74
- 8.12.7 Speed Feedback Filter 8-74
- 8.12.8 Backlash Compensation 8-74

8.13 Manual Tuning 8-79

- 8.13.1 Tuning the Servo Gains 8-79
- 8.13.2 Compatible Adjustment Functions 8-89

8.14 Diagnostic Tools 8-93

- 8.14.1 Mechanical Analysis 8-93
- 8.14.2 Easy FFT 8-95

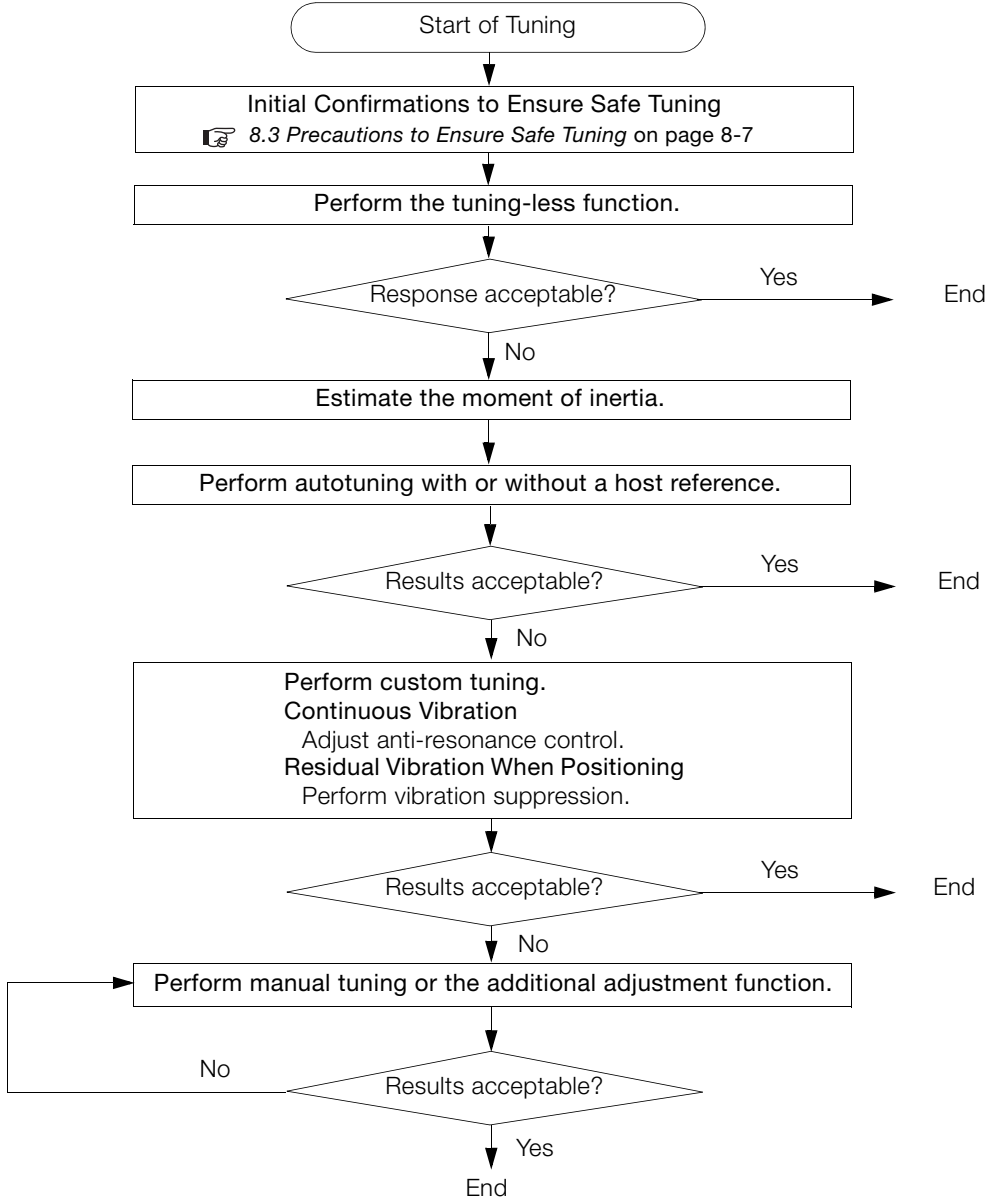
8.1 Overview and Flow of Tuning

Tuning is performed to optimize response by adjusting the servo gains in the SERVOPACK.

The servo gains are set using a combination of parameters, such as parameters for the speed loop gain, position loop gain, filters, friction compensation, and moment of inertia ratio. These parameters influence each other, so you must consider the balance between them.

The servo gains are set to stable settings by default. Use the various tuning functions to increase the response even further for the conditions of your machine.

The basic tuning procedure is shown in the following flowchart. Make suitable adjustments considering the conditions and operating requirements of your machine.



8.1.1 Tuning Functions

The following table provides an overview of the tuning functions.

Tuning Function	Outline	Reference
Tuning-less Function	This automatic adjustment function is designed to enable stable operation without servo tuning. This function can be used to obtain a stable response regardless of the type of machine or changes in the load. You can use it with the default settings.	page 8-11
Moment of Inertia Estimation	The moment of inertia ratio is calculated by operating the Servomotor a few times. The moment of inertia ratio that is calculated here is used in other tuning functions.	page 8-15
Autotuning without Host Reference	The following parameters are automatically adjusted in the internal references in the SERVOPACK during automatic operation. <ul style="list-style-type: none"> • Gains (e.g., position loop gain and speed loop gain) • Filters (torque reference filter and notch filters) • Friction compensation • Anti-resonance control • Vibration suppression 	page 8-23
Autotuning with Host Reference	The following parameters are automatically adjusted with the position reference input from the host controller while the machine is in operation. You can use this function for fine-tuning after you perform autotuning without a host reference. <ul style="list-style-type: none"> • Gains (e.g., position loop gain and speed loop gain) • Filters (torque reference filter and notch filters) • Friction compensation • Anti-resonance control • Vibration suppression 	page 8-34
Custom Tuning	The following parameters are adjusted with the position reference or speed reference input from the host controller while the machine is in operation. <ul style="list-style-type: none"> • Gains (e.g., position loop gain and speed loop gain) • Filters (torque reference filter and notch filters) • Friction compensation • Anti-resonance control 	page 8-42
Anti-resonance Control Adjustment	This function effectively suppresses continuous vibration.	page 8-51
Vibration Suppression	This function effectively suppresses residual vibration if it occurs when positioning.	page 8-56
Speed Ripple Compensation	This function reduces the ripple in the motor speed.	page 8-60
Additional Adjustment Function	This function combines autotuning with custom tuning. You can use it to improve adjustment results.	page 8-66
Manual Tuning	You can manually adjust the servo gains to adjust the response.	page 8-79

8.1.2 Diagnostic Tool

You can use the following tools to measure the frequency characteristics of the machine and set notch filters.

Diagnostic Tool	Outline	Reference
Mechanical Analysis	The machine is subjected to vibration to detect resonance frequencies. The measurement results are displayed as waveforms or numeric data.	page 8-93
Easy FFT	The machine is subjected to vibration to detect resonance frequencies. The measurement results are displayed only as numeric data.	page 8-95

8.2 Monitoring Methods

You can use the data tracing function of the SigmaWin+ or the analog monitor signals of the SERVOPACK for monitoring. If you perform custom tuning or manual tuning, always use the above functions to monitor the machine operating status and SERVOPACK signal waveform while you adjust the servo gains.

Check the adjustment results with the following response waveforms.

Item	Unit	
	Rotary Servomotor	Linear Servomotor
Torque reference	%	
Feedback speed	min ⁻¹	mm/s
Position reference speed	min ⁻¹	mm/s
Position deviation	Reference units	

8.3

Precautions to Ensure Safe Tuning

 **CAUTION**

- Observe the following precautions when you perform tuning.
 - Do not touch the rotating parts of the motor when the servo is ON.
 - Before starting the Servomotor, make sure that an emergency stop can be performed at any time.
 - Make sure that trial operation has been successfully performed without any problems.
 - Provide an appropriate stopping device on the machine to ensure safety.

Perform the following settings in a way that is suitable for tuning.

8.3.1 Overtravel Settings

Overtravel settings are made to force the Servomotor to stop for a signal input from a limit switch when a moving part of the machine exceeds the safe movement range.

Refer to the following section for details.

 5.10 *Overtravel and Related Settings* on page 5-28

8.3.2 Torque Limit Settings

You can limit the torque that is output by the Servomotor based on calculations of the torque required for machine operation. You can use torque limits to reduce the amount of shock applied to the machine when problems occur, such as collisions or interference. If the torque limit is lower than the torque that is required for operation, overshooting or vibration may occur.

Refer to the following section for details.

 6.7 *Internal Torque Limits* on page 6-17

8.3.3 Setting the Position Deviation Overflow Alarm Level

The position deviation overflow alarm is a protective function that is enabled when the SERVOPACK is used in position control.

If the alarm level is set to a suitable value, the SERVOPACK will detect excessive position deviation and will stop the Servomotor if the Servomotor operation does not agree with the reference.

The position deviation is the difference between the position reference value and the actual position.

You can calculate the position deviation from the position loop gain (Pn102) and the motor speed with the following formula.

• Rotary Servomotors

$$\text{Position deviation [reference units]} = \frac{\text{Motor speed [min}^{-1}\text{]}}{60} \times \frac{\text{Encoder resolution}^{*1}}{\text{Pn102 [0.1/s/10}^{*2, *3}} \times \frac{\text{Pn210}}{\text{Pn20E}}$$

• Linear Servomotors

$$\text{Position deviation [reference units]} = \frac{\text{Motor speed [mm/s]}}{\text{Pn102 [0.1/s/10}^{*2, *3}} \times \frac{\text{Resolution}}{\text{Linear encoder pitch [\mu m]/1,000}} \times \frac{\text{Pn210}}{\text{Pn20E}}$$

8.3.3 Setting the Position Deviation Overflow Alarm Level

Position Deviation Overflow Alarm Level (Pn520) [setting unit: reference units]


• Rotary Servomotors

$$Pn520 > \frac{\text{Maximum motor speed [min}^{-1}\text{]}}{60} \times \frac{\text{Encoder resolution}^{*1}}{Pn102 [0.1/s/10^{*2}, *3]} \times \frac{Pn210}{Pn20E} \times \underline{\underline{(1.2 \text{ to } 2)^{*4}}}$$

• Linear Servomotors

$$Pn520 > \frac{\text{Maximum motor speed [mm/s]}}{Pn102 [0.1/s/10^{*2}, *3]} \times \frac{\text{Resolution}}{\text{Linear encoder pitch [\mu m]/1,000}} \times \frac{Pn210}{Pn20E} \times \underline{\underline{(1.2 \text{ to } 2)^{*4}}}$$

*1. Refer to the following section for details.

 5.14 Electronic Gear Settings on page 5-40

*2. When model following control (Pn140 = n.□□□1) is enabled, use the setting of Pn141 (Model Following Control Gain) instead of the setting of Pn102 (Position Loop Gain).

*3. To check the setting of Pn102 on the Digital Operator, change the parameter display setting to display all parameters (Pn00B = n.□□□1).

*4. The underlined coefficient “x (1.2 to 2)” adds a margin to prevent an A.d00 alarm (Position Deviation Overflow) from occurring too frequently.

If you set a value that satisfies the formula, an A.d00 alarm (Position Deviation Overflow) should not occur during normal operation.

If the Servomotor operation does not agree with the reference, position deviation will occur, an error will be detected, and the motor will stop.

The following calculation example uses a Rotary Servomotor with a maximum motor speed of

6,000 and an encoder resolution of 16,777,216 (24 bits). Pn102 is set to 400. $\frac{Pn210}{Pn20E} = \frac{1}{1}$

$$\begin{aligned} Pn520 &= \frac{6,000}{60} \times \frac{16,777,216}{400/10} \times \frac{1}{16} \times 2 \\ &= 2,621,440 \times 2 \\ &= 5,242,880 \text{ (default setting of Pn520)} \end{aligned}$$

If the acceleration/deceleration rate required for the position reference exceeds the tracking capacity of the Servomotor, the tracking delay will increase and the position deviation will no longer satisfy the above formulas. If this occurs, lower the acceleration/deceleration rate so that the Servomotor can follow the position reference or increase the position deviation overflow alarm level.

Related Parameters

Pn520	Position Deviation Overflow Alarm Level				
	Setting Range	Setting Unit	Default Setting	When Enabled	Classification
	1 to 1,073,741,823	1 reference unit	5,242,880	Immediately	Setup
Pn51E	Position Deviation Overflow Warning Level				
	Setting Range	Setting Unit	Default Setting	When Enabled	Classification
	10 to 100	1%	100	Immediately	Setup

Related Alarms

Alarm Number	Alarm Name	Alarm Meaning
A.d00	Position Deviation Overflow	This alarm occurs if the position deviation exceeds the setting of Pn520 (Position Deviation Overflow Alarm Level).


Related Warnings

Warning Number	Warning Name	Meaning
A.900	Position Deviation Overflow	This warning occurs if the position deviation exceeds the specified percentage (Pn520 × Pn51E/100).

8.3.4 Vibration Detection Level Setting

You can set the vibration detection level (Pn312) to more accurately detect A.520 alarms (Vibration Alarm) and A.911 warnings (Vibration Warning) when vibration is detected during machine operation.

Set the initial vibration detection level to an appropriate value. Refer to the following section for details.

 6.11 Initializing the Vibration Detection Level on page 6-26

8.3.5 Setting the Position Deviation Overflow Alarm Level at Servo ON

If the servo is turned ON when there is a large position deviation, the Servomotor will attempt to return to the original position to bring the position deviation to 0, which may create a hazardous situation. To prevent this, you can set a position deviation overflow alarm level at servo ON to restrict operation.

The related parameters and alarms are given in the following tables.

Related Parameters

Position Deviation Overflow Alarm Level at Servo ON					
Pn526	Setting Range	Setting Unit	Default Setting	When Enabled	Classification
	1 to 1,073,741,823	1 reference unit	5,242,880	Immediately	Setup
Position Deviation Overflow Warning Level at Servo ON					
Pn528	Setting Range	Setting Unit	Default Setting	When Enabled	Classification
	10 to 100	1%	100	Immediately	Setup

• Rotary Servomotors

Speed Limit Level at Servo ON					
Pn529	Setting Range	Setting Unit	Default Setting	When Enabled	Classification
	0 to 10,000	1 min ⁻¹	10,000	Immediately	Setup


• Linear Servomotors

Speed Limit Level at Servo ON					
Pn584	Setting Range	Setting Unit	Default Setting	When Enabled	Classification
	0 to 10,000	1 mm/s	10,000	Immediately	Setup

Related Alarms

Alarm Number	Alarm Name	Alarm Meaning
A.d01	Position Deviation Overflow Alarm at Servo ON	This alarm occurs if the servo is turned ON after the position deviation exceeded the setting of Pn526 (Excessive Position Deviation Alarm Level at Servo ON) while the servo was OFF.
A.d02	Position Deviation Overflow Alarm for Speed Limit at Servo ON	If position deviation remains in the deviation counter, the setting of Pn529 or Pn584 (Speed Limit Level at Servo ON) will limit the speed when the servo is turned ON. This alarm occurs if a position reference is input and the setting of Pn520 (Excessive Position Deviation Alarm Level) is exceeded.

Refer to the following section for information on troubleshooting alarms.

 14.2.3 Resetting Alarms on page 14-43

Related Warnings

Warning Number	Warning Name	Meaning
A.901	Position Deviation Overflow Warning at Servo ON	This warning occurs if the servo is turned ON while the position deviation exceeds the specified percentage ($Pn526 \times Pn528/100$).

8.4 Tuning-less Function

The tuning-less function performs autotuning to obtain a stable response regardless of the type of machine or changes in the load. Autotuning is started when the servo is turned ON.

CAUTION

- The tuning-less function is disabled during torque control.
- The Servomotor may momentarily emit a sound the first time the servo is turned ON after the Servomotor is connected to the machine. This sound is caused by setting the automatic notch filter. It does not indicate a problem. The sound will not be emitted from the next time the servo is turned ON.
- The Servomotor may vibrate if it exceeds the allowable load moment of inertia. If that occurs, set the tuning-less load level to 2 (Pn170 = n.2□□□) or reduce the Tuning-less Rigidity Level (Pn170 = n.□X□□).
- To ensure safety, make sure that you can perform an emergency stop at any time when you execute the tuning-less function.

8.4.1 Application Restrictions

The following application restrictions apply to the tuning-less function.

Function	Executable?	Remarks
Vibration Detection Level Initialization	○	–
Moment of Inertia Estimation	×	Disable the tuning-less function (Pn170 = n.□□□0) before you execute moment of inertia estimation.
Autotuning without Host Reference	×	Disable the tuning-less function (Pn170 = n.□□□0) before you execute autotuning without a host reference.
Autotuning with Host Reference	×	–
Custom Tuning	×	–
Anti-Resonance Control Adjustment	×	–
Vibration Suppression	×	–
Easy FFT	○	The tuning-less function is disabled while you execute Easy FFT and then it is enabled when Easy FFT has been completed.
Friction Compensation	×	–
Gain Selection	×	–
Mechanical Analysis	○	The tuning-less function is disabled while you execute mechanical analysis and then it is enabled when mechanical analysis has been completed.

* ○: Yes ×: No

8.4.2 Operating Procedure

The tuning-less function is enabled in the default settings. No specific procedure is required. You can use the following parameter to enable or disable the tuning-less function.

Parameter		Meaning	When Enabled	Classification
Pn170	n.□□□0	Disable tuning-less function.	After restart	Setup
	n.□□□1 (default setting)	Enable tuning-less function.		
	n.□□0□ (default setting)	Use for speed control.		
	n.□□1□	Use for speed control and use host controller for position control.		

When you enable the tuning-less function, you can select the tuning-less type. Normally, set Pn14F to n.□□2□ (Use tuning-less type 3) (default setting). If compatibility with previous models is required, set Pn14F to n.□□0□ (Use tuning-less type 1) or n.□□1□ (Use tuning-less type 2).

Parameter		Meaning	When Enabled	Classification
Pn14F	n.□□0□	Use tuning-less type 1.	After restart	Tuning
	n.□□1□	Use tuning-less type 2. (The noise level is improved more than with tuning-less type 1.)		
	n.□□2□ (default setting)	Use tuning-less type 3.		

Tuning-less Level Settings

If vibration or other problems occur, change the tuning-less levels. To change the tuning-less levels, use the SigmaWin+.

◆ Preparations


Always check the following before you set the tuning-less levels.

- The tuning-less function must be enabled (Pn170 = n.□□□1).
- The test without a motor function must be disabled (Pn00C = n.□□□0).

◆ Procedure

Use the following procedure to set the tuning-less levels.

In addition to the following procedure, you can also set the parameters directly. Refer to *Related Parameters*, below, for the parameters to set.

1. Click the  Servo Drive Button in the workspace of the Main Window of the SigmaWin+.
2. Select **Response Level Setting** in the Menu Dialog Box.
The Response Level Setting Dialog Box will be displayed.

3. Click the ▲ or ▼ Button to adjust the response level setting. Increase the response level setting to increase the response. Decrease the response level setting to suppress vibration.

The default response level setting is 4.

Response Level Setting	Description	Remarks
7	Response level: High	You cannot select these levels if tuning-less type 1 or 2 (Pn14F = n.□□0□ or n.□□1□) is used.
6		
5		
4 (default setting)		
3		
2		
1		
0	Response level: Low	-

4. Click the **Completed** Button.

The adjustment results will be saved in the SERVOPACK.

◆ Related Parameters

■ Tuning-less Rigidity Level

If you use tuning-less type 1 or 2 (Pn14F = n.□□0□ or n.□□1□), set the tuning-less level to between 0 and 4 (Pn170 = n.□0□□ to n.□4□□). Do not set the tuning-less level to between 5 and 7 (Pn170 = n.□5□□ to n.□7□□).

Parameter	Description	When Enabled	Classification
Pn170	n.□0□□	Immediately	Setup
	n.□1□□		
	n.□2□□		
	n.□3□□		
	n.□4□□ (default setting)		
	n.□5□□		
	n.□6□□		
	n.□7□□		

■ Tuning-less Load Level

Parameter	Description	When Enabled	Classification
Pn170	n.0□□□	Immediately	Setup
	n.1□□□ (default setting)		
	n.2□□□		

8.4.3 Troubleshooting Alarms

An A.521 alarm (Autotuning Alarm) will occur if a resonant sound occurs or if excessive vibration occurs during position control. If an alarm occurs, implement the following measures.

- Resonant Sound
Decrease the setting of Pn170 = n.X□□□ or the setting of Pn170 = n.□X□□.
- Excessive Vibration during Position Control
Increase the setting of Pn170 = n.X□□□ or decrease the setting of Pn170 = n.□X□□.

8.4.4 Parameters Disabled by Tuning-less Function

When the tuning-less function is enabled (Pn170 = n.□□□1) (default setting), the parameters in the following table are disabled.

Item	Parameter Name	Parameter Number
Gain-Related Parameters	Speed Loop Gain	Pn100
	Second Speed Loop Gain	Pn104
	Speed Loop Integral Time Constant	Pn101
	Second Speed Loop Integral Time Constant	Pn105
	Position Loop Gain	Pn102
	Second Position Loop Gain	Pn106
	Moment of Inertia Ratio	Pn103
Advanced Control-Related Parameters	Friction Compensation Function Selection	Pn408 = n.X□□□
	Anti-Resonance Control Selection	Pn160 = n.□□□X
Gain Selection-Related Parameters	Gain Switching Selection	Pn139 = n.□□□X

The tuning-less function is disabled during Easy FFT and mechanical analysis for a vertical axis. The gain-related parameters in the above table are enabled for Easy FFT and mechanical analysis for a vertical axis.

8.4.5 Automatically Adjusted Function Setting

You can also automatically adjust notch filters.

Normally, set Pn460 to n.□1□□ (Adjust automatically) (default setting). Vibration is automatically detected and a notch filter is set.

Set Pn460 to n.□0□□ (Do not adjust automatically) only if you do not change the setting of the notch filter before you execute the tuning-less function.

Parameter	Meaning	When Enabled	Classification
Pn460	n.□0□□	Immediately	Tuning
	n.□1□□ (default setting)		

8.4.6 Related Parameters

The following parameters are automatically adjusted when you execute the tuning-less function.

Do not manually change the settings of these parameters after you have enabled the tuning-less function.

Parameter	Name
Pn401	First Stage First Torque Reference Filter Time Constant
Pn40C	Second Stage Notch Filter Frequency
Pn40D	Second Stage Notch Filter Q Value

8.5 Estimating the Moment of Inertia

This section describes how the moment of inertia is calculated.

The moment of inertia ratio that is calculated here is used in other tuning functions. You can also estimate the moment of inertia during autotuning without a host reference. Refer to the following section for the procedure.

 8.6.4 Operating Procedure on page 8-25

8.5.1 Outline

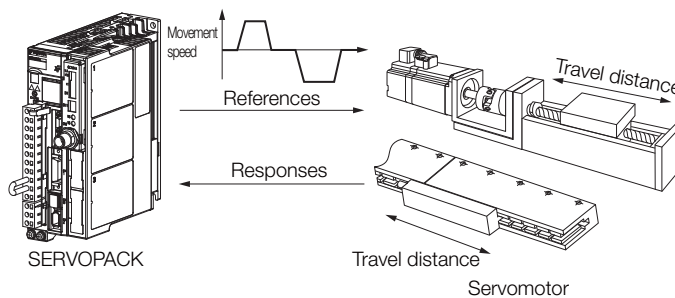
The moment of inertia during operation is automatically calculated by the SERVOPACK for round-trip (forward and reverse) operation. A reference from the host controller is not used.

The moment of inertia ratio (i.e., the ratio of the load moment of inertia to the motor moment of inertia) is a basic parameter for adjusting gains. It must be set as accurately as possible.

Although the load moment of inertia can be calculated from the weight and structure of the mechanisms, doing so is very troublesome and calculating it accurately can be very difficult with the complex mechanical structures that are used these days. With moment of inertia estimation, you can get an accurate load moment of inertia simply by operating the motor in the actual system in forward and reverse a few times.

The motor is operated with the following specifications.

- Maximum speed: $\pm 1,000 \text{ min}^{-1}$ (can be changed)
- Acceleration rate: $\pm 20,000 \text{ min}^{-1}/\text{s}$ (can be changed)
- Travel distance: ± 2.5 rotations max. (can be changed)



Note: Execute moment of inertia estimation after jogging to a position that ensures a suitable range of motion.

8.5.2 Restrictions

The following restrictions apply to estimating the moment of inertia.

Systems for which Execution Cannot Be Performed

- When the machine system can move only in one direction
- When the range of motion is 0.5 rotations or less

Systems for Which Adjustments Cannot Be Made Accurately

- When a suitable range of motion is not possible
- When the moment of inertia changes within the set operating range
- When the machine has high dynamic friction
- When the rigidity of the machine is low and vibration occurs when positioning is performed
- When the position integration function is used
- When mode switching is used

Note: If you specify moment of inertia estimation, mode switching will be disabled and PI control will be used while the moment of inertia is being calculated. Mode switching will be enabled after moment of inertia estimation has been completed.


Preparations

Always check the following before you execute moment of inertia estimation.

- The main circuit power supply must be ON.
- There must be no overtravel.
- The servo must be OFF.
- The gain switching selection must be set to disable automatic gain switching (Pn139 = n.□□□0).
- The first gains must be selected.
- The test without a motor function must be disabled (Pn00C = n.□□□0).
- There must be no alarms or warnings.
- There must be no hard wire base block (HWBB).
- The parameters must not be write prohibited.
- The tuning-less function must be disabled (Pn170 = n.□□□0).

8.5.3 Applicable Tools

The following table lists the tools that you can use to estimate the moment of inertia and the applicable tool functions.

Tool	Function	Operating Procedure Reference
Digital Operator	You cannot estimate the moment of inertia from the Digital Operator.	
SigmaWin+	Tuning - Tuning	 8.5.4 Operating Procedure on page 8-17

8.5.4 Operating Procedure


Use the following procedure to estimate the moment of inertia ratio.

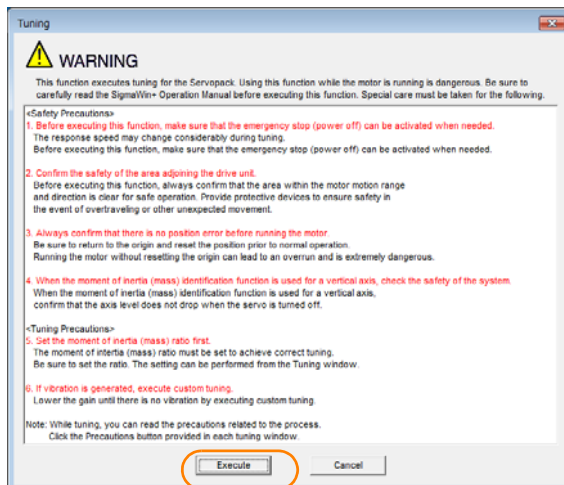
WARNING

- Estimating the moment of inertia requires operating the motor and therefore presents hazards. Observe the following precaution.
 - Confirm safety around moving parts.
This function involves automatic operation with vibration. Make sure that you can perform an emergency stop (to turn OFF the power supply) at any time. There will be movement in both directions within the set range of movement. Check the range of movement and the directions and implement protective controls for safety, such as the overtravel functions.

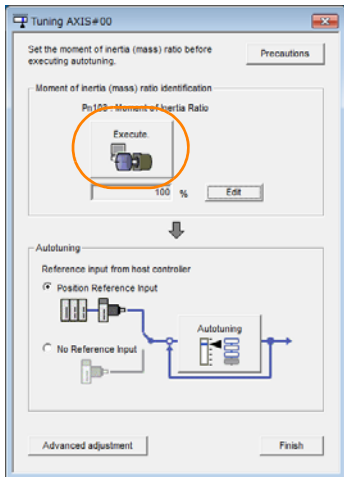
CAUTION

- Be aware of the following points if you cancel the moment of inertia estimation while the motor is operating.
 - If you cancel operation with the **Servo OFF** Button, the motor will stop according to setting of the Servo OFF stopping method (Pn001 = n.□□□X).
 - If you cancel operation with the **Cancel** Button, the motor will decelerate to a stop and then enter a zero-clamped state.

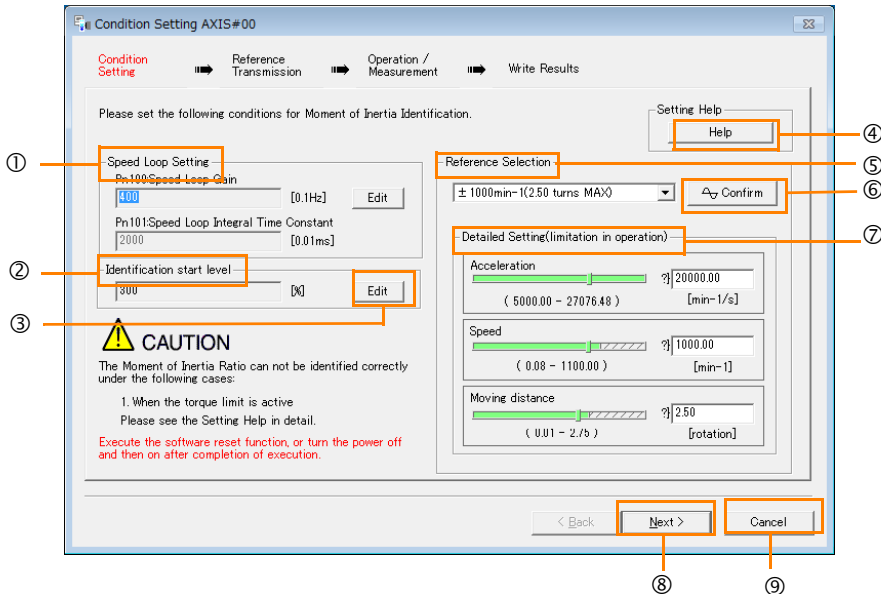
1. Click the  Servo Drive Button in the workspace of the Main Window of the SigmaWin+.
2. Select **Tuning** in the Menu Dialog Box.
The Tuning Dialog Box will be displayed.
Click the **Cancel** Button to cancel tuning.
3. Click the **Execute** Button.



4. Click the **Execute** Button.



5. Set the conditions as required.



- ① **Speed Loop Setting Area**
 Make the speed loop settings in this area.
 If the speed loop response is too bad, it will not be possible to measure the moment of inertia ratio accurately.
 The values for the speed loop response that are required for moment of inertia estimation are set for the default settings. It is normally not necessary to change these settings.
 If the default speed loop gain is too high for the machine (i.e., if vibration occurs), lower the setting. It is not necessary to increase the setting any farther.
- ② **Identification Start Level Group**
 This is the setting of the moment of inertia calculation starting level.
 If the load is large or the machine has low rigidity, the torque limit may be applied, causing moment of inertia estimation to fail.
 If that occurs, estimation may be possible if you double the setting of the start level.
- ③ **Edit Buttons**
 Click the button to display a dialog box to change the settings related to the speed loop or estimation start level.
- ④ **Help Button**
 Click this button to display guidelines for setting the reference conditions. Make the following settings as required.
 - Operate the motor to measure the load moment of inertia of the machine in comparison with the rotor moment of inertia.

- Set the operation mode, reference pattern (maximum acceleration rate, maximum speed, and maximum travel distance), and speed loop-related parameters.
- Correct measurement of the moment of inertia ratio may not be possible depending on the settings. Set suitable settings using the measurement results as reference.

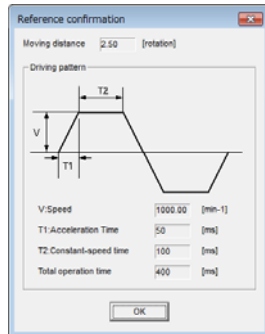
⑤ **Reference Selection Area**

Either select the reference pattern for estimation processing from the box, or set the values in the **Detailed Setting** Group. Generally speaking, the larger the maximum acceleration rate is, the more accurate the moment of inertia estimation will be.

Set the maximum acceleration range within the possible range of movement considering the gear ratio, e.g., the pulley diameters or ball screw pitch.

⑥ **Confirm Button**

Click this button to display the Reference Confirmation Dialog Box.



⑦ **Detailed Setting Area**

You can change the settings by moving the bars or directly inputting the settings to create the required reference pattern.

⑧ **Next Button**

Click this button to display the Reference Transmission Dialog Box.

⑨ **Cancel Button**

Click this button to return to the Tuning Dialog Box.

⚠ CAUTION

- The travel distance is the distance for one operation in the forward or reverse direction. During multiple operations, the operation starting position may move in one direction or the other. Confirm the possible operating range for each measurement or operation.
- Depending on the parameter settings and the moment of inertia of the machine, overshooting and undershooting may occur and may cause the maximum speed setting to be exceeded temporarily. Allow sufficient leeway in the settings.

Information

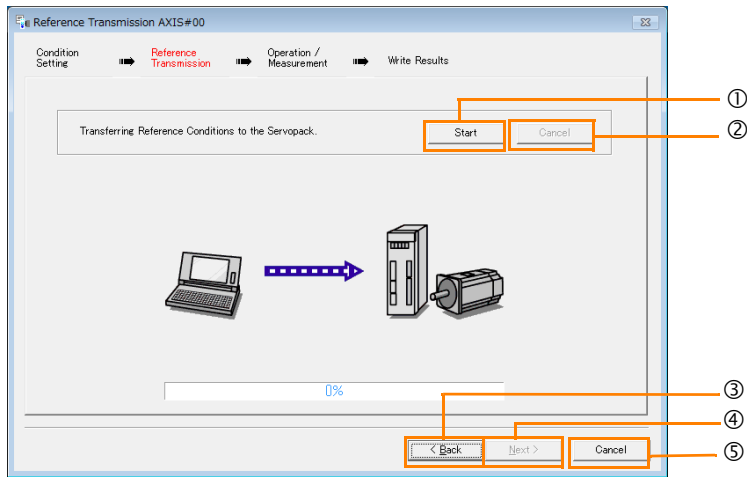
When Measurement Is Not Correct

Estimating the moment of inertia ratio cannot be performed correctly if the torque limit is activated. Adjust the limits or reduce the acceleration rate in the reference selection so that the torque limit is not activated.

6. Click the Next Button.

The Reference Transmission Dialog Box will be displayed.

7. Click the **Start** Button.

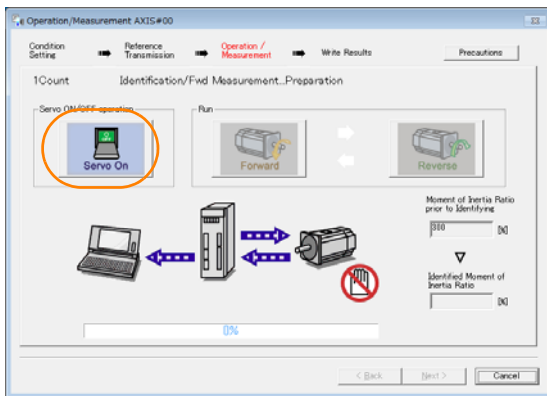


- ① **Start** Button
The reference conditions will be transferred to the SERVOPACK. A progress bar will show the progress of the transfer.
- ② **Cancel** Button
The **Cancel** Button is enabled only while data is being transferred to the SERVOPACK. You cannot use it after the transfer has been completed.
- ③ **Back** Button
This button returns you to the Condition Setting Dialog Box. It is disabled while data is being transferred.
- ④ **Next** Button
This button is enabled only when the data has been transferred correctly. You cannot use it if an error occurs or if you cancel the transfer before it is completed. Click the **Next** Button to display the Operation/Measurement Dialog Box.
- ⑤ **Cancel** Button
This button cancels processing and returns you to the Tuning Dialog Box.

8. Click the **Next** Button.

The Operation/Measurement Dialog Box will be displayed.

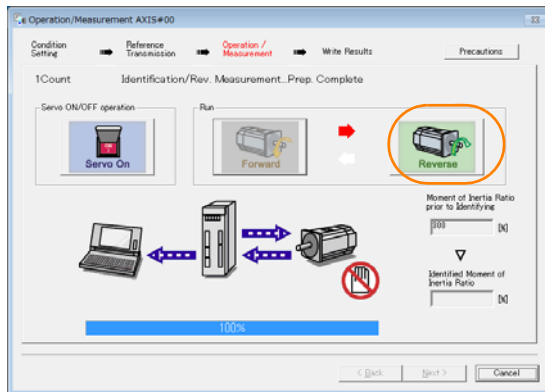
9. Click the **Servo On** Button.



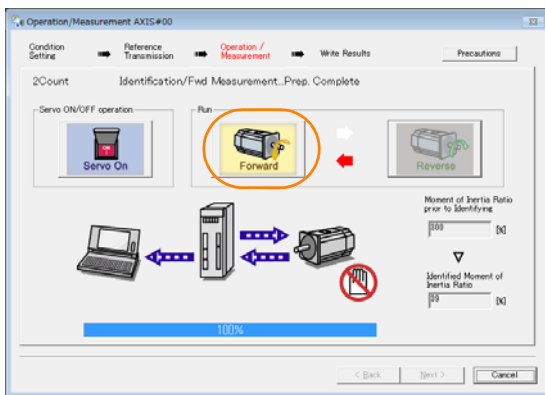
10. Click the **Forward** Button.

The shaft will rotate in the forward direction and the measurement will start. After the measurement and data transfer have been completed, the **Reverse** Button will be displayed in color.

11. Click the Reverse Button.



The shaft will rotate in the reverse direction and the measurement will start. After the measurement and data transfer have been completed, the **Forward** Button will be displayed in color.



12. Repeat steps 9 to 11 until the Next Button is enabled.

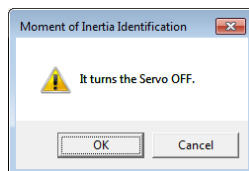
Measurements are performed from 2 to 7 times and then verified. The number of measurements is displayed in upper left corner of the dialog box. A progress bar at the bottom of the dialog box will show the progress of the transfer each time.

13. When the measurements have been completed, click the Servo On Button to turn OFF the servo.

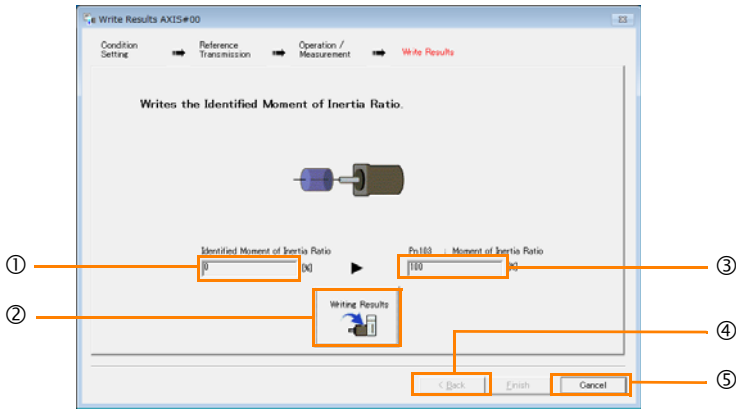
14. Click the Next Button.

The Write Results Dialog Box will be displayed.

Information If you click the **Next** Button before you turn OFF the servo, the following Dialog Box will be displayed. Click the **OK** Button to turn OFF the servo.



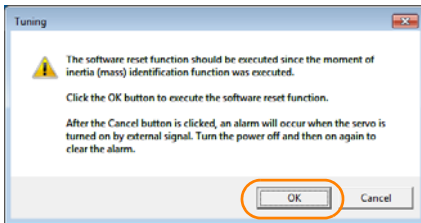
15. Click the **Writing Results** Button.



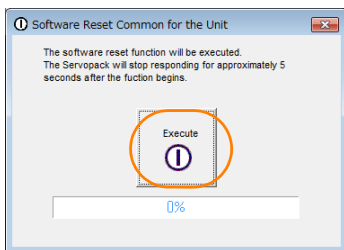
- ① **Identified Moment of Inertia Ratio** Box
The moment of inertia ratio that was found with operation and measurements is displayed here.
- ② **Writing Results** Button
If you click this button, Pn103 (Moment of Inertia Ratio) in the SERVOPACK is set to the value that is displayed for the identified moment of inertia ratio.
- ③ **Pn103: Moment of Inertia Ratio** Box
The value that is set for the parameter is displayed here.
After you click the **Writing Results** Button, the value that was found with operation and measurements will be displayed as the new setting.
- ④ **Back** Button
This button is disabled.
- ⑤ **Cancel** Button
This button will return you to the Tuning Dialog Box.

16. Confirm that the **Identified Moment of Inertia Ratio** Box and the **Pn103: Moment of Inertia Ratio** Box show the same value and then click the **Finish** Button.

17. Click the **OK** Button.



18. Click the **Execute** Button.



If the setting of the moment of inertia ratio (Pn103) was changed, the new value will be saved and the Tuning Dialog Box will be displayed again.

This concludes the procedure to estimate the moment of inertia ratio.

8.6

Autotuning without Host Reference

This section describes autotuning without a host reference.



- Autotuning without a host reference performs adjustments based on the setting of the speed loop gain (Pn100). Therefore, precise adjustments cannot be made if there is vibration when adjustments are started. Make adjustments after lowering the speed loop gain (Pn100) until vibration is eliminated.
- You cannot execute autotuning without a host reference if the tuning-less function is enabled (Pn170 = n.□□□1 (default setting)). Disable the tuning-less function (Pn170 = n.□□□0) before you execute autotuning without a host reference.
- If you change the machine load conditions or drive system after you execute autotuning without a host reference and then you execute autotuning without a host reference with moment of inertia estimation specified, use the following parameter settings. If you execute autotuning without a host reference for any other conditions, the machine may vibrate and may be damaged.

Pn140 = n.□□□0 (Do not use model following control.)

Pn160 = n.□□□0 (Do not use anti-resonance control.)

Pn408 = n.00□0 (Disable friction compensation, first stage notch filter, and second stage notch filter.)

Note: If you are using the Digital Operator and the above parameters are not displayed, change the parameter display setting to display all parameters (Pn00B = n.□□□1) and then turn the power supply OFF and ON again.

8.6.1

Outline

For autotuning without a host reference, operation is automatically performed by the SERVO-PACK for round-trip (forward and reverse) operation to adjust for machine characteristics during operation. A reference from the host controller is not used.

The following items are adjusted automatically.

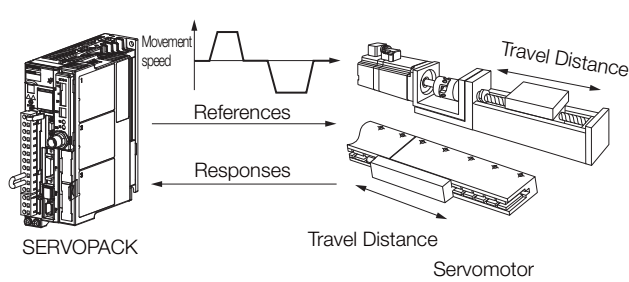
- Moment of inertia ratio
- Gains (e.g., speed loop gain and position loop gain)
- Filters (torque reference filter and notch filters)
- Friction compensation
- Anti-resonance control
- Vibration suppression (only for mode 2 or 3)

Refer to the following section for details on the parameters that are adjusted.

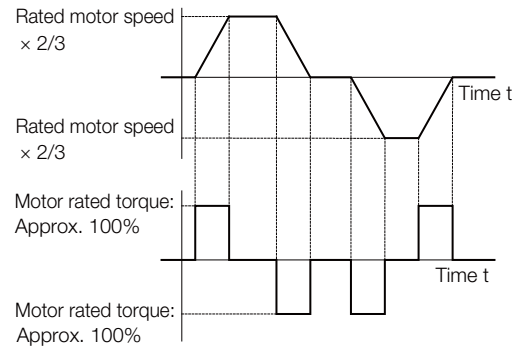
8.6.7 Related Parameters on page 8-33

The motor is operated with the following specifications.

Maximum speed	Rated motor speed × $\frac{2}{3}$	
Acceleration Torque	Rated motor torque: Approx. 100% Note: The acceleration torque depends on the setting of the influence of the moment of inertia ratio (Pn103), machine friction, and external disturbance.	
Travel Distance	Rotary Servomotors	You can set the desired travel distance. The default setting is for a value equivalent to 3 motor shaft rotations.
	Direct Drive Servomotors	You can set the desired travel distance. The default setting is for a value equivalent to 0.3 rotations.
	Linear Servomotors	You can set the desired travel distance in increments of 1,000 reference units. (The default setting is for 90 mm.)



Note: Execute autotuning without a host reference after jogging to a position that ensures a suitable range of motion.



Example of Automatic Operation Pattern

! WARNING

- Autotuning without a host reference requires operating the motor and therefore presents hazards. Observe the following precaution.
 - Confirm safety around moving parts.
 - This function involves automatic operation with vibration. Make sure that you can perform an emergency stop (to turn OFF the power supply) at any time. There will be movement in both directions within the set range of movement. Check the range of movement and the directions and implement protective controls for safety, such as the overtravel functions.

8.6.2 Restrictions

The following restrictions apply to autotuning without a host reference.

If you cannot use autotuning without a host reference because of these restrictions, use autotuning with a host reference or custom tuning. Refer to the following sections for details.

8.7 Autotuning with a Host Reference on page 8-34

8.8 Custom Tuning on page 8-42

Systems for Which Execution Cannot Be Performed

- When the machine system can move only in one direction
- When the range of motion is 0.5 rotations or less

Systems for Which Adjustments Cannot Be Made Accurately

- When a suitable range of motion is not possible
- When the moment of inertia changes within the set operating range
- When the machine has high friction
- When the rigidity of the machine is low and vibration occurs when positioning is performed
- When the position integration function is used
- When mode switching is used

Note: If you specify moment of inertia estimation, mode switching will be disabled and PI control will be used while the moment of inertia is being calculated. Mode switching will be enabled after moment of inertia estimation has been completed.

- When the positioning completed width (Pn522) is too narrow

Preparations

Always check the following before you execute autotuning without a host reference.



- The main circuit power supply must be ON.
- There must be no overtravel.
- The servo must be OFF.
- The gain switching selection must be set to disable automatic gain switching (Pn139 = n.□□□0).
- The first gains must be selected.
- The test without a motor function must be disabled (Pn00C = n.□□□0).
- There must be no alarms or warnings.
- There must be no hard wire base block (HWBB).
- The parameters must not be write prohibited.
- The tuning-less function must be disabled (Pn170 = n.□□□0), or the tuning-less function must be enabled (Pn170 = n.□□□1) and moment of inertia estimation must be specified.
- If you execute autotuning without a host reference during speed control, set the mode to 1.

Information

- If you start autotuning without a host reference while the SERVOPACK is in speed control for mode 2 or 3, the SERVOPACK will change to position control automatically to perform autotuning without a host reference. The SERVOPACK will return to speed control after autotuning has been completed.

8.6.3 Applicable Tools

The following table lists the tools that you can use to perform autotuning without a host reference and the applicable tool functions.


Tool	Function	Operating Procedure Reference
Digital Operator	Fn201	 Σ -7-Series Digital Operator Operating Manual (Manual No.: SIEP S80001 33)
SigmaWin+	<i>Tuning - Tuning</i>	 8.6.4 Operating Procedure on page 8-25

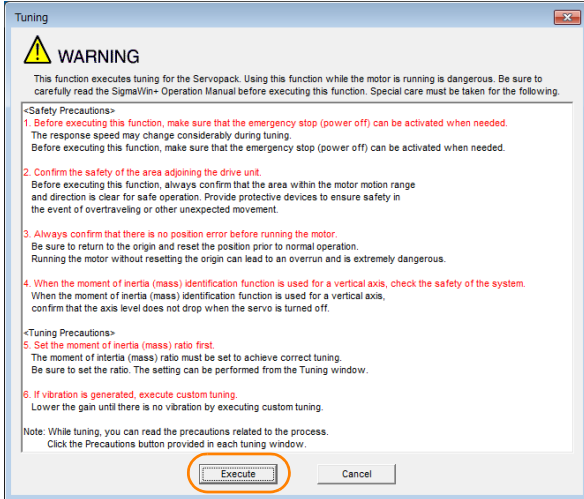
8.6.4 Operating Procedure

Use the following procedure to perform autotuning without a host reference.

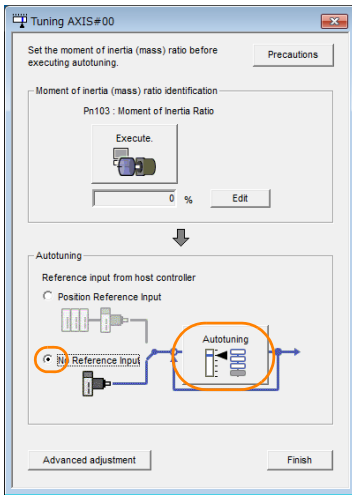
CAUTION

- If you specify not estimating the moment of inertia, set the moment of inertia ratio (Pn103) correctly. If the setting greatly differs from the actual moment of inertia ratio, normal control of the machine may not be possible, and vibration may result.

1. Confirm that the moment of inertia ratio (Pn103) is set correctly.
2. Click the  Servo Drive Button in the workspace of the Main Window of the SigmaWin+.
3. Select **Tuning** in the Menu Dialog Box.
The Tuning Dialog Box will be displayed.
Click the **Cancel** Button to cancel tuning.
4. Click the **Execute** Button.

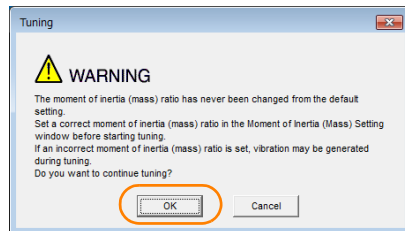


5. Select the **No Reference Input** Option in the Autotuning Area and then click the **Auto-tuning** Button.

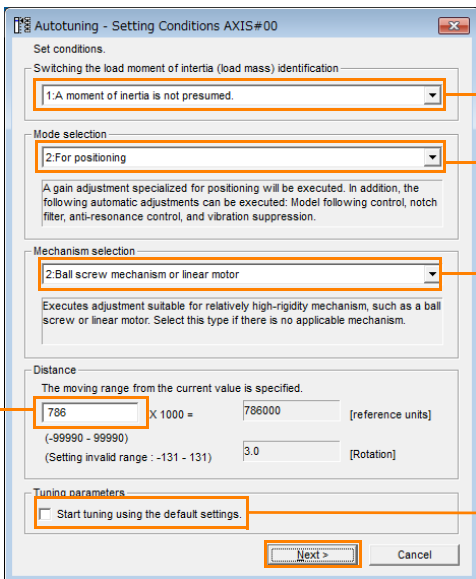


Information

When the following dialog box is displayed, click the **OK** Button and then confirm that the correct moment of inertia ratio is set in Pn103 (Moment of Inertia Ratio).



6. Set the conditions in the **Switching the load moment of inertia (load mass) identification Box**, the **Mode selection Box**, the **Mechanism selection Box**, and the **Distance Box**, and then click the **Next Button**.



• **Switching the load moment of inertia (load mass) identification Box**
 Specify whether to estimate the moment of inertia.
 0: A moment of inertia is presumed. (default setting)
 1: A moment of inertia is not presumed.

• **Mode selection Box**
 Set the mode.

Mode Selection	Description
1: Standard	Standard gain adjustment is performed. In addition to gain adjustment, notch filters and anti-resonance control are automatically adjusted.
2: For positioning	Tuning is performed for positioning applications. In addition to gain adjustment, model following control, notch filters, anti-resonance control, and vibration suppression are automatically adjusted.
3: For positioning especially to prevent overshooting	Tuning is performed for positioning applications with emphasis on eliminating overshooting. In addition to gain adjustment, notch filters, anti-resonance control, and vibration suppression are automatically adjusted.

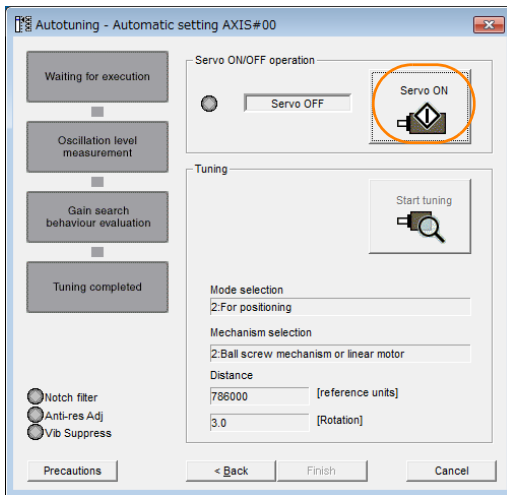
• **Distance Box**
 Set the travel distance.
 Movement range: -99,990,000 to +99,990,000 [reference units]
 Minimum setting increment for travel distance: 1,000 [reference units]
 Negative values are for reverse operation and positive values are for forward operation from the current position.
 Default settings:
 Rotary Servomotors: Approx. 3 rotations
 Direct Drive Servomotors: Approx. 0.3 rotations
 Linear Servomotors: Approx 90 mm
 Set the distance to the following values or higher. To ensure tuning precision, we recommend that you use approximately the default distance setting.
 Rotary Servomotors: 0.5 rotations
 Direct Drive Servomotors: 0.05 rotations
 Linear Servomotors: 5 mm

• **Mechanism selection Box**
 Select the type according to the machine element to drive.
 If there is noise or if the gain does not increase, better results may be obtained by changing the rigidity type. Select the type according to the following guidelines.

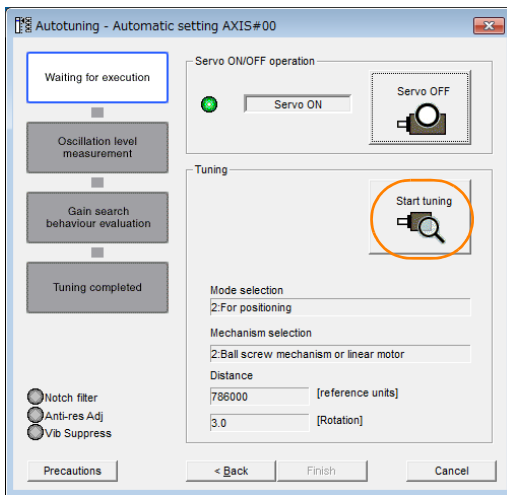
Mechanism Selection	Description
1: Belt mechanism	Tuning is performed for a mechanism with relatively low rigidity, e.g., a belt.
2: Ball screw mechanism or linear motor	Tuning is performed for a mechanism with relatively high rigidity, e.g., a ball screw or Linear Servomotor. Use this setting if there is no other appropriate setting.
3: Rigid model	Tuning is performed for a mechanism with high rigidity, e.g., a rigid body system.

• **Tuning parameters Box**
 Specify the parameters to use for tuning.
 If you select the **Start tuning using the default settings** Check Box, the tuning parameters will be returned to the default settings before tuning is started.

7. Click the Servo ON Button.



8. Click the Start tuning Button.

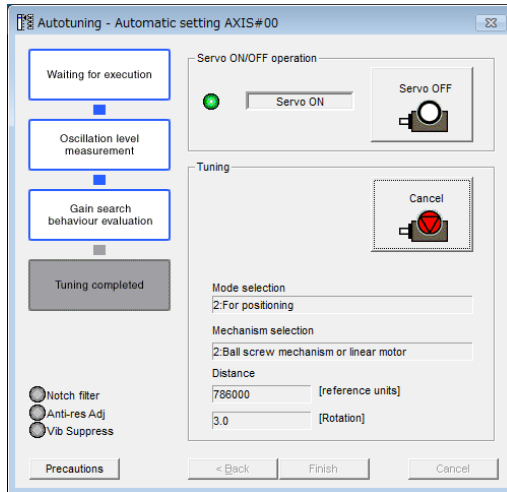


9. Confirm safety around moving parts and click the **Yes** Button.



The motor will start operating and tuning will be executed.

Vibration that occurs during tuning will be detected automatically and suitable settings will be made for that vibration. When the settings have been completed, the indicators for the functions that were used will light at the lower left of the dialog box.



10. When tuning has been completed, click the **Finish** Button.

The results of tuning will be set in the parameters and you will return to the Tuning Dialog Box.

This concludes the procedure to perform autotuning without a host reference.


8.6.5 Troubleshooting Problems in Autotuning without a Host Reference

The following tables give the causes of and corrections for problems that may occur in autotuning without a host reference.

◆ Autotuning without a Host Reference Was Not Performed

Possible Cause	Corrective Action
Main circuit power supply is OFF.	Turn ON the main circuit power supply.
An alarm or warning occurred.	Remove the cause of the alarm or warning.
Overtraveling occurred.	Remove the cause of overtraveling.
The second gains were selected with the gain selection.	Disable automatic gain switching.
The HWBB was activated.	Release the HWBB.
The setting of the travel distance is too small.	Set the travel distance again in step 6 of the procedure.
The settings for the tuning-less function are not correct.	<ul style="list-style-type: none"> • Disable the tuning-less function (Pn170 = n.□□□0). • Enable the tuning-less function (Pn170 = n.□□□1) and specify moment of inertia estimation.

◆ **When an Error Occurs during Execution of Autotuning without a Host Reference**

Error	Possible Cause	Corrective Action
The gain adjustments were not successfully completed.	Machine vibration occurs or the positioning completion signal is not stable when the Servomotor stops.	<ul style="list-style-type: none"> • Increase the setting of the positioning completed width (Pn522). • Change the mode from 2 to 3. • If machine vibration occurs, suppress the vibration with the anti-resonance control function and the vibration suppression function.
An error occurred during calculation of the moment of inertia.	Refer to the following section for troubleshooting information.  ◆ <i>When an Error Occurs during Calculation of Moment of Inertia on page 8-30</i>	
Positioning was not completed within approximately 10 seconds after position adjustment was completed.	The positioning completed width is too narrow.	Increase the setting of the positioning completed width (Pn522).

◆ **When an Error Occurs during Calculation of Moment of Inertia**

Possible Cause	Corrective Action
The SERVOPACK started calculating the moment of inertia but the calculation was not completed.	<ul style="list-style-type: none"> • Increase the setting of the speed loop gain (Pn100). • Increase the stroke (travel distance).
The moment of inertia fluctuated greatly and did not converge within 10 tries.	Set Pn103 (Moment of Inertia Ratio) from the machine specifications and specify not estimating the moment of inertia.
Low-frequency vibration was detected.	Double the setting of moment of inertia calculation starting level (Pn324).
The torque limit was reached.	<ul style="list-style-type: none"> • If you are using the torque limit, increase the torque limit. • Double the setting of moment of inertia calculation starting level (Pn324).

◆ **Adjustment Results Are Not Satisfactory for Position Control**

You may be able to improve the adjustment results by changing the settings of the positioning completed width (Pn522) and the electronic gear (Pn20E/Pn210).

If satisfactory results are still not possible, adjust the overshoot detection level (Pn561). That may improve the adjustment results.

- Pn561 = 100% (default setting)
This will allow tuning with overshooting that is equivalent to the positioning completed width.
- Pn561 = 0%
This will allow tuning to be performed without overshooting within the positioning completed width, but the positioning completed width may be extended.

Pn561	Overshoot Detection Level				
	Setting Range	Setting Unit	Default Setting	When Enabled	Classification
	0 to 100	1%	100	Immediately	Setup

8.6.6 Automatically Adjusted Function Settings

You can specify whether to automatically adjust the following functions during autotuning.

◆ Automatic Notch Filters

Normally, set Pn460 to n.□□□1 (Adjust automatically) (default setting).

Vibration will be detected during autotuning without a host reference and a notch filter will be adjusted.

Set Pn460 to n.□□□0 (Do not adjust automatically) only if you do not change the setting of the notch filter before you execute this function.

Parameter	Function	When Enabled	Classification
Pn460	n.□□□0	Immediately	Tuning
	n.□□□1 (default setting)		
	n.□□□□		
	n.□□□1 (default setting)		

◆ Anti-Resonance Control Adjustment

This function reduces low vibration frequencies, for which the notch filters cannot be used.

Normally, set Pn160 to n.□□□1 (Adjust automatically) (default setting).

Vibration will be detected during autotuning without a host reference and anti-resonance control will be automatically adjusted.

Parameter	Function	When Enabled	Classification
Pn160	n.□□□0	Immediately	Tuning
	n.□□□1 (default setting)		

◆ Vibration Suppression

You can use vibration suppression to suppress transitional vibration at a low frequency from 1 Hz to 100 Hz, which is generated mainly when the machine vibrates during positioning.

Normally, set Pn140 to n.□1□□ (Adjust automatically) (default setting).

Vibration will be detected during autotuning without a host reference and vibration suppression control will be automatically set.

Set Pn140 = n.□0□□ (Do not adjust automatically) only if you do not change the settings for vibration suppression before you execute autotuning without a host reference.

Note: Autotuning without a host reference uses model following control. Therefore, it can be executed only if the mode is set to 2 or 3.

Parameter		Function	When Enabled	Classification
Pn140	n.□0□□	Do not adjust vibration suppression automatically during execution of autotuning without a host reference, autotuning with a host reference, and custom tuning.	Immediately	Tuning
	n.□1□□ (default setting)	Adjust vibration suppression automatically during execution of autotuning without a host reference, autotuning with a host reference, and custom tuning.		

◆ Friction Compensation

Friction compensation compensates for changes in the following conditions.


- Changes in the viscous resistance of the lubricant, such as grease, on the sliding parts of the machine
- Changes in the friction resistance resulting from variations in the machine assembly
- Changes in the friction resistance due to aging

The conditions for applying friction compensation depend on the mode selection.

Mode Selection Settings	Friction Compensation
1: Standard	Based on the setting of Pn408 = n.X□□□ (Friction Compensation Function Selection)*
2: For position control	Adjusted with friction compensation.
3: For position control (emphasis on overshooting)	

Parameter		Function	When Enabled	Classification
Pn408	n.0□□□ (default setting)	Disable friction compensation.	Immediately	Setup
	n.1□□□	Enable friction compensation.		

* Refer to the following section for details.

 Required Parameter Settings on page 8-69

8.6.7 Related Parameters

The following parameters are automatically adjusted or used as reference when you execute autotuning without a host reference.

Do not change the settings while autotuning without a host reference is being executed.


Parameter	Name	Automatic Changes
Pn100	Speed Loop Gain	Yes
Pn101	Speed Loop Integral Time Constant	Yes
Pn102	Position Loop Gain	Yes
Pn103	Moment of Inertia Ratio	Yes
Pn121	Friction Compensation Gain	Yes
Pn123	Friction Compensation Coefficient	Yes
Pn124	Friction Compensation Frequency Correction	No
Pn125	Friction Compensation Gain Correction	Yes
Pn401	First Stage First Torque Reference Filter Time Constant	Yes
Pn408	Torque-Related Function Selections	Yes
Pn409	First Stage Notch Filter Frequency	Yes
Pn40A	First Stage Notch Filter Q Value	Yes
Pn40C	Second Stage Notch Filter Frequency	Yes
Pn40D	Second Stage Notch Filter Q Value	Yes
Pn140	Model Following Control-Related Selections	Yes
Pn141	Model Following Control Gain	Yes
Pn142	Model Following Control Gain Correction	Yes
Pn143	Model Following Control Bias in the Forward Direction	Yes
Pn144	Model Following Control Bias in the Reverse Direction	Yes
Pn145	Vibration Suppression 1 Frequency A	Yes
Pn146	Vibration Suppression 1 Frequency B	Yes
Pn147	Model Following Control Speed Feedforward Compensation	Yes
Pn160	Anti-Resonance Control-Related Selections	Yes
Pn161	Anti-Resonance Frequency	Yes
Pn163	Anti-Resonance Damping Gain	Yes
Pn531	Program Jogging Travel Distance	No
Pn533	Program Jogging Movement Speed for Rotary Servomotor	No
Pn585	Program Jogging Movement Speed for Linear Servomotor	No
Pn534	Program Jogging Acceleration/Deceleration Time	No
Pn535	Program Jogging Waiting Time	No
Pn536	Program Jogging Number of Movements	No

Yes: The parameter is automatically set.

No: The parameter is not automatically set, but the setting is read during execution.

8.7 Autotuning with a Host Reference

This section describes autotuning with a host reference.

 Autotuning with a host reference makes adjustments based on the set speed loop gain (Pn100). Therefore, precise adjustments cannot be made if there is vibration when adjustments are started. Make adjustments after lowering the speed loop gain (Pn100) until vibration is eliminated.


8.7.1 Outline

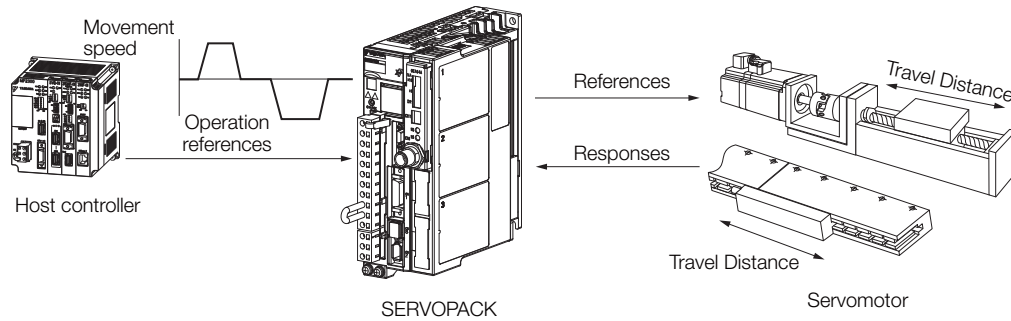
Autotuning with a host reference automatically makes optimum adjustments for operation references from the host controller.


The following items are adjusted automatically.

- Gains (e.g., speed loop gain and position loop gain)
- Filters (torque reference filter and notch filters)
- Friction compensation
- Anti-resonance control
- Vibration suppression

Refer to the following section for details on the parameters that are adjusted.

 [8.7.7 Related Parameters on page 8-41](#)



 **CAUTION**

- Because autotuning with a host reference adjusts the SERVOPACK during automatic operation, vibration or overshooting may occur. To ensure safety, make sure that you can perform an emergency stop at any time.

8.7.2 Restrictions

Systems for Which Adjustments Cannot Be Made Accurately

Adjustments will not be made correctly for autotuning with a host reference in the following cases. Use custom tuning.

- When the travel distance for the reference from the host controller is equal to or lower than the setting of the positioning completed width (Pn522)
- Rotary Servomotors: When the movement speed for the reference from the host controller is equal to or lower than the setting of the rotation detection level (Pn502)
- Linear Servomotors: When the movement speed for the reference from the host controller is equal to or lower than the setting of the zero speed level (Pn581)
- When the time required to stop is 10 ms or less
- When the rigidity of the machine is low and vibration occurs when positioning is performed
- When the position integration function is used
- When mode switching is used
- When the positioning completed width (Pn522) is too narrow

Refer to the following sections for details on custom tuning.

 8.8 Custom Tuning on page 8-42



Preparations

Always check the following before you execute autotuning with a host reference.

- The servo must be in ready status.
- There must be no overtravel.
- The servo must be OFF.
- Position control must be selected if power is supplied to the motor (i.e., when the servo is ON).
- The gain switching selection must be set to disable automatic gain switching (Pn139 = n.□□□0).
- The first gains must be selected.
- The test without a motor function must be disabled (Pn00C = n.□□□0).
- There must be no warnings.
- The tuning-less function must be disabled (Pn170 = n.□□□0).
- The parameters must not be write prohibited.


8.7.3 Applicable Tools

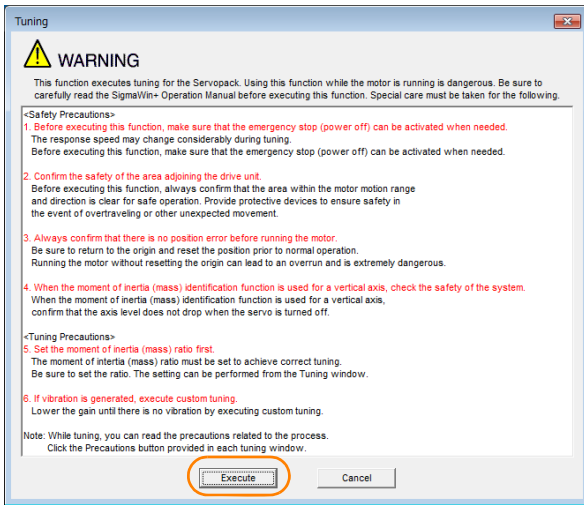
The following table lists the tools that you can use to perform autotuning with a host reference and the applicable tool functions.

Tool	Function	Operating Procedure Reference
Digital Operator	Fn202	 Σ -7-Series Digital Operator Operating Manual (Manual No.: S1EP S800001 33)
SigmaWin+	Tuning - Tuning	 8.7.4 Operating Procedure on page 8-36

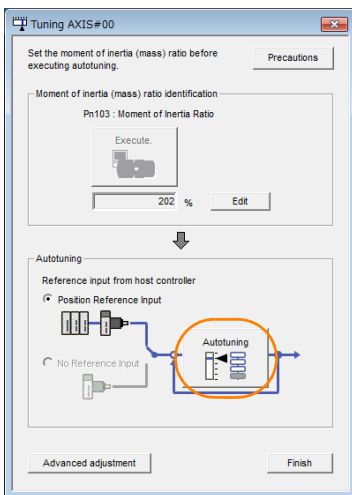
8.7.4 Operating Procedure

Use the following procedure to perform autotuning with a host reference.

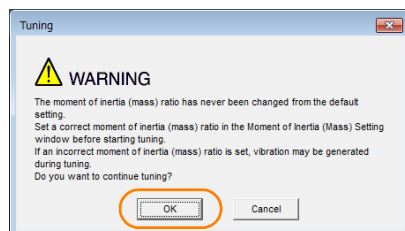
1. Confirm that the moment of inertia ratio (Pn103) is set correctly.
2. Click the  Servo Drive Button in the workspace of the Main Window of the SigmaWin+.
3. Select **Tuning** in the Menu Dialog Box.
The Tuning Dialog Box will be displayed.
Click the **Cancel** Button to cancel tuning.
4. Click the **Execute** Button.



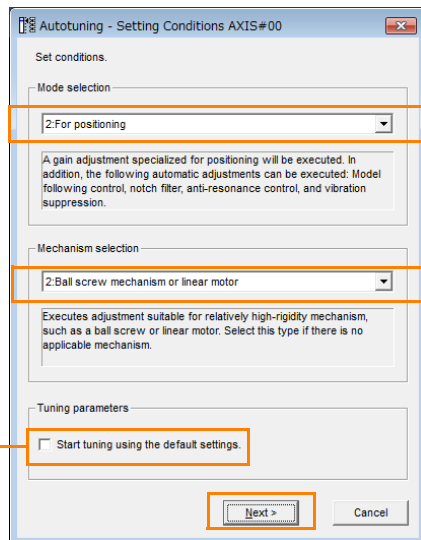
5. Select the **Position reference input** Option in the **Autotuning** Area and then click the **Autotuning** Button.



Information When the following dialog box is displayed, click the **OK** Button and then confirm that the correct moment of inertia ratio is set in Pn103 (Moment of Inertia Ratio).



6. Set the conditions in the **Mode selection Box** and the **Mechanism selection Box**, and then click the **Next Button**.
If you select the **Start tuning using the default settings** Check Box in the **Tuning parameters Area**, the tuning parameters will be returned to the default settings before tuning is started.



• **Mode selection Box**

Set the mode.

Mode Selection	Description
1: Standard	Standard gain adjustment is performed. In addition to gain adjustment, notch filters and anti-resonance control are automatically adjusted.
2: For positioning	Tuning is performed for positioning applications. In addition to gain adjustment, model following control, notch filters, anti-resonance control, and vibration suppression are automatically adjusted.
3: For positioning especially to prevent overshooting	Tuning is performed for positioning applications with emphasis on eliminating overshooting. In addition to gain adjustment, notch filters, anti-resonance control, and vibration suppression are automatically adjusted.

• **Tuning parameters Box**

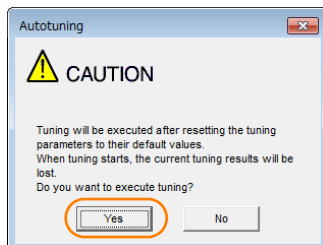
Specify the parameters to use for tuning. If you select the **Start tuning using the default settings** Check Box, the tuning parameters will be returned to the default settings before tuning is started.

• **Mechanism selection Box**

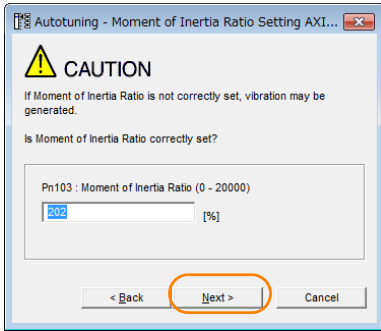
Select the type according to the machine element to drive. If there is noise or if the gain does not increase, better results may be obtained by changing the rigidity type. Select the type according to the following guidelines.

Mechanism Selection	Description
1: Belt mechanism	Tuning is performed for a mechanism with relatively low rigidity, e.g., a belt.
2: Ball screw mechanism or linear motor	Tuning is performed for a mechanism with relatively high rigidity, e.g., a ball screw or Linear Servomotor. Use this setting if there is no other appropriate setting.
3: Rigid model	Tuning is performed for a mechanism with high rigidity, e.g., a rigid body system.

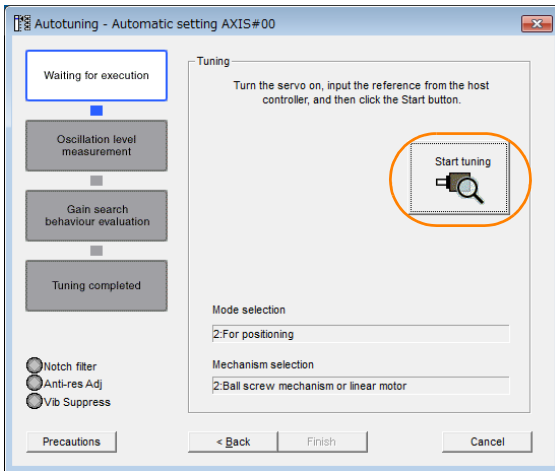
7. Click the **Yes Button**.



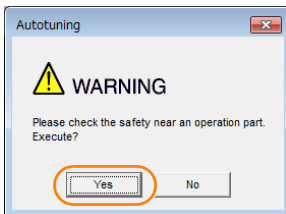
- 8. Input the correct moment of inertia ratio and click the **Next Button**.



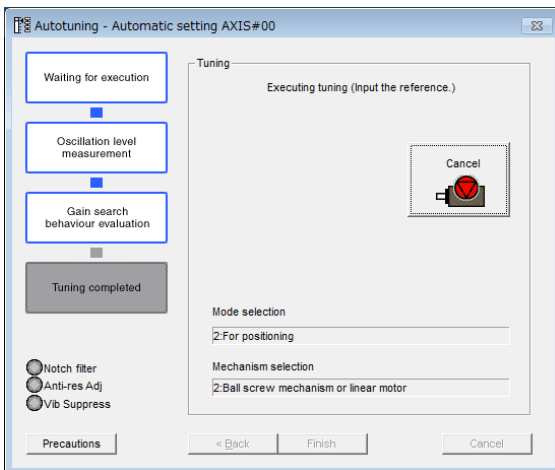
- 9. Turn ON the servo, enter a reference from the host controller, and then click the **Start tuning Button**.



- 10. Confirm safety around moving parts and click the **Yes Button**.



The motor will start operating and tuning will be executed. Vibration that occurs during tuning will be detected automatically and suitable settings will be made for that vibration. When the settings have been completed, the indicators for the functions that were used will light at the lower left of the dialog box.



11. When tuning has been completed, click the **Finish Button.**

The results of tuning will be set in the parameters and you will return to the Tuning Dialog Box.

This concludes the procedure to perform autotuning with a host reference.

8.7.5 Troubleshooting Problems in Autotuning with a Host Reference

The following tables give the causes of and corrections for problems that may occur in autotuning with a host reference.

◆ Autotuning with a Host Reference Was Not Performed

Possible Cause	Corrective Action
Main circuit power supply is OFF.	Turn ON the main circuit power supply.
An alarm or warning occurred.	Remove the cause of the alarm or warning.
Overtraveling occurred.	Remove the cause of overtraveling.
The second gains were selected with the gain selection.	Disable automatic gain switching.
The HWBB was activated.	Release the HWBB.

◆ Troubleshooting Errors

Error	Possible Cause	Corrective Action
The gain adjustments were not successfully completed.	Machine vibration occurs or positioning completion is not stable when the Servomotor stops.	<ul style="list-style-type: none"> • Increase the setting of the positioning completed width (Pn522). • Change the mode from 2 to 3. • If machine vibration occurs, suppress the vibration with the anti-resonance control function and the vibration suppression function.
Positioning was not completed within approximately 10 seconds after position adjustment was completed.	The positioning completed width is too narrow.	Increase the setting of the positioning completed width (Pn522).

◆ Adjustment Results Are Not Satisfactory for Position Control

You may be able to improve the adjustment results by changing the settings of the positioning completed width (Pn522) and the electronic gear (Pn20E/Pn210).

If satisfactory results are still not possible, adjust the overshoot detection level (Pn561). That may improve the adjustment results.

- Pn561 = 100% (default setting)
This will allow tuning with overshooting that is equivalent to the positioning completed width.
- Pn561 = 0%
This will allow tuning to be performed without overshooting within the positioning completed width, but the positioning completed width may be extended.

Pn561	Overshoot Detection Level				
	Setting Range	Setting Unit	Default Setting	When Enabled	Classification
	0 to 100	1%	100	Immediately	Setup

8.7.6 Automatically Adjusted Function Settings

These function settings are the same as for autotuning without a host reference. Refer to the following section.

 8.6.6 Automatically Adjusted Function Settings on page 8-31

8.7.7 Related Parameters

The following parameters are automatically adjusted or used as reference when you execute autotuning with a host reference.

Do not change the settings while autotuning with a host reference is being executed.

Parameter	Name	Automatic Changes
Pn100	Speed Loop Gain	Yes
Pn101	Speed Loop Integral Time Constant	Yes
Pn102	Position Loop Gain	Yes
Pn103	Moment of Inertia Ratio	No
Pn121	Friction Compensation Gain	Yes
Pn123	Friction Compensation Coefficient	Yes
Pn124	Friction Compensation Frequency Correction	No
Pn125	Friction Compensation Gain Correction	Yes
Pn401	First Stage First Torque Reference Filter Time Constant	Yes
Pn408	Torque-Related Function Selections	Yes
Pn409	First Stage Notch Filter Frequency	Yes
Pn40A	First Stage Notch Filter Q Value	Yes
Pn40C	Second Stage Notch Filter Frequency	Yes
Pn40D	Second Stage Notch Filter Q Value	Yes
Pn140	Model Following Control-Related Selections	Yes
Pn141	Model Following Control Gain	Yes
Pn142	Model Following Control Gain Correction	Yes
Pn143	Model Following Control Bias in the Forward Direction	Yes
Pn144	Model Following Control Bias in the Reverse Direction	Yes
Pn145	Vibration Suppression 1 Frequency A	Yes
Pn146	Vibration Suppression 1 Frequency B	Yes
Pn147	Model Following Control Speed Feedforward Compensation	Yes
Pn160	Anti-Resonance Control-Related Selections	Yes
Pn161	Anti-Resonance Frequency	Yes
Pn163	Anti-Resonance Damping Gain	Yes

Yes: The parameter is automatically set.

No: The parameter is not automatically set, but the setting is read during execution.

8.8 Custom Tuning

This section describes custom tuning.

8.8.1 Outline

You can use custom tuning to manually adjust the servo during operation with a reference from the host controller. You can use it to fine-tune adjustments that were made with autotuning.

The following items are adjusted automatically.

- Gains (e.g., speed loop gain and position loop gain)
- Filters (torque reference filter and notch filters)
- Friction compensation
- Anti-resonance control

Refer to the following section for details on the parameters that are adjusted.

 8.8.7 Related Parameters on page 8-50

There are two adjustment methods that you can use for custom tuning.

■ Tuning Mode 0 (Setting Servo Gains Giving Priority to Stability) or 1 (Setting Servo Gains Giving Priority to Good Response)

These modes allow you to set stable control conditions for multiple servo gains by manipulating only one tuning level. Automatic setting of notch filters and anti-resonance control is provided if vibration is detected. Manual anti-resonance control adjustment is also possible during custom tuning.

■ Tuning Mode 2 (Setting Servo Gains Giving Priority to Position Control Applications) or 3 (Setting Servo Gains Giving Priority to Preventing Overshooting in Position Control Applications)

Two tuning levels are manipulated to reduce positioning time even further and set multiple servo gains.

Model following control is used to reduce the positioning time. If vibration is detected, notch filters and anti-resonance control are automatically adjusted, and friction compensation is automatically set. Manual anti-resonance control adjustment and vibration suppression are also possible during custom tuning.



CAUTION

- Vibration or overshooting may occur during custom tuning. To ensure safety, make sure that you can perform an emergency stop at any time.



8.8.2 Preparations

Always check the following before you execute custom tuning.

- The test without a motor function must be disabled (Pn00C = n.□□□0).
- The tuning-less function must be disabled (Pn170 = n.□□□0).
- The parameters must not be write prohibited.

8.8.3 Applicable Tools

The following table lists the tools that you can use to perform custom tuning and the applicable tool functions.


Tool	Function	Operating Procedure Reference
Digital Operator	Fn203	 Σ -7-Series Digital Operator Operating Manual (Manual No.: SIEP S800001 33)
SigmaWin+	Tuning - Tuning	 8.8.4 Operating Procedure on page 8-43

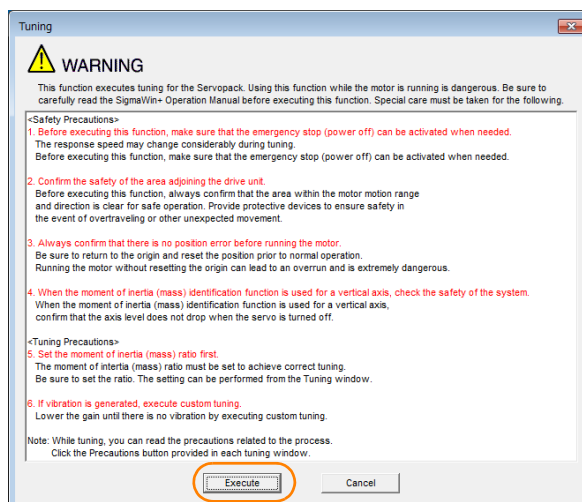
8.8.4 Operating Procedure

Use the following procedure to perform custom tuning.

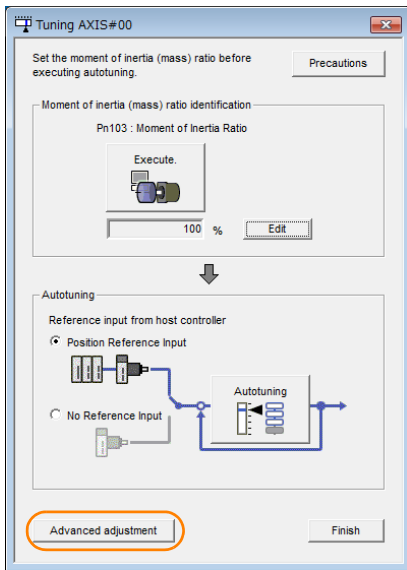
WARNING

- Before you execute custom tuning, check the information provided in the SigmaWin+ operating manual.
Observe the following precautions.
 - Make sure that you can perform an emergency stop at any time.
When custom tuning is started, several parameters will be overwritten with the recommended settings, which may greatly affect the response before and after execution. Make sure that you can perform an emergency stop at any time.
 - Set the moment of inertia correctly before you execute custom tuning.
If the setting greatly differs from the actual moment of inertia, vibration may occur.
 - If you change the feedforward level, the new setting will not be used immediately. It will be used after positioning is completed.

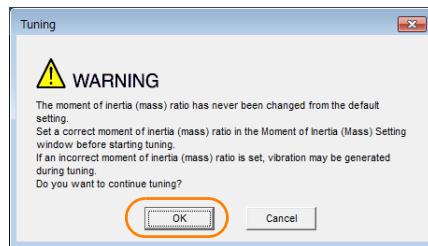
1. Confirm that the moment of inertia ratio (Pn103) is set correctly.
2. Click the  Servo Drive Button in the workspace of the Main Window of the SigmaWin+.
3. Select **Tuning** in the Menu Dialog Box.
The Tuning Dialog Box will be displayed.
Click the **Cancel** Button to cancel tuning.
4. Click the **Execute** Button.



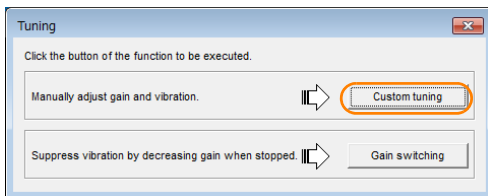
5. Click the **Advanced adjustment** Button.



Information When the following dialog box is displayed, click the **OK** Button and then confirm that the correct moment of inertia ratio is set in Pn103 (Moment of Inertia Ratio).



6. Click the **Custom tuning** Button.



- Set the Tuning mode Box and Mechanism selection Box, and then click the Next Button.

Tuning mode Box

Mode Selection	Description
0: Set servo gains with priority given to stability.	This setting gives priority to stability and preventing overshooting. In addition to gain adjustment, notch filters and anti-resonance control (except during torque control) are automatically adjusted.
1: Set servo gains with priority given to response.	Overshooting may occur because priority is given to response. In addition to gain adjustment, notch filters and anti-resonance control (except during torque control) are automatically adjusted.
2: Set servo gains for positioning application.	Tuning is performed for positioning applications. In addition to gain adjustment, notch filters, anti-resonance control, and vibration suppression are adjusted.
3: Set servo gains especially to prevent overshooting during positioning application.	Tuning is performed for positioning applications with emphasis on eliminating overshooting. In addition to gain adjustment, notch filters, anti-resonance control, and vibration suppression are adjusted.

- Mechanism Selection Box**
 Select the type according to the machine element to drive. If there is noise or if the gain does not increase, better results may be obtained by changing the rigidity type. Select the type according to the following guidelines.

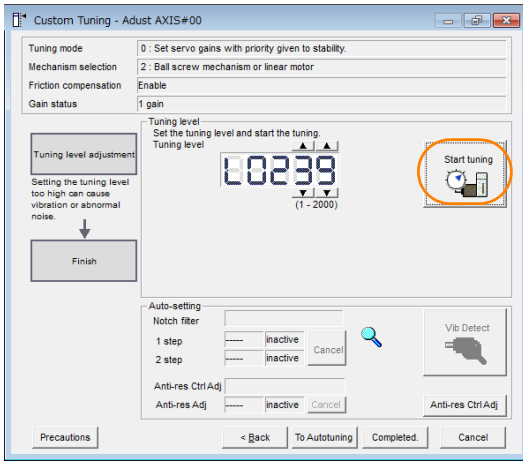
Mechanism Selection	Description
1: Belt mechanism	Tuning is performed for a mechanism with relatively low rigidity, e.g., a belt.
2: Ball screw mechanism or Linear motor	Tuning is performed for a mechanism with relatively high rigidity, e.g., a ball screw or Linear Servomotor. Use this setting if there is no other appropriate setting.
3: Rigid body system	Tuning is performed for a mechanism with high rigidity, e.g., a rigid body system.

Information The tuning modes that you can select depend on the SERVOPACK setting.

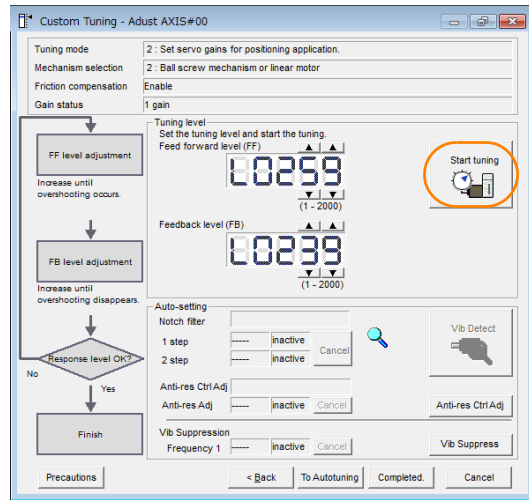
- If the moment of inertia ratio is not set correctly, correct the setting and then click the Next Button.

9. Turn ON the servo, enter a reference from the host controller, and then click the Start tuning Button.

Tuning Mode 0 or 1



Tuning Mode 2 or 3

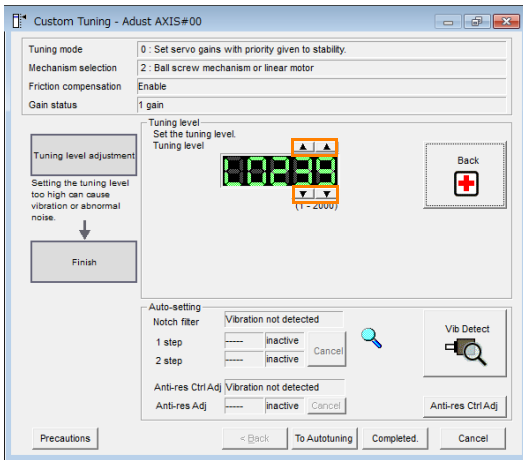


10. Use the ▲ and ▼ Buttons to change the tuning level.

Click the **Back** Button during tuning to restore the setting to its original value. The tuning level will return to the value from before when custom tuning was started.

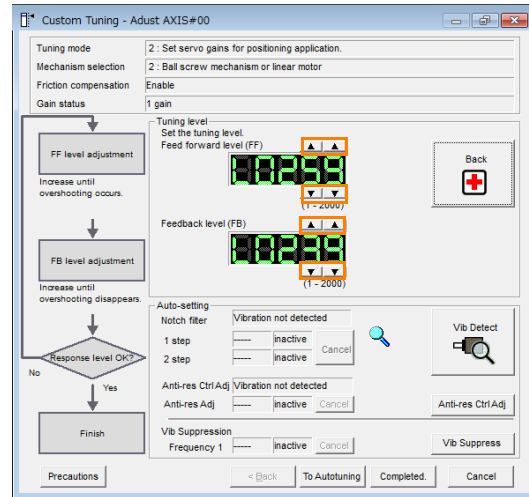
Tuning Mode 0 or 1

Increase the tuning level until overshooting occurs.



Tuning Mode 2 or 3

Increase the feedforward level until overshoot occurs and then increase the feedback level until overshooting is eliminated. Repeat these changes to make the adjustment.



Information The new feedforward level will not be used until the positioning completed signal is output.

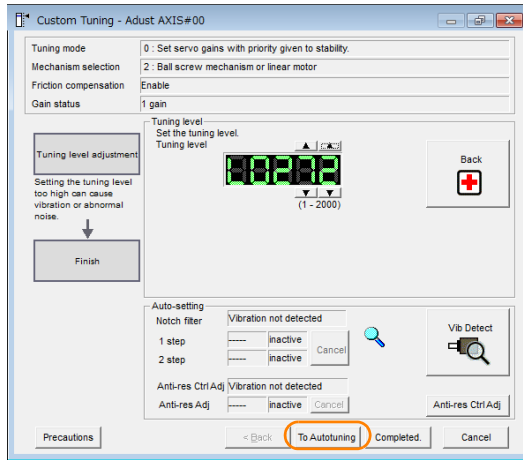
11. You can set the functions to suppress vibration (notch filters, automatic anti-resonance setting, anti-resonance control adjustment, and autotuning with a host reference) as required.

Refer to the following section for details.

Vibration Suppression Functions on page 8-48

12. When tuning has been completed, click the Completed Button.

The values that were changed will be saved in the SERVOPACK and you will return to the Tuning Dialog Box.



This concludes the procedure to set up custom tuning.

Vibration Suppression Functions

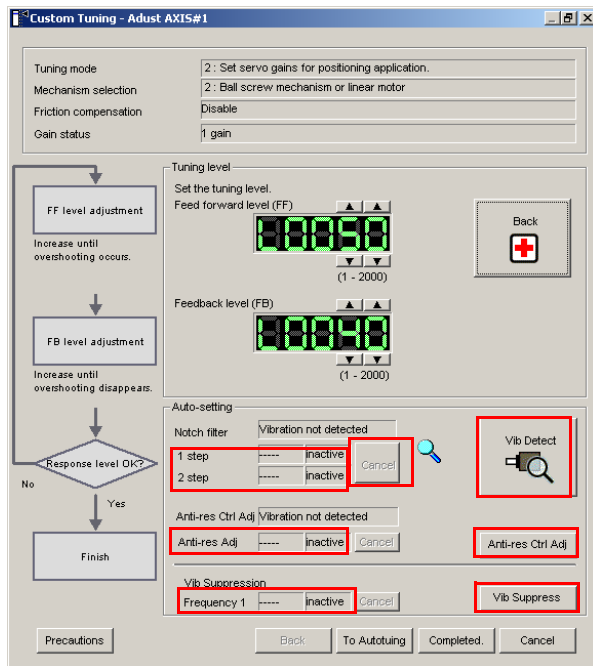
◆ Notch Filters and Automatic Anti-resonance Setting

If the vibration frequency that occurs when you increase the servo gains is at 1,000 Hz or higher, notch filters are effective to suppress vibration. If the vibration is between 100 Hz and 1,000 Hz, anti-resonance control is effective.

◆ Automatic Setting

To set vibration suppression automatically, use the parameters to enable notch filters and automatic anti-resonance control setting.

The notch filter frequency (stage 1 or 2) or anti-resonance control frequency that is effective for the vibration that was detected during tuning will be automatically set.



- **Auto-setting Cancel Buttons**
The automatically set notch filter frequencies or the anti-resonance control frequencies may not always suppress vibration. Click the **Cancel** Button to reset the notch filter frequencies or the anti-resonance control frequencies to the values from just before these frequencies were set automatically.
When they are reset, vibration detection will start again.
- **Vib Detect Button**
While the notch filter or anti-resonance control adjustment automatic setting function is enabled, you can click the **Vib Detect** Button to manually detect vibration. When you click the **Vib Detect** Button, the SERVOPACK will detect vibration at that time, and set the notch filter frequency (stage 1 or 2) or anti-resonance control frequency that is effective for the detected vibration. You can also perform manual vibration detection even when the SERVOPACK does not detect vibration.
- **Anti-res Ctrl Adj Button**
You can use the **Anti-res Ctrl Adj** Button to execute the anti-resonance control function if fine-tuning is required. Refer to the following section.
📖 8.9 Anti-Resonance Control Adjustment on page 8-51
- **Vib Suppress Button**
Click the **Vib Suppress** Button to suppress low and transient vibration (oscillation) of approximately 1 Hz to 100 Hz that occurs during positioning. Refer to the following section.
📖 8.10 Vibration Suppression on page 8-56


◆ Autotuning with a Host Reference

You can perform autotuning with a host reference. Refer to the following section for details.

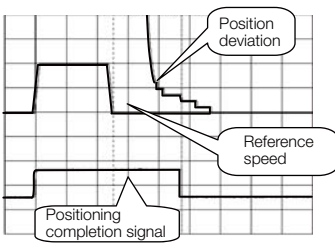
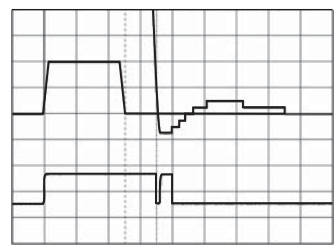
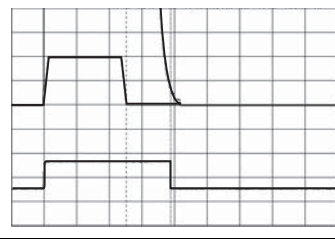
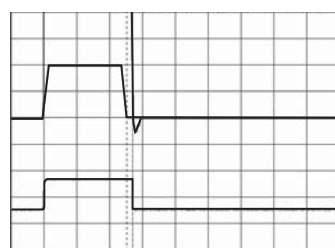
📖 8.7 Autotuning with a Host Reference on page 8-34

8.8.5 Automatically Adjusted Function Settings

You cannot use vibration suppression functions at the same time. Other automatic function settings are the same as for autotuning without a host reference. Refer to the following section.

 8.6.6 Automatically Adjusted Function Settings on page 8-31

8.8.6 Tuning Example for Tuning Mode 2 or 3

Step	Measurement Display Examples	Operation
1		<p>The positioning time is measured after the moment of inertia ratio (Pn103) is set correctly. Tuning is completed if the specifications are met. The tuning results are saved in the SERVOPACK.</p>
2		<p>The positioning time will be reduced if the feedforward level is increased. Tuning is completed if the specifications are met. The tuning results are saved in the SERVOPACK. If overshooting occurs before the specifications are met, proceed to step 3.</p>
3		<p>Overshooting will be reduced if the feedback level is increased. If the overshooting is eliminated, proceed to step 4.</p>
4		<p>The graph shows overshooting that occurred when the feedforward level was increased even more after step 3. In this state, overshooting occurs, but the positioning settling time is shorter. Tuning is completed if the specifications are met. The tuning results are saved in the SERVOPACK. If overshooting occurs before the specifications are met, repeat steps 3 and 4. If vibration occurs before the overshooting is eliminated, the vibration is suppressed with the notch filters and anti-resonance control.</p>
5	—	The tuning results are saved in the SERVOPACK.

8.8.7 Related Parameters

The following parameters are automatically adjusted or used as reference when you execute custom tuning.

Do not change the settings while custom tuning is being executed.

Parameter	Name	Automatic Changes
Pn100	Speed Loop Gain	Yes
Pn101	Speed Loop Integral Time Constant	Yes
Pn102	Position Loop Gain	Yes
Pn103	Moment of Inertia Ratio	No
Pn121	Friction Compensation Gain	Yes
Pn123	Friction Compensation Coefficient	Yes
Pn124	Friction Compensation Frequency Correction	No
Pn125	Friction Compensation Gain Correction	Yes
Pn401	First Stage First Torque Reference Filter Time Constant	Yes
Pn408	Torque-Related Function Selections	Yes
Pn409	First Stage Notch Filter Frequency	Yes
Pn40A	First Stage Notch Filter Q Value	Yes
Pn40C	Second Stage Notch Filter Frequency	Yes
Pn40D	Second Stage Notch Filter Q Value	Yes
Pn140	Model Following Control-Related Selections	Yes
Pn141	Model Following Control Gain	Yes
Pn142	Model Following Control Gain Correction	Yes
Pn143	Model Following Control Bias in the Forward Direction	Yes
Pn144	Model Following Control Bias in the Reverse Direction	Yes
Pn145	Vibration Suppression 1 Frequency A	No
Pn146	Vibration Suppression 1 Frequency B	No
Pn147	Model Following Control Speed Feedforward Compensation	Yes
Pn160	Anti-Resonance Control-Related Selections	Yes
Pn161	Anti-Resonance Frequency	Yes
Pn163	Anti-Resonance Damping Gain	Yes

Yes: The parameter is automatically set.

No: The parameter is not automatically set, but the setting is read during execution.

8.9

Anti-Resonance Control Adjustment

This section describes anti-resonance control.

8.9.1 Outline

Anti-resonance control increases the effectiveness of vibration suppression after custom tuning.

Anti-resonance control is effective for suppression of continuous vibration frequencies from 100 to 1,000 Hz that occur when the control gain is increased. Vibration can be eliminated by setting vibration frequencies through automatic detection or by manually setting them to adjust the damping gain. Input an operation reference and execute this anti-resonance control adjustment when there is vibration.

Anti-resonance control is automatically set by autotuning without a host reference or autotuning with a host reference. Use anti-resonance control adjustment only if fine-tuning is required or readjustment is required as a result of a failure to detect vibration.

Perform custom tuning if required to increase the response after performing anti-resonance control adjustment. If the control gain is increased, e.g., when custom tuning is performed, vibration may occur again. If that occurs, perform anti-resonance control adjustment again to fine-tune the parameters.

 **CAUTION**

- Related parameters will be set automatically when anti-resonance control adjustment is executed. This may greatly affect the response before and after execution. Make sure that you can perform an emergency stop at any time.
- Before you execute anti-resonance control adjustment, set the correct moment of inertia ratio (Pn103). If the setting greatly differs from the actual moment of inertia ratio, normal control of the machine may not be possible, and vibration may occur.



Important

- Anti-resonance control adjustment detects vibration frequencies between 100 Hz and 1,000 Hz. If the vibration frequency is not within this range, use custom tuning with tuning mode 2 selected to automatically set a notch filter or use vibration suppression.
- Vibration reduction can be made more effective by increasing the anti-resonance damping gain (Pn163), but the vibration may become larger if the damping gain is too high. Increase the damping gain by approximately 0% to 200% in 10% increments while checking the effect on vibration. If vibration reduction is still insufficient at a gain of 200%, cancel the setting, and lower the control gain by using a different method, such as custom tuning.



8.9.2 Preparations

Always check the following before you execute anti-resonance control adjustment.

- The tuning-less function must be disabled (Pn170 = n.□□□0).
- The test without a motor function must be disabled (Pn00C = n.□□□0).
- The parameters must not be write prohibited.

8.9.3 Applicable Tools

The following table lists the tools that you can use to perform anti-resonance control adjustment and the applicable tool functions.

Tool	Function	Operating Procedure Reference
Digital Operator	Fn204	 Σ -7-Series Digital Operator Operating Manual (Manual No.: SIEP S800001 33)
SigmaWin+	Tuning - Tuning	 8.9.4 Operating Procedure on page 8-52

8.9.4 Operating Procedure

To execute anti-resonance control adjustment, an operation reference is input, and the adjustment is executed while vibration is occurring.

The following methods can be used to execute anti-resonance control adjustment.


- To automatically detect the vibration frequency
- To manually set the vibration frequency

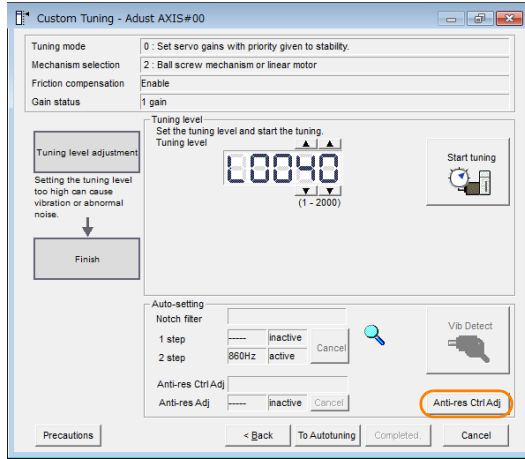
Use the following procedure to perform anti-resonance control.



CAUTION

- Before you execute anti-resonance control adjustment, check the information provided in the SigmaWin+ operating manual.
Observe the following precautions.
 - Make sure that you can perform an emergency stop at any time.
Parameters will be set automatically when anti-resonance control adjustment is executed. This may greatly affect the response before and after execution. Make sure that you can perform an emergency stop (to turn OFF the power supply) at any time.
 - Set the moment of inertia correctly before you execute anti-resonance control adjustment.
If the setting greatly differs from the actual moment of inertia, effective vibration reduction may not be possible.
 - If you have already performed anti-resonance control adjustment and then you change the frequency, the current anti-resonance control effect may be lost. Caution is particularly required when automatically detecting the vibration frequency.
 - If effective vibration reduction is not achieved even after you execute anti-resonance control adjustment, cancel the function and lower the control gain by using a different method, such as custom tuning.
 - Perform custom tuning separately if required to increase the response after performing anti-resonance control adjustment.
If the servo gain is increased, e.g., when custom tuning is performed, vibration may occur again. If that occurs, perform anti-resonance control adjustment again to fine-tune the parameters.

1. Perform steps 1 to 8 of the procedure for custom tuning. Refer to the following section for details.
 8.8.4 Operating Procedure on page 8-43
2. Click the **Anti-res Ctrl Adj Button**.
 The rest of the procedure depends on whether you know the vibration frequency.

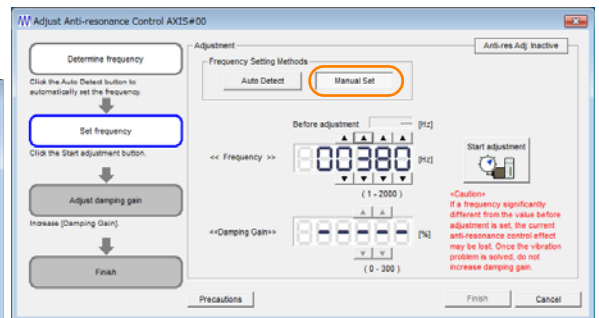
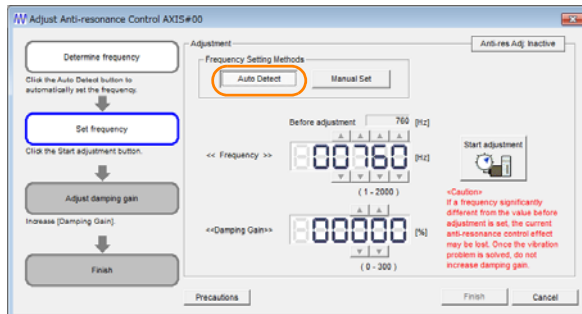


3. If you do not know the vibration frequency, click the **Auto Detect Button**. If you know the vibration frequency, click the **Manual Set Button**.

To Automatically Detect the Vibration Frequency

To Manually Set the Vibration Frequency

The frequency will be set.

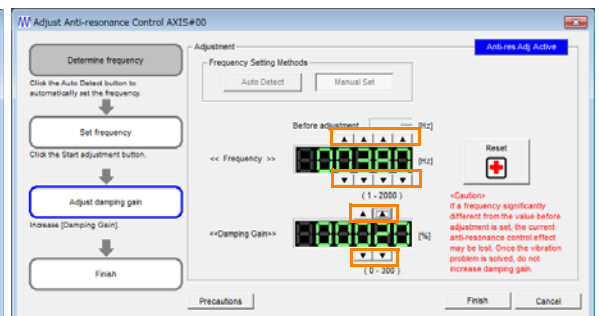
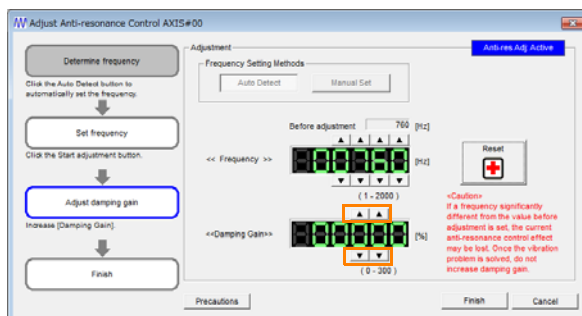


4. Click the **Start adjustment Button**.

5. Use the **▲** and **▼** Buttons in the **Adjustment Area** to change the settings.
 Click the **Reset Button** during tuning to restore the setting to its original value. The tuning level will return to the value from before when custom tuning was started.

To Automatically Detect the Vibration Frequency

To Manually Set the Vibration Frequency
 Change the settings of the frequency and damping gain.



- When the adjustment has been completed, click the **Finish** Button. The values that were changed will be saved in the SERVOPACK and you will return to the Tuning Dialog Box.



This concludes the procedure to set up anti-resonance control.

8.9.5 Related Parameters

The following parameters are automatically adjusted or used as reference when you execute anti-resonance control adjustment.

Do not change the settings while anti-resonance control adjustment is being executed.

Parameter	Name	Automatic Changes
Pn160	Anti-Resonance Control-Related Selections	Yes
Pn161	Anti-Resonance Frequency	Yes
Pn162	Anti-Resonance Gain Correction	No
Pn163	Anti-Resonance Damping Gain	Yes
Pn164	Anti-Resonance Filter Time Constant 1 Correction	No
Pn165	Anti-Resonance Filter Time Constant 2 Correction	No

Yes: The parameter is automatically set.

No: The parameter is not automatically set, but the setting is read during execution.

8.9.6 Suppressing Different Vibration Frequencies with Anti-resonance Control

When you use anti-resonance control and increase the control gain, for some mechanism, vibration can occur at a higher frequency than the frequency for which vibration was suppressed. If this occurs, you can suppress vibration for more than one frequency by adjusting Pn166 (Anti-Resonance Damping Gain 2).

- Information** Guidelines for Vibration That Can Be Suppressed
 Anti-resonance frequency (Pn161): f_a [Hz], Another vibration frequency that occurs when the control gain is increased: f_b [Hz]
- Vibration frequencies: 100 Hz to 1,000 Hz
 - Range of different vibration frequencies: $1 < (f_b/f_a) \leq 3$ to 4


Required Parameter Settings

The following parameter settings are required to use anti-resonance control for more than one vibration frequency.

Parameter		Description	When Enabled	Classification	
Pn160	n.□□□0 (default setting)	Do not use anti-resonance control.	After restart	Setup	
	n.□□□1	Use anti-resonance control.			
Anti-Resonance Frequency					
Pn161	Setting Range	Setting Unit	Default Setting	When Enabled	Classification
	10 to 20,000	0.1 Hz	1000	Immediately	Tuning
Anti-Resonance Gain Correction					
Pn162	Setting Range	Setting Unit	Default Setting	When Enabled	Classification
	1 to 1,000	1%	100	Immediately	Tuning
Anti-Resonance Damping Gain					
Pn163	Setting Range	Setting Unit	Default Setting	When Enabled	Classification
	0 to 300	1%	0	Immediately	Tuning
Anti-Resonance Filter Time Constant 1 Correction					
Pn164	Setting Range	Setting Unit	Default Setting	When Enabled	Classification
	-1,000 to 1,000	0.01 ms	0	Immediately	Tuning
Anti-Resonance Filter Time Constant 2 Correction					
Pn165	Setting Range	Setting Unit	Default Setting	When Enabled	Classification
	-1,000 to 1,000	0.01 ms	0	Immediately	Tuning
Anti-Resonance Damping Gain 2					
Pn166	Setting Range	Setting Unit	Default Setting	When Enabled	Classification
	0 to 1,000	1%	0	Immediately	Tuning

Adjustment Procedure for Suppressing Different Vibration Frequencies with Anti-resonance Control

Use the following procedure to make adjustments to suppress different vibration frequencies with anti-resonance control.

Step	Operation
1	Use the gain adjustment and anti-resonance control. Refer to the following section for details.  8.9.4 Operating Procedure on page 8-52
2	If there is vibration at a higher frequency than the vibration suppressed with anti-resonance control in step 1, adjust Pn166 (Anti-Resonance Damping Gain 2).
3	Adjust Pn166 (Anti-Resonance Damping Gain 2) while checking to see if vibration reduction is effective. To adjust Pn166 (Anti-Resonance Damping Gain 2), increase the setting by 10% at a time starting from the value that resulted in Pn163 (Anti-Resonance Damping Gain) from the adjustment in step 1.
4	If the vibration disappears, the adjustment is completed. However, if the vibration does not disappear even when you adjust Pn166 (Anti-Resonance Damping Gain 2), reduce the tuning level or feedback level until vibration does not occur.

8.10 Vibration Suppression

This section describes vibration suppression.

8.10.1 Outline


You can use vibration suppression to suppress transient vibration at a low frequency from 1 Hz to 100 Hz, which is generated mainly when the machine vibrates during positioning. This is effective for vibration frequencies for which notch filters and anti-resonance control adjustment are not effective.

Vibration suppression is automatically set by autotuning without a host reference or autotuning with a host reference. Use vibration suppression only if fine-tuning is required or readjustment is required as a result of a failure to detect vibration. To execute vibration suppression, input an operation reference and execute the function when there is vibration.

Perform custom tuning if required to increase the response after performing vibration suppression.

⚠ CAUTION

- Related parameters will be set automatically when vibration suppression is executed. This may greatly affect the response before and after execution. Make sure that you can perform an emergency stop at any time.
- Before you execute vibration suppression, set the correct moment of inertia ratio (Pn103) with autotuning without a host reference or another method. If the setting greatly differs from the actual moment of inertia ratio, normal control of the machine may not be possible, and vibration may occur.



Important

- Vibration suppression detects vibration frequencies between 1 Hz and 100 Hz.
- Frequency detection will not be performed if there is no vibration in the position deviation or if the vibration frequency is outside the range of detectable frequencies. If that is a problem, use a device such as a displacement meter or vibration sensor to measure the vibration frequency.
- If an automatically detected vibration frequency is not suppressed, the actual frequency and the detected frequency may be different. Fine-tune the detected frequency if necessary.

Items That Influence Performance

If continuous vibration occurs while the Servomotor is stopping, vibration suppression cannot be used to suppress the vibration effectively. In this case, use anti-resonance control adjustment or custom tuning.

Detection of Vibration Frequencies

Frequency detection may not be possible if vibration does not appear in the position deviation or the vibration that results from the position deviation is too small. You can adjust the detection sensitivity by changing the setting of the residual vibration detection width (Pn560), which is set as a percentage of the positioning completed width (Pn522). Perform the detection of vibration frequencies again after adjusting the setting of Pn560.

Pn560	Residual Vibration Detection Width				
	Setting Range	Setting Unit	Default Setting	When Enabled	Classification
	1 to 3,000	0.1%	400	Immediately	Setup

Note: As a guideline, change the setting 10% at a time. If the setting of this parameter is lowered, the detection sensitivity will be increased. Vibration may not be detected accurately if the setting is too small.

Information The vibration frequencies that are automatically detected may vary somewhat with each positioning operation. Perform positioning several times and make adjustments while checking the effect of vibration suppression.

8.10.2 Preparations

Always check the following before you execute vibration suppression.

- The tuning-less function must be disabled (Pn170 = n.□□□0).
- The test without a motor function must be disabled (Pn00C = n.□□□0).
- The parameters must not be write prohibited.

8.10.3 Applicable Tools

The following table lists the tools that you can use to perform vibration suppression and the applicable tool functions.

Tool	Function	Operating Procedure Reference
Digital Operator	Fn205	Σ-7-Series Digital Operator Operating Manual (Manual No.: S1EP S800001 33)
SigmaWin+	Tuning - Tuning	8.10.4 Operating Procedure on page 8-57

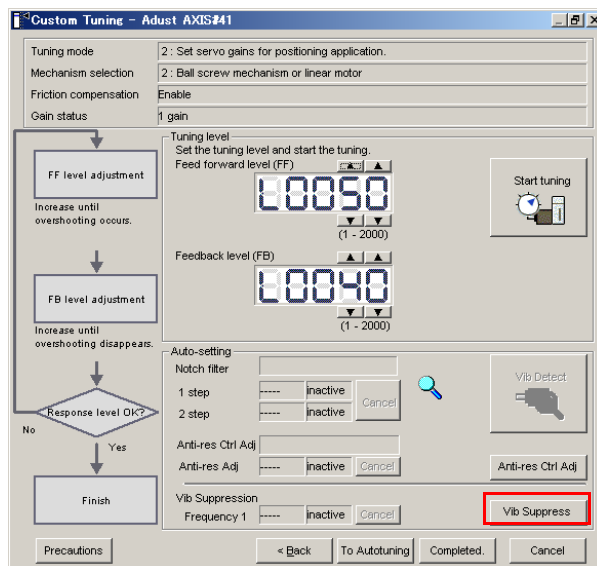
8.10.4 Operating Procedure

Use the following procedure to perform vibration suppression.

1. Perform steps 1 to 8 of the procedure for custom tuning. Refer to the following section for details.

8.8.4 Operating Procedure on page 8-43

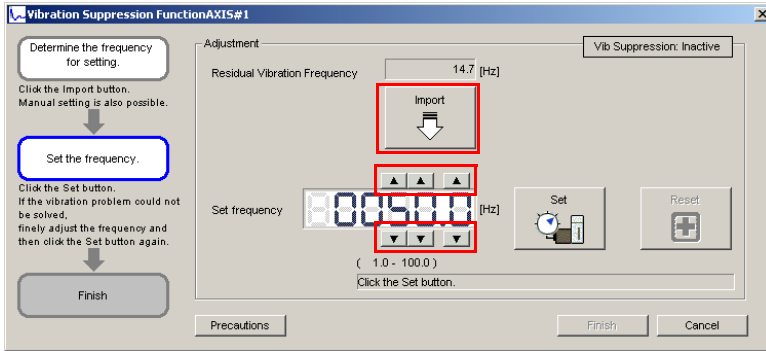
2. Click the **Vib Suppress** Button.




3. Click the **Import** Button or click ▲ and ▼ Button to manually adjust the set frequency. When you click the **Import** Button, the residual vibration frequency in the motor is read as the set frequency. (The frequency can be read only when the residual vibration frequency is between 1.0 and 100.0.)

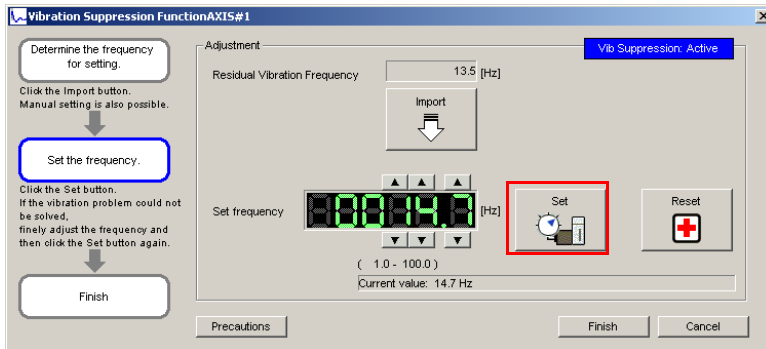


Frequency detection will not be performed if there is no vibration or if the vibration frequency is outside the range of detectable frequencies. If a vibration frequency is not detected, provide a means of measuring the vibration frequency.

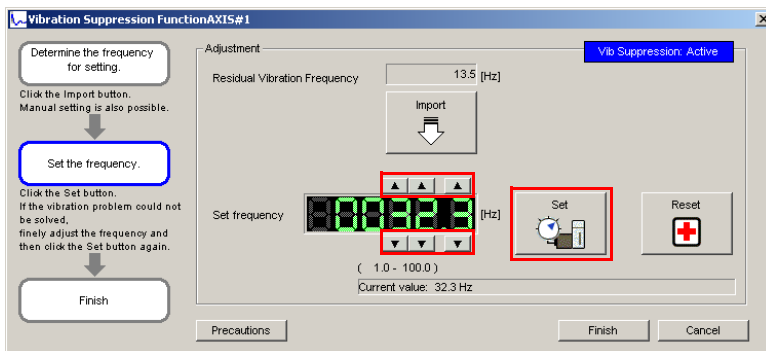


4. Click the **Set** Button.

 **Important** No settings related to vibration suppression are changed during operation. If the Servomotor does not stop within approximately 10 seconds after changing the setting, an update timeout will occur. The setting will be automatically returned to the previous value.




If the vibration is not eliminated, use the ▲ and ▼ Buttons for the set frequency to fine-tune the value and click the **Set** Button again.



Click the **Reset** Button during adjustment to restore the setting to its original value. The status from before when adjustment was started will be restored.

5. When the vibration has been eliminated, click the **Finish** Button.

The updated value will be saved in the SERVOPACK.

 **Important** Vibration suppression will be enabled in step 5. The motor response, however, will change when the Servomotor comes to a stop with no reference input.

This concludes the procedure to set up vibration suppression.

8.10.5 Related Parameters

The following parameters are automatically adjusted or used as reference when you execute vibration suppression.

Do not change the settings while vibration suppression is being executed.

Parameter	Name	Automatic Changes
Pn140	Model Following Control-Related Selections	Yes
Pn141	Model Following Control Gain	Yes
Pn142	Model Following Control Correction	No
Pn143	Model Following Control Bias in the Forward Direction	No
Pn144	Model Following Control Bias in the Reverse Direction	No
Pn145	Vibration Suppression 1 Frequency A	Yes
Pn146	Vibration Suppression 1 Frequency B	Yes
Pn147	Model Following Control Speed Feedforward Compensation	No
Pn14A	Vibration Suppression 2 Frequency	No
Pn14B	Vibration Suppression 2 Correction	No

Yes: The parameter is automatically set.

No: The parameter is not automatically set, but the setting is read during execution.

8.11 Speed Ripple Compensation

This section describes speed ripple compensation.

8.11.1 Outline

Speed ripple compensation reduces the amount of ripple in the motor speed due to torque ripple or cogging torque. You can enable speed ripple compensation to achieve smoother operation. To enable it, you must set up ripple compensation on the SigmaWin+.

WARNING

- Speed ripple compensation requires operating the motor and therefore presents hazards. Observe the following precaution.
Confirm safety around moving parts.
This function involves automatic operation. Make sure that you can perform an emergency stop (to turn OFF the power supply) at any time.



Important

Execute speed ripple compensation only after adjusting the gains.

- Reset speed ripple compensation after you replace the Servomotor or SERVOPACK.
- Execute speed ripple compensation after jogging to a position that ensures a suitable range of motion.

8.11.2 Setting Up Speed Ripple Compensation

Restrictions

The following restrictions apply to the setup for speed ripple compensation.

◆ Systems for Which Execution Cannot Be Performed

There are no restrictions.

◆ Systems for Which Adjustments Cannot Be Made Accurately

Systems for which there is not a suitable range of motion


◆ Preparations

Always check the following before you set up speed ripple compensation.

- The main circuit power supply must be ON.
- The servo must be OFF.
- There must be no alarms or warnings.
- There must be no hard wire base block (HWBB).
- The parameters must not be write prohibited.


Applicable Tools

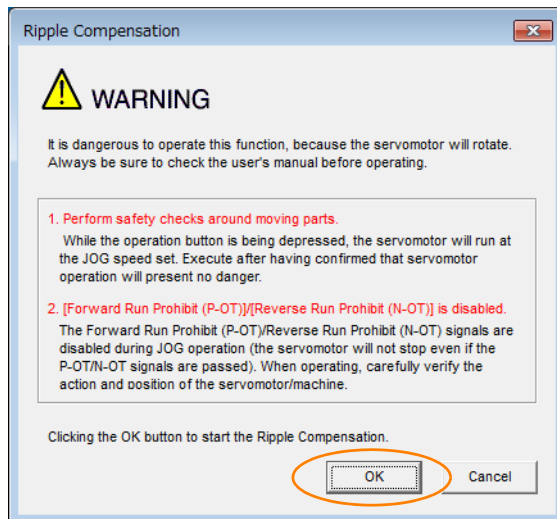
The following table lists the tools that you can use to set up speed ripple compensation and the applicable tool functions.

Tool	Function	Reference
Digital Operator	You cannot set up speed ripple compensation from the Digital Operator.	
SigmaWin+	Solutions – Ripple Compensation	 <i>Operating Procedure</i> on page 8-61

Operating Procedure

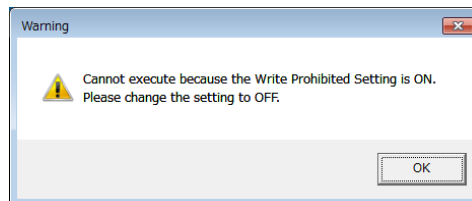
Use the following procedure to set up speed ripple compensation.

1. Click the  Servo Drive Button in the workspace of the Main Window of the SigmaWin+.
2. Select **Ripple Compensation** in the Menu Dialog Box.
The Ripple Compensation Dialog Box will be displayed.
3. Click the **OK** Button.



Information

1. Click the **Cancel** Button to cancel ripple compensation. The Main Window will return.
2. If write protection is set, the following dialog box will be displayed.

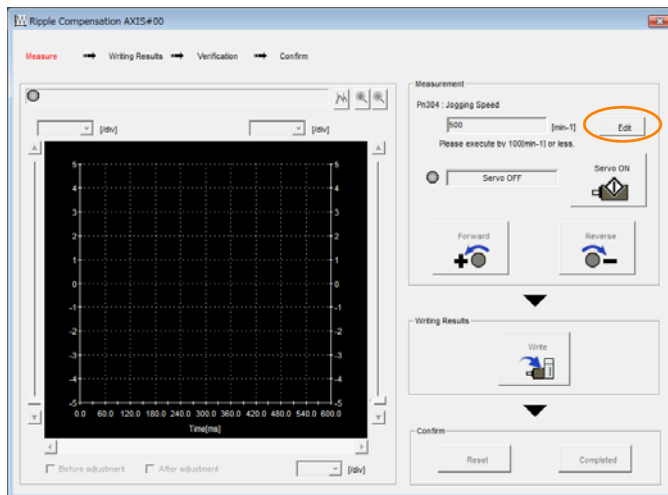


Click the **OK** Button to cancel write prohibition.

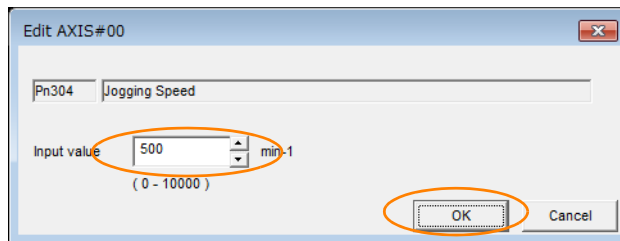
8.11 Speed Ripple Compensation

8.11.2 Setting Up Speed Ripple Compensation

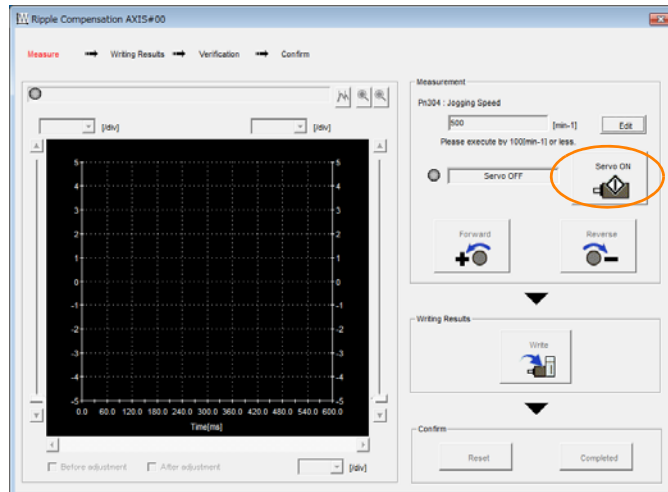
4. Click the **Edit** Button.



5. Enter the jogging speed in the **Input Value Box** and click the **OK** Button.



6. Click the **Servo ON** Button.

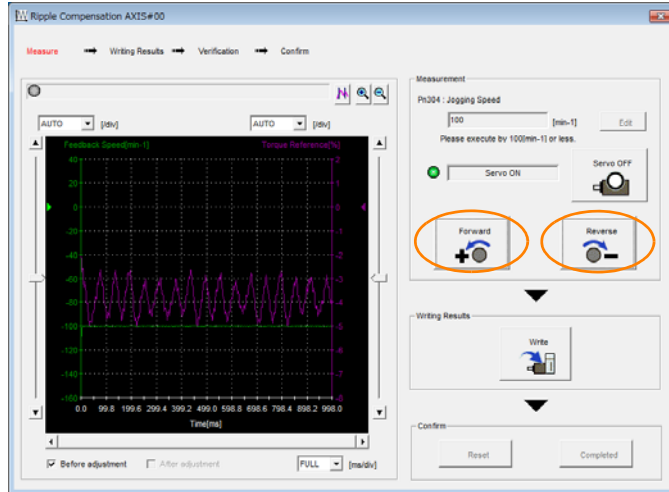


7. Click the **Forward Button** or the **Reverse Button**.

Measurement operation is started.

The motor will rotate at the preset jogging speed while you hold down the **Forward** or **Reverse** Button and the speed ripple will be measured.

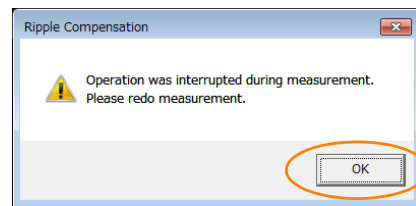
The feedback speed and torque reference graph will be displayed in the Ripple Compensation Dialog Box during jogging.



Important

If the measurement time (i.e., the jogging time) for the speed ripple is too short, speed ripple measurement will not be completed. The following dialog box will be displayed if speed ripple measurement was not completed.

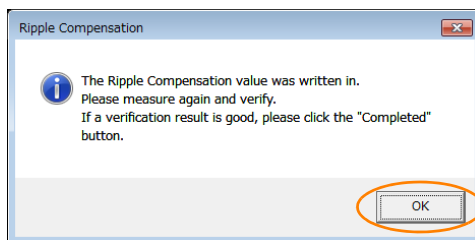
Click the **OK Button** and repeat the measurement.



8. After speed ripple measurement has been completed, click the **Write Button**.

The ripple compensation value will be written to the SERVOPACK.

9. After writing has been completed, click the **OK Button**.

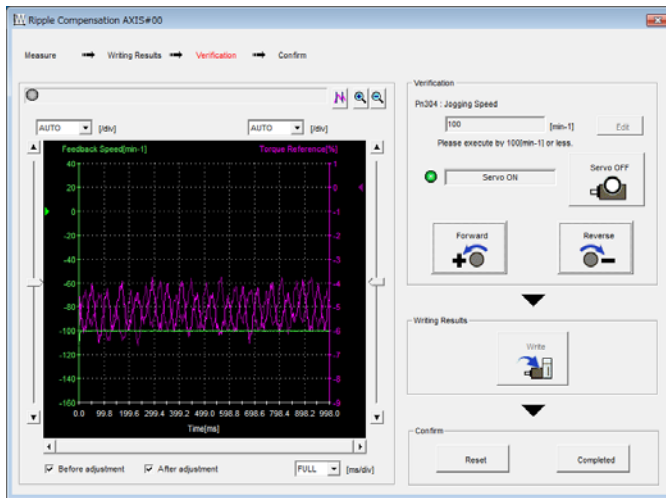


10. Click the Forward Button or the Reverse Button.

Verification operation is started.

The motor will rotate at the preset jogging speed while you hold down the **Forward** or **Reverse** Button.

The waveform with speed ripple compensation applied to it will be displayed.



11. If the verification results are OK, click the Completed Button.

Information To discard the setup results, click the **Reset** Button.

This concludes the setup for speed ripple compensation.

8.11.3 Setting Parameters

The function is enabled when you perform the operating procedure on *Operating Procedure* on page 8-61. To cancel speed ripple compensation, use Pn423 = n.□□□0 (Disable speed ripple compensation) to disable it.

Parameter	Description	When Enabled	Classification
Pn423	n.□□□0 (default setting)	After restart	Setup
	n.□□□1		

If you enable speed ripple compensation, a compensation reference will be applied to reduce ripple even when stopped at a 0 speed reference. In speed control mode, this may result in the motor moving slightly. To prevent this, set Pn423 = n.□X□□ (Speed Ripple Compensation Selections) and Pn427 or Pn49F (Speed Ripple Compensation Enable Speed).

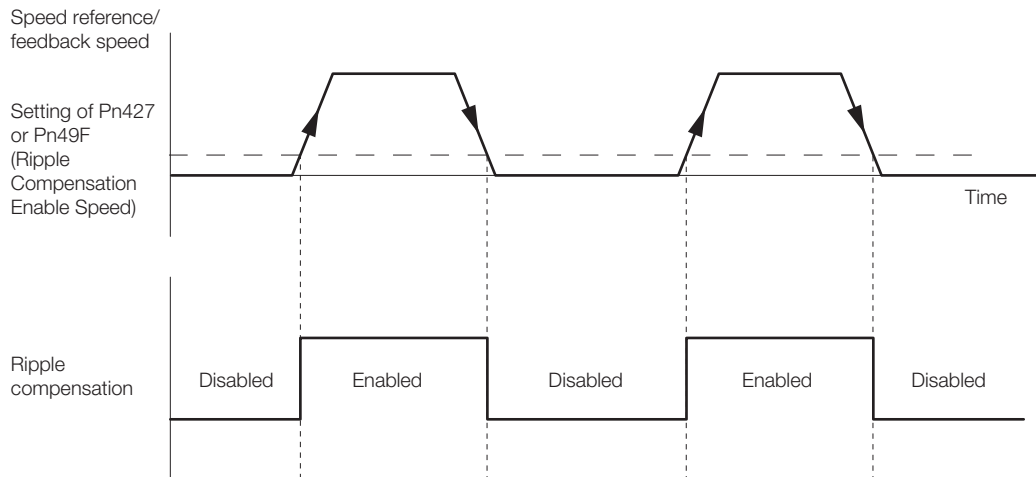
Parameter	Description	When Enabled	Classification
Pn423	n.□0□□ (default setting)	After restart	Setup
	n.□1□□		

- For Rotary Servomotors

Pn427	Speed Ripple Compensation Enable Speed				
	Setting Range	Setting Unit	Default Setting	When Enabled	Classification
	0 to 10,000	1 min ⁻¹	0	Immediately	Tuning

- For Linear Servomotors

Pn49F	Speed Ripple Compensation Enable Speed				
	Setting Range	Setting Unit	Default Setting	When Enabled	Classification
	0 to 10,000	1 mm/s	0	Immediately	Tuning



Speed Ripple Compensation Warnings

The speed ripple compensation value is specific to each Servomotor. If you replace the Servomotor while speed ripple compensation is enabled, an A.942 warning (Speed Ripple Compensation Information Disagreement) will occur to warn you.

You can use any of the following methods to clear A.942.

- Reset the speed ripple compensation value on the SigmaWin+.
- Disable speed ripple compensation (Pn423 = n.□□□0).
- Disable detection of A.942 (Pn423 = n.□□1□).

Parameter		Description	When Enabled	Classification
Pn423	n.□□0□ (default setting)	Detect A.942 alarms.	After restart	Setup
	n.□□1□	Do not detect A.942 alarms.		

8.12 Additional Adjustment Functions

This section describes the functions that you can use to make adjustments after you perform autotuning without a host reference, autotuning with a host reference, and custom tuning.

Function	Reference
Gain Switching	page 8-66
Friction Compensation	page 8-69
Current Control Mode Selection	page 8-73
Current Gain Level Setting	page 8-73
Speed Detection Method Selection	page 8-74
Backlash Compensation	page 8-74

8.12.1 Automatic Gain Switching

You can use gain switching to shorten the positioning time by increasing the gains during positioning and suppressing vibration by decreasing the gains while stopping.

Parameter	Function	When Enabled	Classification
Pn139	n.□□□0 (default setting)	Disable automatic gain switching.	Immediately Tuning
	n.□□□2	Enable automatic gain switching.	

Note: Pn139 = n.□□□1 is a reserved setting. Do not use this setting.

Gain Switching Combinations

Selected Gains	Speed Loop Gain	Speed Loop Integral Time Constant	Position Loop Gain	Torque Reference Filter	Friction Compensation Gain
Gain Settings 1	Speed Loop Gain (Pn100)	Speed Loop Integral Time Constant (Pn101)	Position Loop Gain (Pn102)	First Stage First Torque Reference Filter Time Constant (Pn401)	Friction Compensation Gain (Pn121)
Gain Settings 2	Second Speed Loop Gain (Pn104)	Second Speed Loop Integral Time Constant (Pn105)	Second Position Loop Gain (Pn106)	First Stage Second Torque Reference Filter Time Constant (Pn412)	Second Friction Compensation Gain (Pn122)

Note: Automatic gain switching is not supported for the model following control gain and the model following control gain correction.

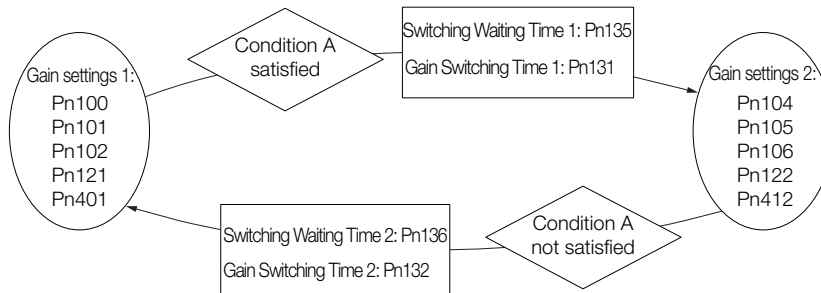
The switching condition is specified by using the following setting.

Parameter	Switching Condition	Selected Gains	Switching Waiting Time	Switching Time
Pn139	n.□□□2	Gain settings 1 to gain settings 2	Gain Switching Waiting Time 1 Pn135	Gain Switching Time 1 Pn131
		Gain settings 2 to gain settings 1	Gain Switching Waiting Time 2 Pn136	Gain Switching Time 2 Pn132

Select one of the following settings for switching condition A.

Parameter	Position Control Gain Switching Condition A	For Control Methods Other Than Position Control (No Switching)	When Enabled	Classification	
Pn139	n.□□0□ (default setting)	/COIN (Positioning Completion Output) signal turns ON.	Gain settings 1 used.	Immediately	Tuning
	n.□□1□	/COIN (Positioning Completion Output) signal turns OFF.	Gain settings 2 used.		
	n.□□2□	/NEAR (Near Output) signal turns ON.	Gain settings 1 used.		
	n.□□3□	/NEAR (Near Output) signal turns OFF.	Gain settings 2 used.		
	n.□□4□	Position reference filter output is 0 and position reference input is OFF.	Gain settings 1 used.		
	n.□□5□	Position reference input is ON.	Gain settings 2 used.		

Automatic Switching Pattern 1 (Pn139 = n.□□□2)



Information

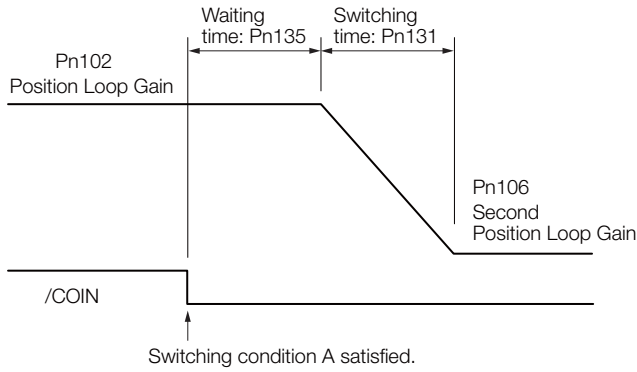
/COIN (Positioning Completion Output) Signal and /NEAR (Near Output) Signal

A SERVOPACK with a DeviceNet Module does not have /COIN (Positioning Completion Output) and /NEAR (Near Output) signals. Here, the following conditions are treated as the active signal status.

- /COIN (Positioning Completion Output) signal: The conditions for both Pn522 (Positioning Completed Width) and Pn207 (/COIN (Positioning Completion Output) Signal Output Timing) have been met.
- /NEAR (Near Output) signal: The current condition is equal to or less than the setting of Pn524 (Near Signal Width).

◆ Relationship between the Waiting Times and Switching Times for Gain Switching

In this example, an ON /COIN (Positioning Completion Output) signal is set as the condition for automatic gain switching. The position loop gain is changed from the value in Pn102 (Position Loop Gain) to the value in Pn106 (Second Position Loop Gain). When the /COIN signal turns ON, the switching operation begins after the waiting time (Pn135). The switching operation changes the position loop gain linearly from the gain set in Pn102 to the gain set in Pn106 over the switching time (Pn131).



Information You can use gain switching for either PI control or I-P control (Pn10B = n.□□0□ or □□1□).

Related Parameters

Pn100	Speed Loop Gain				
	Setting Range	Setting Unit	Default Setting	When Enabled	Classification
	10 to 20,000	0.1 Hz	400	Immediately	Tuning
Pn101	Speed Loop Integral Time Constant				
	Setting Range	Setting Unit	Default Setting	When Enabled	Classification
	15 to 51,200	0.01 ms	2,000	Immediately	Tuning
Pn102	Position Loop Gain				
	Setting Range	Setting Unit	Default Setting	When Enabled	Classification
	10 to 20,000	0.1/s	400	Immediately	Tuning
Pn401	First Stage First Torque Reference Filter Time Constant				
	Setting Range	Setting Unit	Default Setting	When Enabled	Classification
	0 to 65,535	0.01 ms	100	Immediately	Tuning
Pn121	Friction Compensation Gain				
	Setting Range	Setting Unit	Default Setting	When Enabled	Classification
	10 to 1,000	1%	100	Immediately	Tuning
Pn104	Second Speed Loop Gain				
	Setting Range	Setting Unit	Default Setting	When Enabled	Classification
	10 to 20,000	0.1 Hz	400	Immediately	Tuning
Pn105	Second Speed Loop Integral Time Constant				
	Setting Range	Setting Unit	Default Setting	When Enabled	Classification
	15 to 51,200	0.01 ms	2,000	Immediately	Tuning
Pn106	Second Position Loop Gain				
	Setting Range	Setting Unit	Default Setting	When Enabled	Classification
	10 to 20,000	0.1/s	400	Immediately	Tuning
Pn412	First Stage Second Torque Reference Filter Time Constant				
	Setting Range	Setting Unit	Default Setting	When Enabled	Classification
	0 to 65,535	0.01 ms	100	Immediately	Tuning
Pn122	Second Friction Compensation Gain				
	Setting Range	Setting Unit	Default Setting	When Enabled	Classification
	10 to 1,000	1%	100	Immediately	Tuning

Parameters Related to Automatic Gain Switching

Pn131	Gain Switching Time 1				
	Setting Range	Setting Unit	Default Setting	When Enabled	Classification
	0 to 65,535	1 ms	0	Immediately	Tuning
Pn132	Gain Switching Time 2				
	Setting Range	Setting Unit	Default Setting	When Enabled	Classification
	0 to 65,535	1 ms	0	Immediately	Tuning
Pn135	Gain Switching Waiting Time 1				
	Setting Range	Setting Unit	Default Setting	When Enabled	Classification
	0 to 65,535	1 ms	0	Immediately	Tuning
Pn136	Gain Switching Waiting Time 2				
	Setting Range	Setting Unit	Default Setting	When Enabled	Classification
	0 to 65,535	1 ms	0	Immediately	Tuning

Related Monitoring

- SigmaWin+
You can monitor gain switching with the status monitor or with tracing.
- Analog Monitors

Parameter	Analog Monitor	Monitor Name	Output Value	Description
Pn006	n.□□0B	Active Gain Monitor	1 V	Gain settings 1 are enabled.
Pn007			2 V	Gain settings 2 are enabled.

8.12.2 Friction Compensation

Friction compensation is used to compensate for viscous friction fluctuations and regular load fluctuations.

You can automatically adjust friction compensation with autotuning without a host reference, autotuning with a host reference, or custom tuning, or you can manually adjust it with the following procedure.

Required Parameter Settings

The following parameter settings are required to use friction compensation.

Parameter	Function	When Enabled	Classification
Pn408	n.0□□□ (default setting)	Immediately	Setup
	n.1□□□		
Pn121	Friction Compensation Gain		
	Setting Range	Setting Unit	Default Setting
	10 to 1,000	1%	100
Pn122	Second Friction Compensation Gain		
	Setting Range	Setting Unit	Default Setting
	10 to 1,000	1%	100
Pn123	Friction Compensation Coefficient		
	Setting Range	Setting Unit	Default Setting
	0 to 100	1%	0
Pn124	Friction Compensation Frequency Correction		
	Setting Range	Setting Unit	Default Setting
	-10,000 to 10,000	0.1 Hz	0
Pn125	Friction Compensation Gain Correction		
	Setting Range	Setting Unit	Default Setting
	1 to 1,000	1%	100

Operating Procedure for Friction Compensation

Use the following procedure to perform friction compensation.

⚠ CAUTION

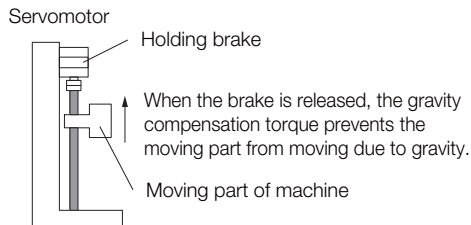
- Before you execute friction compensation, set the moment of inertia ratio (Pn103) as accurately as possible. If the setting greatly differs from the actual moment of inertia, vibration may occur.

Step	Operation
1	Set the following parameters related to friction compensation to their default settings. Friction compensation gain (Pn121): 100 Second friction compensation gain (Pn122): 100 Friction compensation coefficient (Pn123): 0 Friction compensation frequency correction (Pn124): 0 Friction compensation gain correction (Pn125): 100 Note: Always use the default settings for the friction compensation frequency correction (Pn124) and friction compensation gain correction (Pn125).
2	Gradually increase the friction compensation coefficient (Pn123) to check the effect of friction compensation. Note: Usually, set the friction compensation coefficient (Pn123) to 95% or less. If the effect is insufficient, increase the friction compensation gain (Pn121) by 10% increments until vibration stops. Effect of Adjusted Parameters Pn121: Friction Compensation Gain and Pn122: Second Friction Compensation Gain These parameters set the response to external disturbances. The higher the setting is, the better the response will be. If the machine has a resonance frequency, however, vibration may occur if the setting is too high. Pn123: Friction Compensation Coefficient This parameter sets the effect of friction compensation. The higher the setting is, the more effective friction compensation will be. If the setting is too high, however, vibration will occur more easily. Usually, set the value to 95% or less.
3	Effect of Adjustments The following graphs show the response with and without adjustment. <div style="text-align: center; margin-top: 10px;"> </div>

8.12.3 Gravity Compensation

When the Servomotor is used with a vertical axis, gravity compensation prevents the moving part from falling due to the machine's own weight when the brake is released.

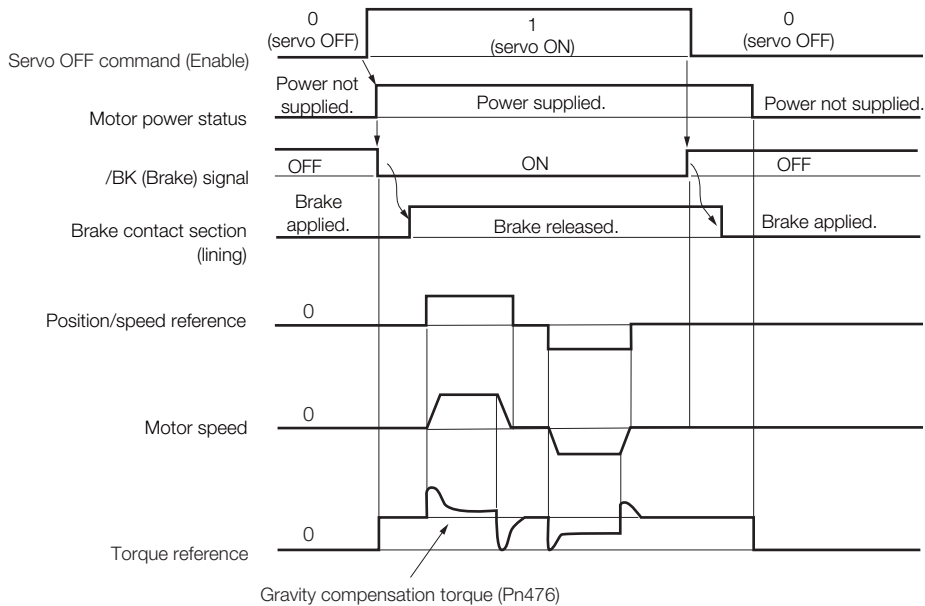
SERVOPACKs with software version 0023 or higher support gravity compensation.



A timing chart for when the moving part is raised then lowered is provided below.

Refer to the following section for details on brake operation timing.

5.11.1 Brake Operating Sequence on page 5-30



Required Parameter Settings

The following parameter settings are required to use gravity compensation.

Parameter	Description	When Enabled	Classification
Pn475	n.□□□0 (default setting)	After restart	Setup
	n.□□□1		
Pn476	Gravity Compensation Torque		
	Setting Range	Setting Unit	Default Setting
	-1,000 to 1,000	0.1%	0
		When Enabled	Classification
		Immediately	Tuning

Operating Procedure for Gravity Compensation

Use the following procedure to perform gravity compensation.

1. Set Pn475 to n.□□□1 (Enable gravity compensation).
2. To enable changes to the settings, turn the power supply to the SERVOPACK OFF and ON again.
3. Use SigmaWin+ or an analog monitor to find the torque reference value when the motor is stopped with the servo ON.
4. Set the torque reference value found in step 3 in Pn476 (Gravity Compensation Torque).
5. Turn the servo ON and OFF a few times and fine-tune Pn476 so that the moving part of the machine does not fall.

8.12.4 Current Control Mode Selection

Current control mode selection reduces high-frequency noise while the Servomotor is being stopped.

The setting depends on the capacity of the SERVOPACK.

To use current control mode selection, use current control mode 2 (set Pn009 to n.□□1□ or n.□□2□).

- SERVOPACK Models SGD7S-R70A, -R90A, -1R6A, -2R8A, -3R8A, -5R5A, and -7R6A

Parameter		Meaning	When Enabled	Classification
Pn009	n. □□0□	Use current control mode 1.	After restart	Tuning
	n. □□1□ (default setting)			
	n. □□2□	Use current control mode 2 (low noise).		

- SERVOPACK Models SGD7S-120A, -180A, -200A, -330A, -470A, -550A, -590A, and -780A

Parameter		Meaning	When Enabled	Classification
Pn009	n. □□0□	Use current control mode 1.	After restart	Tuning
	n. □□1□ (default setting)			
	n. □□2□	Use current control mode 2 (low noise).		



If current control mode 2 is selected, the load ratio may increase while the Servomotor is being stopped.

8.12.5 Current Gain Level Setting

You can set the current gain level to reduce noise by adjusting the parameter for current control inside the SERVOPACK according to the speed loop gain (Pn100). The noise level can be reduced by decreasing the current gain level (Pn13D) from its default setting of 2,000% (disabled). However, if the setting is decreased, the level of noise will be lowered, but the response characteristic of the SERVOPACK will also be reduced. Adjust the current gain level within the range that maintains the SERVOPACK response characteristic.

Pn13D	Current Gain Level				
	Setting Range	Setting Unit	Default Setting	When Enabled	Classification
	100 to 2,000	1%	2,000	Immediately	Tuning




If the current gain level is changed, the response characteristic of the speed loop will also change. Servo tuning must therefore be performed again.

8.12.6 Speed Detection Method Selection

You can use the speed detection method selection to ensure smooth Servomotor speed changes during operation. To ensure smooth motor speed changes during operation, set Pn009 to n.□□□□ (Use speed detection 2).

With a Linear Servomotor, you can reduce the noise level of the running motor when the linear encoder scale pitch is large.

Parameter	Meaning	When Enabled	Classification
Pn009	n. □□□□ (default setting)	After restart	Tuning
	n. □1□□		



If the speed detection method is changed, the response characteristic of the speed loop will also change. Servo tuning must therefore be performed again.

8.12.7 Speed Feedback Filter

You can set a first order lag filter for the speed feedback in the speed loop. This ensures smooth changes in the feedback speed to reduce vibration. If a large value is set, it will increase the delay and make response slower.

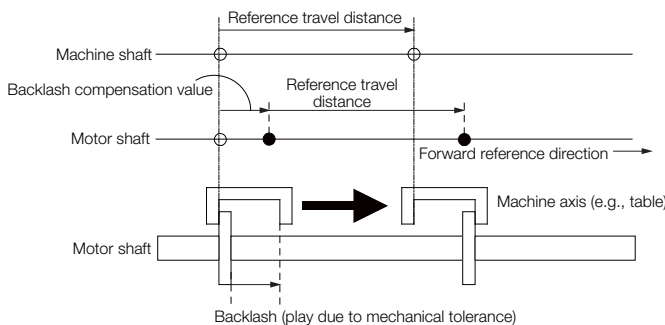
Pn308	Speed Feedback Filter Time Constant				
	Setting Range	Setting Unit	Default Setting	When Enabled	Classification
	0 to 65,535 (0.00 ms to 655.35 ms)	0.01 ms	0 (0.00 ms)	Immediately	Setup

8.12.8 Backlash Compensation

Outline

If you drive a machine that has backlash, there will be deviation between the travel distance in the position reference that is managed by the host controller and the travel distance of the actual machine. Use backlash compensation to add the backlash compensation value to the position reference and use the result to drive the Servomotor. This will ensure that the travel distance of the actual machine will be the same as the travel distance in the host controller.

Note: Backlash compensation can be used only with a Rotary Servomotor.



Related Parameters

Set the following parameters to use backlash compensation.

◆ Backlash Compensation Direction

Set the direction in which to apply backlash compensation.

	Parameter	Meaning	When Enabled	Classification
Pn230	n. □□□0 (default setting)	Compensate forward references.	After restart	Setup
	n. □□□1	Compensate reverse references.		

◆ Backlash Compensation Value

Set the amount of backlash compensation to add to the position reference.

The amount is set in increments of 0.1 reference unit. However, when the amount is converted to encoder pulses, it is rounded off at the decimal point.

Example When Pn231 = 6,553.6 [reference units] and electronic gear ratio (Pn20E/Pn210) = 4/1:
 $6,553.6 \times 4 = 26,214.4$ [pulses]
 \Rightarrow The backlash compensation will be 26,214 encoder pulses.

Pn231	Backlash Compensation				
	Setting Range	Setting Unit	Default Setting	When Enabled	Classification
	-500,000 to 500,000	0.1 reference units	0	Immediately	Setup




Important

- The backlash compensation value is restricted by the following formula. Backlash compensation is not performed if this condition is not met.

$$Pn231 \leq \frac{Pn210}{Pn20E} \times \frac{\text{Maximum motor speed [min}^{-1}\text{]}}{60} \times \text{Encoder resolution}^* \times 0.00025$$

*Refer to the following section for the encoder resolution.

 5.14 Electronic Gear Settings on page 5-40

With fully-closed loop control, substitute the number of external encoder pulses per motor rotation for the encoder resolution in the above formula.

Example 1:

Pn20E = 4, Pn210 = 1, Maximum motor speed = 6,000 [min⁻¹], and Encoder resolution = 16,777,216 (24 bits)

$1/4 \times 6,000/60 \times 16,777,216 \times 0.00025 = 104,857.6$ [reference units]

\Rightarrow The backlash compensation will be limited to 104,857.6 reference units.

Example 2:

Pn20E = 4, Pn210 = 1, Maximum motor speed = 6,000 [min⁻¹], Number of External Encoder Pitches (Pn20A) = 500, and Use of the JZDP-H00□-000 (signal resolution: 1/256):

$1/4 \times 6,000/60 \times (500 \times 256) \times 0.00025 = 800.0$ [reference units]

\Rightarrow The backlash compensation will be limited to 800.0 reference units.

- Do not exceed the upper limit of the backlash compensation value. You can check the upper limit on the operation monitor of the SigmaWin+.

◆ Backlash Compensation Time Constant

You can set a time constant for a first order lag filter for the backlash compensation value (Pn231) that is added to the position reference.

If you set Pn233 (Backlash Compensation Time Constant) to 0, the first order lag filter is disabled.

Pn233	Backlash Compensation Time Constant				
	Setting Range	Setting Unit	Default Setting	When Enabled	Classification
	0 to 65,535	0.01 ms	0	Immediately	Setup

Note: Changes to the settings are applied when there is no reference pulse input and the Servomotor is stopped. The current operation is not affected if the setting is changed during motor operation.

Related Monitoring


You can monitor the following values on the operation monitor of the SigmaWin+.

Displayed Value	Setting Unit
Current Backlash Compensation Value	0.1 reference units
Backlash Compensation Value Setting Limit	0.1 reference units

Compensation Operation

This section describes the operation that is performed for backlash compensation.

Note: The following figures are for when backlash compensation is applied to references in the forward direction (Pn230 = n.□□□0). The following monitor information is provided in the figures: TPOS (target position in the reference coordinate system), POS (reference position in the reference coordinate system), and APOS (feedback position in the machine coordinate system). The monitor information includes the feedback position in machine coordinate system (APOS) and other feedback information. The backlash compensation value is subtracted from the feedback positions in the monitor information, so it is not necessary for the host controller to consider the backlash compensation value.

 CAUTION
<ul style="list-style-type: none"> ● The encoder divided pulse output will output the number of encoder pulses for which driving was actually performed, including the backlash compensation value. If you use the encoder output pulses for position feedback at the host controller, you must consider the backlash compensation value.

◆ Operation When the Servo Is ON

The backlash compensation value (Pn231) is added in the backlash compensation direction when the servo is ON (i.e., while power is supplied to the motor) and a reference is input in the same direction as the backlash compensation direction (Pn230.0 = n.□□□X).

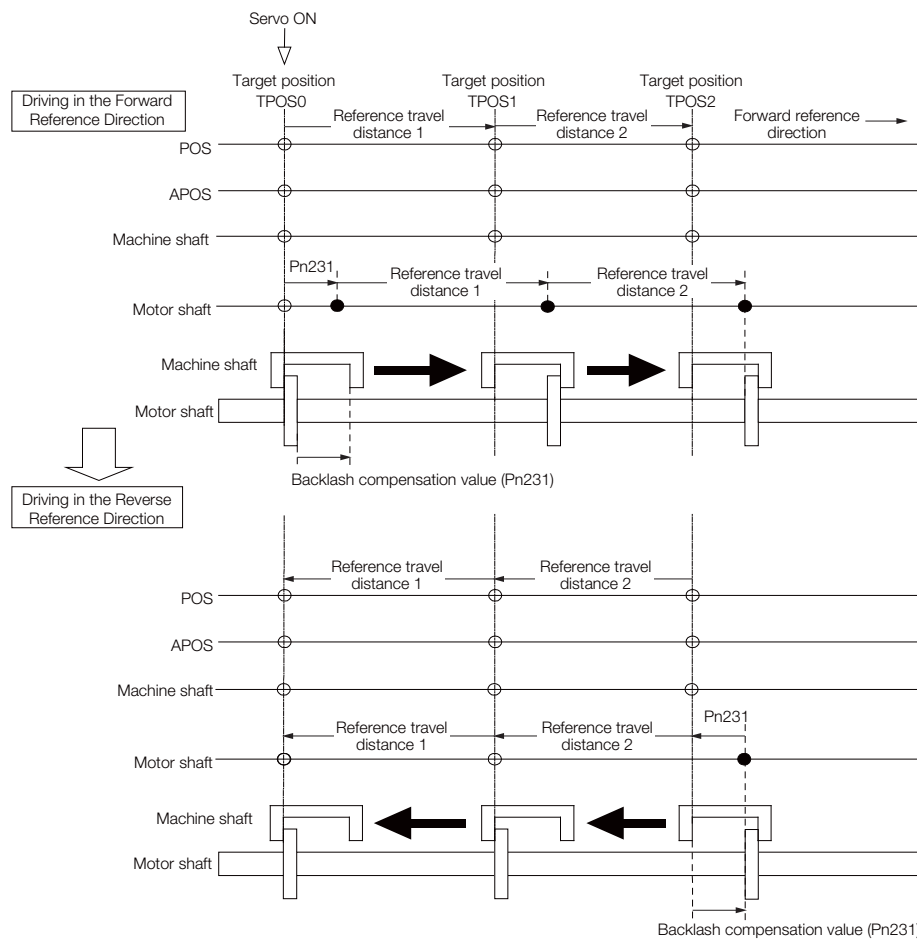
When there is a reference input in the direction opposite to the backlash compensation direction, the backlash compensation value is not added (i.e., backlash compensation is not performed).

The relationship between APOS and the motor shaft position is as follows:

- If a reference is input in the compensation direction: $APOS = \text{Motor shaft position} - Pn231$
- If a reference is input in the direction opposite to the compensation direction: $APOS = \text{Motor shaft position}$

The following figure shows driving the Servomotor in the forward direction from target position TPOS0 to TPOS1 and then to TPOS2, and then returning from TPOS2 to TPOS1 and then to TPOS0.

Backlash compensation is applied when moving from TPOS0 to TPOS1, but not when moving from TPOS2 to TPOS1.



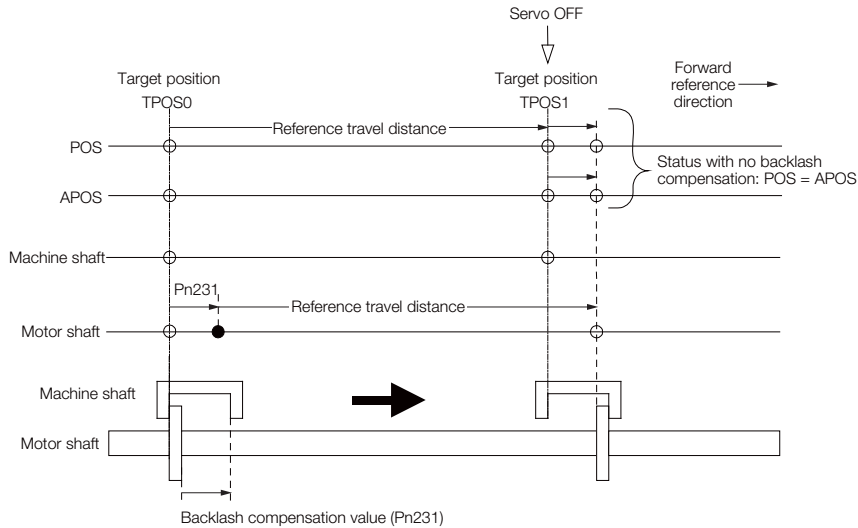
◆ Operation When the Servo Is OFF

Backlash compensation is not applied when the servo is OFF (i.e., when power is not supplied to motor). Therefore, the reference position POS is moved by only the backlash compensation value.

The relationship between APOS and the motor shaft position is as follows:

- When servo is OFF: APOS = Servomotor shaft position

The following figure shows what happens when the servo is turned OFF after driving the Servomotor in the forward direction from target position TPOS0 to TPOS1. Backlash compensation is not applied when the servo is OFF. (The SERVOPACK manages the position data so that APOS and POS are the same.)



◆ Operation When There Is Overtravel

When there is overtravel (i.e., when driving is prohibited due to an overtravel signal or software limit), the operation is the same as for when the servo is OFF (◆ Operation When the Servo Is OFF on page 8-78), i.e., backlash compensation is not applied.

Related Monitoring

You can monitor the following values on the operation monitor of the SigmaWin+.

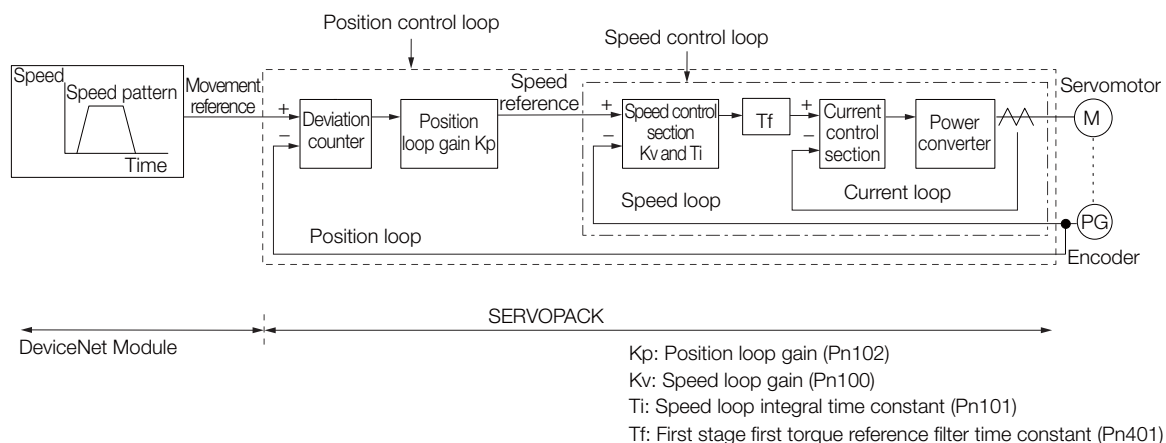
Displayed Value	Unit	Specification
Input Reference Pulse Speed	min ⁻¹	Displays the input reference pulse speed before backlash compensation.
Position Deviation	Reference units	Displays the position deviation for the position reference after backlash compensation.
Input Reference Pulse Counter	Reference units	Displays the input reference pulse counter before backlash compensation.
Feedback Pulse Counter	Encoder pulses	Displays the number of pulses from the actually driven motor encoder.
Fully-Closed Feedback Pulse Counter	External encoder resolution	Displays the number of pulses of the actually driven external encoder.
Feedback Pulse Counter	Reference units	Displays the number of pulses from the actually driven encoder in reference units.

8.13 Manual Tuning

This section describes manual tuning.

8.13.1 Tuning the Servo Gains

Servo Gains



In order to manually tune the servo gains, you must understand the configuration and characteristic of the SERVOPACK and adjust the servo gains individually. In most cases, if you greatly change any one parameter, you must adjust the other parameters again. To check the response characteristic, you must prepare a measuring instrument to monitor the output waveforms from the analog monitor.

The SERVOPACK has three feedback systems (the position loop, speed loop, and current loop), and the response characteristic must be increased more with the inner loops. If this relationship is not maintained, the response characteristic will suffer and vibration will occur more easily.

A sufficient response characteristic is ensured for the current loop. There is never a need for it to be adjusted by the user.

Outline

You can use manual tuning to set the servo gains in the SERVOPACK to increase the response characteristic of the SERVOPACK and to reduce the positioning time.

Use manual tuning in the following cases.

- When tuning with autotuning without a host reference or autotuning with a host reference does not achieve the desired results
- When you want to increase the servo gains higher than the gains that resulted from autotuning without a host reference or autotuning with a host reference
- When you want to determine the servo gains and moment of inertia ratio yourself


You start manual tuning either from the default parameter settings or from the gain settings that resulted from autotuning without a host reference or autotuning with a host reference.

Applicable Tools

You can monitor the servo gains with the SigmaWin+ or with the analog monitor.

Precautions

Vibration may occur while you are tuning the servo gains. We recommend that you enable vibration alarms (Pn310 = n.□□□2) to detect vibration. Refer to the following section for information on vibration detection.

 6.11 *Initializing the Vibration Detection Level* on page 6-26

Vibration alarms are not detected for all vibration. Also, an emergency stop method is necessary to stop the machine safely when an alarm occurs. You must provide an emergency stop device and activate it immediately whenever vibration occurs.

Tuning Procedure Example

Step	Description
1	Adjust the first stage first torque reference filter time constant (Pn401) so that vibration does not occur.
2	Increase the position loop gain (Pn100) and reduce the speed loop integral time constant (Pn101) as far as possible within the range that does not cause machine vibration.
3	Repeat steps 1 and 2 and return the settings about 10% to 20% from the values that you set.
4	Increase the position loop gain (Pn102) within the range that does not cause vibration.

Information

If you greatly change any one servo gain parameter, you must adjust the other parameters again. Do not increase the setting of just one parameter. As a guideline, adjust the settings of the servo gains by approximately 5% each. As a rule, change the servo parameters in the following order.

- To Increase the Response Speed
 1. Reduce the torque reference filter time constant.
 2. Increase the speed loop gain.
 3. Decrease the speed loop integral time constant.
 4. Increase the position loop gain.

- To Reduce Response Speed and to Stop Vibration and Overshooting
 1. Reduce the position loop gain.
 2. Increase the speed loop integral time constant.
 3. Decrease the speed loop gain.
 4. Increase the torque filter time constant.

Adjusted Servo Gains

You can set the following gains to adjust the response characteristic of the SERVOPACK.

- Pn100: Speed Loop Gain
- Pn101: Speed Loop Integral Time Constant
- Pn102: Position Loop Gain
- Pn401: First Stage First Torque Reference Filter Time Constant

◆ Position Loop Gain

The position loop gain determines the response characteristic of the position loop in the SERVOPACK. If you can increase the setting of the position loop gain, the response characteristic will improve and the positioning time will be shortened. However, you normally cannot increase the position loop gain higher than the inherit vibration frequency of the machine system. Therefore, to increase the setting of the position loop gain, you must increase the rigidity of the machine to increase the inherit vibration frequency of the machine.

Pn102	Position Loop Gain				
	Setting Range	Setting Unit	Default Setting	When Enabled	Classification
	10 to 20,000	0.1/s	400	Immediately	Tuning

Information

For machines for which a high position loop gain (Pn102) cannot be set, overflow alarms can occur during high-speed operation. If that is the case, you can increase the setting of the following parameter to increase the level for alarm detection. Use the following condition as a guideline for determining the setting.

$$Pn520 \geq \frac{\text{Maximum feed speed [reference units/s]}}{Pn102 \div 10 (1/s)} \times 2.0$$

If you use a position reference filter, transient deviation will increase due to the filter time constant. When you make the setting, consider deviation accumulation that may result from the filter.

Pn520	Position Deviation Overflow Alarm Level				
	Setting Range	Setting Unit	Default Setting	When Enabled	Classification
	1 to 1,073,741,823	1 reference unit	5,242,880	Immediately	Setup

◆ Speed Loop Gain

This parameter determines the response characteristic of the speed loop. If the response characteristic of the speed loop is low, it becomes a delay factor for the position loop located outside of the speed loop. This will result in overshooting and vibration in the speed reference. Therefore, setting the speed loop gain as high as possible within the range that will not cause the machine system to vibrate will produce a stable servo system with a good response characteristic.

Pn100	Speed Loop Gain				
	Setting Range	Setting Unit	Default Setting	When Enabled	Classification
	10 to 20,000	0.1 Hz	400	Immediately	Tuning

$$\text{Setting of Pn103} = \frac{\text{Load moment of inertia at motor shaft } (J_L)}{\text{Servomotor moment of inertia } (L_M)} \times 100(\%)$$

The default setting of Pn103 (Moment of Inertia Ratio) is 100. Before you tune the servo, calculate the moment of inertia ratio with the above formula and set Pn103 to the calculation result.

Pn103	Moment of Inertia Ratio				
	Setting Range	Setting Unit	Default Setting	When Enabled	Classification
	0 to 20,000	1%	100	Immediately	Tuning

◆ Speed Loop Integral Time Constant

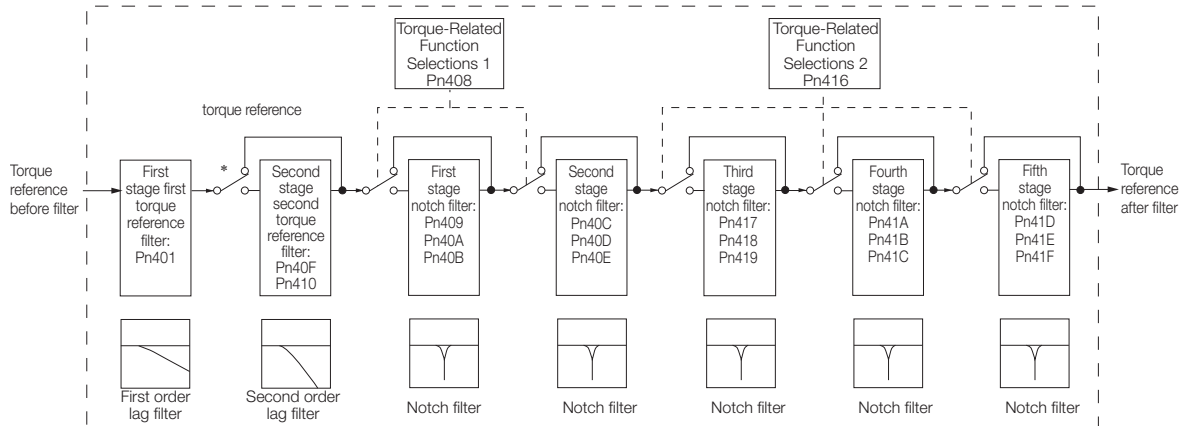
To enable response to even small inputs, the speed loop has an integral element. The integral element becomes a delay factor in the servo system. If the time constant is set too high, overshooting will occur, positioning settling time will increase, and the response characteristic will suffer.

Pn101	Speed Loop Integral Time Constant				
	Setting Range	Setting Unit	Default Setting	When Enabled	Classification
	15 to 51,200	0.01 ms	2,000	Immediately	Tuning

◆ Torque Reference Filter

As shown in the following diagram, the torque reference filter contains a first order lag filter and notch filters arranged in series, and each filter operates independently.

The notch filters can be enabled and disabled with Pn408 = n.□X□X and Pn416 = n.□XXX.



* The second stage second torque reference filter is disabled when Pn40F is set to 5,000 (default setting) and it is enabled when Pn40F is set to a value lower than 5,000.

■ Torque Reference Filter

If you suspect that machine vibration is being caused by the Servo Drive, try adjusting the torque reference filter time constant. This may stop the vibration. The lower the value, the better the control response characteristic will be, but there may be a limit depending on the machine conditions.

First Stage First Torque Reference Filter Time Constant					
Pn401	Setting Range	Setting Unit	Default Setting	When Enabled	Classification
	0 to 65,535	0.01 ms	100	Immediately	Tuning
Second Stage Second Torque Reference Filter Frequency					
Pn40F	Setting Range	Setting Unit	Default Setting	When Enabled	Classification
	100 to 5,000	1 Hz	5000*	Immediately	Tuning
Second Stage Second Torque Reference Filter Q Value					
Pn410	Setting Range	Setting Unit	Default Setting	When Enabled	Classification
	50 to 100	0.01	50	Immediately	Tuning

* The filter is disabled if you set the parameter to 5,000.

■ Notch Filters

The notch filter can eliminate specific frequency elements generated by the vibration of sources such as resonance of the shaft of a ball screw.

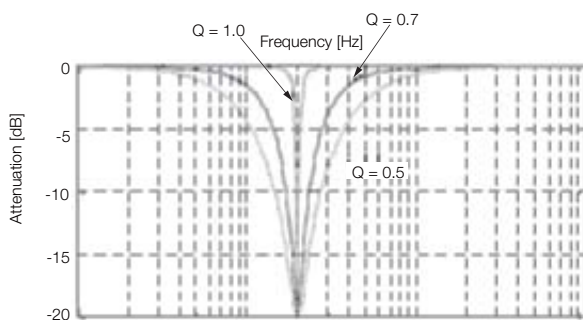
The notch filter puts a notch in the gain curve at the specific vibration frequency (called the notch frequency). The frequency components near the notch frequency can be reduced or removed with a notch filter.

Notch filters are set with three parameters for the notch filter frequency, notch filter Q value, and notch filter depth. This section describes the notch filter Q value and notch filter depth.

• Notch filter Q Value

The setting of the notch filter Q value determines the width of the frequencies that are filtered for the notch filter frequency. The width of the notch changes with the notch filter Q value. The larger the notch filter Q value is, the steeper the notch is and the narrower the width of frequencies that are filtered is.

The notch filter frequency characteristics for different notch filter Q values are shown below.



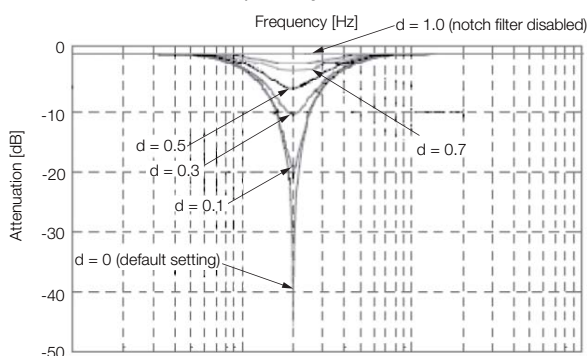
Note: The above notch filter frequency characteristics are based on calculated values and may be different from actual characteristics.

• Notch Filter Depth

The setting of the notch filter depth determines the depth of the frequencies that are filtered for the notch filter frequency. The depth of the notch changes with the notch filter depth. The smaller the notch filter depth is, the deeper the notch is, increasing the effect of vibration suppression. However, if the value is too small, vibration can actually increase.

The notch filter is disabled if the notch filter depth, d , is set to 1.0 (i.e., if Pn419 is set to 1,000).

The notch filter frequency characteristics for different notch filter depths are shown below.



Note: The above notch filter frequency characteristics are based on calculated values and may be different from actual characteristics.

You can enable or disable the notch filter with Pn408.

	Parameter	Meaning	When Enabled	Classification
Pn408	n.□□□0 (default setting)	Disable first stage notch filter.	Immediately	Setup
	n.□□□1	Enable first stage notch filter.		
	n.□0□□ (default setting)	Disable second stage notch filter.		
	n.□1□□	Enable second stage notch filter.		
Pn416	n.□□□0 (default setting)	Disable third stage notch filter.		
	n.□□□1	Enable third stage notch filter.		
	n.□□0□ (default setting)	Disable fourth stage notch filter.		
	n.□□1□	Enable fourth stage notch filter.		
	n.□0□□ (default setting)	Disable fifth stage notch filter.		
	n.□1□□	Enable fifth stage notch filter.		

Set the machine vibration frequencies in the notch filter parameters.

Pn409	First Stage Notch Filter Frequency				
	Setting Range	Setting Unit	Default Setting	When Enabled	Classification
	50 to 5,000	1 Hz	5,000	Immediately	Tuning
Pn40A	First Stage Notch Filter Q Value				
	Setting Range	Setting Unit	Default Setting	When Enabled	Classification
	50 to 1,000	0.01	70	Immediately	Tuning
Pn40B	First Stage Notch Filter Depth				
	Setting Range	Setting Unit	Default Setting	When Enabled	Classification
	0 to 1,000	0.001	0	Immediately	Tuning
Pn40C	Second Stage Notch Filter Frequency				
	Setting Range	Setting Unit	Default Setting	When Enabled	Classification
	50 to 5,000	1 Hz	5,000	Immediately	Tuning
Pn40D	Second Stage Notch Filter Q Value				
	Setting Range	Setting Unit	Default Setting	When Enabled	Classification
	50 to 1,000	0.01	70	Immediately	Tuning
Pn40E	Second Stage Notch Filter Depth				
	Setting Range	Setting Unit	Default Setting	When Enabled	Classification
	0 to 1,000	0.001	0	Immediately	Tuning
Pn417	Third Stage Notch Filter Frequency				
	Setting Range	Setting Unit	Default Setting	When Enabled	Classification
	50 to 5,000	1 Hz	5,000	Immediately	Tuning
Pn418	Third Stage Notch Filter Q Value				
	Setting Range	Setting Unit	Default Setting	When Enabled	Classification
	50 to 1,000	0.01	70	Immediately	Tuning
Pn419	Third Stage Notch Filter Depth				
	Setting Range	Setting Unit	Default Setting	When Enabled	Classification
	0 to 1,000	0.001	0	Immediately	Tuning
Pn41A	Fourth Stage Notch Filter Frequency				
	Setting Range	Setting Unit	Default Setting	When Enabled	Classification
	50 to 5,000	1 Hz	5,000	Immediately	Tuning
Pn41B	Fourth Stage Notch Filter Q Value				
	Setting Range	Setting Unit	Default Setting	When Enabled	Classification
	50 to 1,000	0.01	70	Immediately	Tuning
Pn41C	Fourth Stage Notch Filter Depth				
	Setting Range	Setting Unit	Default Setting	When Enabled	Classification
	0 to 1,000	0.001	0	Immediately	Tuning
Pn41D	Fifth Stage Notch Filter Frequency				
	Setting Range	Setting Unit	Default Setting	When Enabled	Classification
	50 to 5,000	1 Hz	5,000	Immediately	Tuning
Pn41E	Fifth Stage Notch Filter Q Value				
	Setting Range	Setting Unit	Default Setting	When Enabled	Classification
	50 to 1,000	0.01	70	Immediately	Tuning
Pn41F	Fifth Stage Notch Filter Depth				
	Setting Range	Setting Unit	Default Setting	When Enabled	Classification
	0 to 1,000	0.001	0	Immediately	Tuning



Important

- Do not set notch filter frequencies (Pn409, Pn40C, Pn417, Pn41A, and Pn41D) that are close to the speed loop's response frequency. Set a frequency that is at least four times the speed loop gain (Pn100). (However, Pn103 (Moment of Inertia Ratio) must be set correctly. If the setting is not correct, vibration may occur and the machine may be damaged.
- Change the notch filter frequencies (Pn409, Pn40C, Pn417, Pn41A, and Pn41D) only while the Servomotor is stopped. Vibration may occur if a notch filter frequency is changed during operation.

Guidelines for Manually Tuning Servo Gains

When you manually adjust the parameters, make sure that you completely understand the information in the product manual and use the following conditional expressions as guidelines. The appropriate values of the parameter settings are influenced by the machine specifications, so they cannot be determined universally. When you adjust the parameters, actually operate the machine and use the SigmaWin+ or analog monitor to monitor operating conditions. Even if the status is stable while the motor is stopped, an unstable condition may occur when an operation reference is input. Therefore, input operation references and adjust the servo gains as you operate the motor.

Stable gain: Settings that provide a good balance between parameters.

However, if the load moment of inertia is large and the machine system contains elements prone to vibration, you must sometimes use a setting that is somewhat higher to prevent the machine from vibrating.

Critical gain: Settings for which the parameters affect each other

Depending on the machine conditions, overshooting and vibration may occur and operation may not be stable. If the critical gain condition expressions are not met, operation will become more unstable, and there is a risk of abnormal motor shaft vibration and round-trip operation with a large amplitude. Always stay within the critical gain conditions.

If you use the torque reference filter, second torque reference filter, and notch filters together, the interference between the filters and the speed loop gain will be superimposed. Allow leeway in the adjustments.



Important

The following adjusted value guidelines require that the setting of Pn103 (Moment of Inertia Ratio) is correctly set for the actual machine.

◆ When Pn10B = n.□□0□ (PI Control)

Guidelines are given below for gain settings 1.

The same guidelines apply to gain settings 2 (Pn104, Pn105, Pn106, and Pn412).

- Speed Loop Gain (Pn100 [Hz]) and Position Loop Gain (Pn102 [/s])
 - Stable gain: $Pn102 [s] \leq 2\pi \times Pn100/4 [Hz]$
 - Critical gain: $Pn102 [s] < 2\pi \times Pn100 [Hz]$
- Speed Loop Gain (Pn100 [Hz]) and Speed Loop Integral Time Constant (Pn101 [ms])
 - Stable gain: $Pn101 [ms] \geq 4,000/(2\pi \times Pn100 [Hz])$
 - Critical gain: $Pn101 [ms] > 1,000/(2\pi \times Pn100 [Hz])$
- Speed Loop Gain (Pn100 [Hz]) and First Stage First Torque Reference Filter Time Constant (Pn401 [ms])
 - Stable gain: $Pn401 [ms] \leq 1,000/(2\pi \times Pn100 [Hz] \times 4)$
 - Critical gain: $Pn401 [ms] < 1,000/(2\pi \times Pn100 [Hz] \times 1)$

- Speed Loop Gain (Pn100 [Hz]) and Second Stage Second Torque Reference Filter Frequency (Pn40F [Hz])
 Critical gain: $Pn40F [Hz] > 4 \times Pn100 [Hz]$
 Note: Set the second stage second torque reference filter Q value (Pn410) to 0.70.
- Speed Loop Gain (Pn100 [Hz]) and First Stage Notch Filter Frequency (Pn409 [Hz]) (or Second Stage Notch Filter Frequency (Pn40C [Hz]))
 Critical gain: $Pn409 [Hz] > 4 \times Pn100 [Hz]$
- Speed Loop Gain (Pn100 [Hz]) and Speed Feedback Filter Time Constant (Pn308 [ms])
 Stable gain: $Pn308 [ms] \leq 1,000 / (2\pi \times Pn100 [Hz] \times 4)$
 Critical gain: $Pn308 [ms] < 1,000 / (2\pi \times Pn100 [Hz] \times 1)$

◆ When Pn10B = n.□□1□ (I-P Control)

Guidelines are given below for gain settings 1.

The same guidelines apply to gain settings 2 (Pn104, Pn105, Pn106, and Pn412).

For I-P control, the relationships between the speed loop integral time constant, speed loop gain, and position loop gain are different from the relationships for PI control. The relationship between other servo gains is the same as for PI control.

- Speed Loop Gain (Pn100 [Hz]) and Speed Loop Integral Time Constant (Pn101 [ms])
 Stable gain: $Pn100 [Hz] \geq 320 / Pn101 [ms]$
- Position Loop Gain (Pn102 [/s]) and Speed Loop Integral Time Constant (Pn101 [ms])
 Stable gain: $Pn102 [/s] \leq 320 / Pn101 [ms]$

Information

Selecting the Speed Loop Control Method (PI Control or I-P Control)

Usually, I-P control is effective for high-speed positioning and high-speed, high-precision processing applications. With I-P control, you can use a lower position loop gain than for PI control to reduce the positioning time and reduce arc radius reduction. However, if you can use mode switching to change to proportional control to achieve the desired application, then using PI control would be the normal choice.

◆ Decimal Points in Parameter Settings

For the SGD7S SERVOPACKs, decimal places are given for the settings of parameters on the Digital Operator, Panel Operator, and in the manual. For example with Pn100 (Speed Loop Gain), Pn100 = 40.0 is used to indicate a setting of 40.0 Hz. In the following adjusted value guidelines, the decimal places are also given.

Example

- Speed Loop Gain (Pn100 [Hz]) and Speed Loop Integral Time Constant (Pn101 [ms])
 Stable gain: $Pn101 [ms] \geq 4,000 / (2\pi \times Pn100 [Hz])$, therefore
 If Pn100 = 40.0 [Hz], then $Pn101 = 4,000 / (2\pi \times 40.0) \approx 15.92 [ms]$.

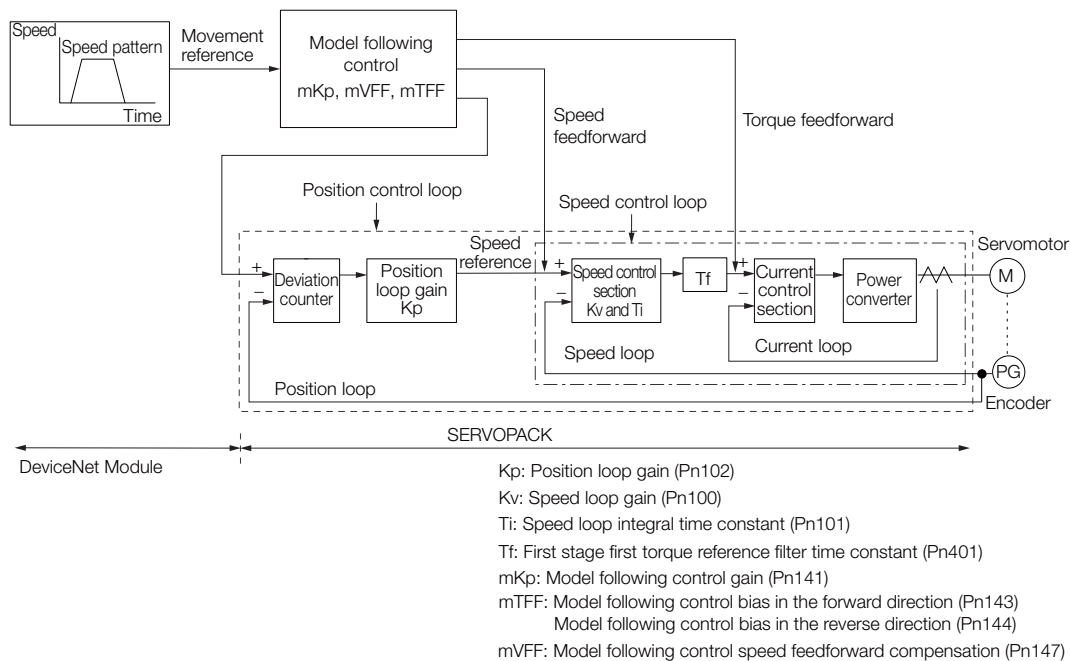
Model Following Control

You can use model following control to improve response characteristic and shorten positioning time. You can use model following control only with position control.

Normally, the parameters that are used for model following control are automatically set along with the servo gains by executing autotuning or custom tuning. However, you must adjust them manually in the following cases.

- When the tuning results for autotuning or custom tuning are not acceptable
- When you want to increase the response characteristic higher than that achieved by the tuning results for autotuning or custom tuning
- When you want to determine the servo gains and model following control parameters yourself

The block diagram for model following control is provided below.



◆ Manual Tuning Procedure

Use the following tuning procedure for using model following control.

Step	Description
1	Friction compensation must also be used. Set the friction compensation parameters. Refer to the following section for the setting procedure. 8.12.2 Friction Compensation on page 8-69
2	Adjust the servo gains. Refer to the following section for an example procedure. Tuning Procedure Example on page 8-80 Note: 1. Set the moment of inertia ratio (Pn103) as accurately as possible. 2. Refer to the guidelines for manually tuning the servo gains and set a stable gain for the position loop gain (Pn102). Guidelines for Manually Tuning Servo Gains on page 8-85
3	Increase the model following control gain (Pn141) as much as possible within the range in which overshooting and vibration do not occur.
4	If overshooting occurs or if the response is different for forward and reverse operation, fine-tune model following control with the following settings: model following control bias in the forward direction (Pn143), model following control bias in the reverse direction (Pn144), and model following control speed feedforward compensation (Pn147).

◆ Related Parameters

Next we will describe the following parameters that are used for model following control.

- Pn140 (Model Following Control-Related Selections)
- Pn141 (Model Following Control Gain)
- Pn143 (Model Following Control Bias in the Forward Direction)
- Pn144 (Model Following Control Bias in the Reverse Direction)
- Pn147 (Model Following Control Speed Feedforward Compensation)

■ Model Following Control-Related Selections

Set Pn140 = n.□□□X to specify whether to use model following control.

If you use model following control with vibration suppression, set Pn140 to n.□□1□ or Pn140 = n.□□2□. When you also perform vibration suppression, adjust vibration suppression with custom tuning in advance.

Note: If you use vibration suppression (Pn140 = n.□□1□ or Pn140 = n.□□2□), always set Pn140 to n.□□□1 (Use model following control).

Parameter	Function	When Enabled	Classification
Pn140	n.□□□0 (default setting)	Do not use model following control.	Immediately Tuning
	n.□□□1	Use model following control.	
	n.□□0□ (default setting)	Do not perform vibration suppression.	
	n.□□1□	Perform vibration suppression for a specific frequency.	
	n.□□2□	Perform vibration suppression for two specific frequencies.	

■ Model Following Control Gain

The model following control gain determines the response characteristic of the servo system. If you increase the setting of the model following control gain, the response characteristic will improve and the positioning time will be shortened. The response characteristic of the servo system is determined by this parameter, and not by Pn102 (Position Loop Gain).

Pn141	Model Following Control Gain				
	Setting Range	Setting Unit	Default Setting	When Enabled	Classification
	10 to 20,000	0.1/s	500	Immediately	Tuning

Information

For machines for which a high model following control gain cannot be set, the size of the position deviation in model following control will be determined by the setting of the model following control gain. For a machine with low rigidity, in which a high model following control gain cannot be set, position deviation overflow alarms may occur during high-speed operation. If that is the case, you can increase the setting of the following parameter to increase the level for alarm detection. Use the following conditional expression for reference in determining the setting.

$$Pn\ 520 \geq \frac{\text{Maximum feed speed [reference units/s]}}{Pn\ 141/10 [1/s]} \times 2.0$$

Pn520	Position Deviation Overflow Alarm Level				
	Setting Range	Setting Unit	Default Setting	When Enabled	Classification
	1 to 1,073,741,823	1 reference unit	5,242,880	Immediately	Setup

■ Model Following Control Bias in the Forward Direction and Model Following Control Bias in the Reverse Direction

If the response is different for forward and reverse operation, use the following parameters for fine-tuning.

If you decrease the settings, the response characteristic will be lowered but overshooting will be less likely to occur.

Pn143	Model Following Control Bias in the Forward Direction				
	Setting Range	Setting Unit	Default Setting	When Enabled	Classification
	0 to 10,000	0.1%	1,000	Immediately	Tuning

Pn144	Model Following Control Bias in the Reverse Direction				
	Setting Range	Setting Unit	Default Setting	When Enabled	Classification
	0 to 10,000	0.1%	1,000	Immediately	Tuning

■ Model Following Control Speed Feedforward Compensation

If overshooting occurs even after you adjust the model following control gain, model following control bias in the forward direction, and model following control bias in the reverse direction, you may be able to improve performance by setting the following parameter.

If you decrease the settings, the response characteristic will be lowered but overshooting will be less likely to occur.

Model Following Control Speed Feedforward Compensation					
Pn147	Setting Range	Setting Unit	Default Setting	When Enabled	Classification
	0 to 10,000	0.1%	1,000	Immediately	Tuning

■ Model Following Control Type Selection

When you enable model following control, you can select the model following control type. Normally, set Pn14F to n.□□□1 (Use model following control type 2) (default setting). If compatibility with previous models is required, set Pn14F to n.□□□0 (Use model following control type 1).

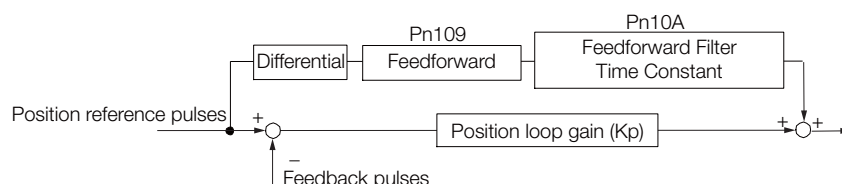
Parameter	Meaning	When Enabled	Classification
Pn14F	n.□□□0	After restart	Tuning
	n.□□□1 (default setting)		

8.13.2 Compatible Adjustment Functions

The compatible adjustment functions are used together with manual tuning. You can use these functions to improve adjustment results. These functions allow you to use the same functions as for Σ -III-Series SERVOPACKs to adjust Σ -7-Series SERVOPACKs.

Feedforward

The feedforward function applies feedforward compensation to position control to shorten the positioning time.



Feedforward					
Pn109	Setting Range	Setting Unit	Default Setting	When Enabled	Classification
	0 to 100	1%	0	Immediately	Tuning

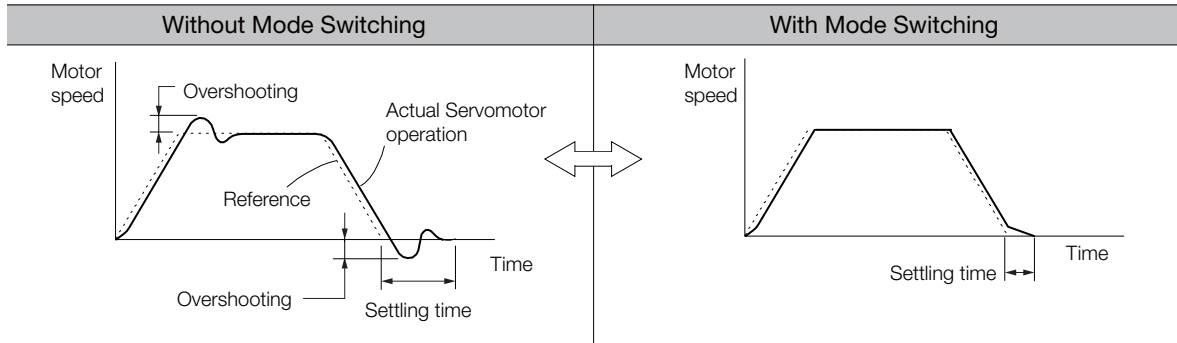
Feedforward Filter Time Constant					
Pn10A	Setting Range	Setting Unit	Default Setting	When Enabled	Classification
	0 to 6,400	0.01 ms	0	Immediately	Tuning

Note: If you set the feedforward value too high, the machine may vibrate. As a guideline, use a setting of 80% or less.

Mode Switching (Changing between Proportional and PI Control)

You can use mode switching to automatically change between proportional control and PI control.

Overshooting caused by acceleration and deceleration can be suppressed and the settling time can be reduced by setting the switching condition and switching levels.



◆ Related Parameters

Select the switching condition for mode switching with Pn10B = n.□□□X.

Parameter	Mode Switching Selection	Parameter That Sets the Level		When Enabled	Classification
		Rotary Servomotor	Linear Servomotor		
Pn10B	n.□□□0 (default setting)	Use the internal torque reference as the condition.		Pn10C	Immediately Setup
	n.□□□1	Use the speed reference as the condition.		Pn10D Pn181	
	n.□□□2	Use the acceleration reference as the condition.		Pn10E Pn182	
	n.□□□3	Use the position deviation as the condition.		Pn10F	
	n.□□□4	Do not use mode switching.		—	

■ Parameters That Set the Switching Levels

- Rotary Servomotors

Pn10C	Mode Switching Level for Torque Reference				
	Setting Range	Setting Unit	Default Setting	When Enabled	Classification
	0 to 800	1%	200	Immediately	Tuning
Pn10D	Mode Switching Level for Speed Reference				
	Setting Range	Setting Unit	Default Setting	When Enabled	Classification
	0 to 10,000	1 min ⁻¹	0	Immediately	Tuning
Pn10E	Mode Switching Level for Acceleration				
	Setting Range	Setting Unit	Default Setting	When Enabled	Classification
	0 to 30,000	1 min ⁻¹ /s	0	Immediately	Tuning
Pn10F	Mode Switching Level for Position Deviation				
	Setting Range	Setting Unit	Default Setting	When Enabled	Classification
	0 to 10,000	1 reference unit	0	Immediately	Tuning

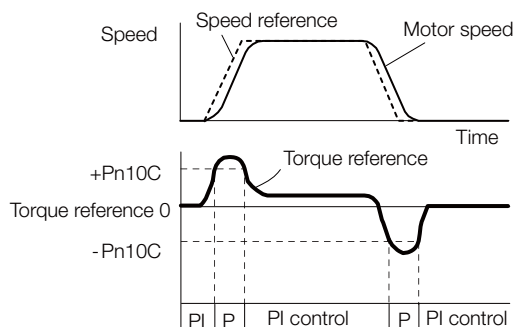
- Linear Servomotors

Pn10C	Mode Switching Level for Force Reference				
	Setting Range	Setting Unit	Default Setting	When Enabled	Classification
	0 to 800	1%	200	Immediately	Tuning
Pn181	Mode Switching Level for Speed Reference				
	Setting Range	Setting Unit	Default Setting	When Enabled	Classification
	0 to 10,000	1 mm/s	0	Immediately	Tuning
Pn182	Mode Switching Level for Acceleration				
	Setting Range	Setting Unit	Default Setting	When Enabled	Classification
	0 to 30,000	1 mm/s ²	0	Immediately	Tuning
Pn10F	Mode Switching Level for Position Deviation				
	Setting Range	Setting Unit	Default Setting	When Enabled	Classification
	0 to 10,000	1 reference unit	0	Immediately	Tuning

- Using the Torque Reference as the Mode Switching Condition (Default Setting)

When the torque reference equals or exceeds the torque set for the mode switching level for torque reference (Pn10C), the speed loop is changed to P control.

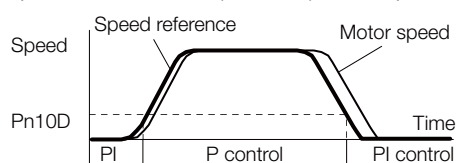
The default setting for the torque reference level is 200%.



- Using the Speed Reference as the Mode Switching Condition

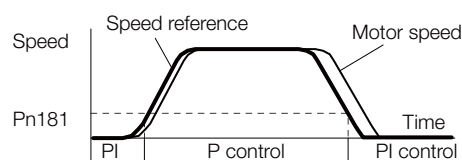
- Rotary Servomotors

When the speed reference equals or exceeds the speed set for the mode switching level for a speed reference (Pn10D), the speed loop is changed to P control.



- Linear Servomotors

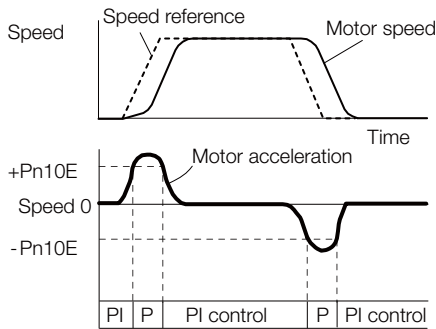
When the speed reference equals or exceeds the speed set for the mode switching level for a speed reference (Pn181), the speed loop is changed to P control.



■ Using the Acceleration as the Mode Switching Condition

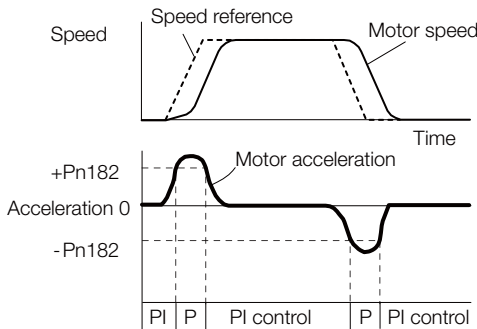
• Rotary Servomotors

When the speed reference equals or exceeds the acceleration rate set for the mode switching level for acceleration (Pn10E), the speed loop is changed to P control.



• Linear Servomotors

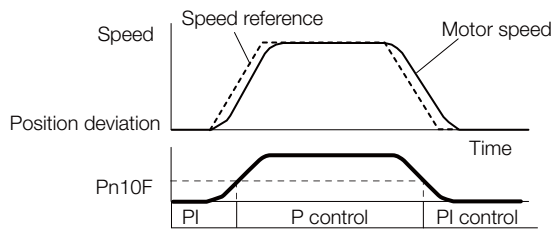
When the speed reference equals or exceeds the acceleration rate set for the mode switching level for acceleration (Pn182), the speed loop is changed to P control.



■ Using the Position Deviation as the Mode Switching Condition

When the position deviation equals or exceeds the value set for the mode switching level for position deviation (Pn10F), the speed loop is changed to P control.

This setting is enabled only for position control.



Position Integral

The position integral is the integral function of the position loop. It is used for the electronic cams and electronic shafts when using the SERVOPACK with a Yaskawa MP3000-Series Machine Controller.

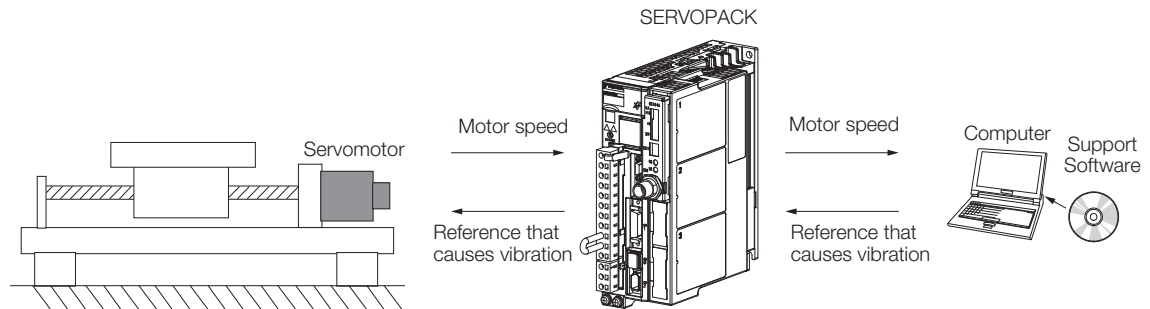
Pn11F	Position Integral Time Constant				
	Setting Range	Setting Unit	Default Setting	When Enabled	Classification
	0 to 50,000	0.1 ms	0	Immediately	Tuning

8.14 Diagnostic Tools

8.14.1 Mechanical Analysis

Overview

You can connect the SERVOPACK to a computer to measure the frequency characteristics of the machine. This allows you to measure the frequency characteristics of the machine without using a measuring instrument.



The motor is used to cause machine vibration and then the speed frequency characteristics for the motor torque are measured. The measured frequency characteristics can be used to determine the machine resonance.

You determine the machine resonance for use in servo tuning and as reference for considering changes to the machine. The performance of the servo cannot be completely utilized depending on the rigidity of the machine. You may need to consider making changes to the machine. The information can also be used as reference for servo tuning to help you adjust parameters, such as the servo rigidity and torque filter time constant.

You can also use the information to set parameters, such as the notch filters.



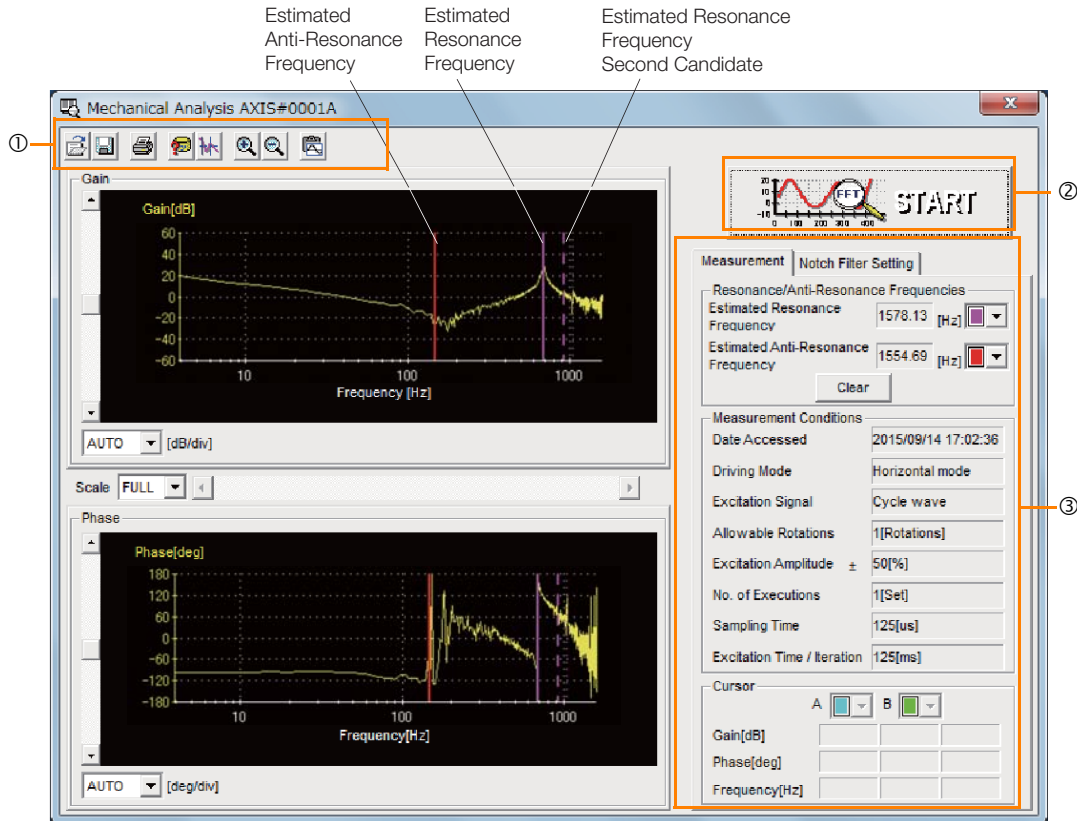
WARNING

- Mechanical analysis requires operating the motor and therefore presents hazards. Before you execute mechanical analysis, check the information provided in the SigmaWin+ operating manual.

Frequency Characteristics

The motor is used to cause the machine to vibrate and the frequency characteristics from the torque to the motor speed are measured to determine the machine characteristics. For a normal machine, the resonance frequencies are clear when the frequency characteristics are plotted on graphs with the gain and phase (Bode plots). The Bode plots show the size (gain) of the response of the machine to which the torque is applied, and the phase delay (phase) in the response for each frequency. Also, the machine resonance frequency can be determined from the maximum frequency of the valleys (anti-resonance) and peaks (resonance) of the gain and the phase delay.

For a motor without a load or for a rigid mechanism, the gain and phase change gradually in the Bode plots.



① Toolbar

② **START** Button

Click the **START** Button to start analysis.

③ **Measurement** and **Notch Filter Setting** Tab Pages

Measurement Tab Page: Displays detailed information on the results of analysis.

Notch Filter Setting Tab Page: Displays the notch filter frequencies. You can set these values in the parameters.

8.14.2 Easy FFT

The machine is made to vibrate and a resonance frequency is detected from the generated vibration to set notch filters according to the detected resonance frequencies. This is used to eliminate high-frequency vibration and noise.

During execution of Easy FFT, a frequency waveform reference is sent from the SERVOPACK to the Servomotor to automatically cause the shaft to rotate multiple times within 1/4th of a rotation, thus causing the machine to vibrate.

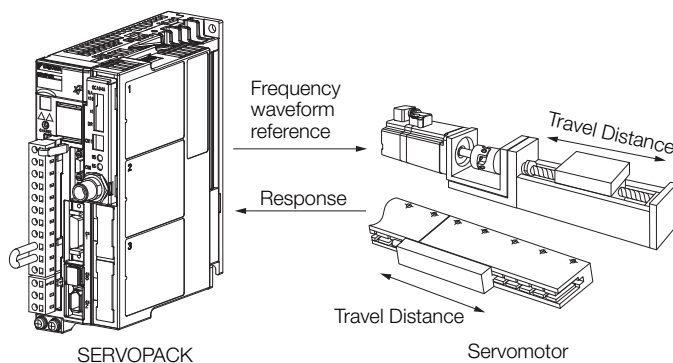
Execute Easy FFT after the servo is turned OFF if operation of the SERVOPACK results in high-frequency noise and vibration.

WARNING

- Never touch the Servomotor or machine during execution of Easy FFT. Doing so may result in injury.

CAUTION

- Use Easy FFT when the servo gain is low, such as in the initial stage of servo tuning. If you execute Easy FFT after you increase the gain, the machine may vibrate depending on the machine characteristics or gain balance.



Easy FFT is built into the SERVOPACK for compatibility with previous products. Normally use autotuning without a host reference for tuning.



Preparations

Always check the following before you execute Easy FFT.

- The parameters must not be write prohibited.
- The main circuit power supply must be ON.
- The test without a motor function must be disabled (Pn00C = n.□□□0).
- There must be no alarms.
- There must be no hard wire base block (HWBB).
- The servo must be OFF.
- There must be no overtravel.
- An external reference must not be input.


Applicable Tools

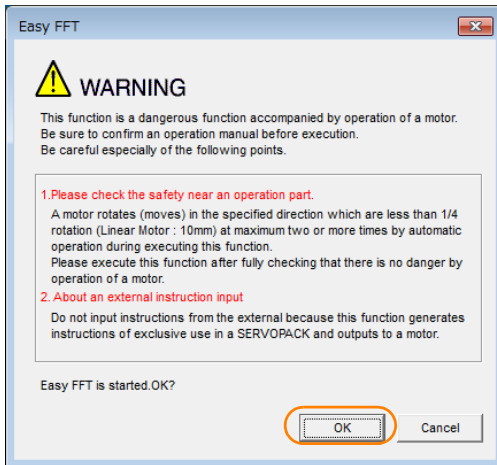
The following table lists the tools that you can use to perform EasyFFT and the applicable tool functions.

Tool	Function	Operating Procedure Reference
Digital Operator	Fn206	 Σ -7-Series Servo Drive Digital Operator Operating Manual (Manual No.: SIEP S80001 33)
SigmaWin+	Setup - Easy FFT	 Operating Procedure on page 8-96

Operating Procedure

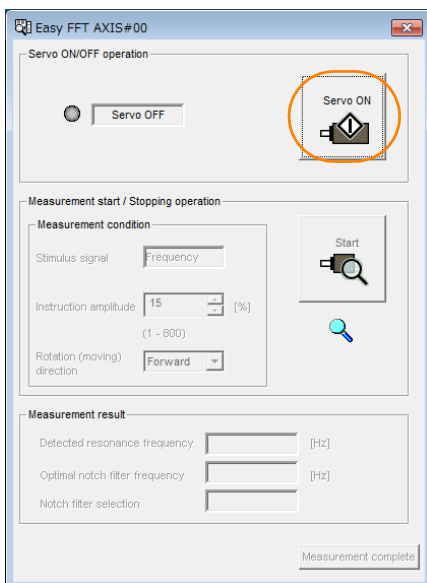
Use the following procedure for Easy FFT.

1. Click the  Servo Drive Button in the workspace of the Main Window of the SigmaWin+.
2. Select **Easy FFT** in the Menu Dialog Box.
The Easy FFT Dialog Box will be displayed.
Click the **Cancel** Button to cancel Easy FFT. You will return to the main window.
3. Click the **OK** Button.



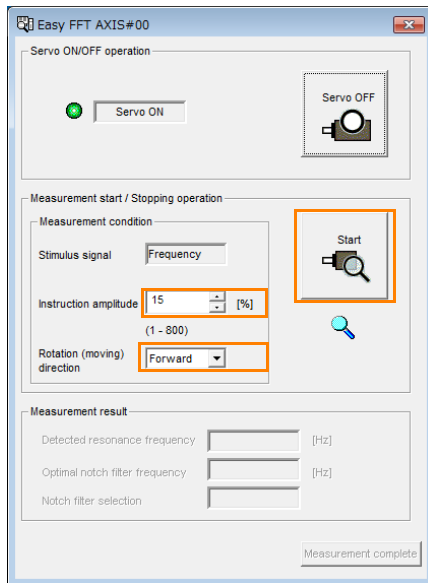
Another Easy FFT Dialog Box will be displayed.

4. Click the **Servo ON** Button.



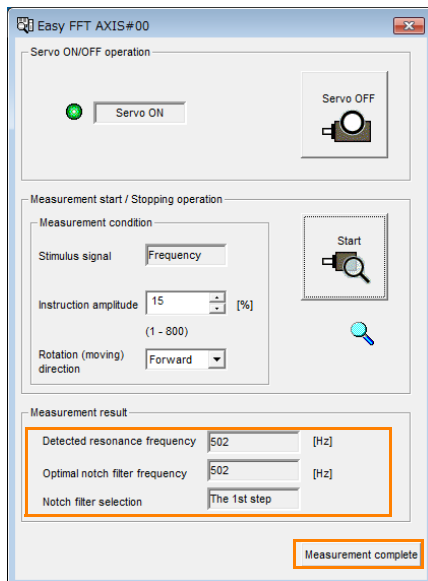
5. Select the instruction (reference) amplitude and the rotation direction in the **Measurement condition Area**, and then click the **Start Button**.

The motor shaft will rotate and measurements will start.

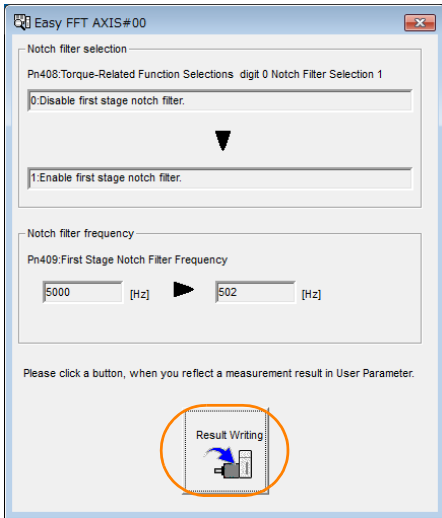


When measurements have been completed, the measurement results will be displayed.

6. Check the results in the **Measurement result Area** and then click the **Measurement complete Button**.



7. Click the **Result Writing Button** if you want to set the measurement results in the parameters.



This concludes the procedure to set up Easy FFT.

Related Parameters

The following parameters are automatically adjusted or used as reference when you execute Easy FFT.

Do not change the settings of these parameters during execution of Easy FFT.

Parameter	Name	Automatic Changes
Pn408	Torque-Related Function Selections	Yes
Pn409	First Stage Notch Filter Frequency	Yes
Pn40A	First Stage Notch Filter Q Value	No
Pn40C	Second Stage Notch Filter Frequency	Yes
Pn40D	Second Stage Notch Filter Q Value	No
Pn456	Sweep Torque Reference Amplitude	No

Yes: The parameter is automatically set.

No: The parameter is not automatically set, but the setting is read during execution.

Monitoring

9

This chapter provides information on monitoring SERVOPACK product information and SERVOPACK status.

9.1	Monitoring Product Information	9-2
9.1.1	Items That You Can Monitor	9-2
9.1.2	Operating Procedures	9-2
9.2	Monitoring SERVOPACK Status	9-3
9.2.1	System Monitor	9-3
9.2.2	Monitoring Status and Operations	9-4
9.2.3	I/O Signal Monitor	9-6
9.3	Monitoring Machine Operation Status and Signal Waveforms .	9-7
9.3.1	Items That You Can Monitor	9-7
9.3.2	Using the SigmaWin+	9-8
9.3.3	Using a Measuring Instrument	9-10
9.4	Monitoring Product Life	9-14
9.4.1	Items That You Can Monitor	9-14
9.4.2	Operating Procedure	9-15
9.4.3	Preventative Maintenance	9-15
9.5	Alarm Tracing	9-16
9.5.1	Data for Which Alarm Tracing Is Performed	9-16
9.5.2	Applicable Tools	9-16

9.1 Monitoring Product Information

9.1.1 Items That You Can Monitor

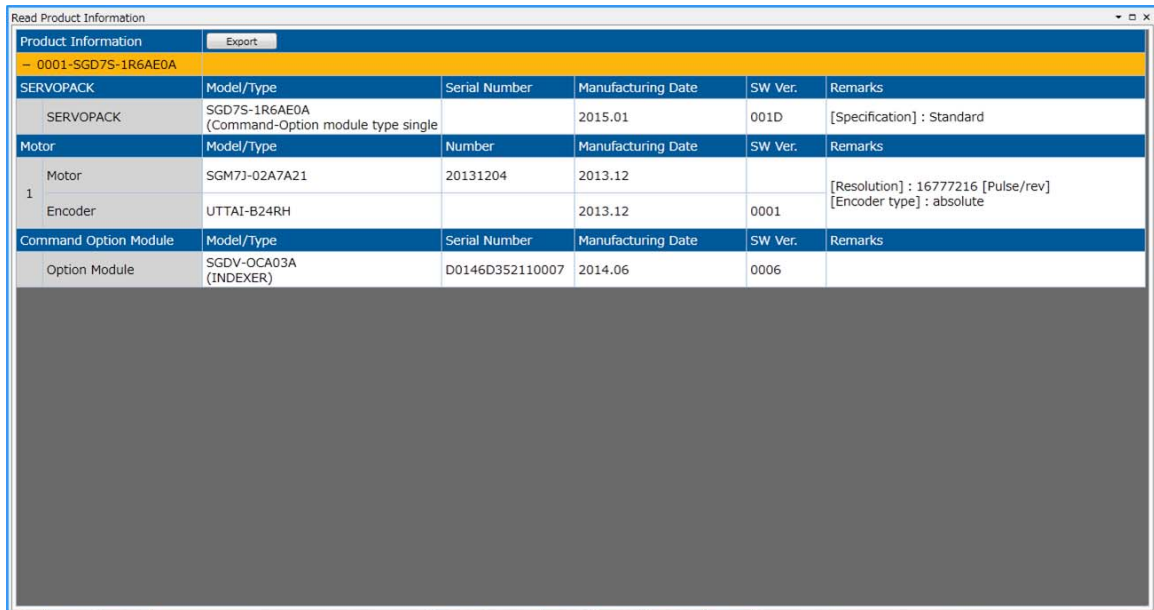
The items that you can monitor in the SigmaWin+ Product Information Window are listed below.

Monitor Items	
Information on SERVOPACKs	<ul style="list-style-type: none"> • SERVOPACK model • SERVOPACK software version • SERVOPACK special specifications • SERVOPACK serial number • SERVOPACK manufacturing date
Information on Servomotors	<ul style="list-style-type: none"> • Servomotor model • Servomotor serial number • Servomotor manufacturing date
Information on Encoders	<ul style="list-style-type: none"> • Encoder model • Rotary encoder resolution and linear encoder pitch resolution • Encoder type • Encoder software version • Encoder serial number • Encoder manufacturing date
Information on Option Modules	<ul style="list-style-type: none"> • Option Module model • Option Module software version • Option Module special specifications • Option Module serial number • Option Module manufacturing date

9.1.2 Operating Procedures

Use the following procedure to display the product information monitor dialog box.

- Select **Read Product Information** in the Menu Dialog Box of the SigmaWin+. The Read Product Information Window will be displayed.



Information With the Digital Operator, you can use Fn011, Fn012, and Fn01E to monitor this information. Refer to the following manual for the differences in the monitor items compared with the SigmaWin+.

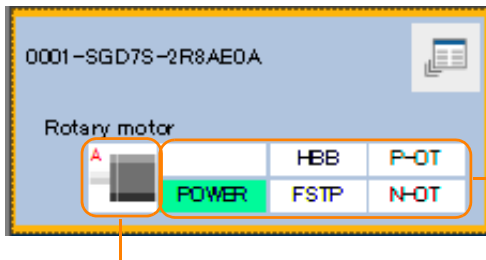
📖 Σ-7-Series Digital Operator Operating Manual (Manual No.: SIEP S800001 33)

9.2 Monitoring SERVOPACK Status

9.2.1 System Monitor

Use one of the following methods to display the System Monitor Window.

- Start the SigmaWin+. The Servo Drive status will be automatically displayed when you go online with a SERVOPACK.



The Servomotor type is displayed.

The Servo Drive status is displayed.

9.2.2 Monitoring Status and Operations

Items That You Can Monitor

The items that you can monitor on the Status Monitor Window and Motion Monitor Window are listed below.

• **Status Monitor Window**

Monitor Items					
Internal Status	<ul style="list-style-type: none"> • Polarity Sensor Signal Monitor • Active Gain Monitor • Main Circuit • Encoder (PGRDY) • Motor Power (Request) • Motor Power ON • Dynamic Brake (DB) • Rotation (Movement) Direction • Mode Switch • Speed Reference (V-Ref) • Torque Reference (T-Ref) • Position Reference (PULS) • CLR (Position Deviation Clear Input Signal) • Position Reference Direction • Surge Current Limiting Resistor Short Relay • Regenerative Transistor • Regenerative Error Detection • AC Power ON • Overcurrent • Origin Not Passed • Moment of Inertia Identification • Polarity Detection in Progress • Completion of Polarity Detection • Ripple Compensation in Progress 	Input Signal Status	<ul style="list-style-type: none"> • /S-ON (Servo ON Input Signal) • /P-CON (Proportional Control Input Signal) • P-OT (Forward Drive Prohibit Input Signal) • N-OT (Reverse Drive Prohibit Input Signal) • /P-CL (Forward External Torque Limit Signal) • /N-CL (Reverse External Torque Limit Signal) • /ALM-RST (Alarm Reset Input Signal) • SEN (Absolute Data Request Input Signal) • /SPD-D (Motor Direction Selection Input Signal) • /SPD-A (Internal Set Speed Selection Input Signal) • /SPD-B (Internal Set Speed Selection Input Signal) • /C-SEL (Control Selection Input Signal) • /ZCLAMP (Zero Clamping Input Signal) • /INHIBIT (Reference Pulse Inhibit Input Signal) • /G-SEL (Gain Selection Input Signal) • /P-DET (Polarity Detection Input Signal) • /DEC (Origin Return Deceleration Switch Input Signal) • /EXT1 (External Latch Input 1 Signal) • /EXT2 (External Latch Input 2 Signal) • /EXT3 (External Latch Input 3 Signal) • FSTP (Forced Stop Input Signal) 	Output Signal Status	<ul style="list-style-type: none"> • ALM (Servo Alarm Output Signal) • /COIN (Positioning Completion Output Signal) • /V-CMP (Speed Coincidence Detection Output Signal) • /TGON (Rotation Detection Output Signal) • /S-RDY (Servo Ready Output Signal) • /CLT (Torque Limit Detection Output Signal) • /VLT (Speed Limit Detection Output Signal) • /BK (Brake Output Signal) • /WARN (Warning Output Signal) • /NEAR (Near Output Signal) • PAO (Encoder Divided Pulse Output Phase A Signal) • PBO (Encoder Divided Pulse Output Phase B Signal) • PCO (Encoder Divided Pulse Output Phase C Signal) • /PM (Preventative Maintenance Output Signal)

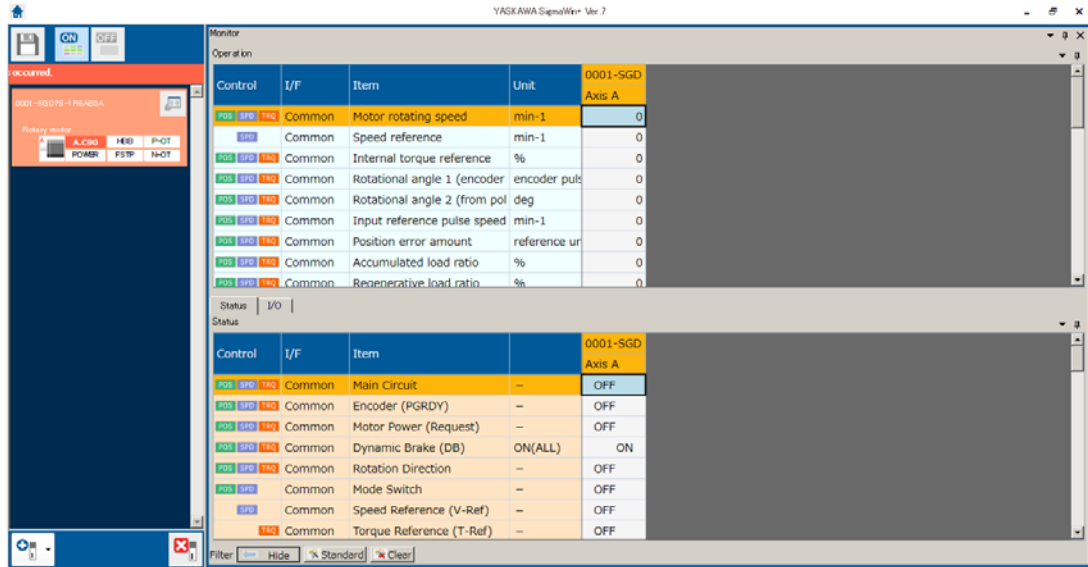
• **Motion Monitor Window**

Monitor Items	
<ul style="list-style-type: none"> • Motor Speed • Speed Reference • Internal Torque Reference • Angle of Rotation 1 (number of encoder pulses from origin within one encoder rotation) • Angle of Rotation 2 (angle from origin within one encoder rotation) • Input Reference Pulse Speed • Deviation Counter (Position Deviation) • Cumulative Load • Regenerative Load • DB Resistor Consumption Power 	<ul style="list-style-type: none"> • Reference Pulse Counter • Feedback Pulse Counter • Fully Closed Feedback Pulse Counter • Total Operating Time • Active Gain Monitor • Main Circuit Power Supply Voltage Value • Current Backlash Compensation Value • Backlash Compensation Value Setting Limit • Absolute Encoder Multiturn Data • Absolute Encoder Position within One Rotation • Current Alarm State • DB Resistor Energy Consumption

Operating Procedure

Use the following procedure to display the Motion Monitor and Status Monitor for the SERVOPACK.


- Select **Monitor** in the SigmaWin+ Menu Dialog Box.
 The Operation Pane and Status Pane will be displayed in the Monitor Window.

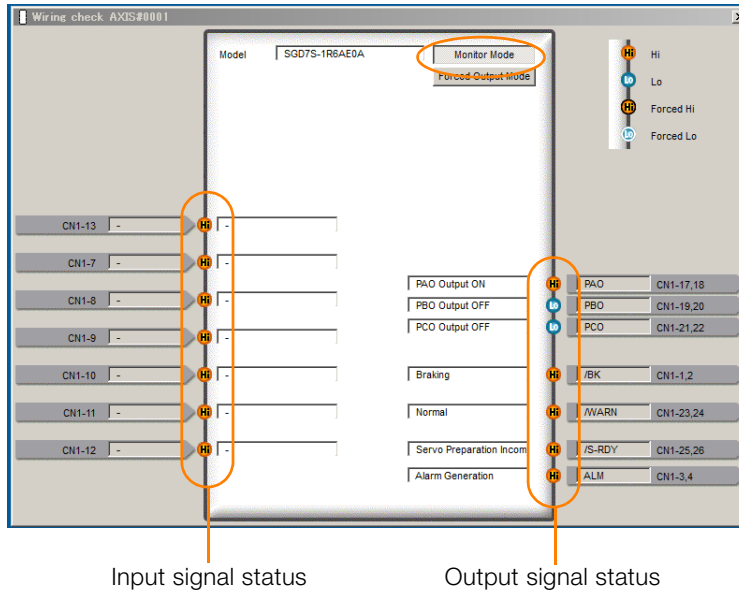


Information You can flexibly change the contents that are displayed in the Monitor Window. Refer to the following manual for details.
 📖 Engineering Tool SigmaWin+ Operation Manual (Manual No.: SIET S800001 34)

9.2.3 I/O Signal Monitor

Use the following procedure to check I/O signals.

1. Click the  Servo Drive Button in the workspace of the Main Window of the SigmaWin+.
2. Select **Wiring Check** in the Menu Dialog Box.
The Wiring Check Dialog Box will be displayed.
3. Click the **Monitor Mode** Button.



Information

You can also use the above window to check wiring.

- **Checking Input Signal Wiring**
Change the signal status at the host controller. If the input signal status on the window changes accordingly, then the wiring is correct.
- **Checking Output Signal Wiring**
Click the **Force Output Mode** Button. This will force the output signal status to change. If the signal status at the host controller changes accordingly, then the wiring is correct.
You cannot use the **Force Output Mode** Button while the servo is ON.

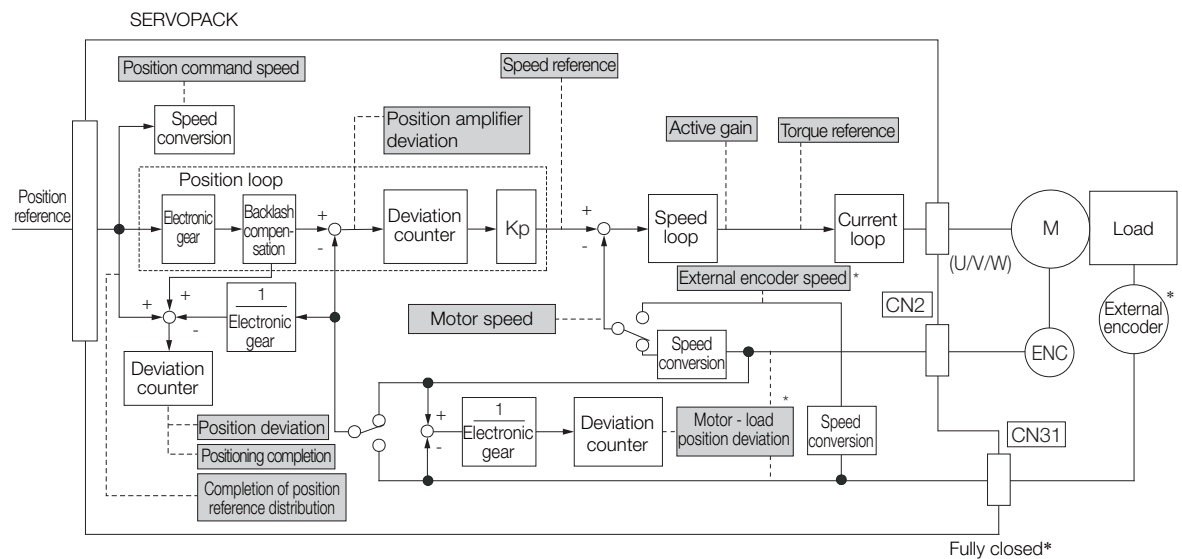
9.3 Monitoring Machine Operation Status and Signal Waveforms

To monitor waveforms, use the SigmaWin+ trace function or a measuring instrument, such as a memory recorder.

9.3.1 Items That You Can Monitor

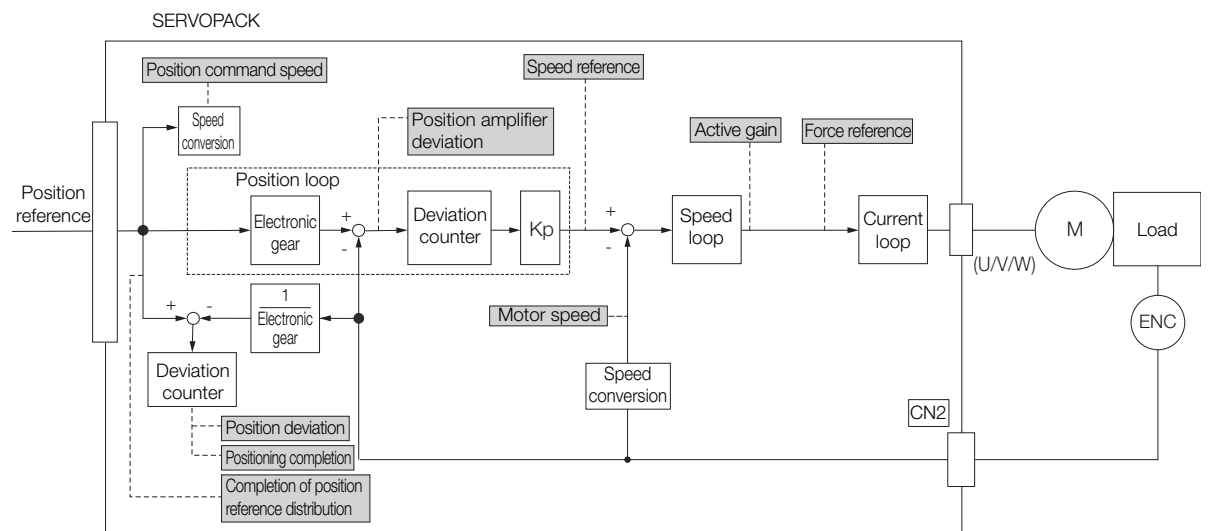
You can use the SigmaWin+ or a measuring instrument to monitor the shaded items in the following block diagram.

- Rotary Servomotors



* This speed is available when fully-closed loop control is being used.

- Linear Servomotors




9.3.2 Using the SigmaWin+

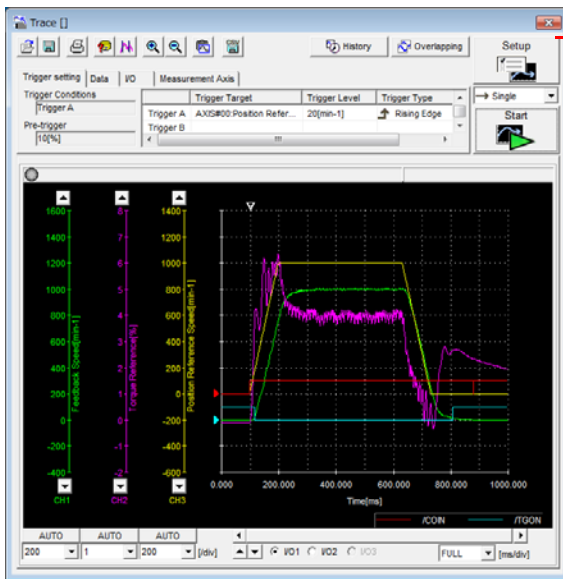
This section describes how to trace data and I/O with the SigmaWin+.

Refer to the following manual for detailed operating procedures for the SigmaWin+.

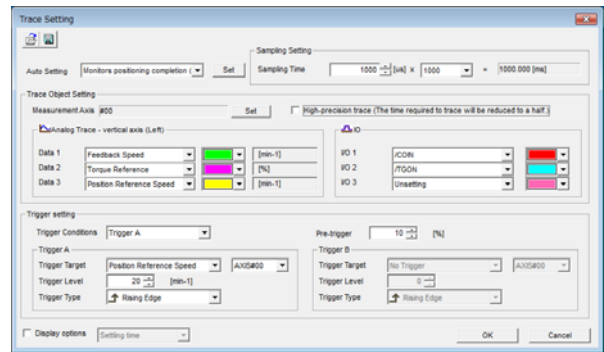
📖 Engineering Tool SigmaWin+ Online Manual Σ-7 Component (Manual No.: SIEP S80001 48)

Operating Procedure

1. Click the  Servo Drive Button in the workspace of the Main Window of the SigmaWin+.
2. Select Trace in the Menu Dialog Box.
The Trace Dialog Box will be displayed.



Click this button to display the Trace Setting Dialog Box shown below, and set the data to trace and the trace conditions.



Trace Objects

You can trace the following items.

- Data Tracing

Trace Objects	
<ul style="list-style-type: none"> • Torque Reference • Feedback Speed • Reference Speed • Position Reference Speed • Position Error (Deviation) • Position Amplifier Error (Deviation) 	<ul style="list-style-type: none"> • Motor - Load Position Deviation • Speed Feedforward • Torque Feedforward • Effective (Active) Gain • Main Circuit DC Voltage


• I/O Tracing

Trace Objects	
Input Signals	<ul style="list-style-type: none"> • /S-ON (Servo ON Input Signal) • /P-CON (Proportional Control Input Signal) • P-OT (Forward Drive Prohibit Input Signal) • N-OT (Reverse Drive Prohibit Input Signal) • /ALM-RST (Alarm Reset Input Signal) • /P-CL (Forward External Torque/Force Limit Input Signal) • /N-CL (Reverse External Torque/Force Limit Input Signal) • /G-SEL (Gain Selection Input Signal) • /P-DET (Polarity Detection Input Signal) • /DEC (Origin Return Deceleration Switch Input Signal) • /EXT1 (External Latch Input 1 Signal) • /EXT2 (External Latch Input 2 Signal) • /EXT3 (External Latch Input 3 Signal) • FSTP (Forced Stop Input Signal) • /HWBB1 (Hard Wire Base Block Input 1 Signal) • /HWBB2 (Hard Wire Base Block Input 2 Signal)
	<p>Output Signals</p> <ul style="list-style-type: none"> • ALM (Servo Alarm Output Signal) • /COIN (Positioning Completion Output Signal) • /V-CMP (Speed Coincidence Detection Output Signal) • /TGON (Rotation Detection Output Signal) • /S-RDY (Servo Ready Output Signal) • /CLT (Torque Limit Detection Output Signal) • /VLT (Speed Limit Detection Output Signal) • /BK (Brake Output Signal) • /WARN (Warning Output Signal) • /NEAR (Near Output Signal) • ALO1 (Alarm Code Output Signal) • ALO2 (Alarm Code Output Signal) • ALO3 (Alarm Code Output Signal) • PAO (Encoder Divided Pulse Output Phase A Signal) • PBO (Encoder Divided Pulse Output Phase B Signal) • PCO (Encoder Divided Pulse Output Phase C Signal)
	<p>Internal Status</p> <ul style="list-style-type: none"> • ACON (Main Circuit ON Signal) • PDETCMP (Polarity Detection Completed Signal) • DEN (Position Reference Distribution Completed Signal)

9.3.3 Using a Measuring Instrument

Connect a measuring instrument, such as a memory recorder, to the analog monitor connector (CN5) on the SERVOPACK to monitor analog signal waveforms. The measuring instrument is not provided by Yaskawa.

Refer to the following section for details on the connection.

 4.8.3 Analog Monitor Connector (CN5) on page 4-46


Setting the Monitor Object

Use Pn006 = n.□□XX and Pn007 = n.□□XX (Analog Monitor 1 and 2 Signal Selections) to set the items to monitor.

Line Color	Signal	Parameter Setting
White	Analog monitor 1	Pn006 = n.□□XX
Red	Analog monitor 2	Pn007 = n.□□XX
Black (2 lines)	GND	–

Parameter	Description			
	Monitor Signal	Output Unit	Remarks	
Pn006 or Pn007	n.□□00 (default setting of Pn007)	Motor Speed	<ul style="list-style-type: none"> Rotary Servomotor: 1 V/1,000 min⁻¹ Linear Servomotor: 1 V/1,000 mm/s 	–
	n.□□01	Speed Reference	<ul style="list-style-type: none"> Rotary Servomotor: 1 V/1,000 min⁻¹ Linear Servomotor: 1 V/1,000 mm/s 	–
	n.□□02 (default setting of Pn006)	Torque Reference	1 V/100% rated torque	–
	n.□□03	Position Deviation	0.05 V/Reference unit	–
	n.□□04	Position Amplifier Deviation	0.05 V/encoder pulse unit	Position deviation after electronic gear conversion
	n.□□05	Position Command Speed	<ul style="list-style-type: none"> Rotary Servomotor: 1 V/1,000 min⁻¹ Linear Servomotor: 1 V/1,000 mm/s 	–
	n.□□06	Reserved parameter (Do not change.)	–	–
	n.□□07	Motor - Load Position Deviation	0.01 V/Reference unit	–
	n.□□08	Positioning Completion	Positioning completed: 5 V Positioning not completed: 0 V	Completion is indicated by the output voltage.
	n.□□09	Speed Feedforward	<ul style="list-style-type: none"> Rotary Servomotor: 1 V/1,000 min⁻¹ Linear Servomotor: 1 V/1,000 mm/s 	–
	n.□□0A	Torque Feedforward	1 V/100% rated torque	–
	n.□□0B	Active Gain*	1st gain: 1 V 2nd gain: 2 V	The gain that is active is indicated by the output voltage.
	n.□□0C	Completion of Position Reference Distribution	Distribution completed: 5 V Distribution not completed: 0 V	Completion is indicated by the output voltage.
	n.□□0D	External Encoder Speed	1 V/1,000 min ⁻¹	Value calculated at the motor shaft
n.□□10	Main Circuit DC Voltage	1 V/100 V (main circuit DC voltage)	–	

* Refer to the following section for details.

 8.12.1 Automatic Gain Switching on page 8-66

Changing the Monitor Factor and Offset

You can change the monitor factors and offsets for the output voltages for analog monitor 1 and analog monitor 2. The relationships to the output voltages are as follows:

$$\text{Analog monitor 1 output voltage} = (-1) \times \left\{ \begin{array}{l} \text{Analog Monitor 1 Signal} \\ \text{Selection (Pn006 = n.}\square\square\text{XX)} \end{array} \times \begin{array}{l} \text{Analog Monitor 1} \\ \text{Magnification (Pn552)} \end{array} + \begin{array}{l} \text{Analog Monitor 1} \\ \text{Offset Voltage (Pn550)} \end{array} \right\}$$

$$\text{Analog monitor 2 output voltage} = (-1) \times \left\{ \begin{array}{l} \text{Analog Monitor 2 Signal} \\ \text{Selection (Pn007 = n.}\square\square\text{XX)} \end{array} \times \begin{array}{l} \text{Analog Monitor 2} \\ \text{Magnification (Pn553)} \end{array} + \begin{array}{l} \text{Analog Monitor 2} \\ \text{Offset Voltage (Pn551)} \end{array} \right\}$$

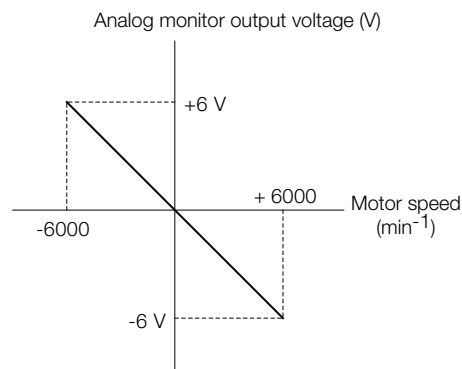
The following parameters are set.

Pn550	Analog Monitor 1 Offset Voltage				
	Setting Range	Setting Unit	Default Setting	When Enabled	Classification
	-10,000 to 10,000	0.1 V	0	Immediately	Setup
Pn551	Analog Monitor 2 Offset Voltage				
	Setting Range	Setting Unit	Default Setting	When Enabled	Classification
	-10,000 to 10,000	0.1 V	0	Immediately	Setup
Pn552	Analog Monitor 1 Magnification				
	Setting Range	Setting Unit	Default Setting	When Enabled	Classification
	-10,000 to 10,000	x0.01	100	Immediately	Setup
Pn553	Analog Monitor 2 Magnification				
	Setting Range	Setting Unit	Default Setting	When Enabled	Classification
	-10,000 to 10,000	x0.01	100	Immediately	Setup

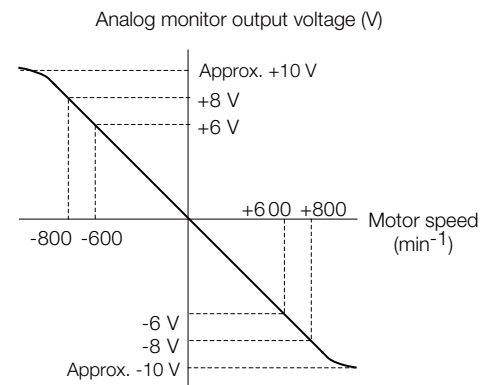
Example

- Example for Setting the Item to Monitor to the Motor Speed (Pn006 = n.□□00)

When Pn552 = 100 (Setting Unit: x0.01)



When Pn552 = 1,000 (Setting Unit: x0.01)



Note: The effective linearity range is ±8 V.
The resolution is 16 bits.

Adjusting the Analog Monitor Output

You can manually adjust the offset and gain for the analog monitor outputs for the torque reference monitor and motor speed monitor.

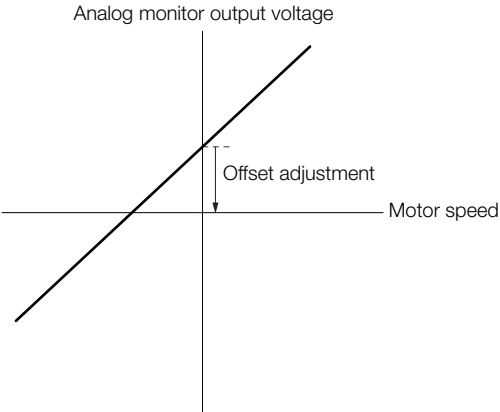
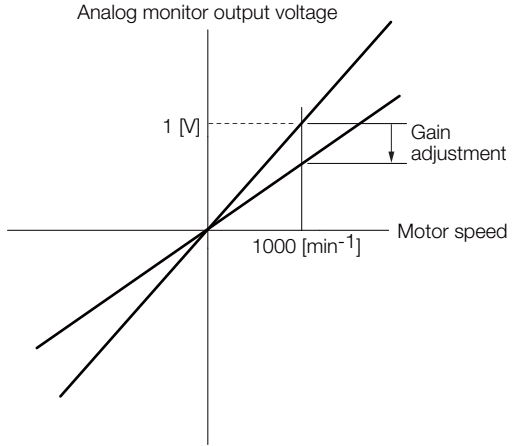
The offset is adjusted to compensate for offset in the zero point caused by output voltage drift or noise in the monitoring system.

The gain is adjusted to match the sensitivity of the measuring system.

The offset and gain are adjusted at the factory. You normally do not need to adjust them.

◆ Adjustment Example

An example of adjusting the output of the motor speed monitor is provided below.

Offset Adjustment		Gain Adjustment	
			
Item	Specification	Item	Specification
Offset Adjustment Range	-2.4 V to 2.4 V	Gain Adjustment Range	100 ±50%
Adjustment Unit	18.9 mV/LSB	Adjustment Unit	0.4%/LSB

The gain adjustment range is made using a 100% output value (gain adjustment of 0) as the reference value with an adjustment range of 50% to 150%. A setting example is given below.

- Setting the Adjustment Value to -125
 $100 + (-125 \times 0.4) = 50 \text{ [%]}$
 Therefore, the monitor output voltage goes to 50% of the original value.
- Setting the Adjustment Value to 125
 $100 + (125 \times 0.4) = 150 \text{ [%]}$
 Therefore, the monitor output voltage goes to 150% of the original value.

- Information**
- The adjustment values do not use parameters, so they will not change even if the parameter settings are initialized.
 - Adjust the offset with the measuring instrument connected so that the analog monitor output value goes to zero. The following setting example achieves a zero output.
 - While power is not supplied to the Servomotor, set the monitor signal to the torque reference.
 - In speed control, set the monitor signal to the position deviation.

◆ Preparations

Always check the following before you adjust the analog monitor output.

- The parameters must not be write prohibited.

◆ Applicable Tools

You can use the following tools to adjust analog monitor outputs. The function that is used is given for each tool.

- Offset Adjustment


Tool	Function	Operating Procedure Reference
Digital Operator	Fn00C	📖 Σ-7-Series Digital Operator Operating Manual (Manual No.: SIEP S800001 33)
SigmaWin+	Setup - Adjust Offset	🖱️ ◆ Operating Procedure on page 9-13

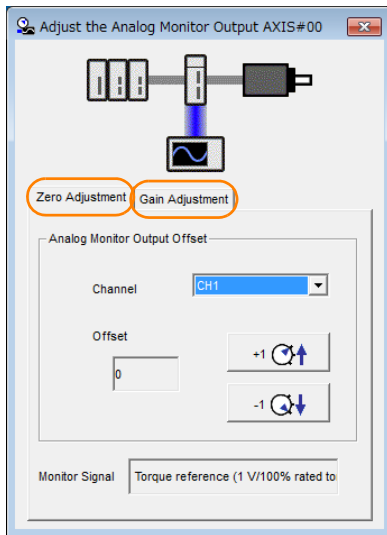
- Gain Adjustment

Tool	Function	Operating Procedure Reference
Digital Operator	Fn00D	Σ-7-Series Digital Operator Operating Manual (Manual No.: SIEP S800001 33)
SigmaWin+	Setup - Adjust Offset	◆ <i>Operating Procedure</i> on page 9-13

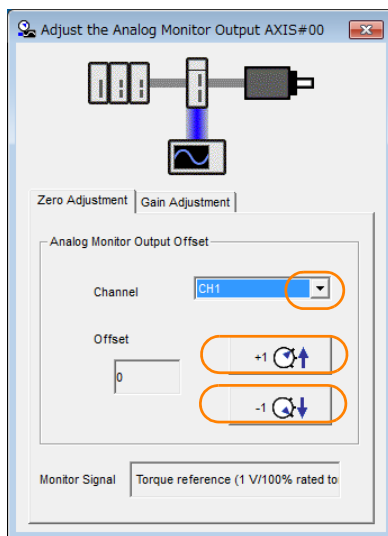
◆ Operating Procedure

Use the following procedure to adjust the analog monitor output.

1. Click the  Servo Drive Button in the workspace of the Main Window of the SigmaWin+.
2. Select **Adjust the Analog Monitor Output** in the Menu Dialog Box. The Adjust the Analog Monitor Output Dialog Box will be displayed.
3. Click the **Zero Adjustment** or **Gain Adjustment** Tab.







4. While watching the analog monitor, use the **+1** and **-1** Buttons to adjust the offset. There are two channels: CH1 and CH2. If necessary, click the down arrow on the **Channel** Box and select the channel.



This concludes adjusting the analog monitor output.


9.4 Monitoring Product Life

9.4.1 Items That You Can Monitor

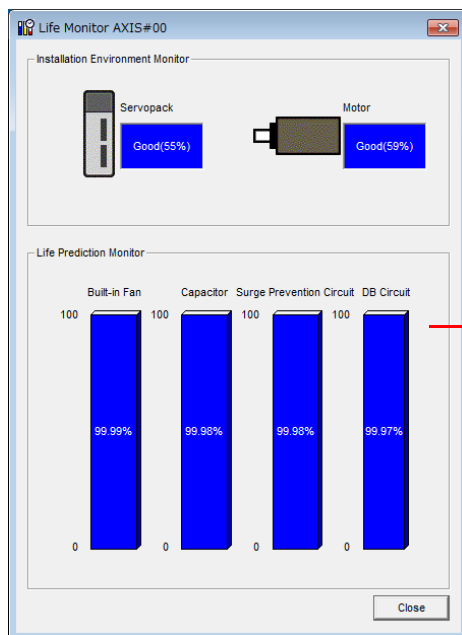
Monitor Item	Description
SERVOPACK Installation Environment	The operating status of the SERVOPACK in terms of the installation environment is displayed. Implement one or more of the following actions if the monitor value exceeds 100%. <ul style="list-style-type: none"> • Lower the surrounding temperature. • Decrease the load.
Servomotor Installation Environment	The operating status of the SERVOPACK in terms of the installation environment is displayed. Implement one or more of the following actions if the monitor value exceeds 100%. <ul style="list-style-type: none"> • Lower the surrounding temperature. • Decrease the load.
Built-in Fan Service Life Prediction	The unused status of the SERVOPACK is treated as the 100% value. The value decreases each time the main circuit power supply is turned ON and each time the servo is turned OFF. Use a monitor value of 0% as a guideline for the replacement period. Refer to the following section for part replacement guidelines.  14.1.2 Guidelines for Part Replacement on page 14-2
Capacitor Service Life Prediction	The unused status of the SERVOPACK is treated as the 100% value. The value decreases each time the main circuit power supply is turned ON and each time the servo is turned OFF. Use a monitor value of 0% as a guideline for the replacement period. Refer to the following section for part replacement guidelines.  14.1.2 Guidelines for Part Replacement on page 14-2
Surge Prevention Circuit Service Life Prediction	The unused status of the SERVOPACK is treated as the 100% value. The value decreases each time the main circuit power supply is turned ON and each time the servo is turned OFF. Use a monitor value of 0% as a guideline for the replacement period. Refer to the following section for part replacement guidelines.  14.1.2 Guidelines for Part Replacement on page 14-2
Dynamic Brake Circuit Service Life Prediction	The unused status of the SERVOPACK is treated as the 100% value. The value decreases each time the main circuit power supply is turned ON and each time the servo is turned OFF. Use a monitor value of 0% as a guideline for the replacement period. Refer to the following section for part replacement guidelines.  14.1.2 Guidelines for Part Replacement on page 14-2

9.4.2 Operating Procedure

Use the following procedure to display the installation environment and service life prediction monitor dialog boxes.

1. Click the  Servo Drive Button in the workspace of the Main Window of the SigmaWin+.
2. Select **Life Monitor** in the Menu Dialog Box.
The Life Monitor Dialog Box will be displayed.

Information With the Digital Operator, you can use Un025 to Un02A to monitor this information.



A value of 100% indicates that the SERVOPACK has not yet been used. The percentage decreases as the SERVOPACK is used and reaches 0% when it is time to replace the SERVOPACK.

9.4.3 Preventative Maintenance

You can use preventative maintenance warnings for preventative maintenance.

The SERVOPACK can notify the host controller when it is time to replace any of the main parts.

Preventative Maintenance Warning

An A.9b0 warning (Preventative Maintenance Warning) is detected when any of the following service life prediction values drops to 10% or less: SERVOPACK built-in fan life, capacitor life, inrush current limiting circuit life, and dynamic brake circuit life. You can change the setting of Pn00F = n.□□□X to enable or disable these warnings.

Parameter	Description	When Enabled	Classification
Pn00F	n.□□□0 (default setting)	After restart	Setup
	n.□□□1		

9.5 Alarm Tracing

Alarm tracing records data in the SERVOPACK from before and after an alarm occurs. This data helps you to isolate the cause of the alarm.

You can display the data recorded in the SERVOPACK as a trace waveform on the SigmaWin+.

Information

- Alarms that occur when the power supply is turned ON are not recorded.
- Alarms that occur during the recording of alarm trace data are not recorded.
- Alarms that occur while utility functions are being executed are not recorded.


9.5.1 Data for Which Alarm Tracing Is Performed

Two types of data are recorded for alarm tracing: numeric data and I/O signal ON/OFF data.

Numeric Data	ON/OFF Data
Torque reference	ALM
Feedback speed	Servo ON command (/S-ON)
Reference speed	Proportional control command (/P-CON)
Position reference speed	Forward torque command (/P-CL)
Position deviation	Reverse torque command (/N-CL)
Motor-load position deviation	G-SEL1 signal (/G-SEL1)
Main circuit bus voltage	ACON

9.5.2 Applicable Tools

The following table lists the tools that you can use to perform alarm tracing and the applicable tool functions.

Tool	Function	Operating Procedure Reference
Digital Operator	You cannot display alarm tracing data from the Digital Operator.	
SigmaWin+	Alarm - Alarm Tracing	 AC Servo Drive Engineering Tool SigmaWin+ Operation Manual (Manual No.: SIET S800001 34)

Fully-Closed Loop Control

10

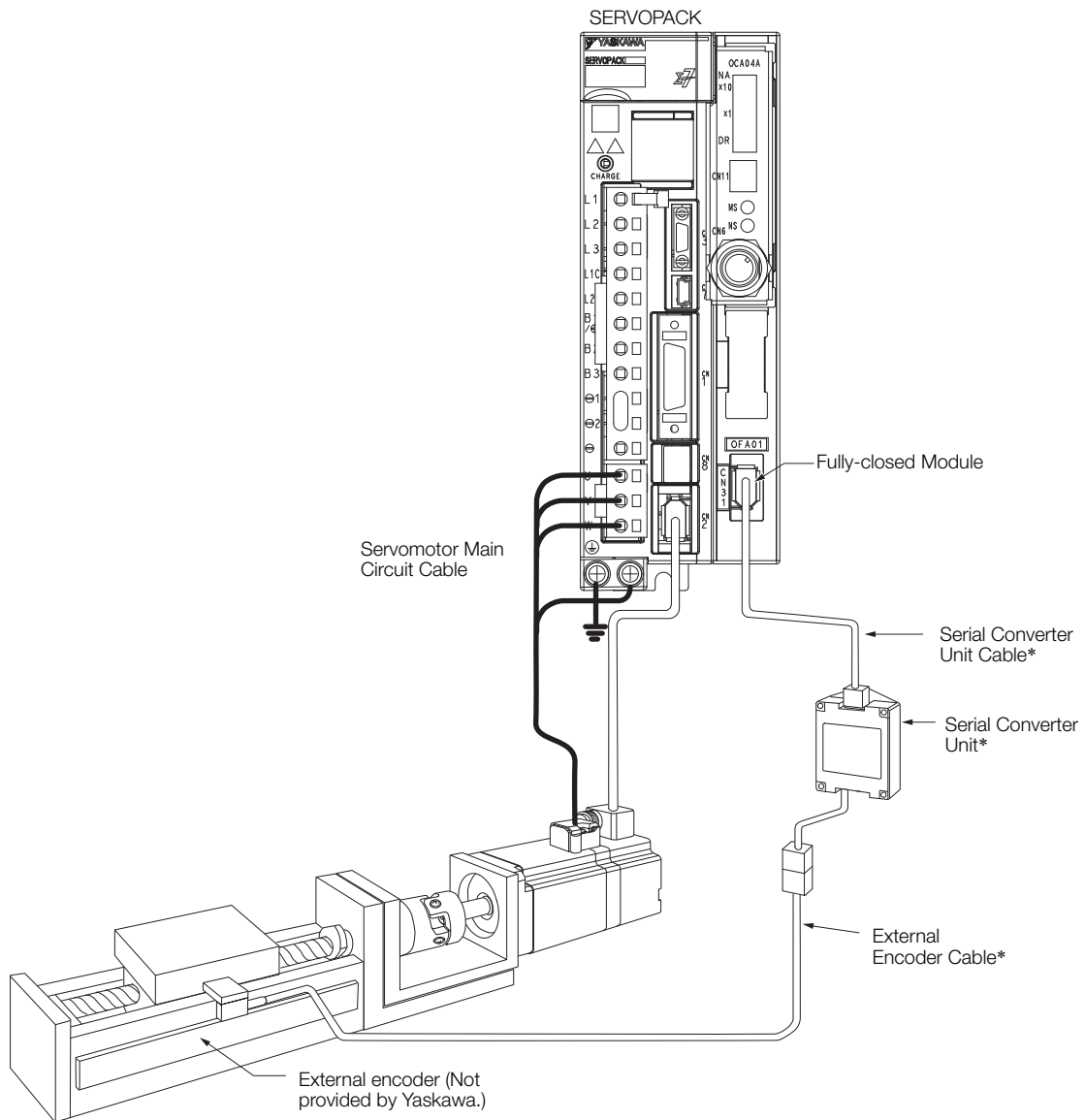
This chapter provides detailed information on performing fully-closed loop control with the SERVOPACK.

10.1	Fully-Closed System	10-2
10.2	SERVOPACK Commissioning Procedure	10-3
10.3	Parameter Settings for Fully-Closed Loop Control	10-5
10.3.1	Control Block Diagram for Fully-Closed Loop Control	10-5
10.3.2	Setting the Motor Direction and the Machine Movement Direction	10-6
10.3.3	Setting the Number of External Encoder Scale Pitches	10-7
10.3.4	Setting the PAO, PBO, and PCO (Encoder Divided Pulse Output) Signals	10-7
10.3.5	Electronic Gear Setting	10-8
10.3.6	Alarm Detection Settings	10-8
10.3.7	Analog Monitor Signal Settings	10-9
10.3.8	Setting to Use an External Encoder for Speed Feedback	10-9

10.1 Fully-Closed System

With a fully-closed system, an externally installed encoder is used to detect the position of the controlled machine and the machine's position information is fed back to the SERVOPACK. High-precision positioning is possible because the actual machine position is fed back directly. With a fully-closed system, looseness or twisting of mechanical parts may cause vibration or oscillation, resulting in unstable positioning.

The following figure shows an example of the system configuration.



* The connected devices and cables depend on the type of external linear encoder that is used.

Note: Refer to the following section for details on connections that are not shown above, such as connections to power supplies and peripheral devices.

 [2.4 Examples of Standard Connections between SERVOPACKs and Peripheral Devices](#) on page 2-27

10.2 SERVOPACK Commissioning Procedure

First, confirm that the SERVOPACK operates correctly with semi-closed loop control, and then confirm that it operates correctly with fully-closed loop control. The commissioning procedure for the SERVOPACK for fully-closed loop control is given below.

Step	Description	Operation	Required Parameter Settings	Controlling Device
1	<p>Check operation of the entire sequence with semi-closed loop control and without a load.</p> <p>Items to Check</p> <ul style="list-style-type: none"> • Power supply circuit wiring • Servomotor wiring • Encoder wiring • Wiring of I/O signal lines from the host controller • Servomotor rotation direction, motor speed, and multiturn data • Operation of safety mechanisms, such as the brakes and the overtravel mechanisms 	<p>Set the parameters so that the SERVOPACK operates correctly in semi-closed loop control without a load and check the following points. Set Pn002 to n.0□□□ to specify semi-closed loop control.</p> <ul style="list-style-type: none"> • Are there any errors in the SERVOPACK? • Does jogging function correctly when you operate the SERVOPACK without a load? • Do the I/O signals turn ON and OFF correctly? • Is power supplied to the Servomotor when the Servo ON command is sent from the host controller? • Does the Servomotor operate correctly when a position reference is input by the host controller? 	<ul style="list-style-type: none"> • Pn000 (Basic Function Select Switch 0) • Pn001 (Basic Function Select Switch 1) • Pn002 = n.X□□□ (External Encoder Usage) • Pn20E (Electronic Gear Ratio (Numerator)) • Pn210 (Electronic Gear Ratio (Denominator)) 	SERVOPACK or host controller
2	<p>Check operation with the Servomotor connected to the machine with semi-closed loop control.</p> <p>Items to Check</p> <ul style="list-style-type: none"> • Initial response of the system connected to the machine • Movement direction, travel distance, and movement speed as specified by the references from the host controller 	<p>Connect the Servomotor to the machine. Set the moment of inertia ratio in Pn103 using autotuning without a host reference. Check that the machine's movement direction, travel distance, and movement speed agree with the references from the host controller.</p>	Moment of Inertia Ratio (Pn103)	Host controller
3	<p>Check the external encoder.</p> <p>Items to Check</p> <p>Is the signal from the external encoder received correctly?</p>	<p>Set the parameters related to fully-closed loop control and move the machine with your hand without turning ON the power supply to the Servomotor. Check the following status with the Digital Operator or SigmaWin+.</p> <ul style="list-style-type: none"> • Does the fully-closed feedback pulse counter count up when the Servomotor moves in the forward direction? • Is the travel distance of the machine visually about the same as the amount counted by the fully-closed feedback pulse counter? <p>Note: The unit for the fully-closed feedback pulse counter is pulses, which is equivalent to the external encoder sine wave pitch.</p>	<ul style="list-style-type: none"> • Pn002 = n.X□□□ (External Encoder Usage) • Pn20A (Number of External Scale Pitches) • Pn20E (Electronic Gear Ratio (Numerator)) • Pn210 (Electronic Gear Ratio (Denominator)) • Pn281 (Encoder Output Resolution) • Pn51B (Excessive Error Level between Servomotor and Load Positions) • Pn522 (Positioning Completed Width) • Pn52A (Multiplier per One Fully-closed Rotation) 	—

Continued on next page.

Continued from previous page.

Step	Description	Operation	Required Parameter Settings	Controlling Device
4	Perform a program jogging operation. Items to Check Does the fully-closed system operate correctly for the SERVOPACK without a load?	Perform a program jogging operation and confirm that the travel distance is the same as the reference value in Pn531. When you perform program jogging, start from a low speed and gradually increase the speed.	Program jogging-related parameters (Pn530 to Pn536)	SERVO-PACK
5	Operate the SERVOPACK. Items to Check Does the fully-closed system operate correctly, including the host controller?	Input a position reference and confirm that the SERVOPACK operates correctly. Start from a low speed and gradually increase the speed.	–	Host controller

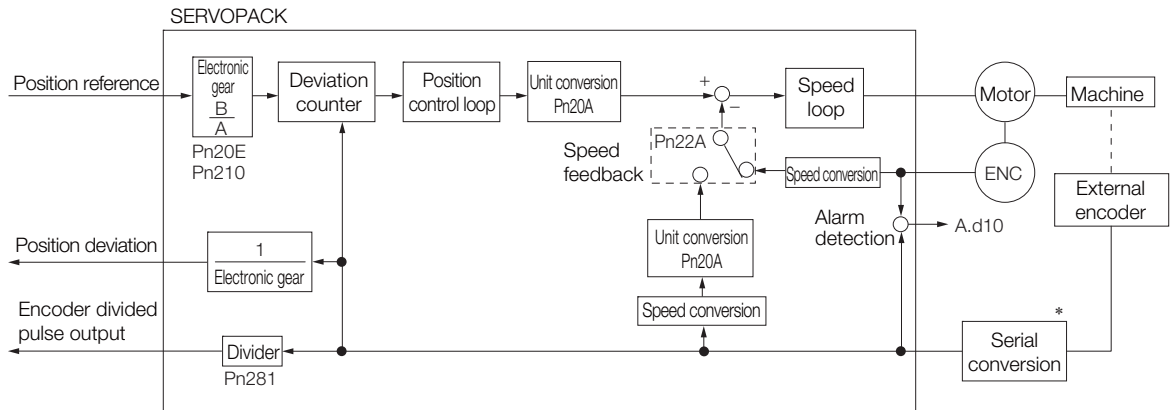
10.3 Parameter Settings for Fully-Closed Loop Control

This section describes the parameter settings that are related to fully-closed loop control.

Parameter to Set	Setting	Reference
Pn000 = n.□□□X	Motor direction	page 10-6
Pn002 = n.X□□□	External encoder usage method	
Pn20A	Number of external scale pitches	page 10-7
Pn281	Encoder divided pulse output signals (PAO, PBO, and PCO) from the SERVOPACK	page 10-7
Pn20E and Pn210	Electronic gear ratio	page 5-40
Pn51B	Excessive deviation level between Servomotor and load positions	page 10-8
Pn52A	Multiplier for one fully-closed rotation	
Pn006/Pn007	Analog monitor signal	page 10-9
Pn22A = n.X□□□	Speed feedback method during fully-closed loop control	page 10-9

10.3.1 Control Block Diagram for Fully-Closed Loop Control

The control block diagram for fully-closed loop control is provided below.



* The connected device depends on the type of external encoder.

Note: You can use either an incremental or an absolute encoder. If you use an absolute encoder, set Pn002 to n.□1□□ (Use the absolute encoder as an incremental encoder).

10.3.2 Setting the Motor Direction and the Machine Movement Direction

You must set the motor direction and the machine movement direction. To perform fully-closed loop control, you must set the motor rotation direction with both Pn000 = n.□□□X (Direction Selection) and Pn002 = n.X□□□ (External Encoder Usage).


Parameter			Pn002 = n.X□□□ (External Encoder Usage)			
			n.1□□□		n.3□□□	
Pn000 = n.□□□X (Direction Selection)	n.□□□0	Reference direction	Forward reference	Reverse reference	Forward reference	Reverse reference
		Motor direction	CCW	CW	CCW	CW
		External encoder	Forward movement	Reverse movement	Reverse movement	Forward movement
	n.□□□1	Reference direction	Forward reference	Reverse reference	Forward reference	Reverse reference
		Motor direction	CW	CCW	CW	CCW
		External encoder	Forward movement	Reverse movement	Reverse movement	Forward movement

- Phase B leads in the divided pulses for a forward reference regardless of the setting of Pn000 = n.□□□X.
- Forward direction: The direction in which the pulses are counted up.
- Reverse direction: The direction in which the pulses are counted down.

Related Parameters

◆ Pn000 = n.□□□X

Refer to the following section for details.

 5.4 Motor Direction Setting on page 5-16

◆ Pn002 = n.X□□□

When you perform fully-closed loop control, set Pn002 to n.1□□□ or n.3□□□.

Parameter		Name	Meaning	When Enabled	Classification
Pn002	n.0□□□ (default setting)	External Encoder Usage	Do not use an external encoder.	After restart	Setup
	n.1□□□		External encoder moves in forward direction for CCW motor rotation.		
	n.2□□□		Reserved parameter (Do not change.)		
	n.3□□□		External encoder moves in reverse direction for CCW motor rotation.		
	n.4□□□		Reserved parameter (Do not change.)		

Information

Determine the setting of Pn002 = n.X□□□ as described below.

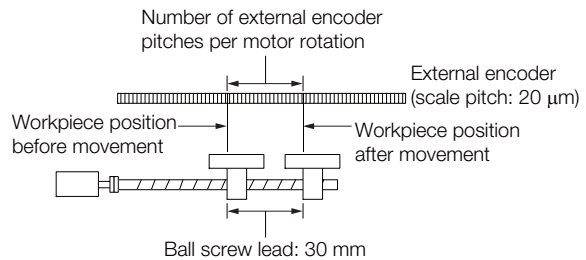
- Set Pn000 to n.□□□0 (Use the direction in which the linear encoder counts up as the forward direction) and set Pn002 to n.1□□□ (The external encoder moves in the forward direction for CCW motor rotation).
- Manually rotate the motor shaft counterclockwise.
- If the fully-closed feedback pulse counter counts up, do not change the setting of Pn002 (Pn002 = n.1□□□).
- If the fully-closed feedback pulse counter counts down, set Pn002 to n.3□□□.

10.3.3 Setting the Number of External Encoder Scale Pitches

Set the number of external encoder scale pitches per motor rotation in Pn20A.

Setting Example

Specifications External encoder scale pitch: 20 μm Ball screw lead: 30 mm
--



If the external encoder is connected directly to the motor, the setting will be 1,500 ($30 \text{ mm} / 0.02 \text{ mm} = 1,500$).

Note: 1. If there is a fraction, round off the digits below the decimal point.

2. If the number of external encoder scale pitches per motor rotation is not an integer, there will be deviation in the position loop gain (Kp), feedforward, and position reference speed monitor. This is not relevant for the position loop and it therefore does not interfere with the position accuracy.

Related Parameters

Pn20A	Number of External Scale Pitches				
	Setting Range	Setting Unit	Default Setting	When Enabled	Classification
	4 to 1,048,576	1 scale pitch/revolution	32,768	After restart	Setup

10.3.4 Setting the PAO, PBO, and PCO (Encoder Divided Pulse Output) Signals

Set the position resolution in Pn281 (Encoder Output Resolution).

Enter the number of phase A and phase B edges for the setting.

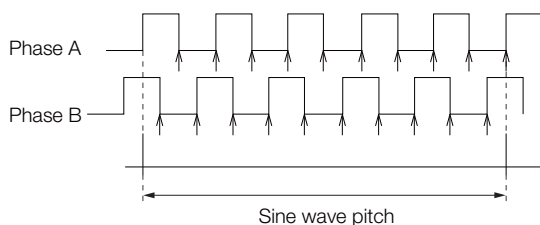
Setting Example

Specifications External encoder scale pitch: 20 μm Ball screw lead: 30 mm Speed: 1,600 mm/s

If a single pulse (multiplied by 4) is output for 1 μm, the setting would be 20.

If a single pulse (multiplied by 4) is output for 0.5 μm, the setting would be 40.

The encoder divided pulse output would have the following waveform if the setting is 20.



“↑” indicates the edge positions. In this example, the set value is 20 and therefore the number of edges is 20.

Note: The upper limit of the encoder signal output frequency (multiplied by 4) is 6.4 Mpps. Do not set a value that would cause the output to exceed 6.4 Mpps. If the output exceeds the upper limit, an A.511 alarm (Overspeed of Encoder Output Pulse Rate) will be output.

10.3.5 Electronic Gear Setting

Example

If the setting is 20 and the speed is 1,600 mm/s, the output frequency would be 1.6 Mpps

$$\frac{1600 \text{ mm/s}}{0.001 \text{ mm}} = 1,600,000 = 1.6 \text{ Mpps}$$

Because 1.6 Mpps is less than 6.4 Mpps, this setting can be used.


Related Parameters

Pn281	Encoder Output Resolution				
	Setting Range	Setting Unit	Default Setting	When Enabled	Classification
	1 to 4,096	1 edge/pitch	20	After restart	Setup

Note: The maximum setting for the encoder output resolution is 4,096.
 If the resolution of the external encoder exceeds 4,096, pulse output will no longer be possible at the resolution given in **Feedback Resolution of Linear Encoder** on page 5-43.

10.3.5 Electronic Gear Setting

Refer to the following section for details.

 **5.14 Electronic Gear Settings** on page 5-40

With fully-closed loop control, the same setting as for a Linear Servomotor is used.

10.3.6 Alarm Detection Settings

This section describes the alarm detection settings (Pn51B and Pn52A).

Pn51B (Excessive Error Level between Servomotor and Load Positions)

This setting is used to detect the difference between the feedback position of the motor encoder and the feedback load position of the external encoder for fully-closed loop control. If the detected difference exceeds the setting, an A.d10 alarm (Motor-Load Position Error Overflow) will be output.

Pn51B	Excessive Error Level between Servomotor and Load Positions				
	Setting Range	Setting Unit	Default Setting	When Enabled	Classification
	0 to 1,073,741,824	1 reference unit	1000	Immediately	Setup

Note: If you set this parameter to 0, A.d10 alarms will not be output and the machine may be damaged.

Pn52A (Multiplier per One Fully-closed Rotation)

Set the coefficient of the deviation between the motor and the external encoder per motor rotation.

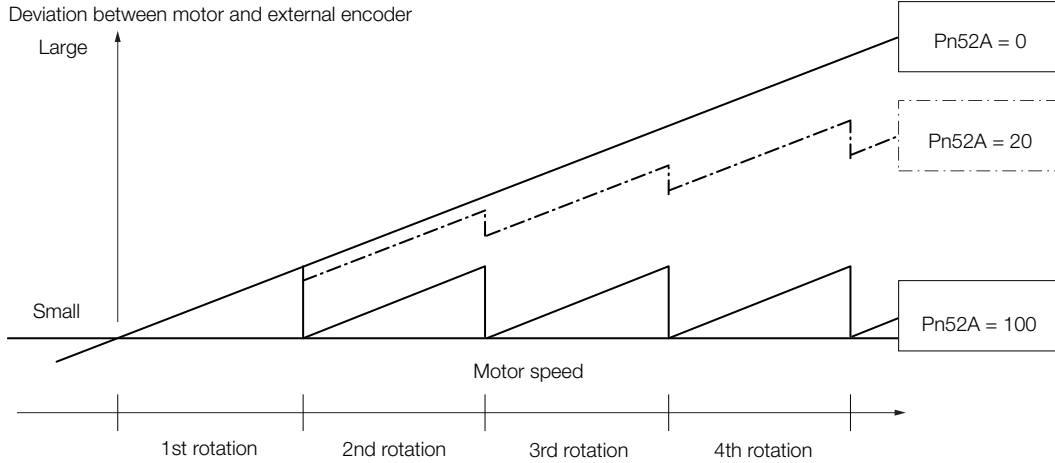
This setting can be used to prevent the motor from running out of control due to damage to the external encoder or to detect belt slippage.

◆ **Setting Example**

Increase the value if the belt slips or is twisted excessively.

If this parameter is set to 0, the external encoder value will be read as it is.

If you use the default setting of 20, the second rotation will start with the deviation for the first motor rotation multiplied by 0.8.



◆ **Related Parameters**

Pn52A	Multiplier per One Fully-closed Rotation				
	Setting Range	Setting Unit	Default Setting	When Enabled	Classification
	0 to 100	1%	20	Immediately	Setup

10.3.7 Analog Monitor Signal Settings

You can monitor the position deviation between the Servomotor and load with an analog monitor.

Parameter	Name	Meaning	When Enabled	Classification
Pn006	n.□□07	Analog Monitor 1 Signal Selection	Immediately	Setup
Pn007	n.□□07	Analog Monitor 2 Signal Selection		

10.3.8 Setting to Use an External Encoder for Speed Feedback

For fully-closed loop control, you normally set a parameter to specify using the motor encoder speed (Pn22A = n.0□□□).

If you will use a Direct Drive Servomotor and a high-resolution external encoder, set the parameter to specify using the speed of the external encoder (Pn22A = n.1□□□).

Parameter	Meaning	When Enabled	Classification
Pn22A	n.0□□□ (default setting)	After restart	Setup
	n.1□□□		

Note: This parameter cannot be used if Pn002 is set to n.0□□□ (Do not use external encoder).

Safety Functions

11

This chapter provides detailed information on the safety functions of the SERVOPACK.


11.1	Introduction to the Safety Functions	11-2
11.1.1	Safety Functions	11-2
11.1.2	Precautions for Safety Functions	11-2
11.2	Hard Wire Base Block (HWBB)	11-3
11.2.1	Risk Assessment	11-3
11.2.2	Hard Wire Base Block (HWBB) State	11-4
11.2.3	Resetting the HWBB State	11-5
11.2.4	Detecting Errors in HWBB Signal	11-5
11.2.5	HWBB Input Signal Specifications	11-6
11.2.6	Operation without a Host Controller	11-6
11.2.7	Servo Ready	11-7
11.2.8	/BK (Brake Output) Signal	11-7
11.2.9	Stopping Methods	11-8
11.2.10	ALM (Servo Alarm) Signal	11-8
11.3	EDM1 (External Device Monitor)	11-9
11.3.1	EDM1 Output Signal Specifications	11-9
11.4	Applications Examples for Safety Functions . .	11-10
11.4.1	Connection Example	11-10
11.4.2	Failure Detection Method	11-10
11.4.3	Procedure	11-11
11.5	Validating Safety Functions	11-12
11.6	Connecting a Safety Function Device . . .	11-13

11.1 Introduction to the Safety Functions

11.1.1 Safety Functions

Safety functions are built into the SERVOPACK to reduce the risks associated with using the machine by protecting workers from the hazards of moving machine parts and otherwise increasing the safety of machine operation. Especially when working in hazardous areas inside guards, such as for machine maintenance, the safety function can be used to avoid hazardous moving machine parts.

Refer to the following section for information on the safety function and safety parameters.

 *Compliance with UL Standards, EU Directives, and Other Safety Standards on page xxvi*



Products that display the TÜV mark on the nameplate have met the safety standards.

11.1.2 Precautions for Safety Functions

WARNING

- To confirm that the HWBB function satisfies the safety requirements of the system, you must conduct a risk assessment of the system.
Incorrect use of the safety function may cause injury.
- The Servomotor will move if there is an external force (e.g., gravity on a vertical axis) even when the HWBB function is operating. Use a separate means, such as a mechanical brake, that satisfies the safety requirements.
Incorrect use of the safety function may cause injury.
- While the HWBB function is operating, the motor may move within an electric angle of 180° or less as a result of a SERVOPACK failure. Use the HWBB function for an application only after confirming that movement of the motor will not result in a hazardous condition.
Incorrect use of the safety function may cause injury.
- The dynamic brake and the brake signal are not safety-related elements. You must design the system so that SERVOPACK failures will not cause a hazardous condition while the HWBB function is operating.
Incorrect use of the safety function may cause injury.
- Connect devices that satisfy the safety standards for the signals for safety functions.
Incorrect use of the safety function may cause injury.
- The HWBB function does not shut OFF the power to the SERVOPACK or electrically isolate it. Implement measures to shut OFF the power supply to the SERVOPACK before you perform maintenance on it.
There is a risk of electric shock.

11.2 Hard Wire Base Block (HWBB)

A hard wire base block (abbreviated as HWBB) is a safety function that is designed to shut OFF the current to the motor with a hardwired circuit.

The drive signals to the Power Module that controls the motor current are controlled by the circuits that are independently connected to the two input signal channels to turn OFF the Power Module and shut OFF the motor current.



Important

For safety function signal connections, the input signal is the 0-V common and the output signal is a source output.

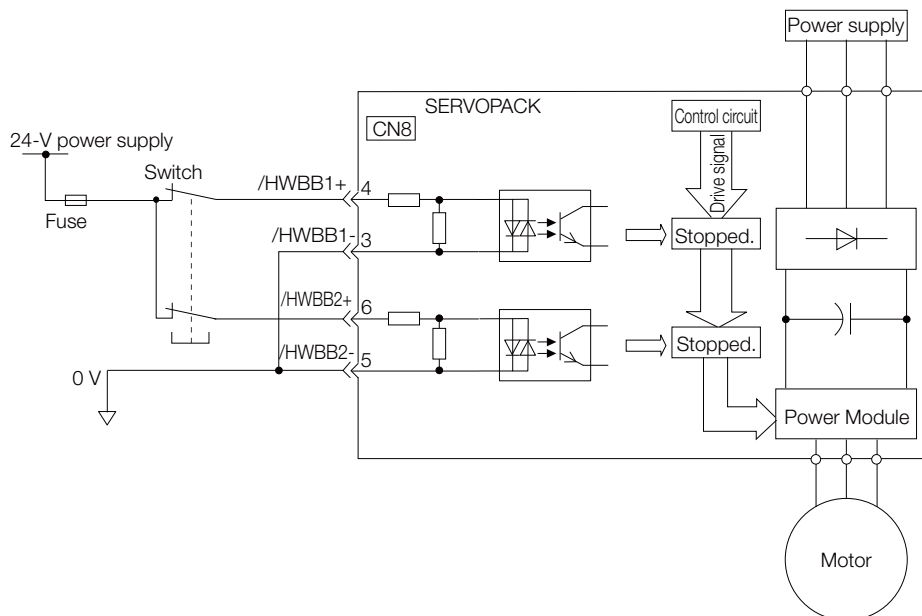
This is opposite to other signals described in this manual.

To avoid confusion, the ON and OFF status of signals for the safety function are defined as follows:

ON: The state in which the relay contacts are closed or the transistor is ON and current flows into the signal line.

OFF: The state in which the relay contacts are open or the transistor is OFF and no current flows into the signal line.

The input signal uses the 0-V common. The following figure shows a connection example.



11.2.1 Risk Assessment

When using the HWBB, you must perform a risk assessment of the servo system in advance to confirm that the safety level of the standards is satisfied. Refer to the following section for details on the standards.

Compliance with UL Standards, EU Directives, and Other Safety Standards on page xxvi

Note: To meet performance level e (PLe) in EN ISO 13849-1 and SIL3 in IEC 61508, the EDM1 signal must be monitored by the host controller. If the EDM1 signal is not monitored by the host controller, the level will be safety performance level c (PLc) and SIL1.

The following hazards exist even when the HWBB is operating. These hazards must be included in the risk assessment.

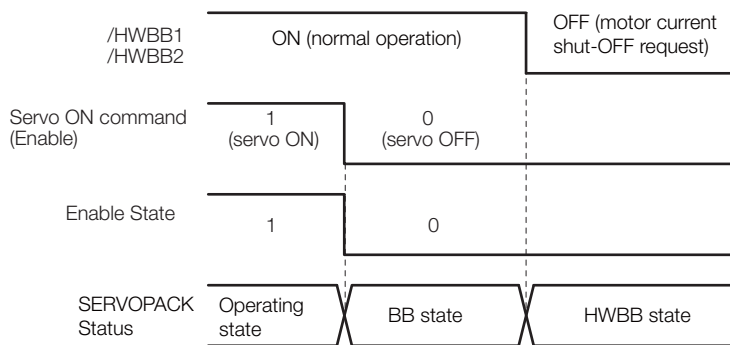
- The Servomotor will move if an external force is applied to it (for example, gravity on a vertical axis). Implement measures to hold the Servomotor, such as installing a separate mechanical brake.
- If a failure occurs such as a Power Module failure, the Servomotor may move within an electric angle of 180°. Ensure safety even if the Servomotor moves.
 - Rotary Servomotor: 1/6 rotation max. (rotational angle calculated at the motor shaft)

- Direct Drive Servomotor: 1/20 rotation max. (rotational angle calculated at the motor shaft)
- Linear Servomotor: 50 mm max.
- The HWBB does not shut OFF the power to the SERVOPACK or electrically isolate it. Implementation measures to shut OFF the power supply to the SERVOPACK before you perform maintenance on it.

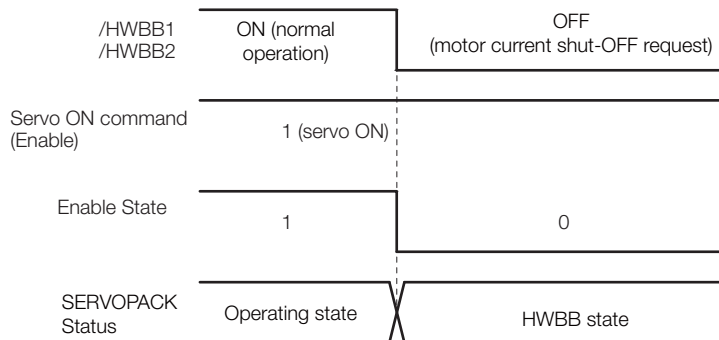
11.2.2 Hard Wire Base Block (HWBB) State

The SERVOPACK will be in the following state if the HWBB operates. If the /HWBB1 or /HWBB2 signal turns OFF, the HWBB will operate and the SERVOPACK will enter a HWBB state.

- **When HWBB Operates after Servo OFF (Power Not Supplied to Motor)**

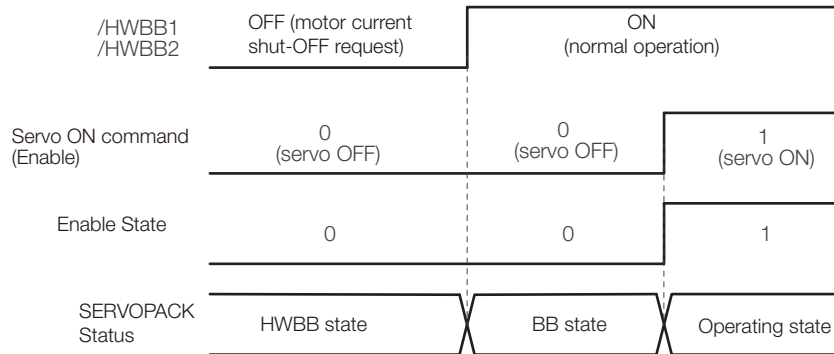


- **When HWBB Operates While Power Is Supplied to Servomotor**

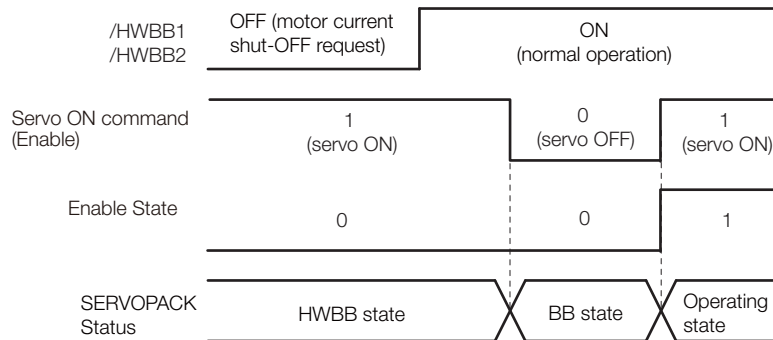


11.2.3 Resetting the HWBB State

Normally, after the Servo OFF (Enable = 0) command is received and power is no longer supplied to the Servomotor, the /HWBB1 and /HWBB2 signals will turn OFF and the SERVOPACK will enter the HWBB state. If you turn ON the /HWBB1 and /HWBB2 signals in this state, the SERVOPACK will enter a base block (BB) state and will be ready to acknowledge the Servo ON command (Enable = 1).



If the /HWBB1 and /HWBB2 signals are OFF and the Servo ON command (Enable = 1) is received, the HWBB state will be maintained even after the /HWBB1 and /HWBB2 signals are turned ON. Send the SV_OFF command (Enable = 0) to place the SERVOPACK in the BB state and then send the Servo ON command (Enable = 1).



Note: If the SERVOPACK is placed in the BB state while the main circuit power supply is OFF, the HWBB state will be maintained until the Servo OFF command (Enable = 0) is received.

11.2.4 Detecting Errors in HWBB Signal

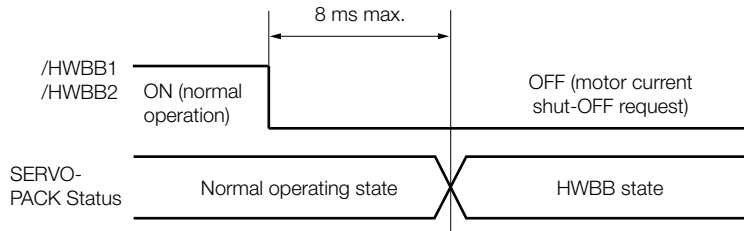
If only the /HWBB1 or the /HWBB2 signal is input, an A.Eb1 alarm (Safety Function Signal Input Timing Error) will occur unless the other signal is input within 10 seconds. This makes it possible to detect failures, such as disconnection of an HWBB signal.

CAUTION

- The A.Eb1 alarm (Safety Function Signal Input Timing Error) is not a safety-related element. Keep this in mind when you design the system.

11.2.5 HWBB Input Signal Specifications

If an HWBB is requested by turning OFF the two HWBB input signal channels (/HWBB1 and /HWBB2), the power supply to the Servomotor will be turned OFF within 8 ms.



Note: 1. The OFF status is not recognized if the OFF interval of the /HWBB1 or /HWBB2 signal is 0.5 ms or shorter.

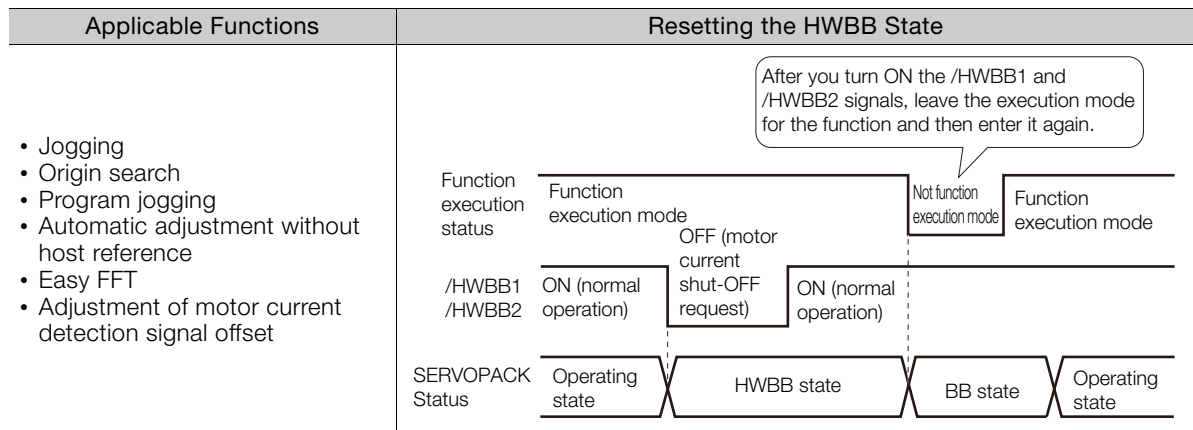
2. You can check the status of the input signals by using monitor displays. Refer to the following section for details.

9.2.3 I/O Signal Monitor on page 9-6

11.2.6 Operation without a Host Controller

The HWBB will operate even for operation without a host controller.

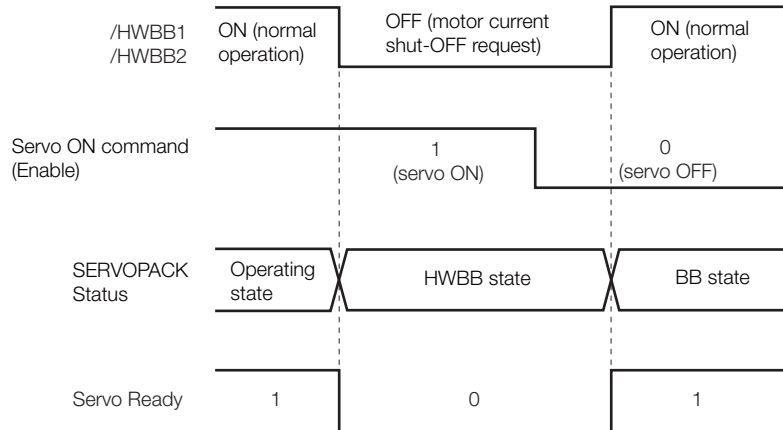
However, if the HWBB operates during execution of the following functions, leave the execution mode for the function and then enter it again. Operation will not be restarted simply by turning OFF the /HWBB1 and /HWBB2 signals.



11.2.7 Servo Ready

The Servo ON command (Enable = 1) signal will not be acknowledged in the HWBB state. Therefore, the Servo Ready bit will be 0. The Servo Ready bit will change to 1 when both the /HWBB1 and /HWBB2 signals are ON and the servo is OFF (BB state).

The following example is for when a servo alarm does not occur when the main circuit power supply is turned ON.



11.2.8 /BK (Brake Output) Signal

If the HWBB operates when the /HWBB1 or /HWBB2 signal is OFF, the /BK (Brake) signal will turn OFF. At that time, the setting in Pn506 (Brake Reference - Servo OFF Delay Time) will be disabled. Therefore, the Servomotor may be moved by external force until the actual brake becomes effective after the /BK signal turns OFF.

CAUTION

- The brake signal is not a safety-related element. You must design the system so that a hazardous condition does not occur even if the brake signal fails in the HWBB state. Also, if a Servomotor with a Brake is used, keep in mind that the brake in the Servomotor is used only to prevent the moving part from being moved by gravity or an external force and it cannot be used to stop the Servomotor.

11.2.9 Stopping Methods

If the /HWBB1 or /HWBB2 signal turns OFF and the HWBB operates, the Servomotor will stop according to the stop mode that is set for stopping the Servomotor when the servo turns OFF (Pn001 = n.□□□X). However, if the dynamic brake is enabled (Pn001 = n.□□□0 or n.□□□1), observe the following precautions.

 **CAUTION**

- The dynamic brake is not a safety-related element. You must design the system so that a hazardous condition does not occur even if the Servomotor coasts to a stop in the HWBB state. Normally, we recommend that you use a sequence that returns to the HWBB state after stopping for a reference.
- If the application frequently uses the HWBB, stopping with the dynamic brake may result in the deterioration of elements in the SERVOPACK. To prevent internal elements from deteriorating, use a sequence in which the HWBB state is returned to after the Servomotor has come to a stop.

11.2.10 ALM (Servo Alarm) Signal

The ALM (Servo Alarm) signal is not output in the HWBB state.

11.3 EDM1 (External Device Monitor)

The EDM1 (External Device Monitor) signal is used to monitor failures in the HWBB. Connect the monitor signal as a feedback signal, e.g., to the Safety Unit.

Note: To meet performance level e (PLe) in EN ISO 13849-1 and SIL3 in IEC 61508, the EDM1 signal must be monitored by the host controller. If the EDM1 signal is not monitored by the host controller, the level will be safety performance level c (PLc) and SIL1.

• Failure Detection Signal for EDM1 Signal

The relationship between the EDM1, /HWBB1, and /HWBB2 signals is shown below.

Detection of failures in the EDM1 signal circuit can be achieved by using the status of the /HWBB1, /HWBB2, and EDM1 signals in the following table. A failure can be detected by checking the failure status, e.g., when the power supply is turned ON.

Signal	Logic			
/HWBB1	ON	ON	OFF	OFF
/HWBB2	ON	OFF	ON	OFF
EDM1	OFF	OFF	OFF	ON

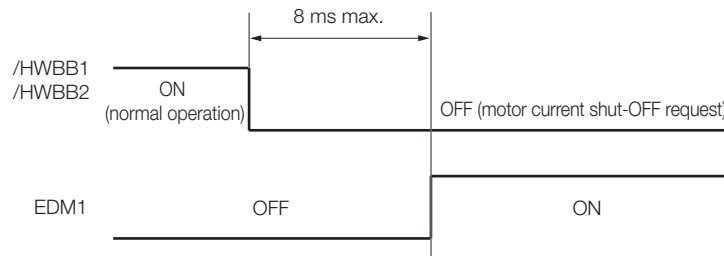


WARNING

- The EDM1 signal is not a safety output. Use it only for monitoring for failures.

11.3.1 EDM1 Output Signal Specifications

If an HWBB is requested by turning OFF the two HWBB input signal channels (/HWBB1 and /HWBB2) when the safety function is operating normally, the EDM1 output signal will be turned ON within 8 ms.

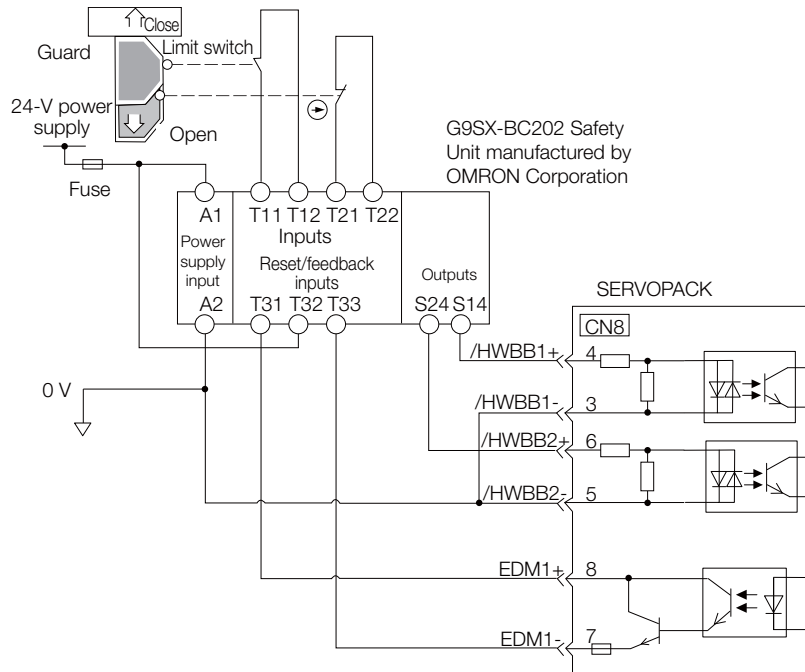


11.4 Applications Examples for Safety Functions

This section provides examples of using the safety functions.

11.4.1 Connection Example

In the following example, a Safety Unit is used and the HWBB operates when the guard is opened.



When the guard is opened, both the /HWBB1 and the /HWBB2 signals turn OFF, and the EDM1 signal turns ON. Because the feedback circuit is ON while the guard is closed, the Safety Unit is reset, the /HWBB1 and the /HWBB2 signals turn ON, and the operation is enabled.

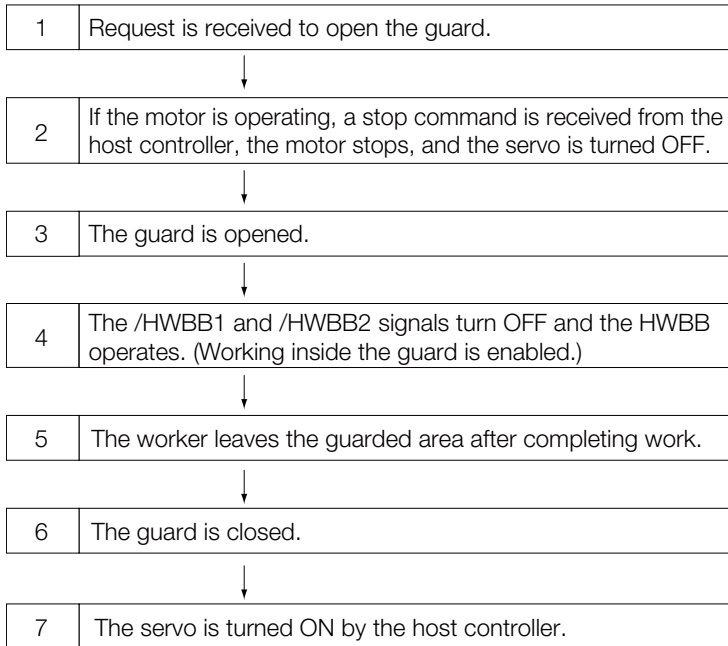
Note: The EDM1 signal is used as a source output. Connect the EDM1 so that the current flows from EDM1+ to EDM1-.

11.4.2 Failure Detection Method

If a failure occurs (e.g., the /HWBB1 or the /HWBB2 signal remains ON), the Safety Unit is not reset when the guard is closed because the EDM1 signal remains OFF. Therefore starting is not possible and a failure is detected.

In this case the following must be considered: an error in the external device, disconnection of the external wiring, short-circuiting in the external wiring, or a failure in the SERVOPACK. Find the cause and correct the problem.

11.4.3 Procedure



11.5 Validating Safety Functions

When you commission the system or perform maintenance or SERVOPACK replacement, you must always perform the following validation test on the HWBB function after completing the wiring. (It is recommended that you keep the confirmation results as a record.)

- When the /HWBB1 and /HWBB2 signals turn OFF, confirm that the Digital Operator displays **Hbb** and that the Servomotor does not operate.
- Monitor the ON/OFF status of the /HWBB1 and /HWBB2 signals.
If the ON/OFF status of the signals do not coincide with the display, the following must be considered: an error in the external device, disconnection of the external wiring, short-circuiting in the external wiring, or a failure in the SERVOPACK. Find the cause and correct the problem.

Refer to the following sections for details on the monitor.

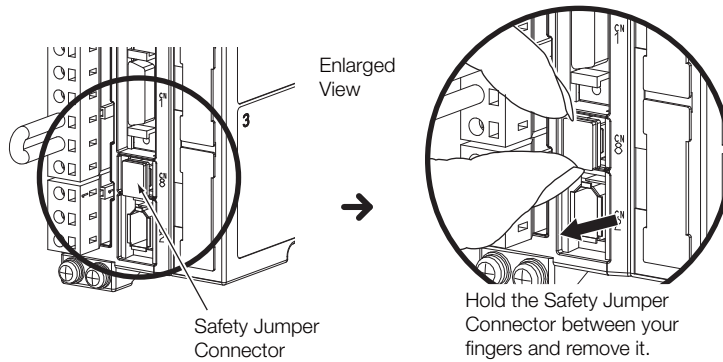
 9.2.3 I/O Signal Monitor on page 9-6

- Confirm that the EDM1 signal is OFF while in normal operation by using the feedback circuit input display of the connected device.

11.6 Connecting a Safety Function Device

Use the following procedure to connect a safety function device.

1. Remove the Safety Jumper Connector from the connector for the safety function device (CN8).



2. Connect the safety function device to the connector for the safety function device (CN8).

Note: If you do not connect a safety function device, leave the Safety Jumper Connector connected to the connector for the safety function device (CN8). If the SERVOPACK is used without the Safety Jumper Connector connected to CN8, no current will be supplied to the Servomotor and no motor torque will be output. In this case, **Hbb** will be displayed on the Digital Operator.

DeviceNet Functions

12

This chapter provides details on settings required to use the DeviceNet functions.

12.1 Setting the Coordinate System 12-2

- 12.1.1 Coordinate System Selection 12-2
- 12.1.2 Setting the Reference Units per Machine Revolution 12-2

12.2 Origin Returns 12-3

- 12.2.1 Origin Return Type 12-3
- 12.2.2 Parameter Settings 12-3
- 12.2.3 Setting the Origin 12-5

12.3 Positioning 12-6

- 12.3.1 Acceleration/Deceleration Patterns 12-6
- 12.3.2 Parameter Settings 12-11

12.4 Positioning after Continuous Operation 12-13

- 12.4.1 Positioning Patterns after Continuous Operation 12-13
- 12.4.2 Parameter Settings 12-14

12.5 Special Functions 12-16

- 12.5.1 Action Definition Settings 12-16
- 12.5.2 Initialization Functions 12-17

12.1 Setting the Coordinate System

You must set whether the SERVOPACK is used with a linear machine or a rotary machine. If a rotary system is specified, you can clear the current position to 0 each time the machine revolves one time.

12.1.1 Coordinate System Selection

You must change the setting of this parameter to use a rotary machine. If you specify a rotary system, you can set the unit for the current position and other values (for example, to 0.001°) by setting the gear ratio and the number of reference units per machine revolution. Also if you specify a rotary system, the valid range for software limits and other settings will be one machine revolution.

Parameter		Meaning
PnB12	b.□□□□ □□□□ □□□□ □□□□	Use the SERVOPACK with a machine with a linear coordinate system. (Default setting)
	b.□□□□ □□□□ □□□□ □□□1	Use the SERVOPACK with a machine with a rotary coordinate system. You can set PnB13 so that the current position will be cleared to 0 after each revolution of the machine.

12.1.2 Setting the Reference Units per Machine Revolution

If the SERVOPACK is connected to a machine with a rotary coordinate system, the number of reference units per revolution of the machine can be set in PnB13 so that the current position is automatically cleared to 0. For example, if an electronic gear is set for a reference unit of 0.001°, the current position will be given between 0.000° and 359.999°.

The setting of this parameter is ignored when a linear coordinate system is specified.

PnB13	Reference Units per Machine Revolution			
	Setting Range	Setting Unit	Default Setting	When Enabled
	1 to 1,500,000	1 reference unit	360,000	After restart

12.2 Origin Returns

An origin return must be performed after the power supply is turned ON to align the position of the motor with the position of the machine. An origin return, however, is not required if an absolute encoder is used.

12.2.1 Origin Return Type

The SERVOPACK supports the following three types of origin returns.

Origin Return Type	Function
Type 0	An origin return is based on the Home Flag and the detection of phase C of the encoder.
Type 1	An origin return is based only on the Home Flag. The axis travels at the origin approach speed in the specified origin return direction.
Type 3	An origin return is based only on the detection of phase C of the encoder.

Refer to the following section for details on origin returns.

 13.3.3 *Origin Returns* on page 13-15

12.2.2 Parameter Settings

Connecting the Origin Signal Input

To use an origin return, wire the SERVOPACK CN1 connector pin that corresponds to the switch for the origin signal input shown in the following table.

Type	Signal Name	Connector Pin	Meaning
Input	/HOME	CN1-11	Origin Signal Input

Enabling/Disabling the Origin Signal Input

You can disable the origin signal input by changing the settings of a parameter in the SERVOPACK. If the input is disabled, wiring the origin signal input is not required.

	Parameter	Meaning
PnBA4	b.□□□□ □□□□ 0□□□ □□□□	The origin signal input is disabled.
	b.□□□□ □□□□ 1□□□ □□□□	The origin signal input (HOME) is input from CN1-11. (Default setting)

Setting the Origin Signal Input Polarity

This parameter sets the polarity of the origin signal input that will be active.

	Parameter	Meaning
PnBA3	b.□□□□ □□□□ 0□□□ □□□□	The origin signal input is active while the external switch is open. (Default setting) With this setting, the position where the external switch changes from closed to open will be the origin.
	b.□□□□ □□□□ 1□□□ □□□□	The origin signal input is active while the external switch is closed. With this setting, the position where the external switch changes from open to closed will be the origin.

Setting the Origin Return Direction

The following parameter sets the origin return direction.

If the origin signal input is active when an origin return starts (i.e., if the machine is near the origin), the machine will first move in the opposite direction from the specified origin return direction. Then, when the origin signal input becomes inactive, the machine will move in the origin return direction and the origin return will be started.

Parameter		Meaning
PnB01	b.□□□□ □□□□ □□□□ □□□□0	Origin returns are performed in the forward direction.
	b.□□□□ □□□□ □□□□ □□□□1	Origin returns are performed in the reverse direction. (Default setting)

Setting the Origin Return Speeds

The following parameters set the speeds for origin returns.

The speed that is set for the Origin Return Approach Speed is used from the start of an origin return until the origin signal input or phase C of the encoder is detected. The speed that is set for the Origin Return Creep Speed is used from when the origin signal input or phase C of the encoder is detected to position to the origin.

Refer to the following section for details.

 13.3.3 Origin Returns on page 13-15

PnB03	Origin Approach Speed			
	Setting Range	Setting Unit	Default Setting	When Enabled
	1 to 115,343,500	1 reference unit/s	20,000	Immediately
PnB04	Origin Return Creep Speed			
	Setting Range	Setting Unit	Default Setting	When Enabled
	1 to 115,343,500	1 reference unit/s	10,000	Immediately

Final Travel Distance for Origin Return

The Final Travel Distance for Origin Return parameter sets the final origin position a certain distance away from the origin signal input or phase C of the encoder. For example, if reverse is the origin return direction and the Final Travel Distance for Origin Returns parameter is set to 100, the origin will be set to 100 reference units in the reverse direction from where the origin signal input was detected.

PnB05	Final Travel Distance for Origin Return			
	Setting Range	Setting Unit	Default Setting	When Enabled
	0 to 2,147,483,647	1 reference unit	0	Immediately

Origin Offset

If an absolute encoder is used, the offset from the origin of the encoder to the origin of the machine must be recorded in the SERVOPACK.

PnB09	Origin Offset			
	Setting Range	Setting Unit	Default Setting	When Enabled
	-2,147,483,647 to 2,147,483,647	1 reference unit	0	Immediately

12.2.3 Setting the Origin

There are the following two ways to set the origin when an absolute encoder is used.

Editing Parameters to Set Origin

Use the following procedure to set the origin by editing parameters.

1. Use continuous operation or other means to move the axis to the origin position of the machine.
2. Read the current position.
 - Read the current position from the response data.
 - Use an explicit message to read the Current Position attribute
3. Reverse the sign of the current position and write it to the parameter.
For example, if the current position is 1,000, write -1,000 to PnB09.
4. Reset the Module.
When the Module is reset, the data set in PnB09 will be written to nonvolatile memory in the SERVOPACK.

Using an Explicit Message to Set Origin

Use the following procedure to set the origin with an explicit message.

1. Use continuous operation or other means to move the axis to the origin position of the machine.
2. Write a value to attribute 17 of object 0x24.
It does not matter what value is used. The offset amount will be calculated in the SERVOPACK and written to PnB09.
3. Reset the Module.
When the Module is reset, the data set in PnB09 will be written to nonvolatile memory in the SERVOPACK.

12.3 Positioning

12.3.1 Acceleration/Deceleration Patterns

The following acceleration/deceleration patterns can be achieved by combining acceleration/deceleration types with filter selections.

Parameter		Acceleration/Deceleration Type (PnB26)		
		0000 hex: None.	0001 hex: Symmetric Linear	0003 hex: Asymmetric Linear
Filter Selection (PnB29)	0000 hex: None.	No acceleration/deceleration	Symmetric linear acceleration/deceleration Constant acceleration/deceleration rates*1	Asymmetric linear acceleration/deceleration Constant acceleration/deceleration rates*1
	0001 hex: Exponential acceleration/deceleration	Exponential acceleration/deceleration Constant acceleration/deceleration times*2	–	–
	0002 hex: Exponential acceleration/deceleration with bias	Exponential acceleration/deceleration with bias Constant acceleration/deceleration times*2	–	–
	0003 hex: Moving average	Symmetric linear acceleration/deceleration Constant acceleration/deceleration times*2	Symmetric S-curve acceleration/deceleration Constant acceleration/deceleration rates*1	Asymmetric S-curve acceleration/deceleration Constant acceleration/deceleration rates*1

*1. "Constant acceleration/deceleration rates" indicates that the rate of acceleration and deceleration will be constant. If the feed speed is changed, the time that is required for acceleration/deceleration will change.

*2. "Constant acceleration/deceleration times" indicates that even if the feed speed is changed, the time that is required for acceleration/deceleration will not change and the acceleration/deceleration rates will change.

Note: Any combination that is not shown above must not be used because acceleration/deceleration will not be performed correctly.

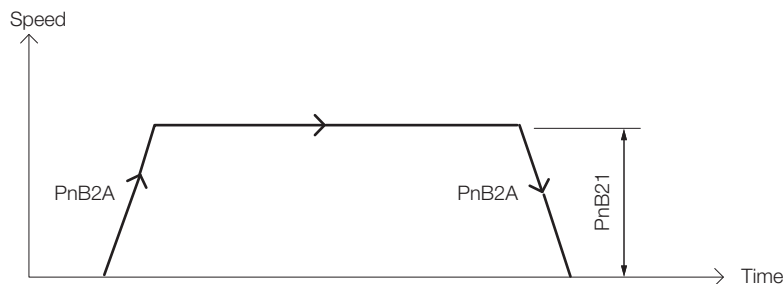
Symmetric Linear Acceleration/Deceleration (Constant Acceleration/Deceleration Rates)

With symmetric linear acceleration/deceleration, the acceleration/deceleration rates are determined by the Acceleration Rate parameter.

The time T that is required during a positioning operation for the reference to reach the feed speed in PnB21 is calculated as follows:

$$T [s] = \frac{\text{Feed Speed (PnB21)}}{\text{Acceleration Rate (PnB2A)}}$$

If this acceleration/deceleration pattern is used, the acceleration/deceleration rates will remain constant even if the feed speed in PnB21 is changed.



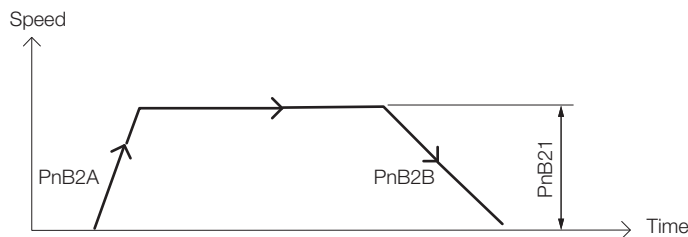
Asymmetric Linear Acceleration/Deceleration (Constant Acceleration/Deceleration Rates)

With asymmetric linear acceleration/deceleration, the acceleration and deceleration rates can be set separately.

For example, for the deceleration rate, the time T that is required to stop during a positioning operation from when the reference is at the feed speed set in PnB21 can be calculated as follows:

$$T [s] = \frac{\text{Feed Speed (PnB21)}}{\text{Deceleration Rate (PnB2B)}}$$

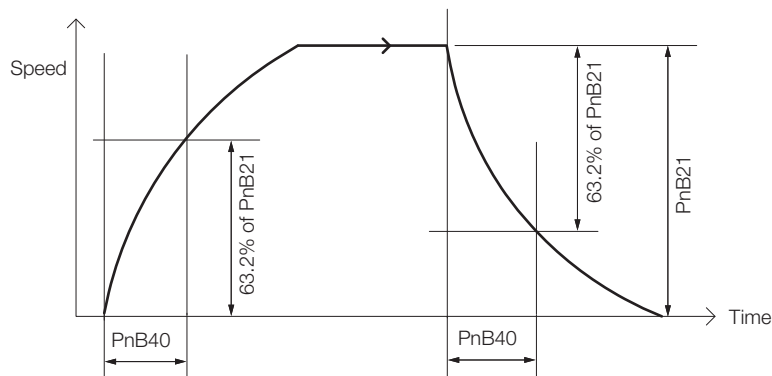
If this acceleration/deceleration pattern is used, the acceleration/deceleration rates will remain constant even if the feed speed is changed.



Exponential Acceleration/Deceleration (Constant Acceleration/Deceleration Times)

With exponential acceleration/deceleration, the acceleration/deceleration rates are determined by two parameters, PnB21 (Feed Speed) and PnB40 (Time Constant for Exponential Acceleration/Deceleration). For PnB40 (Time Constant for Exponential Acceleration/Deceleration), set the time that is required to reach 63.2% of the feed speed set in PnB21. The acceleration/deceleration time will be approx. 3.91 times the value of PnB40 in milliseconds.

If this acceleration/deceleration pattern is used, the acceleration/deceleration times will remain constant even if the feed speed in PnB21 is changed.



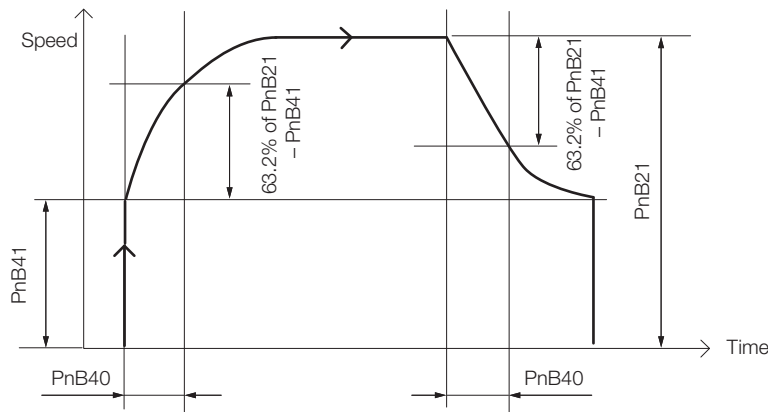
Exponential Acceleration/Deceleration with Bias (Constant Acceleration/Deceleration Times)

For exponential acceleration/deceleration with a bias, a bias is applied to the acceleration rate and deceleration rate. Set the time that is required for the feed speed to reach the following speed set in PnB40 (Time Constant for Exponential Acceleration/Deceleration).

$$\text{Feed speed} = \text{PnB41 (Exponential Acceleration/Deceleration Bias Speed)} + (\text{PnB21 (Feed Speed)} - \text{PnB41 (Exponential Acceleration/Deceleration Bias Speed)}) \times 0.632$$

The acceleration/deceleration time will be approx. 3.91 times the value of PnB40 in milliseconds.

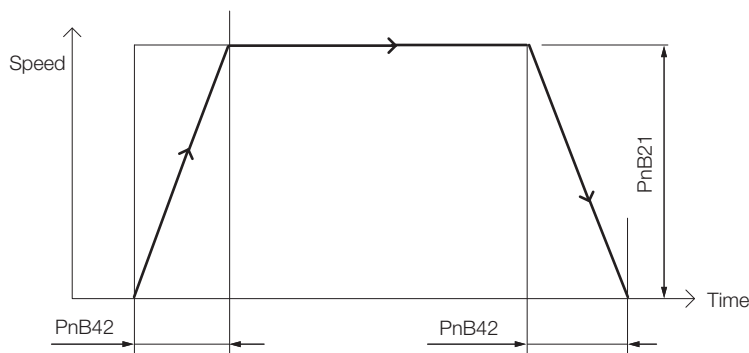
If this acceleration/deceleration pattern is used, the acceleration/deceleration times will remain constant even if the feed speed is changed. If the Exponential Acceleration/Deceleration Bias Speed parameter is set to 0, the operation will be exactly the same as for *Exponential Acceleration/Deceleration (Constant Acceleration/Deceleration Times)*.



Symmetric Linear Acceleration/Deceleration (Constant Acceleration/Deceleration Times)

With symmetric linear acceleration/deceleration, the acceleration/deceleration rates are determined by two parameters, PnB21 (Feed Speed) and PnB42 (Average Movement Time Filter Time Constant).

If this acceleration/deceleration pattern is used, the acceleration/deceleration times will remain constant even if the feed speed in PnB21 is changed.



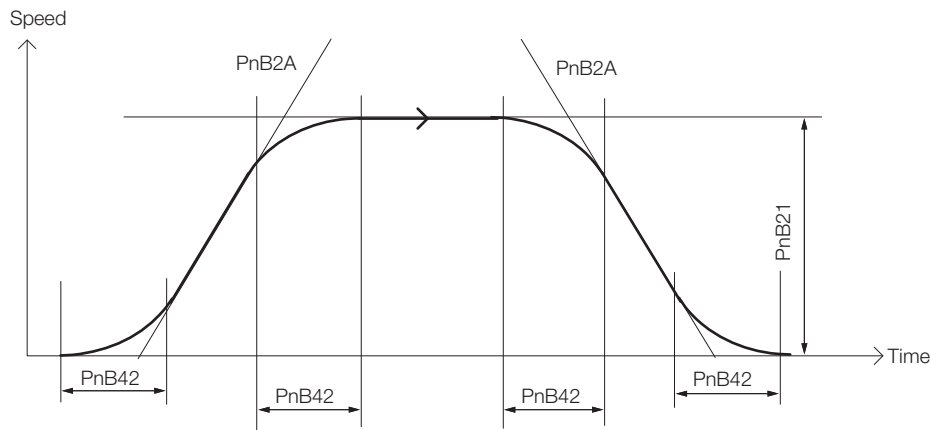
Symmetric S-Curve Acceleration/Deceleration (Constant Acceleration/Deceleration Rates)

First, symmetric S-curve acceleration/deceleration is the same as symmetric linear acceleration/deceleration in that the acceleration and deceleration rates are both determined by PnB2A (Acceleration Rate). With an S-curve pattern, however, the corners when starting and just before and after the feed speed set in PnB21 are rounded by using a filter. Set the time for rounding off the corners in PnB42 (Average Movement Time Filter Time Constant).

The time T that is required during a positioning operation for the reference to reach the feed speed in PnB21 is calculated as follows:

$$T \text{ [ms]} = \text{PnB42} + \left(\frac{\text{PnB21}}{\text{PnB2A}} \right) \times 1,000$$

If this acceleration/deceleration pattern is used, the acceleration/deceleration rates will remain constant even if the feed speed is changed.



Asymmetric S-Curve Acceleration/Deceleration (Constant Acceleration/Deceleration Rates)

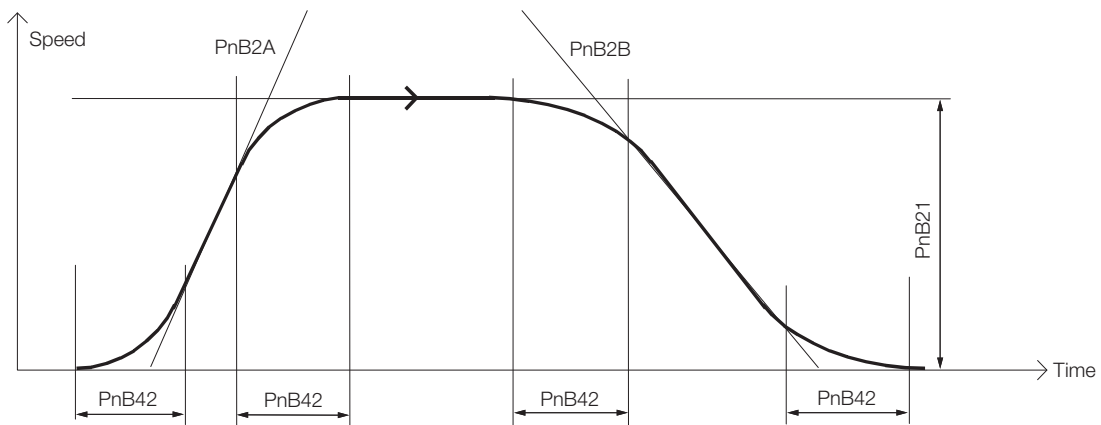
With Asymmetric S-Curve Acceleration/Deceleration, the operation is the same as for symmetric S-curve acceleration/deceleration except that the acceleration and deceleration rates can be set separately.

First, the operation is the same as for asymmetric linear acceleration/deceleration in that the acceleration and deceleration rates are created from PnB2A (Acceleration Rate) and PnB2B (Deceleration Rate). With an S-curve pattern, however, the corners when starting and completing positioning and just before and after the feed speed set in PnB21 are rounded by using a filter. Set the time for rounding off the corners in PnB42 (Average Movement Time Filter Time Constant).

The time T that is required during a positioning operation for the reference to reach the feed speed in PnB21 is calculated as follows:

$$T \text{ [ms]} = PnB42 + \left(\frac{PnB21}{PnB2A} \right) \times 1000$$

If this acceleration/deceleration pattern is used, the acceleration/deceleration rates will remain constant even if the feed speed is changed.



12.3.2 Parameter Settings

Feed Speed

This parameter sets the feed speed to use for positioning. You can change the setting of this parameter with a command message.

PnB21	Feed Speed			
	Setting Range	Setting Unit	Default Setting	When Enabled
	1 to 115,343,500	1 reference unit/s	400,000	Immediately

Setting the Acceleration/Deceleration Pattern

The acceleration/deceleration pattern is set in PnB26 (Acceleration/Deceleration Type) and PnB29 (Filter Selection).

Parameter	Meaning	
PnB26	0000 hex	No acceleration/deceleration
	0001 hex	Symmetrical linear acceleration/deceleration
	0003 hex	Asymmetrical linear acceleration/deceleration (Default setting)
PnB29	0000 hex	No filter (Default setting)
	0001 hex	Exponential filter
	0002 hex	Exponential filter with bias
	0003 hex	Average movement time filter

The relationship between PnB26 (Acceleration/Deceleration Type) and PnB29 (Filter Selection) when editing the Profile Type in object 0x25 via DeviceNet is shown in the following table.

Profile Type	Acceleration/Deceleration Pattern	PnB26	PnB29
0	Asymmetric linear acceleration/deceleration (constant acceleration/deceleration rates)	0003 hex	0000 hex
1	Asymmetric S-curve acceleration/deceleration (constant acceleration/deceleration rates)	0003 hex	0003 hex
2	Exponential acceleration/deceleration (constant acceleration/deceleration times)	0000 hex	0001 hex
240	Symmetric linear acceleration/deceleration (constant acceleration/deceleration rates)	0001 hex	0000 hex
242	Exponential acceleration/deceleration with bias (constant acceleration/deceleration times)	0000 hex	0002 hex
243	Symmetric linear acceleration/deceleration (constant acceleration/deceleration times)	0000 hex	0003 hex
244	Symmetric S-curve acceleration/deceleration (constant acceleration/deceleration rates)	0001 hex	0003 hex
245	No acceleration/deceleration	0000 hex	0000 hex

Setting the Acceleration Rate and Deceleration Rate

These parameters set the acceleration and deceleration rates that are used for positioning, origin returns, and continuous operation.

PnB2A	Acceleration Rate			
	Setting Range	Setting Unit	Default Setting	When Enabled
	15,625 to 2,047,968,750	1 reference unit/s ²	4,000,000	Immediately
PnB2B	Deceleration Rate			
	Setting Range	Setting Unit	Default Setting	When Enabled
	15,625 to 2,047,968,750	1 reference unit/s ²	4,000,000	Immediately

Setting the Exponential Acceleration/Deceleration Rate

This parameter sets the time constant for the exponential acceleration/deceleration filter when exponential acceleration/deceleration is used.

PnB40	Time Constant for Exponential Acceleration/Deceleration			
	Setting Range	Setting Unit	Default Setting	When Enabled
	4 to 1,000	1 ms	4	Immediately

This parameter sets the bias speed when exponential acceleration/deceleration with a bias is used.

PnB41	Exponential Acceleration/Deceleration Bias Speed			
	Setting Range	Setting Unit	Default Setting	When Enabled
	0 to 115,343,500	1 reference unit/s	0	Immediately

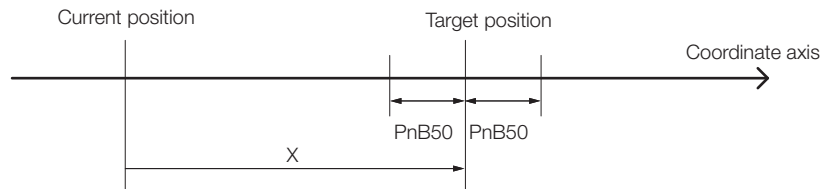
Setting the Average Movement Time Filter

This parameter sets the time constant for the average movement time filter when S-curve acceleration/deceleration or linear acceleration/deceleration with constant acceleration/deceleration times is used.

PnB42	Average Movement Time Filter Time Constant			
	Setting Range	Setting Unit	Default Setting	When Enabled
	4 to 4,000	1 ms	25	Immediately

Setting a Positioning Completed Check

This parameter sets the positioning completed width that is used after starting positioning to determine when positioning has been completed. If the positioning completed width is set to 0, a check for the completion of positioning will not be performed. Also, the On Target Position bit in the response message for I/O communications will not change to 1.



Positioning will be considered to be completed in the above diagram when the following condition has been met. When this occurs, the On Target Position bit in the response message for I/O communications will change to 1.

$$X = (\text{Target position} - \text{Current position}) \leq \text{PnB50}$$

PnB50	Positioning Completed Width			
	Setting Range	Setting Unit	Default Setting	When Enabled
	0 to 255	1 reference unit	5	Immediately

There is also a function that monitors the time from the completion of distribution of the movement reference to the SERVOPACK until the completion of positioning. If the positioning completed width set in PnB50 is not entered within the time that is set in PnB51 (Positioning Completion Timeout Time) after distribution of the movement reference has been completed, an A.A90 warning will occur. If this parameter is set to 0, the check time will be infinitely long.

PnB51	Positioning Completion Timeout Time			
	Setting Range	Setting Unit	Default Setting	When Enabled
	0 to 65,535	1 ms	0	Immediately

12.4 Positioning after Continuous Operation

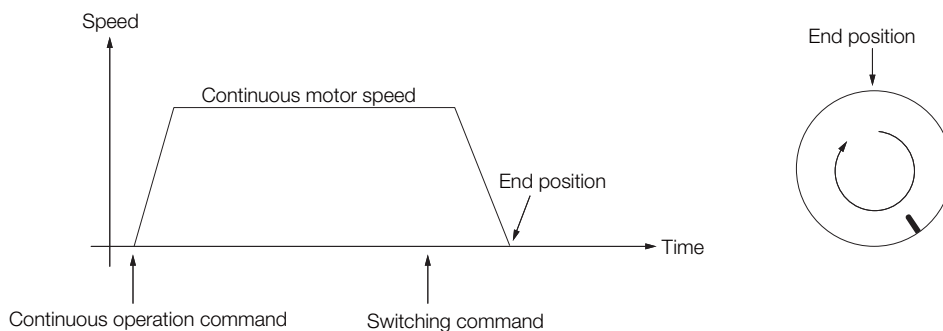
12.4.1 Positioning Patterns after Continuous Operation

When the SERVOPACK receives a command to switch to positioning during continuous operation, the following three types of positioning can be performed depending on the parameter settings. These positioning patterns can be used when a rotary coordinate system is specified.

- Direct positioning
- Positioning in specified rotation direction
- Positioning by the near course

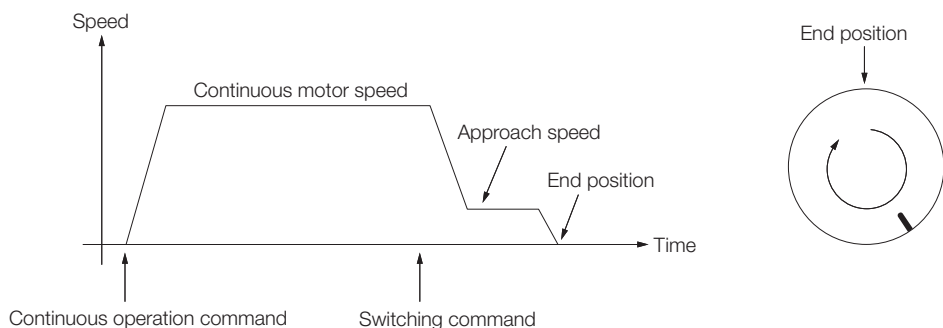
Direct Positioning

For direct positioning, the motor rotates in the direction that was specified for continuous operation until a switching command is received. After receiving the switching command, the motor starts positioning and moves to the end position. In this mode, the motor rotates only in the direction that was specified for continuous operation. Also, the approach speed is not used and positioning is performed at the high speed.



Positioning in Specified Rotation Direction

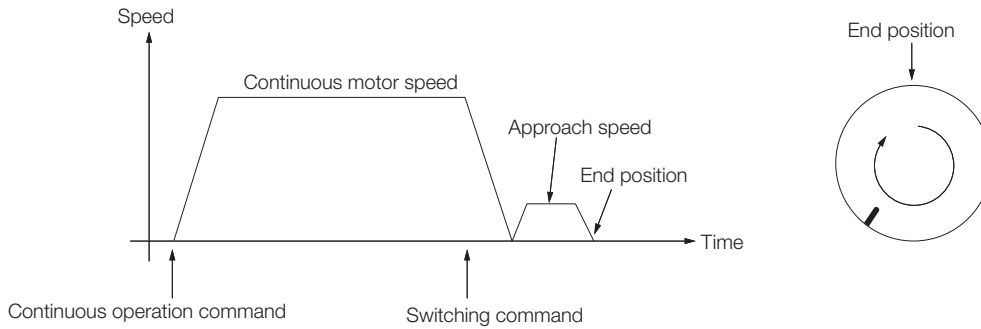
For positioning in the specified rotation direction, the motor rotates in the direction that was specified for continuous operation until a switching command is received. After receiving a switching command, the motor decelerates to the approach speed and stops at the end position. In this mode, the motor rotates only in the direction that was specified for continuous operation.



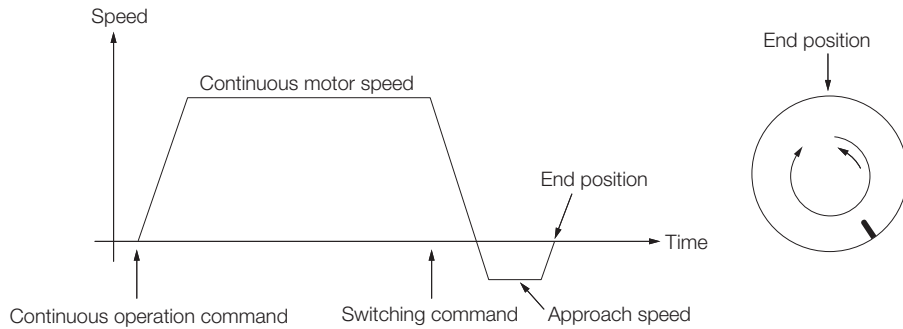
Positioning by the Near Course

For positioning by the near course, the motor rotates in the direction that was specified for continuous operation until a switching command is received. After a switching command is received, the motor decelerates to a stop. Then the SERVOPACK positions the motor to the end position in the nearest direction.

◆ Positioning in the Specified Rotation Direction



◆ Positioning in the Reverse Direction



12.4.2 Parameter Settings

Setting the Coordinate System

To perform positioning after continuous operation, the Coordinate Type Selection and Reference Units per Machine Revolution parameters must be set correctly.

Approach Speed

If PnB59 (Approach Mode) is set to 1 or 2, the approach speed must be set to perform positioning after continuous operation. The approach speed is the positioning speed that is used to position to the end position after stopping continuous operation.

PnB54	Positioning Approach Speed			
	Setting Range	Setting Unit	Default Setting	When Enabled
	1 to 115,343,500	1 reference unit/s	400,000	Immediately

End Position

This parameter sets the target position for positioning when positioning after continuous operation. If bit 15 in PnBA5 (Action Definition Settings) is set to 1, the target position is set in the command message and the Target Position parameter does not need to be set.

If the setting exceeds the value that is set for the Reference Units per Machine Revolution parameter, correct operation will not be possible.

PnB55	End Position			
	Setting Range	Setting Unit	Default Setting	When Enabled
	0 to 2,147,483,647	1 reference unit	0	Immediately

Approach Mode

This parameter sets the positioning pattern to move to the end position when positioning after continuous operation.

Parameter	Meaning	
PnB59	0000 hex	Direct positioning
	0001 hex	Positioning in specified rotation direction
	0002 hex	Positioning by the near course

12.5 Special Functions

12.5.1 Action Definition Settings

The action definition settings define the operation of the SERVOPACK.

Automatic Execution for Module Reset

You can specify whether to automatically reset the SERVOPACK after attribute 24 (Reference Direction) of object 0x25 is changed. This is defined with bit 11 of PnBA5.

Parameter		Meaning
PnBA5	b.□□□□ 0□□□ □□□□ □□□□	Do not automatically reset the SERVOPACK. (Default setting)
	b.□□□□ 1□□□ □□□□ □□□□	Automatically reset the SERVOPACK when attribute is changed.

Command Error Clear Method

You can define the timing for clearing command errors that have occurred. This is defined with bit 12 of PnBA5.

Parameter		Meaning
PnBA5	b.□□□□ 0 □□□□ □□□□ □□□□	Clear the error when the Valid Data bit changes to 0 in the command message. (Default setting)
	b.□□□□ 1 □□□□ □□□□ □□□□	Clear the error when the data in the command message becomes normal.

Main Circuit Power Supply Error Mask

You can mask warnings for main circuit power supply errors. This is defined with bit 13 of PnBA5.

Parameter		Meaning
PnBA5	b.□□□□ □□□□ □□□□ □□□□	Detect main circuit power supply errors. (Default setting)
	b.□□1□ □□□□ □□□□ □□□□	Do not detect main circuit power supply errors.

Main Circuit/Control Power Supply Alarm Clearing Method

You can define the method for clearing warnings when main circuit or control power supply errors occur in the SERVOPACK. This is defined with bit 14 of PnBA5.

Parameter		Meaning
PnBA5	b.□0□□ □□□□ □□□□ □□□□	Use the Alarm Clear command. (Default setting)
	b.□1□□ □□□□ □□□□ □□□□	Automatically clear warnings when the power supply recovers.

Positioning Command Method after Continuous Operation

You can define the command to use to perform positioning after continuous operation. This is defined with bit 15 of PnBA5.

Parameter		Meaning
PnBA5	b.0□□□ □□□□ □□□□ □□□□	Use a positioning reference. (Default setting)
	b.1□□□ □□□□ □□□□ □□□□	Use a switching command.

12.5.2 Initialization Functions


Resetting the Absolute Encoder

You can reset the absolute encoder via DeviceNet without using a Digital Operator. This is set with bit 0 of PnBA7.

	Parameter	Meaning
PnBA7	b.□□□□ □□□□ □□□□ □□□0	Reset the absolute encoder. (Default setting)
	b.□□□□ □□□□ □□□□ □□□1	Do not reset the absolute encoder.

If PnBA7 is set to reset the absolute encoder as shown above and then the SERVOPACK module is reset, the absolute encoder that is connected to the SERVOPACK will also be reset.

Refer to the following section for a detailed operating procedure for resetting the Module.

 13.5.3 Executing a Module Reset on page 13-33

Parameter Initialization

You can initialize the parameters via DeviceNet. This is set with bit 1 of PnBA7.

	Parameter	Meaning
PnBA7	b.□□□□ □□□□ □□□□ □□□□	Initialize the parameters. (Default setting)
	b.□□□□ □□□□ □□□□ □□□1	Do not initialize the parameters.

If PnBA7 is set to initialize the parameters as shown above and then the SERVOPACK module is reset, the parameters will be initialized to the values that are stored in the SERVOPACK.

Refer to the following section for a detailed operating procedure for resetting the Module.

 13.5.3 Executing a Module Reset on page 13-33

Restrictions

Parameter initialization and absolute encoder reset cannot be executed at the same time. Parameter initialization is given priority.

DeviceNet Communications

13

This chapter provides details on DeviceNet communications.

13.1 DeviceNet Communications Settings 13-3

- 13.1.1 Setting the Node Address 13-3
- 13.1.2 Setting the Baud Rate 13-4

13.2 Communications Methods 13-5

- 13.2.1 I/O Communications 13-5
- 13.2.2 Explicit Message Communications 13-11

13.3 Controlling Operation from the Host Controller .. 13-13

- 13.3.1 Positioning 13-13
- 13.3.2 Continuous Operation 13-14
- 13.3.3 Origin Returns 13-15
- 13.3.4 Switching to Positioning 13-18
- 13.3.5 Hard Stop Operation 13-20
- 13.3.6 Smooth Stop Operation 13-21
- 13.3.7 External Stop Operation 13-21
- 13.3.8 Hardware Limit Operation 13-22
- 13.3.9 Software Limit Operation 13-22

13.4 Programmed Operation 13-23

- 13.4.1 What Is Programmed Operation? 13-23
- 13.4.2 Command Blocks 13-23
- 13.4.3 Block Command Details 13-24
- 13.4.4 Command Block Links 13-28
- 13.4.5 Creating and Changing Command Blocks . . . 13-28
- 13.4.6 Starting Programmed Operation 13-30

13.5 Reading and Changing Attributes 13-31

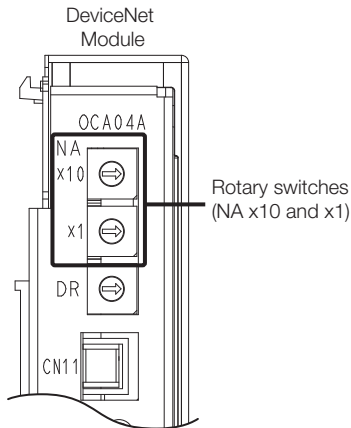
- 13.5.1 DeviceNet Data Management13-31
- 13.5.2 Reading and Changing Attributes13-32
- 13.5.3 Executing a Module Reset13-33

13.1 DeviceNet Communications Settings

This section describes the switch settings and indicator operation for DeviceNet communications.

13.1.1 Setting the Node Address

Use the NA rotary switches (x1 and x10) on the front panel of the DeviceNet Module to set the DeviceNet node address.



The node address can be set to between 0 and 63. If you make a setting outside this range, a setting error will occur.

Use the following table to set the node address on the switches on the DeviceNet Module.

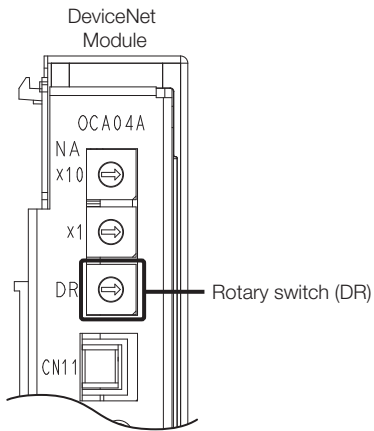
Rotary Switch Setting (NA)		Node Address	Rotary Switch Setting (NA)		Node Address	Rotary Switch Setting (NA)		Node Address	Rotary Switch Setting (NA)		Node Address	Rotary Switch Setting (NA)		Node Address
x10	x1		x10	x1		x10	x1		x10	x1		x10	x1	
0	0	0	2	0	20	4	0	40	6	0	60	8	0	Setting error
0	1	1	2	1	21	4	1	41	6	1	61	8	1	Setting error
0	2	2	2	2	22	4	2	42	6	2	62	8	2	Setting error
0	3	3	2	3	23	4	3	43	6	3	63	8	3	Setting error
0	4	4	2	4	24	4	4	44	6	4	Setting error	8	4	Setting error
0	5	5	2	5	25	4	5	45	6	5	Setting error	8	5	Setting error
0	6	6	2	6	26	4	6	46	6	6	Setting error	8	6	Setting error
0	7	7	2	7	27	4	7	47	6	7	Setting error	8	7	Setting error
0	8	8	2	8	28	4	8	48	6	8	Setting error	8	8	Setting error
0	9	9	2	9	29	4	9	49	6	9	Setting error	8	9	Setting error
1	0	10	3	0	30	5	0	50	7	0	Setting error	9	0	Setting error
1	1	11	3	1	31	5	1	51	7	1	Setting error	9	1	Setting error
1	2	12	3	2	32	5	2	52	7	2	Setting error	9	2	Setting error
1	3	13	3	3	33	5	3	53	7	3	Setting error	9	3	Setting error
1	4	14	3	4	34	5	4	54	7	4	Setting error	9	4	Setting error
1	5	15	3	5	35	5	5	55	7	5	Setting error	9	5	Setting error
1	6	16	3	6	36	5	6	56	7	6	Setting error	9	6	Setting error
1	7	17	3	7	37	5	7	57	7	7	Setting error	9	7	Setting error
1	8	18	3	8	38	5	8	58	7	8	Setting error	9	8	Setting error
1	9	19	3	9	39	5	9	59	7	9	Setting error	9	9	Setting error



To enable the new setting, turn the power supply to the SERVOPACK OFF and ON again after you change the setting.

13.1.2 Setting the Baud Rate

Use the DR rotary switch on the front panel of the DeviceNet Module to set the DeviceNet baud rate.



Rotary Switch Setting (DR)	Baud Rate Setting
0	125 kbps
1	250 kbps
2	500 kbps
3 to 9	Setting error



Important

To enable the new setting, turn the power supply to the SERVOPACK OFF and ON again after you change the setting.

13.2 Communications Methods

The DeviceNet Module supports two types of communications: I/O communications and explicit message communications.

13.2.1 I/O Communications

This section describes the command messages that are sent from the master device to the SERVOPACK and the response messages that are returned by the SERVOPACK. These are required for I/O communications.

Command Format

The following table gives the data format of the command messages sent to the SERVOPACK from the master device. Command messages consist of 8 bytes. Bytes 0 to 3 have the same format for all commands. Byte 0 contains command bits. Bytes 4 to 7 store data that depends on the command assembly code in byte 2.

Bytes	Bit 7	Bit 6	Bit 5	Bit 4	Bit 3	Bit 2	Bit 1	Bit 0
0	Enable	Valid Data	Hard Stop	Smooth Stop	Direction (V mode)	Absolute/Incremental	Start Block	Start Trajectory
1	Block Number							
2	Axis Instance			Command Assembly Code				
3	Axis Instance			Response Assembly Code				
4	Data Low Byte							
5	Data Low Middle Byte							
6	Data High Middle Byte							
7	Data High Byte							

◆ Start Trajectory

Use the Start Trajectory bit to start a move operation. A move operation starts when this bit changes from 0 to 1 for any of the following command assembly codes.

Command Assembly Code	Command Data	Operation
0x01	Target position	Positioning
0x11	Continuous motor speed	Continuous operation
0x12	Origin return type	Origin return
0x1E	Alarm clear	Alarm clear
0x1F	(Switch to positioning)*	Switch to positioning

* The value of PnB55 is the end position.


The SERVOPACK detects when this bit is set to 1. The operation will continue even if it is cleared to 0 during axis travel.

To stop the move operation before it is completed, set the Smooth Stop bit or the Hard Stop bit to 1.

◆ Start Block

Use the Start Block bit to start the execution of command blocks stored in the SERVOPACK. You can change this bit from 0 to 1 to execute the commands in the command blocks that have been registered in advance. If this bit is cleared from 1 to 0 during execution of the command blocks, execution of the command blocks will be stopped.

Refer to the following section for details on the command blocks.

 13.4.2 Command Blocks on page 13-23

◆ **Absolute/Incremental**

Use the Absolute/Incremental bit to specify whether the target position data that is stored in bytes 4 to 7 specifies an absolute position or an incremental position. This data is enabled when the Start Trajectory bit changes from 0 to 1.

- 0: Absolute position
- 1: Incremental position

◆ **Direction**

The Direction bit specifies the rotation direction for continuous operation. This bit is valid only when the command assembly code is 0x11 (continuous motor speed).

- 0: Negative direction
- 1: Positive direction

◆ **Smooth Stop**

Change this bit from 0 to 1 to stop travel at the current acceleration/deceleration type and deceleration rate settings. The Valid Data bit does not affect this command bit.

◆ **Hard Stop**

Change this bit from 0 to 1 to stop travel at the maximum deceleration rate. The Valid Data bit does not affect this command bit.

◆ **Valid Data**

The SERVOPACK refreshes the command assembly code, response assembly code, and command data that are received only while the Valid Data bit is set to 1. The Enable, Smooth Stop, and Hard Stop bits in byte 0 are refreshed regardless of the status of the Valid Data bit.

- 0: Data is not valid
- 1: Data is valid

If the Valid Data bit is changed to 0 in a command message when there is a command error, the Command Error bit in the response message will be cleared to 0.

◆ **Enable**

The Enable bit controls turning the servo ON and OFF. This bit is level triggered. It must remain set to 1 whenever the servo is to be ON. Also, if the External Stop command is cleared while the Enable bit is set to 1, the servo will turn ON immediately.

- 0: Servo OFF
- 1: Servo ON

◆ **Block Number**

Set the Block Number Field to the block number from which to start the command blocks.

◆ **Axis Instance**

Set the Axis Instance Field to the axis number. Always set the Axis Instance Field to 1. A command error will occur for any other value.

◆ **Command Assembly Code**

The command assembly code defines the command data in bytes 4 to 7.

Command Assembly Code	Command Data	Data Types
0x00	NOP	-
0x01	Target position (reference units)	DINT
0x02	Target speed (reference unit/s)	DINT
0x03	Acceleration rate (reference units/s ²)	DINT

Continued on next page.

Continued from previous page.

Command Assembly Code	Command Data	Data Types
0x04	Deceleration rate (reference units/s ²)	DINT
0x05 to 0x10	Reserved.	–
0x11	Continuous motor speed (reference unit/s)	DINT
0x12	Origin return type	USINT
0x13 to 0x1D	Reserved.	–
0x1E	Alarm clear	BOOL
0x1F	Switch to positioning*	DINT

* The value of PnB55 is the end position.

◆ Response Assembly Code

The response assembly code specifies the response data that is in the response message, such as the current position or the current speed.

Response Assembly Code	Response Data	Data Type
0x00	NOP	–
0x01	Current position (reference units)	DINT
0x02	Reference position (reference units)	DINT
0x03	Current speed (reference unit/s)	DINT
0x04	Reserved.	–
0x05	Torque monitor (%)	DINT
0x06 to 0x1D	Reserved.	–
0x1E	Alarm code	DINT
0x1F	Reserved.	–

◆ Command Data

Set the command data to the data that is defined for the command assembly code.

Command Data Specifications

◆ NOP (Command Assembly Code = 0x00)

The command data has no meaning for this code.

◆ Target Position (Command Assembly Code = 0x01)


Set the command data to the target position in reference units. This data is enabled when the Valid Data bit is set to 1.

Positioning starts when the Start Trajectory bit is set to 1 after the target position is set. The data and the bit can also be set at the same time.

The handling of the target position depends on the Absolute/Incremental bit, as shown below.

- Absolute/Incremental bit = 0 (Absolute Position)
If the current position is +200 and the command data is +300, the target position will be +300.
- Absolute/Incremental bit = 1 (Relative Position)
If the current position is +200 and the command data is +300, the target position will be +500.

Refer to the following section for information on positioning.

 13.3.1 Positioning on page 13-13

◆ **Target Speed (Command Assembly Code = 0x02)**

Set the command data to the target speed for positioning. This data is enabled when the Valid Data bit is set to 1. Make sure that this data is always a positive value. Set the speed in reference units/s.

◆ **Acceleration Rate (Command Assembly Code = 0x03)**

Set the command data to the acceleration rate for positioning, continuous operation, and origin returns. This data is enabled when the Valid Data bit is set to 1. Make sure that this data is always a positive value. Set the acceleration rate in reference units/s².

◆ **Deceleration Rate (Command Assembly Code = 0x04)**

Set the command data to the deceleration rate for positioning, continuous operation, and origin returns. This data is enabled when the Valid Data bit is set to 1. Make sure that this data is always a positive value. Set the deceleration rate in reference units/s².

◆ **Continuous Motor Speed (Command Assembly Code = 0x11)**

Set the command data to the target speed for continuous operation. This data is enabled when the Valid Data bit is set to 1. Make sure that this data is always a positive value. The direction of rotation is determined by the Direction bit. Set the speed in reference units/s.

Continuous operation starts when the Start Trajectory bit is set to 1 after the target position is set. The data and the bit can also be set at the same time.

Refer to the following section for information on continuous operation.

📖 13.3.2 Continuous Operation on page 13-14

◆ **Origin Return Type (Command Assembly Code = 0x12)**

Set the command data to the origin return type. This data is enabled when the Valid Data bit is set to 1. Continuous operation starts when the Start Trajectory bit is set to 1 after the target position is set. The data and the bit can also be set at the same time.

Refer to the following section for information on origin returns.

📖 13.3.3 Origin Returns on page 13-15

Bytes	Bit 7	Bit 6	Bit 5	Bit 4	Bit 3	Bit 2	Bit 1	Bit 0
4	Origin Return Type							
5	0x00							
6	0x00							
7	0x00							

◆ **Alarm Clear (Command Assembly Code = 0x1E)**

This command code clears SERVOPACK alarms. Set the Alarm Clear bit to 1 and then set the Valid Data bit to 1 and the Start Trajectory bit to 1. Any alarms in the SERVOPACK will be cleared when the Start Trajectory bit is set to 1.


Bytes	Bit 7	Bit 6	Bit 5	Bit 4	Bit 3	Bit 2	Bit 1	Bit 0
4	0	0	0	0	0	0	0	Alarm Clear
5	0x00							
6	0x00							
7	0x00							

◆ Switch to Positioning (Command Assembly Code = 0x1F)

This command code switches from continuous operation to positioning. This data is enabled when the Valid Data bit is set to 1. The end position in PnB55 is used as the target position. Set bytes 4 to 7 of the command data to 0x00.

This command is enabled only when the 15th bit of the action definition settings in PnBA5 is set to 1. If the 15th bit of PnBA5 is cleared to 0, sending a Positioning command during continuous operation will change to positioning operation. In that case, the target position is specified in the command data.

Refer to the following section for information on switching to positioning.

 13.3.4 Switching to Positioning on page 13-18

Response Format

This section describes the response messages from the SERVOPACK to the master device.

The following table gives the data format of the response messages that are sent from the SERVOPACK to the master device. A response message consists of 8 bytes. Bytes 0 to 3 have the same format for all commands that are sent from the master device. Byte 0 and byte 2 show the status of the SERVOPACK in bits. Bytes 4 to 7 store data that depends on the response assembly code in byte 3.

Bytes	Bit 7	Bit 6	Bit 5	Bit 4	Bit 3	Bit 2	Bit 1	Bit 0
0	Enable State	Valid Data	Home Flag	External Stop Input	Alarm	On Target Position	Block In Execution	Trajectory In Progress
1	Executing Block Number							
2	Command Error	Block Fault	Trajectory Start Echo	Negative Software Limit	Positive Software Limit	CCW Hardware Limit	CW Hardware Limit	Servo Ready
3	Axis Instance			Response Assembly Code				
4	Data Low Byte							
5	Data Low Middle Byte							
6	Data High Middle Byte							
7	Data High Byte							

◆ Trajectory In Progress

This bit is set to 1 during positioning, continuous operation, or origin returns. The Trajectory In Progress bit is set to 1 when operation starts after the Valid Data and the Start Trajectory bits are set to 1 in the data from the master device. The bit is cleared to 0 when the operation is completed.

◆ Block In Execution

This bit is set to 1 during the execution of block commands for the Start Block bit. It is cleared to 0 when the block commands have been completed or when block error occurs (as shown by the Block Fault bit).

◆ On Target Position

This bit is set to 1 when the current position is within the positioning completed width. The value of PnB50 (Positioning Completed Width) is used as the positioning completed width.

◆ Alarm

This bit is set to 1 if an alarm occurs in the SERVOPACK. Use the Alarm Clear command to clear the alarm.

◆ External Stop Input

This bit is used to monitor the external stop input signal of the SERVOPACK. This bit is set to 1 when the external stop input signal is active.

◆ Home Flag

This bit is used to monitor the origin signal input to the SERVOPACK. This bit is set to 1 when the current position is any position other than the origin. This bit is cleared to 0 when the current position is the origin.

◆ Valid Data

This bit is set to 1 after the Valid Data bit is set to 1 in a command message from the master device and the SERVOPACK has verified that the data in the command message from the master device was received normally. If the Valid Data bit in the command message is set to 1, the SERVOPACK will check the command data and if no problems are found, the Valid Data bit in the response message will be set to 1. If there is an error in the command data, the Command Error Flag will be set to 1 and the Valid Data bit will also be set to 1.

◆ Executing Block Number

This field contains the command block number (0 to 255) that is currently being executed. The Executing Block Number Field is cleared to 0 when the block commands have been completed or when a block error occurs (as shown by the Block Fault bit).

◆ Enable State

This bit is set to 1 when the servo is ON. If the servo is OFF in the SERVOPACK, the SERVOPACK will ignore the Start Trajectory bit even if it is set to 1 in a command message. Make sure that this bit is set to 1 before setting the Start Trajectory bit.

◆ Servo Ready

This bit is set to 1 when the SERVOPACK is ready and the servo can be turned ON.

◆ CW Hardware Limit

This bit monitors the CW Drive Prohibit Input signal (the clockwise limit signal, as viewed from the load end of the motor) that is connected to the SERVOPACK. It is set to 1 when the CW Drive Prohibit Input signal is active.

◆ CCW Hardware Limit

This bit monitors the CCW-OT (CCW Drive Prohibit Input) signal (the counterclockwise limit signal, as viewed from the load end of the motor) that is connected to the SERVOPACK. It is set to 1 when the CCW-OT (CCW Drive Prohibit Input) signal is active.

◆ Positive Software Limit

This bit changes to 1 if the forward software limit is exceeded. The forward software limit is set in PnB16 (Forward Software Limit).

◆ Negative Software Limit

This bit changes to 1 if the reverse software limit is exceeded. The reverse software limit is set in PnB17 (Reverse Software Limit).

◆ Trajectory Start Echo

This bit is set to 1 if a command message is normally received from the master device with the Start Trajectory bit set to 1. By checking this bit, the master device can check whether the SERVOPACK received the Start Trajectory bit status normally.

◆ Block Fault

This bit changes to 1 if an error occurs during a block operation. If an error occurs, the block operation will be stopped.

◆ Command Error


This bit changes to 1 if an error is found in the command data in a command message. The method to use to clear command errors depends on the setting of the 12th bit of the action definition settings in PnBA5.

- PnBA5 bit 12 = 0:
Clear the Valid Data bit in the command messages to 0.
- PnBA5 bit 12 = 1:
The command error is cleared automatically when the command data in the command message is corrected.

◆ Response Assembly Code

The response assembly code defines the response data in bytes 4 to 7.

Refer to the following section for details on the response assembly code.

 *Command Format* on page 13-5

◆ Axis Instance

The axis instance is always set to 1 (the axis number).

◆ Response Data

The response data is set to the data that is defined for the response assembly code.

13.2.2 Explicit Message Communications

This section describes messages that are used to read and change attributes. These are required for explicit message communications.

Command Format

The following table gives the command format for explicit messages.

7	6	5	4	3	2	1	0
0	0/1	MAC ID					
0	Service Code						
Class ID							
Instance ID							
Attribute ID							
Service Data							

◆ MAC ID

Specify the node address of the device to receive the message.

◆ Service Code

Specify the code of the requested service (edit, read, etc.).

◆ Class ID

Specify the class ID of the object from which to request the service.

◆ Instance ID

Specify the instance ID of the object from which to request the service.

◆ **Attribute ID**

Specify the attribute ID of the object from which to request the service.
 The following services of the Command Block objects (class ID = 0x27) do not have attribute IDs: Get_Attribute_All (service code = 0x01) and Set_Attribute_All (service code = 0x02).

◆ **Service Data**

Set the data that is required by the service, such as the data to write to the attribute of the object from which the service is being requested. Set the lower byte first.
 The service data depends on the service that is being requested.

Response Format

The following table gives the response format for explicit messages.

7	6	5	4	3	2	1	0
0	0/1	MAC ID					
1	Service Code						
Response Service Data							

◆ **MAC ID**

The node address of the device that sent the message is specified.

◆ **Service Code**

The code of the requested service (edit, read, etc.) is specified.

◆ **Response Service Data**

The data from the requested service, such as read data, is set with the lower bytes first and then the higher bytes.
 The response data depends on the service that was requested.

13.3 Controlling Operation from the Host Controller

This section describes the operation of the SERVOPACK for I/O communications from the host controller.

13.3.1 Positioning

Positioning can be performed to specified target positions. The procedure and an example operation are given below.

Using Commands

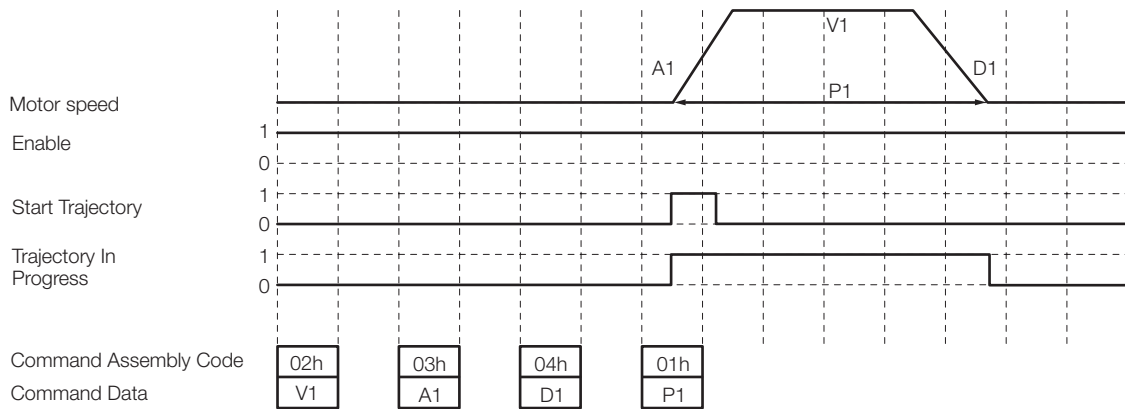
The command method and procedure for positioning are given below.

1. If it is necessary to change the current parameters, set the target speed, acceleration rate, deceleration rate, etc.
2. In the Absolute/Incremental bit in the command message, specify whether the target position is an absolute or relative position.
3. Set the command assembly code to 0x01 and set the target position in the command message.
4. Set the Valid Data bit to 1 in the command message, and then set the Start Trajectory bit to 1. You can set both the Valid Data bit and the Start Trajectory bit to 1 at the same time.
5. After positioning starts, the Trajectory In Progress bit in the response message is set to 1. It is then cleared to 0 after the reference pulses to the target position have all been distributed.

Positioning Operation Example

An example of a command message for positioning is given in the following table. In this example, an absolute position with a target position of 128,000 reference units (= 0x0001F400) is specified. The SERVOPACK assumes that the data, such as that for the target position, is valid when the Valid Data bit in the command message is set to 1. Therefore, set bytes 1 to 7 first, and then set byte 0.

Bytes	Bit 7	Bit 6	Bit 5	Bit 4	Bit 3	Bit 2	Bit 1	Bit 0
0	1 Enable	1 Valid Data	0 Hard Stop	0 Smooth Stop	0 Direction (V mode)	0 Absolute/ Incremental	0 Start Block	1 Start Trajectory
1	0x00 Block Number							
2	0x1 Axis Instance			0x01 Command Assembly Code				
3	0x1 Axis Instance			0x03 Response Assembly Code				
4	0x00 Target Position Low Byte							
5	0xF4 Target Position Low Middle Byte							
6	0x01 Target Position High Middle Byte							
7	0x00 Target Position High Byte							



- If an alarm occurs, the servo is OFF, or another operation command, such as one for continuous operation or an origin return, is being executed, the Positioning command will be ignored.
- Make sure that the Enable State bit in the response message is set to 1, and then set the Start Trajectory bit. If you set the Enable bit and the Start Trajectory bit at the same time, the Start Trajectory bit will be ignored.

13.3.2 Continuous Operation

This command performs continuous operation at a fixed speed. The procedure and an example operation are given below.

Using Commands


The command method and procedure for continuous operation are given below.

1. If it is necessary to change the current parameters, set the acceleration rate, deceleration rate, etc.
2. Set the Direction bit in the command message.
3. Set the command assembly code to 0x11 and set the continuous motor speed in the command message.
4. Set the Valid Data bit to 1 in the command message, and then set the Start Trajectory bit to 1. You can set both the Valid Data bit and the Start Trajectory bit to 1 at the same time.
5. After continuous operation starts, the Trajectory In Progress bit in the response message is set to 1.
6. You can change the continuous motor speed and rotation direction during continuous operation. To do so, change the Valid Data bit and Start Trajectory bit from 0 to 1.
7. To stop continuous operation, set the Smooth Stop bit or the Hard Stop bit to 1. You can also stop continuous operation by setting the continuous motor speed to 0.

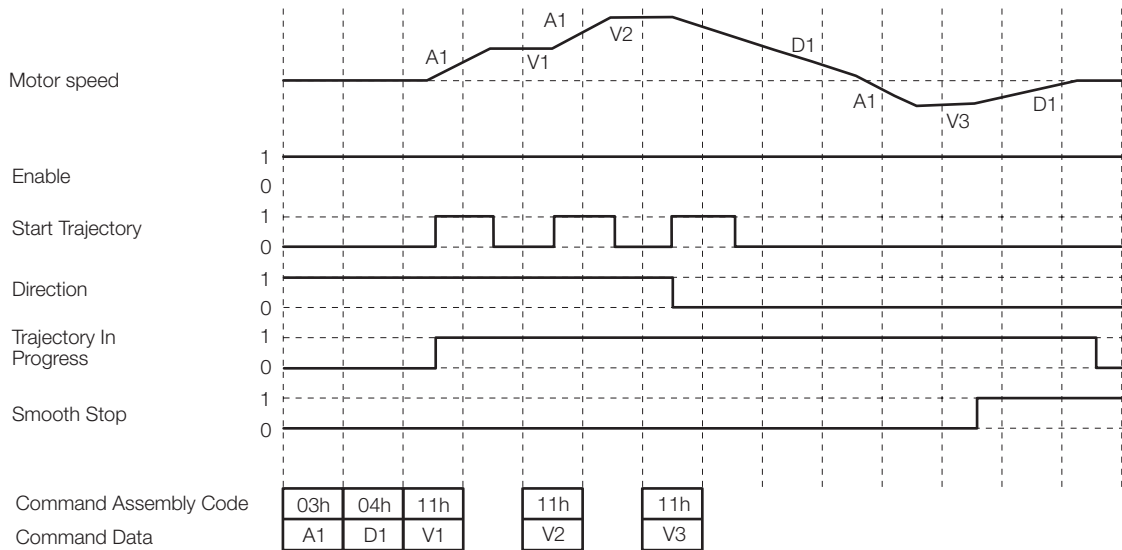
Continuous Operation Example

An example of a command message for continuous operation is given in the following table. In this example, forward rotation with a target speed of 8,000 reference units/s (= 0x00001F40) is specified. The SERVOPACK assumes that the data, such as that for the continuous motor speed, is valid when the Valid Data bit in the command message is set to 1. Therefore, set bytes 1 to 7 first, and then set byte 0.

Bytes	Bit 7	Bit 6	Bit 5	Bit 4	Bit 3	Bit 2	Bit 1	Bit 0
0	1 Enable	1 Valid Data	0 Hard Stop	0 Smooth Stop	1 Direction (V mode)	0 Absolute/Incremental	0 Start Block	1 Start Trajectory
1	0x00 Block Number							
2	0x1 Axis Instance				0x11 Command Assembly Code			
3	0x1 Axis Instance				0x03 Response Assembly Code			
4	0x40 Target Velocity Low Byte							
5	0x1F Target Velocity Low Middle Byte							
6	0x00 Target Velocity High Middle Byte							
7	0x00 Target Velocity High Byte							



- If an alarm occurs, the servo is OFF, or another operation command, such as positioning or an origin return, is being executed, the continuous operation command will be ignored.
- Make sure that the Enable State bit in the response message is set to 1, and then set the Start Trajectory bit. If you set the Enable bit and the Start Trajectory bit at the same time, the Start Trajectory bit will be ignored.



13.3.3 Origin Returns

The origin return operation returns the current position to the machine origin. Three types of origin returns are supported.

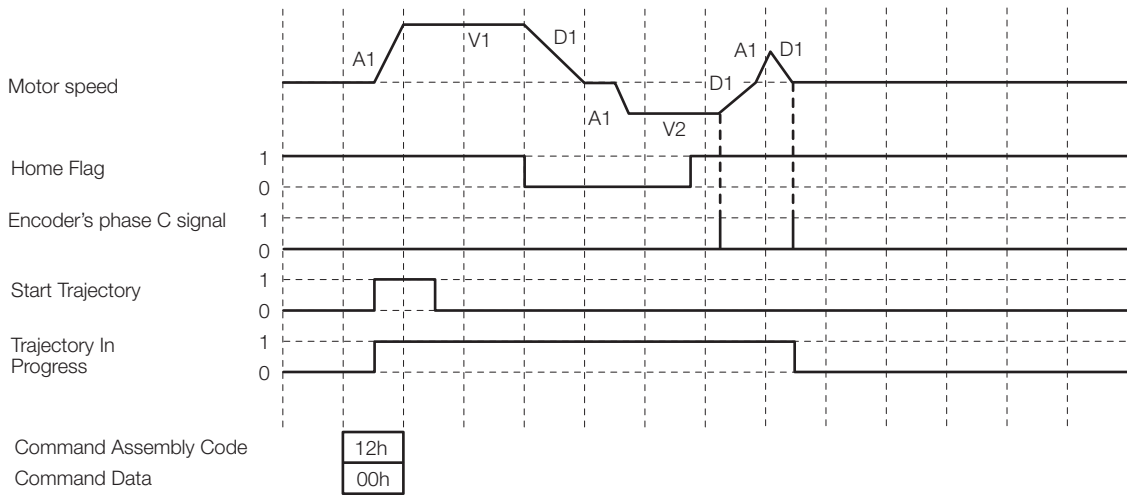
- Type 0: Operation Based on Home Flag and Encoder Phase C Detection
- Type 1: Operation Based on Only the Home Flag
- Type 3: Operation Based on Only Encoder Phase C Detection

Type 0

Origin returns are based on the Home Flag and the detection of phase C of the encoder.

1. The axis travels at the origin approach speed in the specified origin return direction.
2. When the status of the Home Flag changes, the axis will change the direction. The axis will then travel at the origin return creep speed until the status of the Home Flag changes again.

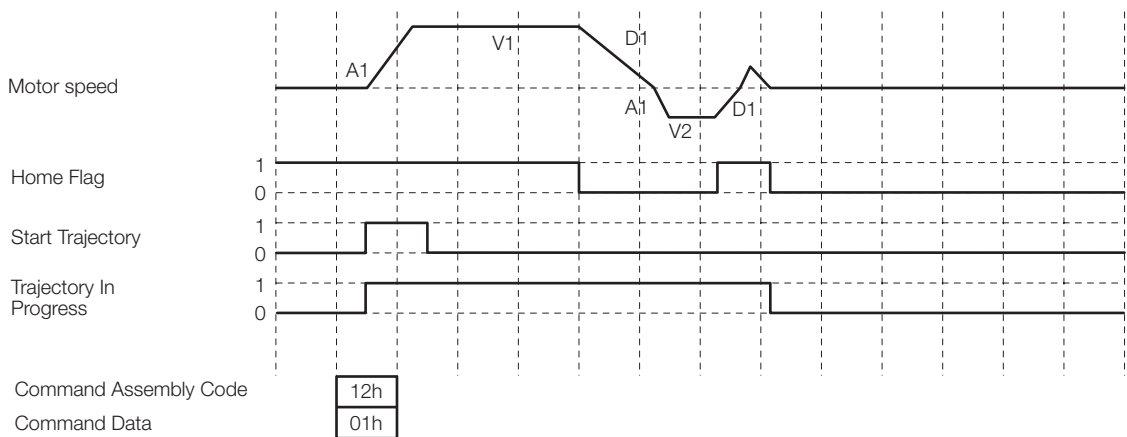
3. After the status of the Home Flag changes, the axis will continue to travel until the first phase C is detected.
4. When phase C is detected, the axis will decelerate and travel to the position where phase C was detected.



Type 1

Origin returns are based only on the detection of the Home Flag.

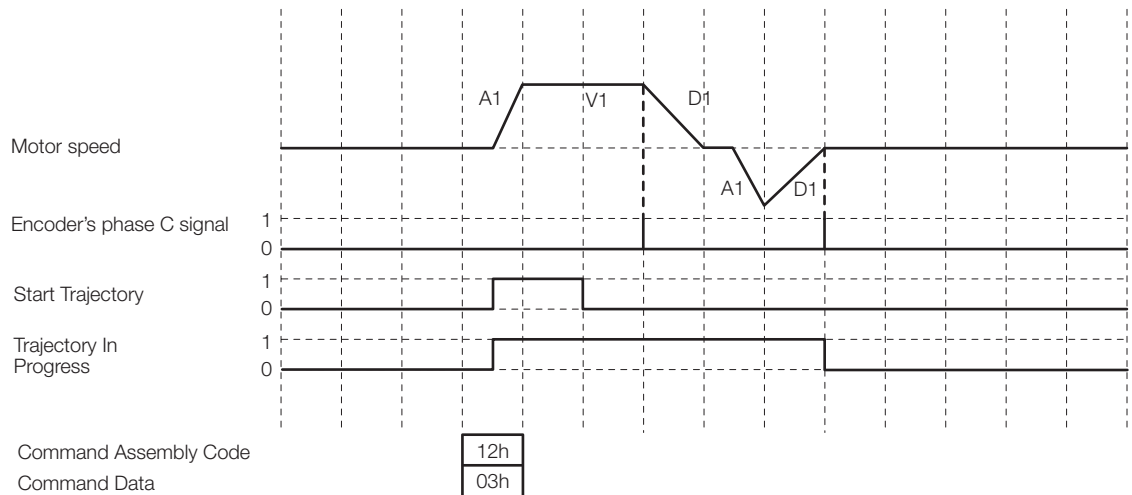
1. The axis travels at the origin approach speed in the specified origin return direction.
2. When the status of the Home Flag changes, the axis will change the direction. It will then return at the origin return creep speed to the position where the status of the Home Flag changed.
3. When the position where the Home Flag changes to the original status is detected, the axis direction will change and the axis will return to the position where the change in the status of the Home Flag was detected.



Type 3

Origin returns are based only on the detection of phase C of the encoder.

1. The axis travels at the origin approach speed in the specified origin return direction.
2. When the first phase C is detected, the axis will stop, reverse direction, and travel to the position where phase C was detected.



Origin Return Operation Example

An example of a command message for an origin return is given in the following table. A type 0 origin return is used in this example. The SERVOPACK assumes that the data, such as the Start Trajectory bit, is valid when the Valid Data bit in the command message is set to 1. Therefore, set bytes 1 to 7 first, and then set byte 0.

Bytes	Bit 7	Bit 6	Bit 5	Bit 4	Bit 3	Bit 2	Bit 1	Bit 0
0	1 Enable	1 Valid Data	0 Hard Stop	0 Smooth Stop	0 Direction (V mode)	0 Absolute/Incremental	0 Start Block	1 Start Trajectory
1	0x00 Block Number							
2	0x1 Axis Instance			0x12 Command Assembly Code				
3	0x1 Axis Instance			0x03 Response Assembly Code				
4	0x00 (Homing Type)							
5	0x00							
6	0x00							
7	0x00							

- If an alarm occurs, the servo is OFF, or another operation command, such as positioning or an origin return, is being executed, the origin return command will be ignored.
- Make sure that the Enable State bit in the response message is set to 1, and then set the Start Trajectory bit. If you set the Enable bit and the Start Trajectory bit at the same time, the Start Trajectory bit will be ignored.

13.3.4 Switching to Positioning


When the SERVOPACK receives a command to switch to positioning during continuous operation, the following three types of positioning can be performed depending on the parameter settings.

- Direct positioning
- Positioning in specified rotation direction
- Positioning by the near course

All of the following conditions must be met to switch to positioning.

- A rotational coordinate system must be set.
- Symmetrical linear acceleration/deceleration (PnB26 = 0001 hex) or asymmetrical linear acceleration/deceleration (PnB26 = 0003 hex) must be set.

Refer to the following section for details on the positioning patterns.

 12.4.1 Positioning Patterns after Continuous Operation on page 12-13

The Switch to Positioning Command depends on the setting of the 15th bit of PnBA5 (Action Definition Setting) as follows:

- PnBA5 bit 15 = 0:
Execute a normal Positioning command (command assembly code = 0x01) to switch from continuous operation to positioning.
- PnBA5 bit 15 = 1:
Execute a Switch to Positioning command (command assembly code = 0x1F) to switch from continuous operation to positioning.

Switch to Positioning Operation

1. Set the parameters required for this operation.
2. Set the Direction bit in the command message.
3. Set the command assembly code to 0x11 and set the motor speed in the command message.
4. In the command message, set the Valid Data bit to 1, and then set the Start Trajectory bit to 1.
5. After the required time has passed, change the command assembly code to the Positioning command (0x01) or to the Switch to Positioning command (0x1F). Then clear the Start Trajectory bit to 0 and set it to 1 again.
If the Positioning command (0x01) is used, the end position must be set in the command data.

Operation Example

An example of a command message to switch to positioning is given in the following table. In this example, clockwise rotation with a motor speed of 8,000 reference units/s (= 0x00001F40) is specified. The SERVOPACK assumes that the data, such as that for the motor speed, is valid when the Valid Data bit in the command (0x01) message is set to 1. Therefore, set bytes 1 to 7 first, and then set byte 0.

Bytes	Bit 7	Bit 6	Bit 5	Bit 4	Bit 3	Bit 2	Bit 1	Bit 0
0	1 Enable	1 Valid Data	0 Hard Stop	0 Smooth Stop	1 Direction (V mode)	0 Absolute/Incremental	0 Start Block	1 Start Trajectory
1	0x00 Block Number							
2	0x1 Axis Instance			0x11 Command Assembly Code				
3	0x1 Axis Instance			0x03 Response Assembly Code				
4	0x40 Target Speed Low Byte							
5	0x1F Target Speed Low Middle Byte							

Bytes	Bit 7	Bit 6	Bit 5	Bit 4	Bit 3	Bit 2	Bit 1	Bit 0
6	0x00 Target Speed High Middle Byte							
7	0x00 Target Speed High Byte							

After rotating the motor for the required time, send the following command message.

◆ PnBA5 Bit 15 = 0 (Positioning Command)

A Positioning command (command assembly code = 0x01) is used.

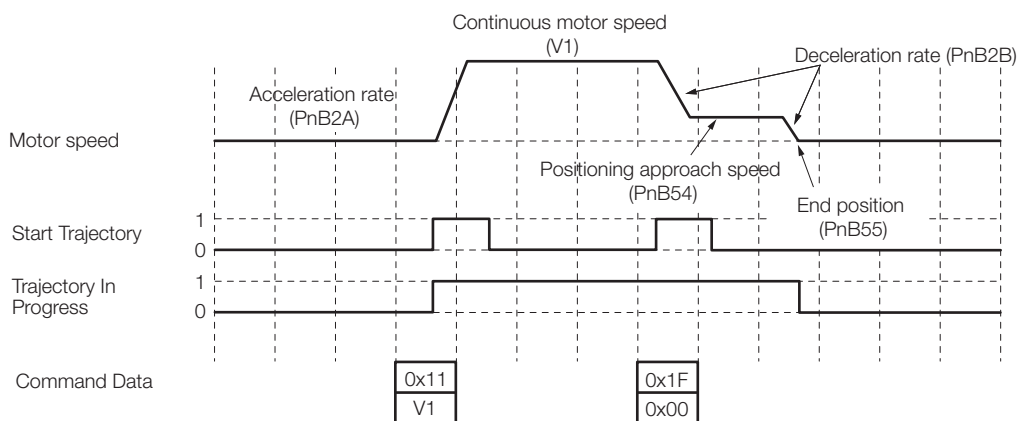
Bytes	Bit 7	Bit 6	Bit 5	Bit 4	Bit 3	Bit 2	Bit 1	Bit 0
0	1 Enable	1 Valid Data	0 Hard Stop	0 Smooth Stop	0 Direction (V mode)	0 Absolute/Incremental	0 Start Block	1 Start Trajectory
1	0x00 Block Number							
2	0x1 Axis Instance			0x01 Command Assembly Code				
3	0x1 Axis Instance			0x03 Response Assembly Code				
4	0x00 Target Position Low Byte							
5	0xF4 Target Position Low Middle Byte							
6	0x01 Target Position High Middle Byte							
7	0x00 Target Position High Byte							

◆ PnBA5 Bit 15 = 1 (Switch to Positioning Command)

The Switch to Positioning command (command assembly code = 0x1F) is used.

Bytes	Bit 7	Bit 6	Bit 5	Bit 4	Bit 3	Bit 2	Bit 1	Bit 0
0	1 Enable	1 Valid Data	0 Hard Stop	0 Smooth Stop	0 Direction (V mode)	0 Absolute/Incremental	0 Start Block	1 Start Trajectory
1	0x00 Block Number							
2	0x1 Axis Instance			0x1F Command Assembly Code				
3	0x1 Axis Instance			0x03 Response Assembly Code				
4	0x00							
5	0x00							
6	0x00							
7	0x00							

Example: Using the Switch to Positioning Command





Important

- Setting the Parameters
Make sure that the following parameters are set to the correct values.

Pn□□□	Parameter Name	Value
PnB12	Coordinate Type Selection	0001 hex
PnB13	Reference Units per Machine Revolution	Depends on the system.
PnB54	Positioning Approach Speed	
PnB55	End Position	
PnB59	Approach Mode	

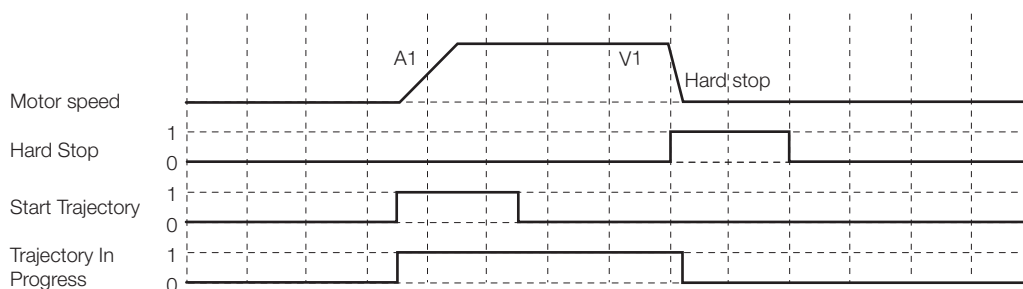
- Using an Explicit Message
Make sure that the following attributes are set to the correct values.

Object	Attribute	Attribute Name
0x25	200	Approach speed for positioning
	201	End position
0x64	32	Coordinate Type
	33	Command value per machine rotation
	99	Approach Mode

13.3.5 Hard Stop Operation

To execute a Hard Stop command, the maximum deceleration is used to stop the motor.

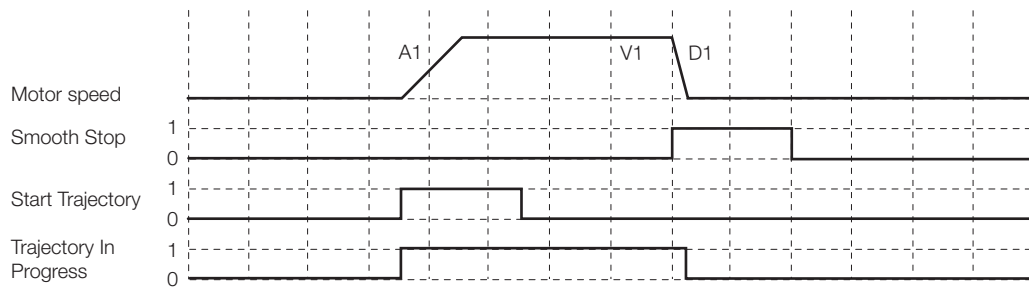
- If the Hard Stop bit is set to 1 while the motor is moving, the motor will decelerate to a stop using the maximum deceleration rate.
- After the motor stops, the target position is set to the current position, and the On Target Position bit is set to 1.
- The hard stop status can be cleared by clearing the Hard Stop bit to 0. Execution of the Hard Stop command will continue even if the Hard Stop bit is cleared to 0 during command execution (i.e., during deceleration).



13.3.6 Smooth Stop Operation

To execute a Smooth Stop command, the deceleration rate that is set for the motor is used to stop the motor.

1. If the Smooth Stop bit is set to 1 while the motor is moving, the motor decelerates to a stop at the specified deceleration rate.
2. After the motor stops, the target position is set to the current position, and the On Target Position bit is set to 1.
3. The smooth stop status can be cleared by clearing the Smooth Stop bit to 0. Execution of the Smooth Stop command will continue even if the Smooth Stop bit is cleared to 0 during command execution (i.e., during deceleration).

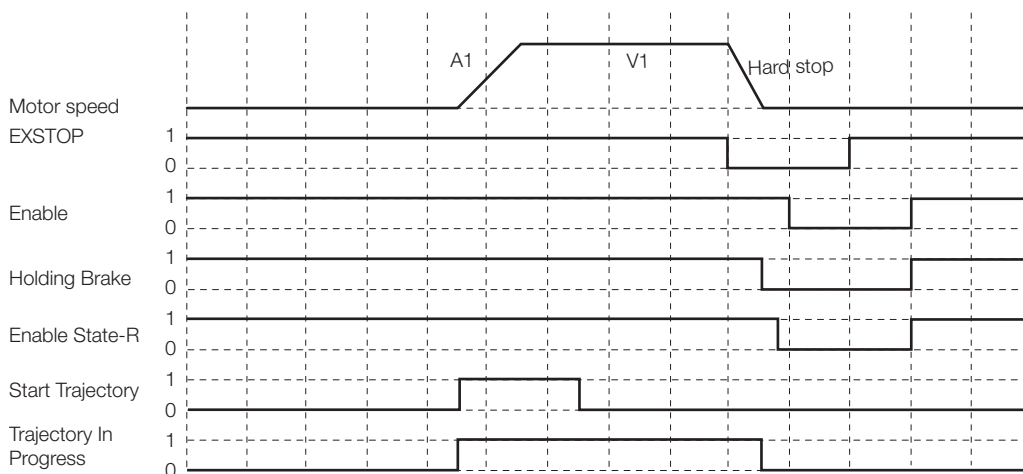


13.3.7 External Stop Operation

For the external stop operation, an emergency stop is performed in response to an external signal.

If the external stop input signal (EXSTOP) is made active (turned OFF) while the motor is moving, a hard stop operation is performed. After the motor has stopped, the servo is turned OFF. If the brake function has been set, the brake will be turned ON, and then the servo will be turned OFF.

To return to normal operation, make EXSTOP inactive (turn ON). If the Enable bit is already set to 1, the servo is turned ON automatically.

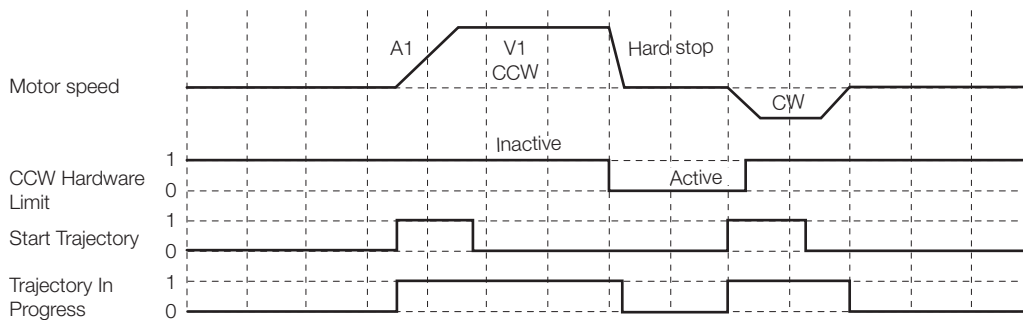


13.3.8 Hardware Limit Operation

The hardware limit operation monitors the CW-OT (CW Drive Prohibit Input) signal and the CCW-OT (CCW Drive Prohibit Input) signal from limit switches. If either signal becomes active, the motor is stopped.

If the counterclockwise hardware limit is reached while the motor is rotating counterclockwise, a hard stop is performed. Similarly, if the clockwise hardware limit is reached while the motor is rotating clockwise, a hard stop is performed. After the hard stop has been performed, only movement away from the hardware limit is permitted.

The hardware limits in both directions are monitored while the motor is stopped.

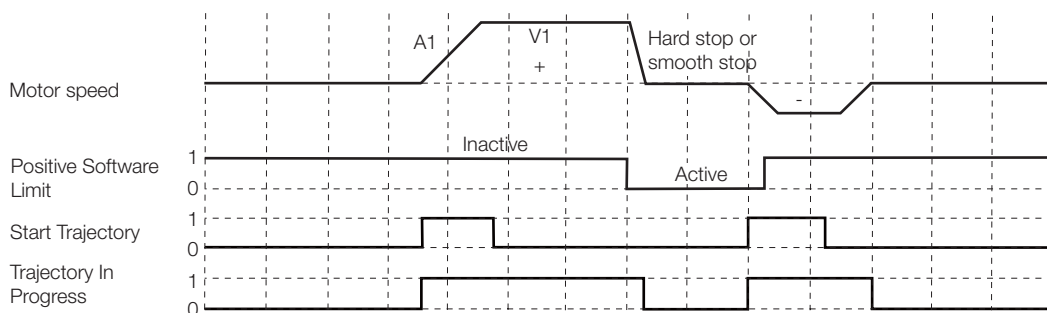


13.3.9 Software Limit Operation

The software limit operation decelerates the motor to a stop if a specified software limit is reached.

If the current position of the motor exceeds a specified software limit, the motor will decelerate to a stop. After the motor has stopped, it can move only in the direction that will return it to be within the software limit. The positions that are managed by the SERVOPACK before an origin return is performed do not match the positions in the machine coordinate system. Therefore, the software limits have no meaning before an origin return is performed.

If a rotary coordinate system is specified, the software limits are active only within one machine revolution.



13.4 Programmed Operation

13.4.1 What Is Programmed Operation?

Programmed operation allows you to set the sequential execution of command blocks in advance. You can store up to 255 command blocks and specify the execution flow by specifying the next block to execute with the Link Number attribute.

13.4.2 Command Blocks

Command Block Structure

A command block consists of up to seven attributes, as shown in the following table. The number of attributes that are used depends on the block command code.

Attribute	Name	Description	Data Type
1	Block Command Code	Command Number Defines the structure of the command block.	USINT
2	Link Number	Specifies the number of the next command block to execute.	USINT
3	Depends on the command.		
4	Depends on the command.		
5	Depends on the command.		
6	Depends on the command.		
7	Depends on the command.		

Block Command List

The following table lists the block commands that are supported for programmed operation.

Command Name	Code	Function
Attribute Change command	0x01	Changes the value of an attribute.
Wait Equals command	0x02	Stops the execution of the next command block until the specified attribute reaches the set value.
Conditional Link Greater Than command	0x03	Branches to the specified block if the value of the specified attribute is greater than a specified value.
Conditional Link Less Than command	0x04	Branches to the specified block if the specified attribute is smaller than the specified value.
Decrement Counter command	0x05	Decrements by one the value of the counter that is used for loop control.
Delay command	0x06	Inserts a waiting time between the execution of other blocks.
Trajectory command	0x07	Starts positioning.
Trajectory and Wait command	0x08	Starts positioning and waits until the target position is reached.
Target Speed Change command	0x09	Changes the target speed.
Goto Origin command	0x10	Moves the axis to the origin.

13.4.3 Block Command Details

Attribute Change Command

Use the Attribute Change command to change the value of an attribute. You can change the values of only the attributes that are listed in the following table. No other attributes can be changed.

The table that is provided below gives the data format for the Attribute Change command.

Class	Instance	Attribute	Description of Attribute
0x25	1	8	Acceleration rate
0x25	1	9	Deceleration rate
0x26	1	6	Counter

Attribute	Name	Data Type	Description of Attribute
1	Block Command Code	USINT	Code = 0x01
2	Link Number	USINT	Number of the next command block to execute*
3	Target Class	USINT	Class of attribute to change
4	Target Instance	USINT	Instance ID of attribute to change
5	Attribute Number	USINT	ID of attribute to change
6	Attribute Value	DINT	New value of attribute to change

* If the link number is 0, the block is the final block in the sequence.

Wait Equals Command

The Wait Equals command stops the execution of a sequence of blocks until the value of a specified attribute equals a set value. When the specified attribute equals the set value, the block will end and the next linked block will be executed.

The following table gives the attributes that can be compared.

Class	Instance	Attribute	Description of Attribute
0x25	1	13	Current position (reference units)
0x25	1	15	Reference position (reference units)

Attribute	Name	Data Type	Description of Attribute
1	Block Command Code	USINT	Code = 0x02
2	Link Number	USINT	Number of the next command block to execute*
3	Target Class	USINT	Class of attribute to compare
4	Target Instance	USINT	Instance ID of attribute to compare
5	Attribute Number	USINT	ID of attribute to compare
6	Compare timeout value	DINT	If the values do not match within the set time, a timeout will occur. Setting range: 0 to 0x7FFFFFFF Unit: ms Set the timeout value to 0 to wait indefinitely.
7	Compare value	DINT	Value to compare to value of attribute

* If the link number is 0, the block is the final block in the sequence.

Conditional Link Greater Than Command

If the value of the specified attribute is greater than or equal to the value of the Compare Data attribute, execution will branch to the block that is specified in the Compare Link Number attribute. If the value of the specified attribute is smaller than the value of the Compare Data attribute, execution will branch to the block that is specified in the Link Number attribute.

The following table gives the attributes that can be compared.

Class	Instance	Attribute	Description of Attribute
0x25	1	13	Current position (reference units)
0x25	1	15	Reference position (reference units)
0x26	1	6	Counter

The following table gives the data format of the Conditional Link Greater Than command.

Attribute	Name	Data Type	Description of Attribute
1	Block Command Code	USINT	Code = 0x03
2	Link Number	USINT	Number of the next command block to execute if the value of the attribute is smaller than the value of the Compare Data attribute*
3	Target Class	USINT	Class of attribute to compare
4	Target Instance	USINT	Instance ID of attribute to compare
5	Attribute Number	USINT	ID of attribute to compare
6	Compare Link Number	USINT	Number of the next command block to execute if the value of the attribute is larger than the value of the Compare Data attribute
7	Compare Data	DINT	Value to compare

* If the link number is 0, the block is the final block in the sequence.

Conditional Link Less Than Command

If the value of the specified attribute is smaller than or equal to the value of the Compare Data attribute, execution will branch to the block that is specified in the Compare Link Number attribute. If the value of the specified attribute is larger than the value of the Compare Data attribute, execution will branch to the block that is specified in the Link Number attribute.

The following table gives the attributes that can be compared.

Class	Instance	Attribute	Description of Attribute
0x25	1	13	Current position (reference units)
0x25	1	15	Reference position (reference units)
0x26	1	6	Counter

The following table gives the data format of the Conditional Link Less Than command.

Attribute	Name	Data Type	Description of Attribute
1	Block Command Code	USINT	Code = 0x04
2	Link Number	USINT	Number of the next command block to execute if the value of the attribute is larger than the value of the Compare Data attribute*
3	Target Class	USINT	Class of attribute to compare
4	Target Instance	USINT	Instance ID of attribute to compare
5	Attribute Number	USINT	ID of attribute to compare
6	Compare Link Number	USINT	Number of the next command block to execute if the value of the attribute is smaller than the value of the Compare Data attribute
7	Compare Data	DINT	Value to compare

* If the link number is 0, the block is the final block in the sequence.

Decrement Counter Command

The Decrement Counter command decrements by one the counter that is used for loop control. The following table gives the data format for the Decrement Counter command.

Attribute	Name	Data Type	Description of Attribute
1	Block Command Code	USINT	Code = 0x05
2	Link Number	USINT	Number of next command block to execute*

* If the link number is 0, the block is the final block in the sequence.

Delay Command

The Delay command inserts a delay time before the execution of the next command block. Set the delay time in increments of 4 ms. If you specify any value that is not a multiple of 4 ms, the value will be rounded down to the nearest multiple of 4 ms. The following table gives the data format for the Delay command.

Attribute	Name	Data Type	Description of Attribute
1	Block Command Code	USINT	Code = 0x06
2	Link Number	USINT	Number of next command block to execute*
3	Delay	DINT	Delay timer value Setting range: 0x00000001 to 0x7FFFFFFF Unit: ms

* If the link number is 0, the block is the final block in the sequence.

Trajectory Command

The Trajectory command starts positioning. After the SERVOPACK starts positioning, the next command block is executed. The following table gives the data format for the Trajectory command.

Attribute	Name	Data Type	Description of Attribute
1	Block Command Code	USINT	Code = 0x07
2	Link Number	USINT	Number of next command block to execute*
3	Target Position	DINT	Target position (reference units)
4	Target Velocity	DINT	Target speed (reference unit/s)
5	Absolute/Incremental	BOOL	Absolute (0)/Incremental (1)

* If the link number is 0, the block is the final block in the sequence.

Trajectory and Wait Command

The Trajectory and Wait command starts positioning. The next command block is not executed until positioning has been completed. The next command block is executed only after the positioning operation is completed. The following table gives the data format for the Trajectory and Wait command.

Attribute	Name	Data Type	Description of Attribute
1	Block Command Code	USINT	Code = 0x08
2	Link Number	USINT	Number of next command block to execute*
3	Target Position	DINT	Target position (reference units)
4	Target Velocity	DINT	Target speed (reference unit/s)
5	Absolute/Incremental	BOOL	Absolute (0)/Incremental (1)

* If the link number is 0, the block is the final block in the sequence.

Target Speed Change Command

Use the Target Speed Change command to change the target speed. The following table gives the data format for the Target Speed Change command.

Attribute	Name	Data Type	Description of Attribute
1	Block Command Code	USINT	Code = 0x09
2	Link Number	USINT	Number of next command block to execute*
3	Target Velocity	DINT	Target speed (reference unit/s)

* If the link number is 0, the block is the final block in the sequence.

Goto Origin Command

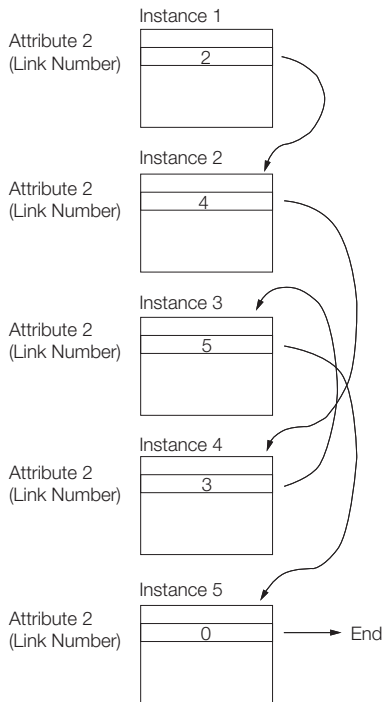
The Goto Origin command moves the axis to the origin. Before executing this command with an incremental encoder, make sure that an origin return has been completed normally.

Attribute	Name	Data Type	Description of Attribute
1	Block Command Code	USINT	Code = 0x10
2	Link Number	USINT	Number of next command block to execute*
3	Home offset	DINT	The sum of the offset and the value of the Origin Position attribute is the absolute value target position. Setting range: 0x80000001 to 0x7FFFFFFF
4	Target Velocity	DINT	Target speed (reference unit/s)

* If the link number is 0, the block is the final block in the sequence.

13.4.4 Command Block Links

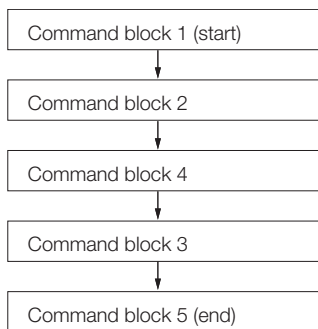
Command blocks are linked as shown below depending on the link numbers in attribute 2 (Link Number) of the command blocks.



The command block number is equivalent to the instance ID of the command block object.

If the link number that is stored in attribute 2 is 0, this command block will be the final block in the sequence of command blocks.

If command block 1 is executed from the host controller with the command blocks stored as shown in the preceding example, the command blocks are executed in the following sequence.



13.4.5 Creating and Changing Command Blocks

You can use explicit messages to create and change Command Block objects (class ID: 0x27).

You can use the following two services.

Service Code	Name	Meaning	Remarks
0x02	Set_Attribute_All	Changes all the data of the specified instance.	Use this service to set all of the attribute data in a command block at the same time. We recommend that you normally use this service to write command blocks.

Continued on next page.

Continued from previous page.

Service Code	Name	Meaning	Remarks
0x10	Set_Attribute_Single	Changes the value of the specified attribute.	Use this service to change only one attribute in a command block. If you change the command assembly code of the command block in attribute 1, all data from attribute 2 to attribute 7 will be initialized. If you change the command block with this service, change the attributes in sequence starting with the attribute with the smallest number.

Example The following example is for when the Target Speed Change command is sent. The following Target Speed Change command is used.

0x09	Target Speed Change command
0x02	Number of the next command block to execute
0x40	} Target speed = 8,000 reference units/s
0x1F	
0x00	
0x00	

The following table shows an example of when this command is stored in command block 1 by using the Set_Attribute_All service.


• Command (Master Device to SERVOPACK)

7	6	5	4	3	2	1	0
0	0	0					
0	0x02						
0x27 (object number)							
0x01 (instance ID)							
0x09							
0x02							
0x40							
0x1F							
0x00							
0x00							

• Response (SERVOPACK to Master Device)

7	6	5	4	3	2	1	0
0	0	0					
1	0x02						
0x09							
0x02							
0x40							
0x1F							
0x00							
0x00							

Note: If the Set_Attribute_Single service is used, you must write the data in the following order: the Target Speed Change command, the next command block number, and then the target speed.



Important If you change a command block under the following conditions, an error will occur.

- The current block is still being executed.
- An alarm has occurred in the SERVOPACK.

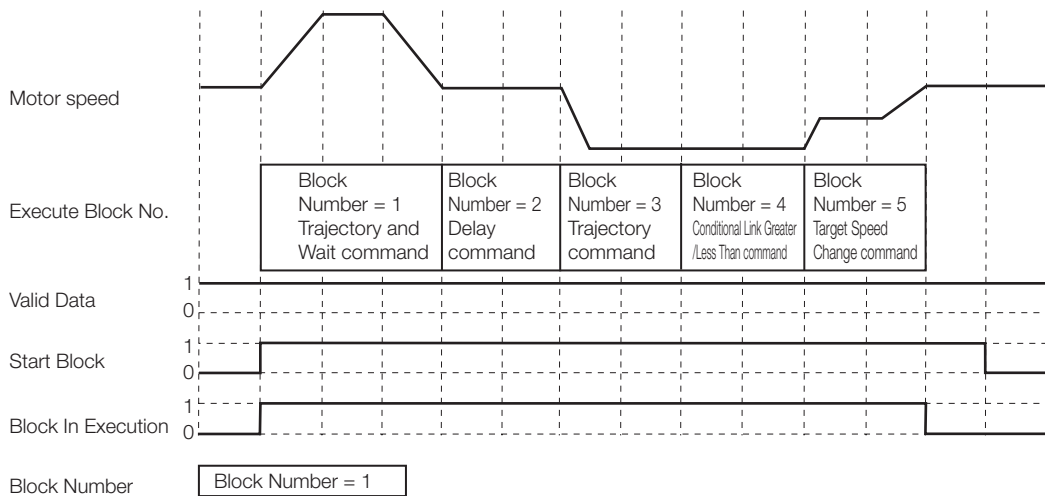
13.4.6 Starting Programmed Operation

To start programmed operation, specify the starting command block number in a command message in I/O communications. When programmed operation starts, the SERVOPACK will continuously execute the command blocks. The host controller does not need to continuously send commands to the SERVOPACK using command messages.

Use the following procedure to start programmed operation.

1. Set the block number of the first block to execute in the Block Number field (byte 1).
2. Set the Valid Data bit to 1.
3. Set the Start Block bit to 1.

Bytes	Bit 7	Bit 6	Bit 5	Bit 4	Bit 3	Bit 2	Bit 1	Bit 0
0	1 Enable	1 Valid Data	0 Hard Stop	0 Smooth Stop	0 Direction (V mode)	0 Absolute/ Incremental	1 Start Block	0 Start Trajectory
1	0x01 Block Number							
2	0x1 Axis Instance			0x00 Command Assembly Code				
3	0x1 Axis Instance			0x01 Response Assembly Code				
4	0x00							
5	0x00							
6	0x00							
7	0x00							



When programmed operation starts, the SERVOPACK executes the block command that is registered in attribute 1 of the command block that is specified with the command block number (which is the instance ID).

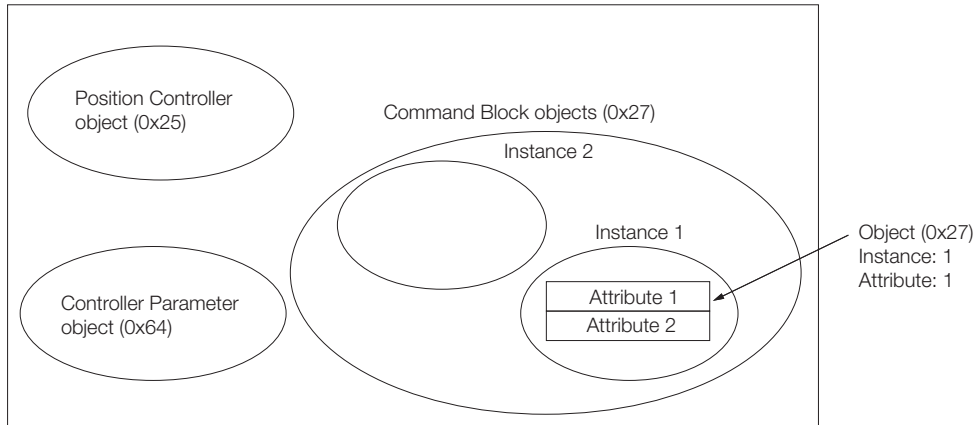
The command block with the block number that is set in the Link Number attribute (attribute 2) will be executed next. The command blocks will then be executed in sequence until the link number is 0x00.

While the command blocks are being executed, the Block In Execution bit will be set to 1. After all the command blocks have been executed, the Block In Execution bit will be cleared to 0.

13.5 Reading and Changing Attributes

13.5.1 DeviceNet Data Management

In DeviceNet, all parameters and command blocks are managed as objects, instances, and attributes. The following diagram illustrates this.



SERVOPACKs have the following objects.

Object Name	Instance	Function
Identity	1	Manages the device type and serial number.
Message Router	1	Distributes explicit messages to other objects.
DeviceNet	1	Manages the physical connection to DeviceNet.
Assembly	1	Manages response messages.
	2	Manages command messages.
Connection	1	Manages explicit messages.
	2	Manages polled I/O messages.
Position Controller Supervisor	1	Manages command assembly codes and response assembly codes.
Position Controller	1	Manages motion parameters.
Block Sequencer	1	Manages command blocks.
Command Block	1 to 255	Stores a command block.
Control Parameter	1	Manages detailed motion parameters.
SERVOPACK parameter	1	Manages SERVOPACK parameters.

Instances of objects have attributes. The attributes hold the settings and status of the SERVOPACK. To read or change an attribute via DeviceNet, specify the class ID, instance ID, and attribute ID.

For example, when reading a Current Position attribute, which holds the current position, specify the attribute as follows:

Position Controller Object

- Class: 0x25
- Instance ID: 1
- Attribute ID: 13

13.5.2 Reading and Changing Attributes

You can use messages with explicit messages communications to read or change attributes.

◆ Basic Format

The following table shows the basic format for explicit messages.

- Commands (Master Device to SERVOPACK)

7	6	5	4	3	2	1	0
0	0/1	MAC ID					
0	Service Code						
Class ID							
Instance ID							
Attribute ID							
Service Data							

- Responses (SERVOPACK to Master Device)

7	6	5	4	3	2	1	0
0	0/1	MAC ID					
1	Service Code						
Response Service Data							

◆ Example of Reading the Acceleration Attribute

The following table shows an example using master device MAC ID of 0 and reading the acceleration (class ID 0x25, instance ID 1, and attribute ID 8) with the Get_Attribute_Single service (service code: 0x0E).

- Commands (Master Device to SERVOPACK)

7	6	5	4	3	2	1	0
0	0	0					
0	0x0E						
0x25							
0x01							
0x08							

- Responses (SERVOPACK to Master Device)

7	6	5	4	3	2	1	0
0	0	0					
1	0x0E						
0x34 (lowest byte)							
0x12							
0x00							
0x00 (uppermost byte)							

Refer to user documentation for the master device for details on explicit messages.

13.5.3 Executing a Module Reset

You can use an explicit message to reset the SERVOPACK by executing the Reset service for the Identity object. The following example is for a master device with a MAC ID of 0.

Commands (Master Device to SERVOPACK)

7	6	5	4	3	2	1	0
0	0	0					
0	0x05						
0x01 (Identity object)							
0x01 (Instance: 1)							

When the Module is reset, the same processing as when the power supply is turned ON will be performed by the SERVOPACK. This means that DeviceNet communications will be interrupted.

If the Master device does not support automatic recovery of DeviceNet communications, it will be necessary to reconnect DeviceNet communications.

The following operations will be performed when the Module is reset.

- All parameters are stored in non-volatile memory.
- The parameters that require turning the power supply OFF and ON again are enabled.

Maintenance

14

This chapter provides information on the meaning of, causes of, and corrections for alarms and warnings.

14.1 Inspections and Part Replacement 14-2

- 14.1.1 Inspections 14-2
- 14.1.2 Guidelines for Part Replacement 14-2
- 14.1.3 Replacing the Battery 14-3

14.2 Alarm Displays 14-5

- 14.2.1 List of Alarms 14-5
- 14.2.2 Troubleshooting Alarms 14-11
- 14.2.3 Resetting Alarms 14-43
- 14.2.4 Displaying the Alarm History 14-44
- 14.2.5 Clearing the Alarm History 14-45
- 14.2.6 Resetting Alarms Detected in Option Modules 14-46
- 14.2.7 Resetting Motor Type Alarms 14-48

14.3 Warning Displays 14-49

- 14.3.1 List of Warnings 14-49
- 14.3.2 Troubleshooting Warnings 14-50

14.4 Troubleshooting Based on the Operation and Conditions of the Servomotor . . 14-56

14.1 Inspections and Part Replacement

This section describes inspections and part replacement for SERVOPACKs.

14.1.1 Inspections

Perform the inspections given in the following table at least once every year for the SERVO-PACK. Daily inspections are not required.

Item	Frequency	Inspection	Correction
Exterior	At least once a year	Check for dust, dirt, and oil on the surfaces.	Clean with compressed air or a cloth.
Loose Screws		Check for loose terminal block and connector screws and for other loose parts.	Tighten any loose screws or other loose parts.

14.1.2 Guidelines for Part Replacement

The following electric or electronic parts are subject to mechanical wear or deterioration over time. Use one of the following methods to check the standard replacement period.


- Use the service life prediction function of the SERVOPACK. Refer to the following section for information on service life predictions.

 9.4 Monitoring Product Life on page 9-14

- Use the following table.

Part	Standard Replacement Period	Remarks
Cooling Fan	4 years to 5 years	The standard replacement periods given on the left are for the following operating conditions. <ul style="list-style-type: none"> • Surrounding air temperature: Annual average of 30°C • Load factor: 80% max. • Operation rate: 20 hours/day max.
Electrolytic Capacitor	10 years	
Relays	100,000 power ON operations	Power ON frequency: Once an hour
Battery	3 years without power supplied	Surrounding temperature without power supplied: 20°C

When any standard replacement period is close to expiring, contact your Yaskawa representative. After an examination of the part in question, we will determine whether the part should be replaced.




The parameters of any SERVOPACKs that are sent to Yaskawa for part replacement are reset to the factory settings before they are returned to you. Always keep a record of the parameter settings. And, always confirm that the parameters are properly set before starting operation.

Important

14.1.3 Replacing the Battery

If the battery voltage drops to approximately 2.7 V or less, an A.830 alarm (Encoder Battery Alarm) or an A.930 warning (Encoder Battery Warning) will be displayed.

If this alarm or warning is displayed, the battery must be replaced. Refer to the following section for the battery replacement procedure.

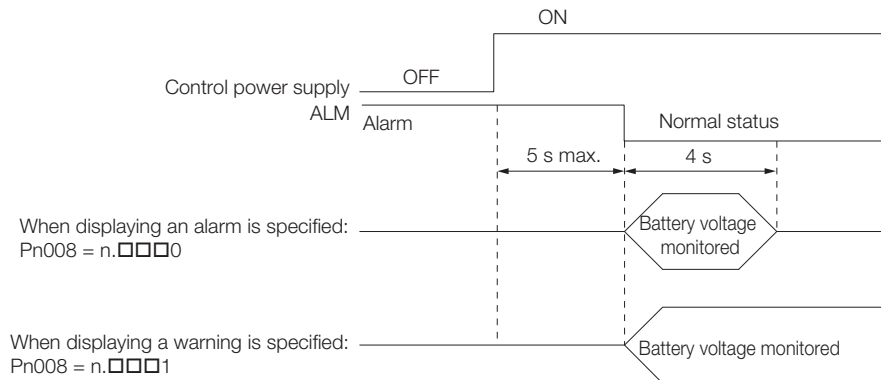
 *Battery Replacement Procedure on page 14-3*

Battery Alarm/Warning Selection

Whether to display an alarm or a warning is determined by the setting of Pn008 = n.□□□X (Low Battery Voltage Alarm/Warning Selection).

Parameter	Meaning	When Enabled	Classification
Pn008	n.□□□0 (default setting)	After restart	Setup
	n.□□□1		

- Pn008 = n.□□□0
- The ALM (Servo Alarm) signal is output for up to five seconds when the control power supply is turned ON, and then the battery voltage is monitored for four seconds. No alarm will be displayed even if the battery voltage drops below the specified value after these four seconds.
- Pn008 = n.□□□1
The ALM (Servo Alarm) signal is output for up to five seconds when the control power supply is turned ON, and then the battery voltage is monitored continuously.




Battery Replacement Procedure

◆ When Installing a Battery on the Host Controller

1. Turn ON only the control power supply to the SERVOPACK.
2. Remove the old battery and mount a new battery.
3. Turn OFF the control power supply to the SERVOPACK to clear the A.830 alarm (Absolute Encoder Battery Error).
4. Turn ON the control power supply to the SERVOPACK again.
5. Make sure that the alarm has been cleared and that the SERVOPACK operates normally.

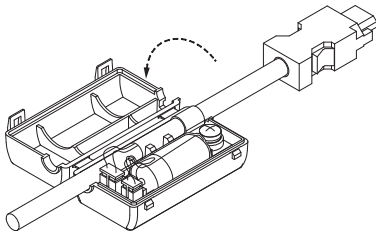
◆ When Using an Encoder Cable with a Battery Case

1. Turn ON only the control power supply to the SERVOPACK.

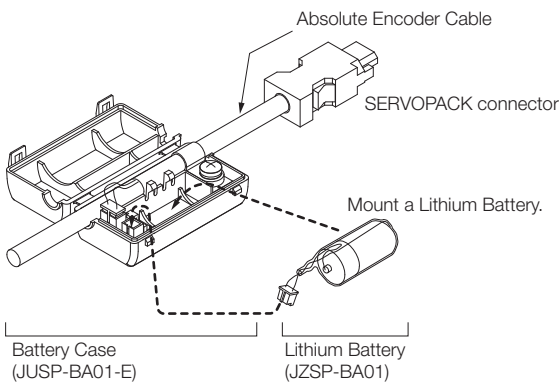
 If you remove the Battery or disconnect the Encoder Cable while the control power supply to the SERVOPACK is OFF, the absolute encoder data will be lost.

Important

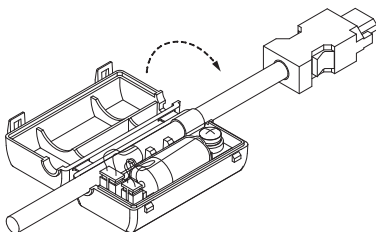
2. Open the cover of the Battery Case.



3. Remove the old Battery and mount a new Battery.



4. Close the cover of the Battery Case.



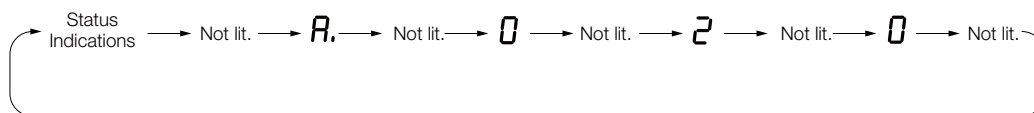
5. Turn OFF the power supply to the SERVOPACK to clear the A.830 alarm (Absolute Encoder Battery Error).
6. Turn ON the power supply to the SERVOPACK.
7. Make sure that the alarm has been cleared and that the SERVOPACK operates normally.

14.2 Alarm Displays

If an error occurs in the SERVOPACK, an alarm number will be displayed on the panel display.

If there is an alarm, the display will change in the following order.

Example: Alarm A.020




This section provides a list of the alarms that may occur and the causes of and corrections for those alarms.

14.2.1 List of Alarms

The list of alarms gives the alarm name, alarm meaning, alarm stopping method, alarm reset possibility, and alarm code output in order of the alarm numbers.

Servomotor Stopping Method for Alarms

Refer to the following section for information on the stopping method for alarms.

 5.12.2 Servomotor Stopping Method for Alarms on page 5-35

Alarm Reset Possibility

Yes: You can use an alarm reset to clear the alarm. However, this assumes that the cause of the alarm has been removed.

No: You cannot clear the alarm.

List of Alarms

Alarm Number	Alarm Name	Alarm Meaning	Servo-motor Stopping Method	Alarm Reset Possible?
A.020	Parameter Checksum Error	There is an error in the parameter data in the SERVOPACK.	Gr.1	No
A.021	Parameter Format Error	There is an error in the parameter data format in the SERVOPACK.	Gr.1	No
A.022	System Checksum Error	There is an error in the parameter data in the SERVOPACK.	Gr.1	No
A.024	System Alarm	An internal program error occurred in the SERVOPACK.	Gr.1	No
A.025	System Alarm	An internal program error occurred in the SERVOPACK.	Gr.1	No
A.030	Main Circuit Detector Error	There is an error in the detection data for the main circuit.	Gr.1	Yes
A.040	Parameter Setting Error	A parameter setting is outside of the setting range.	Gr.1	No
A.041	Encoder Output Pulse Setting Error	The setting of Pn212 (Encoder Output Pulses) or Pn281 (Encoder Output Resolution) is outside of the setting range or does not satisfy the setting conditions.	Gr.1	No

Continued on next page.

14.2 Alarm Displays

14.2.1 List of Alarms

Continued from previous page.

Alarm Number	Alarm Name	Alarm Meaning	Servo-motor Stopping Method	Alarm Reset Possible?
A.042	Parameter Combination Error	The combination of some parameters exceeds the setting range.	Gr. 1	No
A.044	Semi-Closed/Fully-Closed Loop Control Parameter Setting Error	The settings of the Option Module and Pn002 = n.X□□□ (External Encoder Usage) do not match.	Gr. 1	No
A.04A	Parameter Setting Error 2	There is a setting error in a system reserved parameter.	Gr. 1	No
A.050	Combination Error	The capacities of the SERVOPACK and Servomotor do not match.	Gr. 1	Yes
A.051	Unsupported Device Alarm	An unsupported device was connected.	Gr. 1	No
A.070	Motor Type Change Detected	The connected motor is a different type of motor from the previously connected motor.	Gr. 1	No
A.080	Linear Encoder Pitch Setting Error	The setting of Pn282 (Linear Encoder Pitch) has not been changed from the default setting.	Gr. 1	No
A.0b0	Invalid Servo ON Command Alarm	A Servo ON command (Enable = 1) was input from the host controller after a utility function that turns ON the Servomotor was executed.	Gr. 1	Yes
A.100	Overcurrent Detected	An overcurrent flowed through the power transformer or the heat sink overheated.	Gr. 1	No
A.101	Motor Overcurrent Detected	The current to the motor exceeded the allowable current.	Gr. 1	No
A.300	Regeneration Error	There is an error related to regeneration.	Gr. 1	Yes
A.320	Regenerative Overload	A regenerative overload occurred.	Gr.2	Yes
A.330	Main Circuit Power Supply Wiring Error	<ul style="list-style-type: none"> The AC power supply input setting or DC power supply input setting is not correct. The power supply wiring is not correct. 	Gr. 1	Yes
A.400	Overvoltage	The main circuit DC voltage is too high.	Gr. 1	Yes
A.410	Undervoltage	The main circuit DC voltage is too low.	Gr.2	Yes
A.510	Overspeed	The motor exceeded the maximum speed.	Gr. 1	Yes
A.511	Encoder Output Pulse Overspeed	<ul style="list-style-type: none"> Rotary Servomotor: The pulse output speed for the setting of Pn212 (Encoder Output Pulses) was exceeded. Linear Servomotor: The motor speed upper limit for the setting of Pn281 (Encoder Output Resolution) was exceeded. 	Gr. 1	Yes
A.520	Vibration Alarm	Abnormal oscillation was detected in the motor speed.	Gr. 1	Yes
A.521	Autotuning Alarm	Vibration was detected during autotuning for the tuning-less function.	Gr. 1	Yes
A.550	Maximum Speed Setting Error	The setting of Pn385 (Maximum Motor Speed) is greater than the maximum motor speed.	Gr. 1	Yes
A.710	Instantaneous Overload	The Servomotor was operating for several seconds to several tens of seconds under a torque that largely exceeded the rating.	Gr.2	Yes
A.720	Continuous Overload	The Servomotor was operating continuously under a torque that exceeded the rating.	Gr. 1	Yes
A.730	Dynamic Brake Overload	When the dynamic brake was applied, the rotational or linear kinetic energy exceeded the capacity of the dynamic brake resistor.	Gr. 1	Yes
A.731				
A.740	Inrush Current Limiting Resistor Overload	The main circuit power supply was frequently turned ON and OFF.	Gr. 1	Yes

Continued on next page.

Continued from previous page.

Alarm Number	Alarm Name	Alarm Meaning	Servo-motor Stopping Method	Alarm Reset Possible?
A.7A1	Internal Temperature Error 1 (Control Board Temperature Error)	The surrounding temperature of the control PCB is abnormal.	Gr.2	Yes
A.7A2	Internal Temperature Error 2 (Power Board Temperature Error)	The surrounding temperature of the power PCB is abnormal.	Gr.2	Yes
A.7A3	Internal Temperature Sensor Error	An error occurred in the temperature sensor circuit.	Gr.2	No
A.7Ab	SERVOPACK Built-in Fan Stopped	The fan inside the SERVOPACK stopped.	Gr.1	Yes
A.810	Encoder Backup Alarm	The power supplies to the encoder all failed and the position data was lost.	Gr.1	No
A.820	Encoder Checksum Error	There is an error in the checksum results for encoder memory.	Gr.1	No
A.830	Encoder Battery Alarm	The battery voltage was lower than the specified level after the control power supply was turned ON.	Gr.1	Yes
A.840	Encoder Data Alarm	There is an internal data error in the encoder.	Gr.1	No
A.850	Encoder Overspeed	The encoder was operating at high speed when the power was turned ON.	Gr.1	No
A.860	Encoder Overheated	The internal temperature of encoder is too high.	Gr.1	No
A.861	Motor Overheated	The internal temperature of motor is too high.	Gr.1	No
A.862	Overheat Alarm	The input voltage (temperature) of the overheat protection input (TH) signal exceeded the setting of Pn61B (Overheat Alarm Level).	Gr.1	Yes
A.890	Encoder Scale Error	A failure occurred in the linear encoder.	Gr.1	No
A.891	Encoder Module Error	An error occurred in the linear encoder.	Gr.1	No
A.8A0	External Encoder Error	An error occurred in the external encoder.	Gr.1	Yes
A.8A1	External Encoder Module Error	An error occurred in the Serial Converter Unit.	Gr.1	Yes
A.8A2	External Incremental Encoder Sensor Error	An error occurred in the external encoder.	Gr.1	Yes
A.8A3	External Absolute Encoder Position Error	An error occurred in the position data of the external encoder.	Gr.1	Yes
A.8A5	External Encoder Overspeed	An overspeed error occurred in the external encoder.	Gr.1	Yes
A.8A6	External Encoder Overheated	An overheating error occurred in the external encoder.	Gr.1	Yes
A.AA0	Resetting Failure	Resetting the Module failed.	Gr.1	No
A.AE6	Address Error	The same node address already exists on the DeviceNet network.	Gr.1	No
A.AE8	Rotary Switch Setting Error	There is an error in the node address or baud rate setting.	Gr.1	No
A.AE9	Bus-OFF Error	A bus-OFF error occurred in DeviceNet communications.	Gr.1	No
A.b33	Current Detection Error 3	An error occurred in the current detection circuit.	Gr.1	No
A.bF0	System Alarm 0	Internal program error 0 occurred in the SERVOPACK.	Gr.1	No
A.bF1	System Alarm 1	Internal program error 1 occurred in the SERVOPACK.	Gr.1	No
A.bF2	System Alarm 2	Internal program error 2 occurred in the SERVOPACK.	Gr.1	No

Continued on next page.

14.2 Alarm Displays

14.2.1 List of Alarms

Continued from previous page.

Alarm Number	Alarm Name	Alarm Meaning	Servo-motor Stopping Method	Alarm Reset Possible?
A.bF3	System Alarm 3	Internal program error 3 occurred in the SERVO-PACK.	Gr. 1	No
A.bF4	System Alarm 4	Internal program error 4 occurred in the SERVO-PACK.	Gr. 1	No
A.bF5	System Alarm 5	Internal program error 5 occurred in the SERVO-PACK.	Gr. 1	No
A.bF6	System Alarm 6	Internal program error 6 occurred in the SERVO-PACK.	Gr. 1	No
A.bF7	System Alarm 7	Internal program error 7 occurred in the SERVO-PACK.	Gr. 1	No
A.bF8	System Alarm 8	Internal program error 8 occurred in the SERVO-PACK.	Gr. 1	No
A.C10	Servomotor Out of Control	The Servomotor ran out of control.	Gr. 1	Yes
A.C20	Phase Detection Error	The detection of the phase is not correct.	Gr. 1	No
A.C21	Polarity Sensor Error	An error occurred in the polarity sensor.	Gr. 1	No
A.C22	Phase Information Disagreement	The phase information does not match.	Gr. 1	No
A.C50	Polarity Detection Failure	The polarity detection failed.	Gr. 1	No
A.C51	Overtravel Detected during Polarity Detection	The overtravel signal was detected during polarity detection.	Gr. 1	Yes
A.C52	Polarity Detection Not Completed	The servo was turned ON before the polarity was detected.	Gr. 1	Yes
A.C53	Out of Range of Motion for Polarity Detection	The travel distance exceeded the setting of Pn48E (Polarity Detection Range).	Gr. 1	No
A.C54	Polarity Detection Failure 2	The polarity detection failed.	Gr. 1	No
A.C80	Encoder Clear Error or Multiturn Limit Setting Error	The multiturn data for the absolute encoder was not correctly cleared or set.	Gr. 1	No
A.C90	Encoder Communications Error	Communications between the encoder and SERVOPACK is not possible.	Gr. 1	No
A.C91	Encoder Communications Position Data Acceleration Rate Error	An error occurred in calculating the position data of the encoder.	Gr. 1	No
A.C92	Encoder Communications Timer Error	An error occurred in the communications timer between the encoder and SERVOPACK.	Gr. 1	No
A.CA0	Encoder Parameter Error	The parameters in the encoder are corrupted.	Gr. 1	No
A.Cb0	Encoder Echoback Error	The contents of communications with the encoder are incorrect.	Gr. 1	No
A.CC0	Multiturn Limit Disagreement	Different multiturn limits have been set in the encoder and the SERVOPACK.	Gr. 1	No
A.CF1	Reception Failed Error in Feedback Option Module Communications	Receiving data from the Feedback Option Module failed.	Gr. 1	No
A.CF2	Timer Stopped Error in Feedback Option Module Communications	An error occurred in the timer for communications with the Feedback Option Module.	Gr. 1	No
A.d00	Position Deviation Overflow	The setting of Pn520 (Excessive Position Deviation Alarm Level) was exceeded by the position deviation while the servo was ON.	Gr. 1	Yes

Continued on next page.

Continued from previous page.

Alarm Number	Alarm Name	Alarm Meaning	Servo-motor Stopping Method	Alarm Reset Possible?
A.d01	Position Deviation Overflow Alarm at Servo ON	The servo was turned ON after the position deviation exceeded the setting of Pn526 (Excessive Position Deviation Alarm Level at Servo ON) while the servo was OFF.	Gr.1	Yes
A.d02	Position Deviation Overflow Alarm for Speed Limit at Servo ON	If position deviation remains in the deviation counter, the setting of Pn529 or Pn584 (Speed Limit Level at Servo ON) limits the speed when the servo is turned ON. This alarm occurs if a position reference is input and the setting of Pn520 (Excessive Position Deviation Alarm Level) is exceeded before the limit is cleared.	Gr.2	Yes
A.d10	Motor-Load Position Deviation Overflow	There was too much position deviation between the motor and load during fully-closed loop control.	Gr.2	Yes
A.d30	Position Data Overflow	The position feedback data exceeded $\pm 1,879,048,192$.	Gr.1	No
A.E00	Command Option Module IF Initialization Timeout Error	Communications initialization failed between the SERVOPACK and the Command Option Module.	Gr.2	Yes
A.E02	Command Option Module IF Synchronization Error 1	A synchronization error occurred between the SERVOPACK and the Command Option Module.	Gr.1	Yes
A.E03	Command Option Module IF Communications Data Error	An error occurred in the communications data between the SERVOPACK and the Command Option Module.	Gr.1	Yes
A.E70	Command Option Module Detection Failure	Detection of the Command Option Module failed.	Gr.1	No
A.E71	Safety Option Module Detection Failure	Detection of the Safety Option Module failed.	Gr.1	No
A.E72	Feedback Option Module Detection Failure	Detection of the Feedback Option Module failed.	Gr.1	No
A.E73	Unsupported Command Option Module	An unsupported Command Option Module was connected.	Gr.1	No
A.E74	Unsupported Safety Option Module	An unsupported Safety Option Module was connected.	Gr.1	No
A.E75	Unsupported Feedback Option Module	An unsupported Feedback Option Module was connected.	Gr.1	No
A.E80	Command Option Module Detection Inconsistency	The Command Option Module was replaced with a different model.	Gr.1	No
A.EA0	Initialization Error	Communications initialization failed between the SERVOPACK and the Command Option Module.	Gr.1	No
A.EA2	Alarm in Current Communications between the DeviceNet Module and SERVOPACK 1	An error occurred in communications between the DeviceNet Module and SERVOPACK during operation.	Gr.2	Yes
A.Eb1	Safety Function Signal Input Timing Error	An error occurred in the input timing of the safety function signal.	Gr.1	No
A.EC8	Gate Drive Error 1	An error occurred in the gate drive circuit.	Gr.1	No
A.EC9	Gate Drive Error 2	An error occurred in the gate drive circuit.	Gr.1	No
A.Ed1	Command Option Module IF Communications Command Timeout Error	Processing of command from the Command Option Module was not completed.	Gr.2	Yes
A.F10	Power Supply Line Open Phase	The voltage was low for more than one second for phase R, S, or T when the main power supply was ON.	Gr.2	Yes

Continued on next page.

14.2 Alarm Displays

14.2.1 List of Alarms

Continued from previous page.

Alarm Number	Alarm Name	Alarm Meaning	Servo-motor Stopping Method	Alarm Reset Possible?
A.F50	Servomotor Main Circuit Cable Disconnection	The Servomotor did not operate or power was not supplied to the Servomotor even though the Servo ON command was input when the Servomotor was ready to receive it.	Gr.1	Yes
FL-1*	System Alarm	An internal program error occurred in the SERVOPACK.	-	No
FL-2*				
FL-3*				
FL-4*				
FL-5*				
FL-6*				
CPF00	Digital Operator Communications Error 1	Communications were not possible between the Digital Operator (model: JUSP-OP05A-1-E) and the SERVOPACK (e.g., a CPU error occurred).	-	No
CPF01	Digital Operator Communications Error 2			

* These alarms are not stored in the alarm history. They are only displayed on the panel display.

14.2.2 Troubleshooting Alarms

The causes of and corrections for the alarms are given in the following table. Contact your Yaskawa representative if you cannot solve a problem with the correction given in the table.

Alarm Number: Alarm Name	Possible Cause	Confirmation	Correction	Reference
A.020: Parameter Checksum Error (There is an error in the parameter data in the SER- VOPACK.)	The power supply voltage suddenly dropped.	Measure the power supply voltage.	Set the power supply voltage within the specified range, and initialize the parameter settings.	page 5-10
	The power supply was shut OFF while writing parameter settings.	Check the timing of shutting OFF the power supply.	Initialize the parameter settings and then set the parameters again.	
	The number of times that parameters were written exceeded the limit.	Check to see if the parameters were frequently changed from the host controller.	The SERVOPACK may be faulty. Replace the SERVOPACK. Reconsider the method for writing the parameters.	–
	A malfunction was caused by noise from the AC power supply, ground, static electricity, or other source.	Turn the power supply to the SERVOPACK OFF and ON again. If the alarm still occurs, noise may be the cause.	Implement countermeasures against noise.	page 4-6
	Gas, water drops, or cutting oil entered the SERVOPACK and caused failure of the internal components.	Check the installation conditions.	The SERVOPACK may be faulty. Replace the SERVOPACK.	–
	A failure occurred in the SERVOPACK.	Turn the power supply to the SERVOPACK OFF and ON again. If the alarm still occurs, the SERVOPACK may have failed.	The SERVOPACK may be faulty. Replace the SERVOPACK.	–
A.021: Parameter Format Error (There is an error in the parameter data format in the SERVOPACK.)	The software version of the SERVOPACK that caused the alarm is older than the software version of the parameters specified to write.	Read the product information to see if the software versions are the same. If they are different, it could be the cause of the alarm.	Write the parameters from another SERVOPACK with the same model and the same software version, and then turn the power OFF and ON again.	page 9-2
	A failure occurred in the SERVOPACK.	–	The SERVOPACK may be faulty. Replace the SERVOPACK.	–
A.022: System Checksum Error (There is an error in the parameter data in the SER- VOPACK.)	The power supply voltage suddenly dropped.	Measure the power supply voltage.	The SERVOPACK may be faulty. Replace the SERVOPACK.	–
	The power supply was shut OFF while setting a utility function.	Check the timing of shutting OFF the power supply.	The SERVOPACK may be faulty. Replace the SERVOPACK.	–
	A failure occurred in the SERVOPACK.	Turn the power supply to the SERVOPACK OFF and ON again. If the alarm still occurs, the SERVOPACK may have failed.	The SERVOPACK may be faulty. Replace the SERVOPACK.	–

Continued on next page.

14.2 Alarm Displays

14.2.2 Troubleshooting Alarms

Continued from previous page.

Alarm Number: Alarm Name	Possible Cause	Confirmation	Correction	Reference
A.024: System Alarm (An internal program error occurred in the SERVOPACK.)	A failure occurred in the SERVOPACK.	–	The SERVOPACK may be faulty. Replace the SERVOPACK.	–
A.025: System Alarm (An internal program error occurred in the SERVOPACK.)	A failure occurred in the SERVOPACK.	–	The SERVOPACK may be faulty. Replace the SERVOPACK.	–
A.030: Main Circuit Detector Error	A failure occurred in the SERVOPACK.	–	The SERVOPACK may be faulty. Replace the SERVOPACK.	–
A.040: Parameter Setting Error (A parameter setting is outside of the setting range.)	The SERVOPACK and Servomotor capacities do not match each other.	Check the combination of the SERVOPACK and Servomotor capacities.	Select a proper combination of SERVOPACK and Servomotor capacities.	page 1-13
	The motor parameter file was not written to the linear encoder. (This applies only when not using a Serial Converter Unit.)	Check to see if the motor parameter file was written to the linear encoder.	Write the motor parameter file to the linear encoder.	page 5-18
	A failure occurred in the SERVOPACK.	–	The SERVOPACK may be faulty. Replace the SERVOPACK.	–
	A parameter setting is outside of the setting range.	Check the setting ranges of the parameters that have been changed.	Set the parameters to values within the setting ranges.	–
	The electronic gear ratio is outside of the setting range.	Check the electronic gear ratio. The ratio must be within the following range: $0.001 < (Pn20E/Pn210) < 64,000$.	Set the electronic gear ratio in the following range: $0.001 < (Pn20E/Pn210) < 64,000$.	page 5-41
A.041: Encoder Output Pulse Setting Error	The setting of Pn212 (Encoder Output Pulses) or Pn281 (Encoder Output Resolution) is outside of the setting range or does not satisfy the setting conditions.	Check the setting of Pn212 or Pn281.	Set Pn212 or Pn281 to an appropriate value.	page 6-14

Continued on next page.

Continued from previous page.

Alarm Number: Alarm Name	Possible Cause	Confirmation	Correction	Reference
A.042: Parameter Combination Error	The speed of program jogging went below the setting range when the electronic gear ratio (Pn20E/Pn210) or the Servomotor was changed.	Check to see if the detection conditions* ¹ are satisfied.	Decrease the setting of the electronic gear ratio (Pn20E/Pn210).	page 5-41
	The speed of program jogging went below the setting range when Pn533 or Pn585 (Program Jogging Speed) was changed.	Check to see if the detection conditions* ¹ are satisfied.	Increase the setting of Pn533 or Pn585.	page 7-12
	The movement speed of advanced autotuning went below the setting range when the electronic gear ratio (Pn20E/Pn210) or the Servomotor was changed.	Check to see if the detection conditions* ² are satisfied.	Decrease the setting of the electronic gear ratio (Pn20E/Pn210).	page 5-41
A.044: Semi-Closed/ Fully-Closed Loop Control Parameter Setting Error	The setting of the Fully-Closed Module does not match the setting of Pn002 = n.X□□□ (External Encoder Usage).	Check the setting of Pn002 = n.X□□□.	Make sure that the setting of the Fully-closed Module agrees with the setting of Pn002 = n.X□□□.	page 10-6
A.04A: Parameter Setting Error 2	The setting of a system reserved parameter was changed.	–	Change the following reserved parameters to the default settings. Pn200.2, Pn207.1, Pn50A.0, Pn50A.1, Pn50A.2, Pn50C, and Pn50D	–
A.050: Combination Error (The capacities of the SERVOPACK and Servomotor do not match.)	The SERVOPACK and Servomotor capacities do not match each other.	Confirm that the following condition is met: $1/4 \leq (\text{Servomotor capacity}/\text{SERVOPACK capacity}) \leq 4$	Select a proper combination of the SERVOPACK and Servomotor capacities.	page 1-13
	A failure occurred in the encoder.	Replace the encoder and check to see if the alarm still occurs.	Replace the Servomotor or encoder.	–
	A failure occurred in the SERVOPACK.	–	The SERVOPACK may be faulty. Replace the SERVOPACK.	–
A.051: Unsupported Device Alarm	The motor parameter file was not written to the linear encoder. (This applies only when not using a Serial Converter Unit.)	Check to see if the motor parameter file was written to the linear encoder.	Write the motor parameter file to the linear encoder.	page 5-18
	An unsupported Serial Converter Unit or encoder (e.g., an external encoder) is connected to the SERVOPACK.	Check the product combination specifications.	Change to a correct combination of models.	–

Continued on next page.

14.2 Alarm Displays

14.2.2 Troubleshooting Alarms

Continued from previous page.

Alarm Number: Alarm Name	Possible Cause	Confirmation	Correction	Reference
A.070: Motor Type Change Detected (The connected motor is a different type of motor from the previously connected motor.)	A Rotary Servomotor was removed and a Linear Servomotor was connected.	–	Set the parameters for a Linear Servomotor and reset the motor type alarm. Then, turn the power supply to the SERVOPACK OFF and ON again.	page 14-48
	A Linear Servomotor was removed and a Rotary Servomotor was connected.	–	Set the parameters for a Rotary Servomotor and reset the motor type alarm. Then, turn the power supply to the SERVOPACK OFF and ON again.	page 14-48
A.080: Linear Encoder Pitch Setting Error	The setting of Pn282 (Linear Encoder Pitch) has not been changed from the default setting.	Check the setting of Pn282.	Correct the setting of Pn282.	page 5-17
A.0b0: Invalid Servo ON Command Alarm	A Servo ON command (Enable = 1) was input from the host controller after a utility function that turns ON the Servomotor was executed.	–	Turn the power supply to the SERVOPACK OFF and ON again. Or, execute a software reset.	page 6-24

Continued on next page.

Continued from previous page.

Alarm Number: Alarm Name	Possible Cause	Confirmation	Correction	Reference
A.100: Overcurrent Detected (An overcurrent flowed through the power trans- former or the heat sink overheated.)	The Main Circuit Cable is not wired correctly or there is faulty contact.	Check the wiring.	Correct the wiring.	page 4-24
	There is a short-circuit or ground fault in a Main Circuit Cable.	Check for short-circuits across Servomotor phases U, V, and W, or between the ground and Servomotor phases U, V, and W.	The cable may be short-circuited. Replace the cable.	
	There is a short-circuit or ground fault inside the Servomotor.	Check for short-circuits across Servomotor phases U, V, and W, or between the ground and Servomotor phases U, V, or W.	The Servomotor may be faulty. Replace the Servomotor.	
	There is a short-circuit or ground fault inside the SERVOPACK.	Check for short-circuits across the Servomotor connection terminals U, V, and W on the SERVOPACK, or between the ground and terminals U, V, or W.	The SERVOPACK may be faulty. Replace the SERVOPACK.	
	The regenerative resistor is not wired correctly or there is faulty contact.	Check the wiring.	Correct the wiring.	page 4-21
	The dynamic brake (DB, emergency stop executed from the SERVOPACK) was frequently activated, or a DB overload alarm occurred.	Check the power consumed by the DB resistor to see how frequently the DB is being used. Or, check the alarm display to see if a DB overload alarm (A.730 or A.731) has occurred.	Change the SERVOPACK model, operating methods, or the mechanisms so that the dynamic brake does not need to be used so frequently.	-
	The regenerative processing capacity was exceeded.	Check the regenerative load ratio in the SigmaWin+ Motion Monitor Tab Page to see how frequently the regenerative resistor is being used.	Recheck the operating conditions and load.	*3
	The SERVOPACK regenerative resistance is too small.	Check the regenerative load ratio in the SigmaWin+ Motion Monitor Tab Page to see how frequently the regenerative resistor is being used.	Change the regenerative resistance to a value larger than the SERVOPACK minimum allowable resistance.	

Continued on next page.

14.2 Alarm Displays

14.2.2 Troubleshooting Alarms

Continued from previous page.

Alarm Number: Alarm Name	Possible Cause	Confirmation	Correction	Reference
A.100: Overcurrent Detected (An overcurrent flowed through the power trans- former or the heat sink overheated.)	A heavy load was applied while the Ser- vomotor was stopped or running at a low speed.	Check to see if the operating conditions exceed Servo Drive specifications.	Reduce the load applied to the Servomotor. Or, increase the operating speed.	-
	A malfunction was caused by noise.	Improve the noise envi- ronment, e.g. by improving the wiring or installation conditions, and check to see if the alarm still occurs.	Implement countermea- sures against noise, such as correct wiring of the FG. Use an FG wire size equivalent to the SERVO- PACK's main circuit wire size.	-
	A failure occurred in the SERVOPACK.	-	Turn the power supply to the SERVOPACK OFF and ON again. If an alarm still occurs, the SERVOPACK may be faulty. Replace the SERVOPACK.	-
A.101: Motor Overcurrent Detected (The current to the motor exceeded the allowable cur- rent.)	The Main Circuit Cable is not wired correctly or there is faulty contact.	Check the wiring.	Correct the wiring.	page 4-24
	There is a short-circuit or ground fault in a Main Circuit Cable.	Check for short-circuits across cable phases U, V, and W, or between the ground and cable phases U, V, and W.	The cable may be short- circuited. Replace the cable.	
	There is a short-circuit or ground fault inside the Servomotor.	Check for short-circuits across Servomotor phases U, V, and W, or between the ground and Servomotor phases U, V, or W.	The Servomotor may be faulty. Replace the Servo- motor.	
	There is a short-circuit or ground fault inside the SERVOPACK.	Check for short-circuits across the Servomotor connection terminals U, V, and W on the SER- VOPACK, or between the ground and termi- nals U, V, or W.	The SERVOPACK may be faulty. Replace the SER- VOPACK.	
	A heavy load was applied while the Ser- vomotor was stopped or running at a low speed.	Check to see if the operating conditions exceed Servo Drive specifications.	Reduce the load applied to the Servomotor. Or, increase the operating speed.	-
	A malfunction was caused by noise.	Improve the noise envi- ronment, e.g. by improving the wiring or installation conditions, and check to see if the alarm still occurs.	Implement countermea- sures against noise, such as correct wiring of the FG. Use an FG wire size equivalent to the SERVO- PACK's main circuit wire size.	-
	A failure occurred in the SERVOPACK.	-	Turn the power supply to the SERVOPACK OFF and ON again. If an alarm still occurs, the SERVOPACK may be faulty. Replace the SERVOPACK.	-

Continued on next page.

Continued from previous page.

Alarm Number: Alarm Name	Possible Cause	Confirmation	Correction	Reference
A.300: Regeneration Error	Pn600 (Regenerative Resistor Capacity) is not set to 0 and an External Regenerative Resistor is not connected to one of the following SERVO-PACKs: SGD7S-R70A, -R90A, -1R6A, -2R8A, -R70F, -R90F, -2R1F, or -2R8F.	Check to see if an External Regenerative Resistor is connected and check the setting of Pn600.	Connect an External Regenerative Resistor, or set Pn600 (Regenerative Resistor Capacity) to 0 (setting unit: $\times 10$ W) if no Regenerative Resistor is required.	page 5-51
	A Regenerative Resistor is not connected to one of the following SERVOPACKs: SGD7S-470A, -550A, -590A, or -780A.	Check to see if an External Regenerative Resistor or a Regenerative Resistor Unit is connected and check the setting of Pn600.	Connect an External Regenerative Resistor and set Pn600 to an appropriate value, or connect a Regenerative Resistor Unit and set Pn600 to 0.	
	The jumper between the regenerative resistor terminals (B2 and B3) was removed from one of the following SERVO-PACKs: SGD7S-3R8A, -5R5A, -7R6A, -120A, -180A, -200A, or -330A.	Check to see if the jumper is connected between power supply terminals B2 and B3.	Correctly connect a jumper.	page 4-21
	The External Regenerative Resistor is not wired correctly, or was removed or disconnected.	Check the wiring of the External Regenerative Resistor.	Correct the wiring of the External Regenerative Resistor.	
	A failure occurred in the SERVOPACK.	–	While the main circuit power supply is OFF, turn the control power supply to the SERVOPACK OFF and ON again. If an alarm still occurs, the SERVOPACK may be faulty. Replace the SERVOPACK.	–

Continued on next page.

Continued from previous page.

Alarm Number: Alarm Name	Possible Cause	Confirmation	Correction	Reference
A.320: Regenerative Overload	The power supply voltage exceeded the specified range.	Measure the power supply voltage.	Set the power supply voltage within the specified range.	–
	The external regenerative resistance value or regenerative resistor capacity is too small, or there has been a continuous regeneration state.	Check the operating conditions or the capacity using the SigmaJunmaSize+ Capacity Selection Software or other means.	Change the regenerative resistance value or capacity. Reconsider the operating conditions using the SigmaJunmaSize+ Capacity Selection Software or other means.	*3
	There was a continuous regeneration state because a negative load was continuously applied.	Check the load applied to the Servomotor during operation.	Reconsider the system including the servo, machine, and operating conditions.	–
	The setting of Pn600 (Regenerative Resistor Capacity) is smaller than the capacity of the External Regenerative Resistor.	Check to see if a Regenerative Resistor is connected and check the setting of Pn600.	Correct the setting of Pn600.	page 5-51
	The setting of Pn603 (Regenerative Resistor Capacity) is smaller than the capacity of the External Regenerative Resistor.	Check to see if a Regenerative Resistor is connected and check the setting of Pn603.	Correct the setting of Pn603.	page 5-51
	The external regenerative resistance is too high.	Check the regenerative resistance.	Change the regenerative resistance to a correct value or use an External Regenerative Resistor of an appropriate capacity.	*3
	A failure occurred in the SERVOPACK.	–	The SERVOPACK may be faulty. Replace the SERVOPACK.	–

Continued on next page.

Continued from previous page.

Alarm Number: Alarm Name	Possible Cause	Confirmation	Correction	Reference
A.330: Main Circuit Power Supply Wiring Error (Detected when the main circuit power supply is turned ON.)	The regenerative resistor was disconnected when the SERVOPACK power supply voltage was high.	Measure the resistance of the regenerative resistor using a measuring instrument.	If you are using the regenerative resistor built into the SERVOPACK, replace the SERVOPACK. If you are using an External Regenerative Resistor, replace the External Regenerative Resistor.	–
	DC power was supplied when an AC power supply input was specified in the settings.	Check the power supply to see if it is a DC power supply.	Correct the power supply setting to match the actual power supply.	page 5-13
	AC power was supplied when a DC power supply input was specified in the settings.	Check the power supply to see if it is an AC power supply.	Correct the power supply setting to match the actual power supply.	
	Pn600 (Regenerative Resistor Capacity) is not set to 0 and an External Regenerative Resistor is not connected to one of the following SERVO-PACKS: SGD7S-R70A, -R90A, -1R6A, -2R8A, -R70F, -R90F, -2R1F, or -2R8F.	Check it see if an External Regenerative Resistor is connected and check the setting of Pn600.	Connect an External Regenerative Resistor, or if an External Regenerative Resistor is not required, set Pn600 to 0.	page 4-21, page 5-51
	A failure occurred in the SERVOPACK.	–	The SERVOPACK may be faulty. Replace the SERVOPACK.	–

Continued on next page.

14.2 Alarm Displays

14.2.2 Troubleshooting Alarms

Continued from previous page.

Alarm Number: Alarm Name	Possible Cause	Confirmation	Correction	Reference
A.400: Overvoltage (Detected in the main circuit power supply section of the SERVOPACK.)	The power supply voltage exceeded the specified range.	Measure the power supply voltage.	Set the AC/DC power supply voltage within the specified range.	-
	The power supply is not stable or was influenced by a lightning surge.	Measure the power supply voltage.	Improve the power supply conditions, install a surge absorber, and then turn the power supply OFF and ON again. If an alarm still occurs, the SERVOPACK may be faulty. Replace the SERVOPACK.	-
	The voltage for AC power supply was too high during acceleration or deceleration.	Check the power supply voltage and the speed and torque during operation.	Set the AC power supply voltage within the specified range.	-
	The external regenerative resistance is too high for the operating conditions.	Check the operating conditions and the regenerative resistance.	Select a regenerative resistance value that is appropriate for the operating conditions and load.	*3
	The moment of inertia ratio or mass ratio exceeded the allowable value.	Check to see if the moment of inertia ratio or mass ratio is within the allowable range.	Increase the deceleration time, or reduce the load.	-
	A failure occurred in the SERVOPACK.	-	While the main circuit power supply is OFF, turn the control power supply to the SERVOPACK OFF and ON again. If an alarm still occurs, the SERVOPACK may be faulty. Replace the SERVOPACK.	-
A.410: Undervoltage (Detected in the main circuit power supply section of the SERVOPACK.)	The power supply voltage went below the specified range.	Measure the power supply voltage.	Set the power supply voltage within the specified range.	-
	The power supply voltage dropped during operation.	Measure the power supply voltage.	Increase the power supply capacity.	-
	A momentary power interruption occurred.	Measure the power supply voltage.	If you have changed the setting of Pn509 (Momentary Power Interruption Hold Time), decrease the setting.	page 6-5
	The SERVOPACK fuse is blown out.	-	Replace the SERVOPACK and connect a reactor to the DC reactor terminals (⊖1 and ⊖2) on the SERVOPACK.	-
	A failure occurred in the SERVOPACK.	-	The SERVOPACK may be faulty. Replace the SERVOPACK.	-

Continued on next page.

Continued from previous page.

Alarm Number: Alarm Name	Possible Cause	Confirmation	Correction	Reference
A.510: Overspeed (The motor exceeded the maximum speed.)	The order of phases U, V, and W in the motor wiring is not correct.	Check the wiring of the Servomotor.	Make sure that the Servomotor is correctly wired.	–
	A reference value that exceeded the over-speed detection level was input.	Check the input reference.	Reduce the reference value. Or, adjust the gain.	–
	The motor exceeded the maximum speed.	Check the waveform of the motor speed.	Reduce the speed reference input gain and adjust the servo gain. Or, reconsider the operating conditions.	
	A failure occurred in the SERVOPACK.	–	The SERVOPACK may be faulty. Replace the SERVOPACK.	–
A.511: Encoder Output Pulse Overspeed	The encoder output pulse frequency exceeded the limit.	Check the encoder output pulse setting.	Decrease the setting of Pn212 (Encoder Output Pulses) or Pn281 (Encoder Output Resolution).	page 6-14
	The encoder output pulse frequency exceeded the limit because the motor speed was too high.	Check the encoder output pulse setting and the motor speed.	Reduce the motor speed.	–
A.520: Vibration Alarm	Abnormal oscillation was detected in the motor speed.	Check for abnormal motor noise, and check the speed and torque waveforms during operation.	Reduce the motor speed. Or, reduce the setting of Pn100 (Speed Loop Gain).	page 8-79
	The setting of Pn103 (Moment of Inertia Ratio) is greater than the actual moment of inertia or was greatly changed.	Check the moment of inertia ratio or mass ratio.	Set Pn103 (Moment of Inertia Ratio) to an appropriate value.	page 8-15
	The vibration detection level (Pn312 or Pn384) is not suitable.	Check that the vibration detection level (Pn312 or Pn384) is suitable.	Set a suitable vibration detection level (Pn312 or Pn384).	page 6-26
A.521: Autotuning Alarm (Vibration was detected while executing the custom tuning, Easy FFT, or the tuning-less function.)	The Servomotor vibrated considerably while performing the tuning-less function.	Check the waveform of the motor speed.	Reduce the load so that the moment of inertia ratio is within the allowable value. Or increase the load level or reduce the rigidity level in the tuning-less level settings.	page 8-12
	The Servomotor vibrated considerably while performing custom tuning or Easy FFT.	Check the waveform of the motor speed.	Check the operating procedure of corresponding function and implement corrections.	page 8-42, page 8-95
A.550: Maximum Speed Setting Error	The setting of Pn385 (Maximum Motor Speed) is greater than the maximum speed.	Check the setting of Pn385, and the upper limits of the maximum motor speed setting and the encoder output resolution setting.	Set Pn385 to a value that does not exceed the maximum motor speed.	page 6-8

Continued on next page.

14.2 Alarm Displays

14.2.2 Troubleshooting Alarms

Continued from previous page.

Alarm Number: Alarm Name	Possible Cause	Confirmation	Correction	Reference
A.710: Instantaneous Overload A.720: Continuous Overload	The wiring is not correct or there is a faulty contact in the motor or encoder wiring.	Check the wiring.	Make sure that the Servomotor and encoder are correctly wired.	page 4-24
	Operation was performed that exceeded the overload protection characteristics.	Check the motor overload characteristics and Run command.	Reconsider the load and operating conditions. Or, increase the motor capacity.	–
	An excessive load was applied during operation because the Servomotor was not driven due to mechanical problems.	Check the operation reference and motor speed.	Correct the mechanical problem.	–
	There is an error in the setting of Pn282 (Linear Encoder Pitch).	Check the setting of Pn282.	Correct the setting of Pn282.	page 5-17
	There is an error in the setting of Pn080 = n.□□X□ (Motor Phase Selection).	Check the setting of Pn080 = n.□□X□.	Set Pn080 = n.□□X□ to an appropriate value.	page 5-22
	A failure occurred in the SERVOPACK.	–	The SERVOPACK may be faulty. Replace the SERVOPACK.	–
A.730 and A.731: Dynamic Brake Overload (An excessive power consumption by the dynamic brake was detected.)	The Servomotor was rotated by an external force.	Check the operation status.	Implement measures to ensure that the motor will not be rotated by an external force.	–
	When the Servomotor was stopped with the dynamic brake, the rotational or linear kinetic energy exceeded the capacity of the dynamic brake resistor.	Check the power consumed by the DB resistor to see how frequently the DB is being used.	Reconsider the following: <ul style="list-style-type: none"> • Reduce the Servomotor command speed. • Decrease the moment of inertia ratio or mass ratio. • Reduce the frequency of stopping with the dynamic brake. 	–
	A failure occurred in the SERVOPACK.	–	The SERVOPACK may be faulty. Replace the SERVOPACK.	–
A.740: Inrush Current Limiting Resistor Overload (The main circuit power supply was frequently turned ON and OFF.)	The allowable frequency of the inrush current limiting resistor was exceeded when the main circuit power supply was turned ON and OFF.	–	Reduce the frequency of turning the main circuit power supply ON and OFF.	–
	A failure occurred in the SERVOPACK.	–	The SERVOPACK may be faulty. Replace the SERVOPACK.	–

Continued on next page.

Continued from previous page.

Alarm Number: Alarm Name	Possible Cause	Confirmation	Correction	Reference
A.7A1: Internal Temperature Error 1 (Control Board Temperature Error)	The surrounding temperature is too high.	Check the surrounding temperature using a thermostat. Or, check the operating status with the SERVOPACK installation environment monitor.	Decrease the surrounding temperature by improving the SERVOPACK installation conditions.	page 3-7
	An overload alarm was reset by turning OFF the power supply too many times.	Check the alarm display to see if there is an overload alarm.	Change the method for resetting the alarm.	–
	There was an excessive load or operation was performed that exceeded the regenerative processing capacity.	Use the accumulated load ratio to check the load during operation, and use the regenerative load ratio to check the regenerative processing capacity.	Reconsider the load and operating conditions.	–
	The SERVOPACK installation orientation is not correct or there is insufficient space around the SERVOPACK.	Check the SERVOPACK installation conditions.	Install the SERVOPACK according to specifications.	page 3-4, page 3-6
	A failure occurred in the SERVOPACK.	–	The SERVOPACK may be faulty. Replace the SERVOPACK.	–
A.7A2: Internal Temperature Error 2 (Power Board Temperature Error)	The surrounding temperature is too high.	Check the surrounding temperature using a thermostat. Or, check the operating status with the SERVOPACK installation environment monitor.	Decrease the surrounding temperature by improving the SERVOPACK installation conditions.	page 3-7
	An overload alarm was reset by turning OFF the power supply too many times.	Check the alarm display to see if there is an overload alarm.	Change the method for resetting the alarm.	–
	There was an excessive load or operation was performed that exceeded the regenerative processing capacity.	Use the accumulated load ratio to check the load during operation, and use the regenerative load ratio to check the regenerative processing capacity.	Reconsider the load and operating conditions.	–
	The SERVOPACK installation orientation is not correct or there is insufficient space around the SERVOPACK.	Check the SERVOPACK installation conditions.	Install the SERVOPACK according to specifications.	page 3-4, page 3-6
	A failure occurred in the SERVOPACK.	–	The SERVOPACK may be faulty. Replace the SERVOPACK.	–
A.7A3: Internal Temperature Sensor Error (An error occurred in the temperature sensor circuit.)	A failure occurred in the SERVOPACK.	–	The SERVOPACK may be faulty. Replace the SERVOPACK.	–

Continued on next page.

14.2 Alarm Displays

14.2.2 Troubleshooting Alarms

Continued from previous page.

Alarm Number: Alarm Name	Possible Cause	Confirmation	Correction	Reference
A.7Ab: SERVOPACK Built-in Fan Stopped	The fan inside the SERVOPACK stopped.	Check for foreign matter inside the SERVOPACK.	Remove foreign matter from the SERVOPACK. If an alarm still occurs, the SERVOPACK may be faulty. Replace the SERVOPACK.	–
A.810: Encoder Backup Alarm (Detected at the encoder, but only when an absolute encoder is used.)	The power to the absolute encoder was turned ON for the first time.	Check to see if the power supply was turned ON for the first time.	Set up the encoder.	page 5-45
	The Encoder Cable was disconnected and then connected again.	Check to see if the power supply was turned ON for the first time.	Check the encoder connection and set up the encoder.	
	Power is not being supplied both from the control power supply (+5 V) from the SERVOPACK and from the battery power supply.	Check the encoder connector battery and the connector status.	Replace the battery or implement similar measures to supply power to the encoder, and set up the encoder.	–
	A failure occurred in the absolute encoder.	–	If the alarm still occurs after setting up the encoder again, replace the Servomotor.	–
A.820: Encoder Checksum Alarm (Detected at the encoder.)	A failure occurred in the SERVOPACK.	–	The SERVOPACK may be faulty. Replace the SERVOPACK.	–
	A failure occurred in the encoder.	–	<ul style="list-style-type: none"> ■ When Using an Absolute Encoder Set up the encoder again. If the alarm still occurs, the Servomotor may be faulty. Replace the Servomotor. ■ When Using a Single-turn Absolute Encoder or Incremental Encoder <ul style="list-style-type: none"> • The Servomotor may be faulty. Replace the Servomotor. • The linear encoder may be faulty. Replace the linear encoder. 	page 5-45
	A failure occurred in the SERVOPACK.	–	The SERVOPACK may be faulty. Replace the SERVOPACK.	–
A.830: Encoder Battery Alarm (The absolute encoder battery voltage was lower than the specified level.)	The battery connection is faulty or a battery is not connected.	Check the battery connection.	Correct the battery connection.	page 4-25
	The battery voltage is lower than the specified value (2.7 V).	Measure the battery voltage.	Replace the battery.	page 14-3
	A failure occurred in the SERVOPACK.	–	The SERVOPACK may be faulty. Replace the SERVOPACK.	–

Continued on next page.

Continued from previous page.

Alarm Number: Alarm Name	Possible Cause	Confirmation	Correction	Reference
A.840: Encoder Data Alarm (Detected at the encoder.)	The encoder malfunc- tioned.	–	Turn the power supply to the SERVOPACK OFF and ON again. If an alarm still occurs, the Servomotor or linear encoder may be faulty. Replace the Servo- motor or linear encoder.	–
	An error occurred in reading data from the linear encoder.	–	The linear encoder is not mounted within an appro- priate tolerance. Correct the mounting of the linear encoder.	–
	Excessive speed occurred in the linear encoder.	–	Control the motor speed within the range specified by the linear encoder manufacturer and then turn ON the control power supply.	–
	The encoder malfunc- tioned due to noise.	–	Correct the wiring around the encoder by separating the Encoder Cable from the Servomotor Main Cir- cuit Cable or by ground- ing the encoder.	–
	The polarity sensor is not wired correctly.	Check the wiring of the polarity sensor.	Correct the wiring of the polarity sensor.	–
	The polarity sensor failed.	–	Replace the polarity sen- sor.	–
A.850: Encoder Over- speed (Detected when a Rotary Servomo- tor, Absolute Lin- ear Encoder, or Direct Drive Ser- vomotor is con- nected. However, SGMCS Incre- mental Encoder specifications are excluded.) (Detected at the encoder end.)	Rotary Servomotor: The Servomotor speed was 200 min^{-1} or higher when the control power supply was turned ON.	Check the motor speed when the power supply is turned ON.	Reduce the Servomotor speed to a value less than 200 min^{-1} , and turn ON the control power supply.	–
	Linear Servomotor: The Servomotor exceeded the speci- fied speed when the control power supply was turned ON.	Check the motor speed when the power supply is turned ON.	Control the motor speed within the range specified by the linear encoder manufacturer and then turn ON the control power supply.	–
	A failure occurred in the encoder.	–	Turn the power supply to the SERVOPACK OFF and ON again. If an alarm still occurs, the Servomotor or linear encoder may be faulty. Replace the Servo- motor or linear encoder.	–
	A failure occurred in the SERVOPACK.	–	Turn the power supply to the SERVOPACK OFF and ON again. If an alarm still occurs, the SERVOPACK may be faulty. Replace the SERVOPACK.	–

Continued on next page.

14.2 Alarm Displays

14.2.2 Troubleshooting Alarms

Continued from previous page.

Alarm Number: Alarm Name	Possible Cause	Confirmation	Correction	Reference
A.860: Encoder Over-heated (Detected when a Rotary Servomotor, Absolute Linear Encoder, or Direct Drive Servomotor is connected. However this alarm is not detected for SGMCS Servomotors with Incremental Encoders.) (Detected at the encoder.)	The surrounding air temperature around the Servomotor is too high.	Measure the surrounding air temperature around the Servomotor.	Reduce the surrounding air temperature of the Servomotor to 40°C or less.	-
	The Servomotor load is greater than the rated load.	Use the accumulated load ratio to check the load.	Operate the Servo Drive so that the motor load remains within the specified range.	page 9-3
	A failure occurred in the encoder.	-	Turn the power supply to the SERVOPACK OFF and ON again. If an alarm still occurs, the Servomotor or absolute linear encoder may be faulty. Replace the Servomotor or absolute linear encoder.	-
	A failure occurred in the SERVOPACK.	-	Turn the power supply to the SERVOPACK OFF and ON again. If an alarm still occurs, the SERVOPACK may be faulty. Replace the SERVOPACK.	-
A.861: Motor Over-heated	The surrounding temperature around the Servomotor is too high.	Measure the surrounding temperature around the Servomotor.	Reduce the surrounding air temperature of the Servomotor to 40° or less.	-
	The motor load is greater than the rated load.	Check the load with the accumulated load ratio on the Motion Monitor Tab Page on the SigmaWin+.	Operate the Servo Drive so that the motor load remains within the specified range.	page 9-3
	A failure occurred in the Serial Converter Unit.	-	Turn the power supply to the SERVOPACK OFF and ON again. If an alarm still occurs, the Serial Converter Unit may be faulty. Replace the Serial Converter Unit.	-
	A failure occurred in the SERVOPACK.	-	Turn the power supply to the SERVOPACK OFF and ON again. If an alarm still occurs, the SERVOPACK may be faulty. Replace the SERVOPACK.	-

Continued on next page.

Continued from previous page.

Alarm Number: Alarm Name	Possible Cause	Confirmation	Correction	Reference
A.862: Overheat Alarm	The surrounding temperature is too high.	Check the surrounding temperature using a thermostat.	Lower the surrounding temperature by improving the installation conditions of the Linear Servomotor or the machine.	–
	The overheat protection input signal line is disconnected or short-circuited.	Check the input voltage of the overheat protection input on the Motion Monitor Tab Page on the SigmaWin+.	Repair the line for the overheat protection input signal.	–
	An overload alarm was reset by turning OFF the power supply too many times.	Check the alarm display to see if there is an overload alarm.	Change the method for resetting the alarm.	–
	Operation was performed under an excessive load.	Use the accumulated load ratio to check the load during operation.	Reconsider the load and operating conditions.	–
	A failure occurred in the SERVOPACK.	–	The SERVOPACK may be faulty. Replace the SERVOPACK.	–
	The temperature detection circuit in the Linear Servomotor is faulty or the sensor attached to the machine is faulty.	–	The temperature detection circuit in the Linear Servomotor may be faulty or the sensor attached to the machine may be faulty. Replace the Linear Servomotor or repair the sensor attached to the machine.	–
A.890: Encoder Scale Error	A failure occurred in the linear encoder.	–	The linear encoder may be faulty. Replace the linear encoder.	–
A.891: Encoder Module Error	A failure occurred in the linear encoder.	–	Turn the power supply to the SERVOPACK OFF and ON again. If an alarm still occurs, the linear encoder may be faulty. Replace the linear encoder.	–
A.8A0: External Encoder Error	Setting the origin of the absolute linear encoder failed because the motor moved.	Before you set the origin, use the fully-closed feedback pulse counter to confirm that the motor is not moving.	The motor must be stopped while setting the origin position.	page 12-3
	A failure occurred in the external encoder.	–	Replace the external encoder.	–
A.8A1: External Encoder Module Error	A failure occurred in the external encoder.	–	Replace the external encoder.	–
	A failure occurred in the Serial Converter Unit.	–	Replace the Serial Converter Unit.	–
A.8A2: External Incremental Encoder Sensor Error	A failure occurred in the external encoder.	–	Replace the external encoder.	–
A.8A3: External Absolute Encoder Position Error	A failure occurred in the external absolute encoder.	–	The external absolute encoder may be faulty. Refer to the encoder manufacturer's instruction manual for corrections.	–

Continued on next page.

14.2 Alarm Displays

14.2.2 Troubleshooting Alarms

Continued from previous page.

Alarm Number: Alarm Name	Possible Cause	Confirmation	Correction	Reference
A.8A5: External Encoder Overspeed	An overspeed error was detected in the external encoder.	Check the maximum speed of the external encoder.	Keep the external encoder below its maximum speed.	-
A.8A6: External Encoder Overheated	An overheating error was detected in the external encoder.	-	Replace the external encoder.	-
A.AA0: Reset Failure (A failure occurred in resetting the Module.)	An error occurred when saving parameters in non-volatile memory.	-	Initialize the parameters.	page 5-10
	The DeviceNet Module failed.	-	Replace the DeviceNet Module.	-
A.AE6: Address Error	The same node address already exists on the DeviceNet network.	Check the node address that was set.	Change the node address.	page 13-3
A.AE8: Rotary Switch Setting Error (There is an error in the node address or baud rate setting.)	There is an error in the rotary switch settings.	Check the rotary switch settings.	Correct the rotary switch settings.	page 13-3
A.AE9: Bus-OFF Error (A Bus-OFF error occurred in DeviceNet communications.)	Terminating resistors are not connected.	Check network termination.	Connect terminating resistors to the ends of the network.	page 4-39
	The network cable length exceeds the maximum network cable length.	Check the network cable length.	Correct the network installation.	
	DeviceNet connectors are not making proper contact.	Check the DeviceNet connectors to see if they are making proper contact.	Tighten the connectors.	-
	The DeviceNet Module failed.	-	Replace the DeviceNet Module.	-
A.b33: Current Detection Error 3	A failure occurred in the current detection circuit.	-	Turn the power supply to the SERVOPACK OFF and ON again. If an alarm still occurs, the SERVOPACK may be faulty. Replace the SERVOPACK.	-
A.bF0: System Alarm 0	A failure occurred in the SERVOPACK.	-	Turn the power supply to the SERVOPACK OFF and ON again. If an alarm still occurs, the SERVOPACK may be faulty. Replace the SERVOPACK.	-
A.bF1: System Alarm 1	A failure occurred in the SERVOPACK.	-	Turn the power supply to the SERVOPACK OFF and ON again. If an alarm still occurs, the SERVOPACK may be faulty. Replace the SERVOPACK.	-
A.bF2: System Alarm 2	A failure occurred in the SERVOPACK.	-	Turn the power supply to the SERVOPACK OFF and ON again. If an alarm still occurs, the SERVOPACK may be faulty. Replace the SERVOPACK.	-

Continued on next page.

Continued from previous page.

Alarm Number: Alarm Name	Possible Cause	Confirmation	Correction	Reference
A.bF3: System Alarm 3	A failure occurred in the SERVOPACK.	—	Turn the power supply to the SERVOPACK OFF and ON again. If an alarm still occurs, the SERVOPACK may be faulty. Replace the SERVOPACK.	—
A.bF4: System Alarm 4	A failure occurred in the SERVOPACK.	—	Turn the power supply to the SERVOPACK OFF and ON again. If an alarm still occurs, the SERVOPACK may be faulty. Replace the SERVOPACK.	—
A.bF5: System Alarm 5	A failure occurred in the SERVOPACK.	—	Turn the power supply to the SERVOPACK OFF and ON again. If an alarm still occurs, the SERVOPACK may be faulty. Replace the SERVOPACK.	—
A.bF6: System Alarm 6	A failure occurred in the SERVOPACK.	—	Turn the power supply to the SERVOPACK OFF and ON again. If an alarm still occurs, the SERVOPACK may be faulty. Replace the SERVOPACK.	—
A.bF7: System Alarm 7	A failure occurred in the SERVOPACK.	—	Turn the power supply to the SERVOPACK OFF and ON again. If an alarm still occurs, the SERVOPACK may be faulty. Replace the SERVOPACK.	—
A.bF8: System Alarm 8	A failure occurred in the SERVOPACK.	—	Turn the power supply to the SERVOPACK OFF and ON again. If an alarm still occurs, the SERVOPACK may be faulty. Replace the SERVOPACK.	—
A.C10: Servomotor Out of Control (Detected when the servo is turned ON.)	The order of phases U, V, and W in the motor wiring is not correct.	Check the Servomotor wiring.	Make sure that the Servomotor is correctly wired.	—
	There is an error in the setting of Pn080 = n.□□X□ (Motor Phase Selection).	Check the setting of Pn080 = n.□□X□.	Set Pn080 = n.□□X□ to an appropriate value.	page 5-22
	A failure occurred in the encoder.	—	If the motor wiring is correct and an alarm still occurs after turning the power supply OFF and ON again, the Servomotor or linear encoder may be faulty. Replace the Servomotor or linear encoder.	—
	A failure occurred in the SERVOPACK.	—	Turn the power supply to the SERVOPACK OFF and ON again. If an alarm still occurs, the SERVOPACK may be faulty. Replace the SERVOPACK.	—

Continued on next page.

Continued from previous page.

Alarm Number: Alarm Name	Possible Cause	Confirmation	Correction	Reference
A.C20: Phase Detection Error	The linear encoder signal level is too low.	Check the voltage of the linear encoder signal.	Fine-tune the mounting of the scale head. Or, replace the linear encoder.	–
	The count-up direction of the linear encoder does not match the forward direction of the Moving Coil in the motor.	Check the setting of Pn080 = n.□□X□ (Motor Phase Selection). Check the installation orientation for the linear encoder and Moving Coil.	Change the setting of Pn080 = n.□□X□. Correctly reinstall the linear encoder or Moving Coil.	page 5-22
	The polarity sensor signal is being affected by noise.	–	Correct the FG wiring. Implement countermeasures against noise for the polarity sensor wiring.	–
	The setting of Pn282 (Linear Encoder Scale Pitch) is not correct.	Check the setting of Pn282 (Linear Encoder Scale Pitch).	Check the specifications of the linear encoder and set a correct value.	page 5-17
A.C21: Polarity Sensor Error	The polarity sensor is protruding from the Magnetic Way of the motor.	Check the polarity sensor.	Correctly reinstall the Moving Coil or Magnetic Way of the motor.	–
	The polarity sensor is not wired correctly.	Check the wiring of the polarity sensor.	Correct the wiring of the polarity sensor.	–
	The polarity sensor failed.	–	Replace the polarity sensor.	–
A.C22: Phase Information Disagreement	The SERVOPACK phase information is different from the linear encoder phase information.	–	Perform polarity detection.	page 5-27

Continued on next page.

Continued from previous page.

Alarm Number: Alarm Name	Possible Cause	Confirmation	Correction	Reference
A.C50: Polarity Detection Failure	The parameter settings are not correct.	Check the linear encoder specifications and feedback signal status.	The settings of Pn282 (Linear Encoder Pitch) and Pn080 = n.□□X□ (Motor Phase Selection) may not match the installation. Set the parameters to correct values.	page 5-17, page 5-22
	There is noise on the scale signal.	Check to make sure that the frame grounds of the Serial Converter Unit and Servomotor are connected to the FG terminal on the SERVOPACK and that the FG terminal on the SERVOPACK is connected to the frame ground on the power supply. And, confirm that the shield is properly processed on the Linear Encoder Cable. Check to see if the detection reference is repeatedly output in one direction.	Implement appropriate countermeasures against noise for the Linear Encoder Cable.	-
	An external force was applied to the Moving Coil of the motor.	-	The polarity cannot be properly detected if the detection reference is 0 and the speed feedback is not 0 because of an external force, such as cable tension, applied to the Moving Coil. Implement measures to reduce the external force so that the speed feedback goes to 0. If the external force cannot be reduced, increase the setting of Pn481 (Polarity Detection Speed Loop Gain).	-
	The linear encoder resolution is too low.	Check the linear encoder scale pitch to see if it is within 100 μm.	If the linear encoder scale pitch is 100 μm or higher, the SERVOPACK cannot detect the correct speed feedback. Use a linear encoder scale pitch with higher resolution. (We recommend a pitch of 40 μm or less.) Or, increase the setting of Pn485 (Polarity Detection Reference Speed). However, increasing the setting of Pn485 will increase the Servomotor movement range that is required for polarity detection.	-
A.C51: Overtravel Detected during Polarity Detection	The overtravel signal was detected during polarity detection.	Check the overtravel position.	Wire the overtravel signals. Execute polarity detection at a position where an overtravel signal would not be detected.	page 4-33

Continued on next page.

14.2 Alarm Displays

14.2.2 Troubleshooting Alarms

Continued from previous page.

Alarm Number: Alarm Name	Possible Cause	Confirmation	Correction	Reference
A.C52: Polarity Detection Not Completed	The servo was turned ON under the following circumstances. <ul style="list-style-type: none"> • When an absolute linear encoder was being used • When polarity detection was not completed 	–	Perform polarity detection.	page 5-25
A.C53: Out of Range of Motion for Polarity Detection	The travel distance exceeded the setting of Pn48E (Polarity Detection Range) in the middle of detection.	–	Increase the setting of Pn48E (Polarity Detection Range). Or, increase the setting of Pn481 (Polarity Detection Speed Loop Gain).	–
A.C54: Polarity Detection Failure 2	An external force was applied to the Servomotor.	–	Increase the setting of Pn495 (Polarity Detection Confirmation Force Reference). Increase the setting of Pn498 (Polarity Detection Allowable Error Range). Increasing the allowable error will also increase the motor temperature.	–
A.C80: Encoder Clear Error or Multiturn Limit Setting Error	A failure occurred in the encoder.	–	Turn the power supply to the SERVOPACK OFF and ON again. If an alarm still occurs, the Servomotor or linear encoder may be faulty. Replace the Servomotor or linear encoder.	–
	A failure occurred in the SERVOPACK.	–	Turn the power supply to the SERVOPACK OFF and ON again. If an alarm still occurs, the SERVOPACK may be faulty. Replace the SERVOPACK.	–

Continued on next page.

Continued from previous page.

Alarm Number: Alarm Name	Possible Cause	Confirmation	Correction	Reference
A.C90: Encoder Commu- nications Error	There is a faulty contact in the connector or the connector is not wired correctly for the encoder.	Check the condition of the encoder connector.	Reconnect the encoder connector and check the encoder wiring.	page 4-24
	There is a cable disconnection or short-circuit in the encoder. Or, the cable impedance is outside the specified values.	Check the condition of the Encoder Cable.	Use the Encoder Cable within the specified specifications.	–
	One of the following has occurred: corrosion caused by improper temperature, humidity, or gas, a short-circuit caused by entry of water drops or cutting oil, or faulty contact in connector caused by vibration.	Check the operating environment.	Improve the operating environmental, and replace the cable. If the alarm still occurs, replace the SERVOPACK.	page 3-2
	A malfunction was caused by noise.	–	Correct the wiring around the encoder by separating the Encoder Cable from the Servomotor Main Circuit Cable or by grounding the encoder.	page 4-6
	A failure occurred in the SERVOPACK.	–	Connect the SERVOPACK to another SERVOPACK, and turn ON the control power supply. If no alarm occurs, the SERVOPACK may be faulty. Replace the SERVOPACK.	–
A.C91: Encoder Commu- nications Posi- tion Data Acceleration Rate Error	Noise entered on the signal lines because the Encoder Cable is bent or the sheath is damaged.	Check the condition of the Encoder Cable and connectors.	Check the Encoder Cable to see if it is installed correctly.	page 4-9
	The Encoder Cable is bundled with a high-current line or installed near a high-current line.	Check the installation condition of the Encoder Cable.	Confirm that there is no surge voltage on the Encoder Cable.	–
	There is variation in the FG potential because of the influence of machines on the Servomotor side, such as a welder.	Check the installation condition of the Encoder Cable.	Properly ground the machine to separate it from the FG of the encoder.	–

Continued on next page.

14.2 Alarm Displays

14.2.2 Troubleshooting Alarms

Continued from previous page.

Alarm Number: Alarm Name	Possible Cause	Confirmation	Correction	Reference
A.C92: Encoder Commu- nications Timer Error	Noise entered on the signal line from the encoder.	–	Implement countermeasures against noise for the encoder wiring.	page 4-6
	Excessive vibration or shock was applied to the encoder.	Check the operating conditions.	Reduce machine vibration. Correctly install the Servomotor or linear encoder.	–
	A failure occurred in the encoder.	–	Turn the power supply to the SERVOPACK OFF and ON again. If an alarm still occurs, the Servomotor or linear encoder may be faulty. Replace the Servomotor or linear encoder.	–
	A failure occurred in the SERVOPACK.	–	Turn the power supply to the SERVOPACK OFF and ON again. If an alarm still occurs, the SERVOPACK may be faulty. Replace the SERVOPACK.	–
A.CA0: Encoder Parame- ter Error	A failure occurred in the encoder.	–	Turn the power supply to the SERVOPACK OFF and ON again. If an alarm still occurs, the Servomotor or linear encoder may be faulty. Replace the Servomotor or linear encoder.	–
	A failure occurred in the SERVOPACK.	–	Turn the power supply to the SERVOPACK OFF and ON again. If an alarm still occurs, the SERVOPACK may be faulty. Replace the SERVOPACK.	–

Continued on next page.

Continued from previous page.

Alarm Number: Alarm Name	Possible Cause	Confirmation	Correction	Reference
A.Cb0: Encoder Echo- back Error	The encoder is wired incorrectly or there is faulty contact.	Check the wiring of the encoder.	Make sure that the encoder is correctly wired.	page 4-24
	The specifications of the Encoder Cable are not correct and noise entered on it.	–	Use a shielded twisted-pair wire cable or a screened twisted-pair cable with conductors of at least 0.12 mm ² .	–
	The Encoder Cable is too long and noise entered on it.	–	<ul style="list-style-type: none"> Rotary Servomotors: The Encoder Cable wiring distance must be 50 m max. Linear Servomotors: The Encoder Cable wiring distance must be 20 m max. 	–
	There is variation in the FG potential because of the influence of machines on the Servomotor side, such as a welder.	Check the condition of the Encoder Cable and connectors.	Properly ground the machine to separate it from the FG of the encoder.	–
	Excessive vibration or shock was applied to the encoder.	Check the operating conditions.	Reduce machine vibration. Correctly install the Servomotor or linear encoder.	–
	A failure occurred in the encoder.	–	Turn the power supply to the SERVOPACK OFF and ON again. If an alarm still occurs, the Servomotor or linear encoder may be faulty. Replace the Servomotor or linear encoder.	–
	A failure occurred in the SERVOPACK.	–	Turn the power supply to the SERVOPACK OFF and ON again. If an alarm still occurs, the SERVOPACK may be faulty. Replace the SERVOPACK.	–
A.CC0: Multiturn Limit Disagreement	When using a Direct Drive Servomotor, the setting of Pn205 (Multiturn Limit Setting) does not agree with the encoder.	Check the setting of Pn205.	Correct the setting of Pn205 (0 to 65,535).	page 6-20
	The multiturn limit of the encoder is different from that of the SERVOPACK. Or, the multiturn limit of the SERVOPACK has been changed.	Check the setting of Pn205 in the SERVOPACK.	Change the setting if the alarm occurs.	page 6-20
	A failure occurred in the SERVOPACK.	–	Turn the power supply to the SERVOPACK OFF and ON again. If an alarm still occurs, the SERVOPACK may be faulty. Replace the SERVOPACK.	–

Continued on next page.

Continued from previous page.

Alarm Number: Alarm Name	Possible Cause	Confirmation	Correction	Reference
A.CF1: Reception Failed Error in Feed- back Option Module Commu- nications	The cable between the Serial Converter Unit and SERVOPACK is not wired correctly or there is a faulty contact.	Check the wiring of the external encoder.	Correctly wire the cable between the Serial Converter Unit and SERVOPACK.	page 4-26
	A specified cable is not being used between Serial Converter Unit and SERVOPACK.	Check the wiring specifications of the external encoder.	Use a specified cable.	-
	The cable between the Serial Converter Unit and SERVOPACK is too long.	Measure the length of the cable that connects the Serial Converter Unit.	The length of the cable between the Serial Converter Unit and SERVOPACK must be 20 m or less.	-
	The sheath on cable between the Serial Converter Unit and SERVOPACK is broken.	Check the cable that connects the Serial Converter Unit.	Replace the cable between the Serial Converter Unit and SERVOPACK.	-
A.CF2: Timer Stopped Error in Feed- back Option Module Commu- nications	Noise entered the cable between the Serial Converter Unit and SERVOPACK.	-	Correct the wiring around the Serial Converter Unit, e.g., separate I/O signal lines from the Main Circuit Cables or ground.	-
	A failure occurred in the Serial Converter Unit.	-	Replace the Serial Converter Unit.	-
	A failure occurred in the SERVOPACK.	-	Replace the SERVOPACK.	-
A.d00: Position Deviation Overflow (The setting of Pn520 (Excessive Position Deviation Alarm Level) was exceeded by the position deviation while the servo was ON.)	The Servomotor U, V, and W wiring is not correct.	Check the wiring of the Servomotor's Main Circuit Cables.	Make sure that there are no faulty contacts in the wiring for the Servomotor and encoder.	-
	The position command speed is too fast.	Reduce the position command speed and try operating the SERVOPACK.	Reduce the position reference speed or the reference acceleration rate, or reconsider the electronic gear ratio.	page 5-41
	The acceleration of the position reference is too high.	Reduce the reference acceleration and try operating the SERVOPACK.	Reduce the settings of PnB2A (Acceleration Rate) and PnB2B (Deceleration Rate) to reduce the acceleration rate for positioning references.	-
	The setting of Pn520 (Excessive Position Deviation Alarm Level) is too low for the operating conditions.	Check Pn520 (Excessive Position Deviation Alarm Level) to see if it is set to an appropriate value.	Optimize the setting of Pn520.	page 8-7
	A failure occurred in the SERVOPACK.	-	Turn the power supply to the SERVOPACK OFF and ON again. If an alarm still occurs, the SERVOPACK may be faulty. Replace the SERVOPACK.	-

Continued on next page.

Continued from previous page.

Alarm Number: Alarm Name	Possible Cause	Confirmation	Correction	Reference
A.d01: Position Deviation Overflow Alarm at Servo ON	The servo was turned ON after the position deviation exceeded the setting of Pn526 (Excessive Position Deviation Alarm Level at Servo ON) while the servo was OFF.	Check the position deviation while the servo is OFF.	Optimize the setting of Pn526 (Excessive Position Deviation Alarm Level at Servo ON).	
A.d02: Position Deviation Overflow Alarm for Speed Limit at Servo ON	If position deviation remains in the deviation counter, the setting of Pn529 or Pn584 (Speed Limit Level at Servo ON) limits the speed when the servo is turned ON. This alarm occurs if a position reference is input and the setting of Pn520 (Excessive Position Deviation Alarm Level) is exceeded.	–	Optimize the setting of Pn520 (Excessive Position Deviation Alarm Level). Or, adjust the setting of Pn529 or Pn584 (Speed Limit Level at Servo ON).	page 8-7
A.d10: Motor-Load Position Deviation Overflow	The motor direction and external encoder installation orientation are backward.	Check the motor direction and the external encoder installation orientation.	Install the external encoder in the opposite direction, or change the setting of Pn002 = n.X□□□ (External Encoder Usage) to reverse the direction.	page 10-6
	There is an error in the connection between the load (e.g., stage) and external encoder coupling.	Check the coupling of the external encoder.	Check the mechanical coupling.	–
A.d30: Position Data Overflow	The position data exceeded $\pm 1,879,048,192$.	Check the input reference pulse counter.	Reconsider the operating specifications.	–
A.E00: Command Option Module IF Initialization Timeout Error	There is a faulty connection between the SERVOPACK and the Command Option Module.	Check the connection between the SERVOPACK and the Command Option Module.	Correctly connect the Command Option Module.	–
	A failure occurred in the Command Option Module.	–	Replace the Command Option Module.	–
	A failure occurred in the SERVOPACK.	–	Replace the SERVOPACK.	–

Continued on next page.

Continued from previous page.

Alarm Number: Alarm Name	Possible Cause	Confirmation	Correction	Reference
A.E02: Command Option Module IF Syn- chronization Error 1	Fluctuations in the communications system of the host controller that is connected to the Command Option Module changed the synchronization timing between the SERVOPACK and Command Option Module.	–	Turn the power supply OFF and ON again. If the alarm still occurs, restart communications processing at the host controller.	–
	There is a faulty connection between the SERVOPACK and the Command Option Module.	Check the connection between the SERVOPACK and the Command Option Module.	Correctly connect the Command Option Module.	–
	A failure occurred in the Command Option Module.	–	Replace the Command Option Module.	–
	A failure occurred in the SERVOPACK.	–	Replace the SERVOPACK.	–
A.E03: Command Option Module IF Com- munications Data Error	Noise caused a communications error between the SERVOPACK and the Command Option Module.	–	Implement countermeasures against noise.	–
	There is a faulty connection between the SERVOPACK and the Command Option Module.	Check the connection between the SERVOPACK and the Command Option Module.	Correctly connect the Command Option Module.	–
	A failure occurred in the Command Option Module.	–	Replace the Command Option Module.	–
	A failure occurred in the SERVOPACK.	–	Replace the SERVOPACK.	–
A.E70: Command Option Module Detec- tion Failure	There is a faulty connection between the SERVOPACK and the Command Option Module.	Check the connection between the SERVOPACK and the Command Option Module.	Correctly connect the Command Option Module.	–
	A Command Option Module is not connected.	–	Correctly connect the Command Option Module.	–
	A failure occurred in the Command Option Module.	–	Replace the Command Option Module.	–
	A failure occurred in the SERVOPACK.	–	Replace the SERVOPACK.	–

Continued on next page.

Continued from previous page.

Alarm Number: Alarm Name	Possible Cause	Confirmation	Correction	Reference
A.E71: Safety Option Module Detec- tion Failure	There is a faulty con- nection between the SERVOPACK and the Safety Option Module.	Check the connection between the SERVO- PACK and the Safety Option Module.	Correctly connect the Safety Option Module.	-
	The Safety Option Module was discon- nected.	-	Reset the Option Module configuration error and turn the power supply to the SERVOPACK OFF and ON again.	page 14-46
	A failure occurred in the Command Option Module.	-	Replace the Safety Option Module.	-
	A failure occurred in the SERVOPACK.	-	Replace the SERVO- PACK.	-
A.E72: Feedback Option Module Detec- tion Failure	There is a faulty con- nection between the SERVOPACK and the Feedback Option Module.	Check the connection between the SERVO- PACK and the Feed- back Option Module.	Correctly connect the Feedback Option Module.	-
	The Feedback Option Module was discon- nected.	-	Reset the Option Module configuration error and turn the power supply to the SERVOPACK OFF and ON again.	page 14-46
	A failure occurred in the Feedback Option Module.	-	Replace the Feedback Option Module.	-
	A failure occurred in the SERVOPACK.	-	Replace the SERVO- PACK.	-
A.E73: Unsupported Command Option Module	A failure occurred in the Command Option Module.	-	Replace the Command Option Module.	-
	An unsupported Com- mand Option Module was connected.	-	Connect a supported Command Option Mod- ule.	-
A.E74: Unsupported Safety Option Module	A failure occurred in the Safety Option Module.	-	Replace the Safety Option Module.	-
	An unsupported Safety Option Module was connected.	-	Connect a supported Safety Option Module.	-
A.E75*2: Unsupported Feedback Option Module	A failure occurred in the Feedback Option Module.	-	Replace the Feedback Option Module.	-
	An unsupported Feedback Option Module was con- nected.	Refer to the catalog for the connected Feed- back Option Module or the SERVOPACK man- ual.	Connect a supported Feedback Option Module.	-
A.E80: Command Option Module Detec- tion Inconsistency	The Command Option Module was replaced with a different model.	-	Reset the Option Module configuration error and turn the power supply to the SERVOPACK OFF and ON again.	-

Continued on next page.

14.2 Alarm Displays

14.2.2 Troubleshooting Alarms

Continued from previous page.

Alarm Number: Alarm Name	Possible Cause	Confirmation	Correction	Reference
A.EA0: Initialization Error (Communications initialization failed between the SERVOPACK and the Command Option Module.)	A failure occurred in the DeviceNet Module.	–	Replace the DeviceNet Module.	–
A.EA2: Alarm in Current Communications between the DeviceNet Module and SERVOPACK 1	An error occurred in communications between the DeviceNet Module and SERVOPACK during operation.	–	Implement noise countermeasures, such as improving the frame ground.	–
A.Eb1: Safety Function Signal Input Timing Error	The delay between activation of the /HWBB1 and /HWBB2 input signals for the HWBB was ten second or longer.	Measure the time delay between the /HWBB1 and /HWBB2 signals.	The output signal circuits or devices for /HWBB1 and /HWBB2 or the SERVOPACK input signal circuits may be faulty. Alternatively, the input signal cables may be disconnected. Check to see if any of these items are faulty or have been disconnected.	–
	A failure occurred in the SERVOPACK.	–	Replace the SERVOPACK.	–
A.EC8: Gate Drive Error 1 (An error occurred in the gate drive circuit.)	A failure occurred in the SERVOPACK.	–	Turn the power supply to the SERVOPACK OFF and ON again. If an alarm still occurs, the SERVOPACK may be faulty. Replace the SERVOPACK.	–
A.EC9: Gate Drive Error 2 (An error occurred in the gate drive circuit.)				
A.Ed1: Command Option Module IF Communications Command Timeout Error	Processing of a Servo ON command from the Command Option Module was not completed.	–	Input the Servo ON command when the motor is stopped.	–
	Processing of a Sensor ON command from the Command Option Module was not completed.	–	Check to confirm that the encoder is connected properly.	–

Continued on next page.

Continued from previous page.

Alarm Number: Alarm Name	Possible Cause	Confirmation	Correction	Reference
A.F10: Power Supply Line Open Phase (The voltage was low for more than one second for phase R, S, or T when the main power supply was ON.)	The three-phase power supply wiring is not correct.	Check the power supply wiring.	Make sure that the power supply is correctly wired.	page 4-11
	The three-phase power supply is unbalanced.	Measure the voltage for each phase of the three-phase power supply.	Balance the power supply by changing phases.	–
	A single-phase power supply was input without specifying a single-phase AC power supply input (Pn00B = n.□1□□).	Check the power supply and the parameter setting.	Match the parameter setting to the power supply.	page 4-11
	A failure occurred in the SERVOPACK.	–	Turn the power supply to the SERVOPACK OFF and ON again. If an alarm still occurs, the SERVOPACK may be faulty. Replace the SERVOPACK.	–
A.F50: Servomotor Main Circuit Cable Disconnection (The Servomotor did not operate or power was not supplied to the Servomotor even though the Servo ON command was input when the Servomotor was ready to receive it.)	A failure occurred in the SERVOPACK.	–	The SERVOPACK may be faulty. Replace the SERVOPACK.	–
	The wiring is not correct or there is a faulty contact in the motor wiring.	Check the wiring.	Make sure that the Servomotor is correctly wired.	page 4-24
FL-1^{*4}: System Alarm	A failure occurred in the SERVOPACK.	–	Turn the power supply to the SERVOPACK OFF and ON again. If an alarm still occurs, the SERVOPACK may be faulty. Replace the SERVOPACK.	–
FL-2^{*4}: System Alarm				
FL-3^{*4}: System Alarm				
FL-4^{*4}: System Alarm				
FL-5^{*4}: System Alarm				
FL-6^{*4}: System Alarm				
CPF00: Digital Operator Communications Error 1	There is a faulty contact between the Digital Operator and the SERVOPACK.	Check the connector contact.	Disconnect the connector and insert it again. Or, replace the cable.	–
	A malfunction was caused by noise.	–	Keep the Digital Operator or the cable away from sources of noise.	–

Continued on next page.

Continued from previous page.

Alarm Number: Alarm Name	Possible Cause	Confirmation	Correction	Reference
CPF01: Digital Operator Communications Error 2	A failure occurred in the Digital Operator.	—	Disconnect the Digital Operator and then connect it again. If an alarm still occurs, the Digital Operator may be faulty. Replace the Digital Operator.	—
	A failure occurred in the SERVOPACK.	—	Turn the power supply to the SERVOPACK OFF and ON again. If an alarm still occurs, the SERVOPACK may be faulty. Replace the SERVOPACK.	—

*1. Detection Conditions

• Rotary Servomotor

If either of the following conditions is detected, an alarm will occur.

$$\bullet \text{ Pn533 [min}^{-1}\text{]} \times \frac{\text{Encoder resolution}}{6 \times 10^5} \leq \frac{\text{Pn20E}}{\text{Pn210}}$$

$$\bullet \text{ Maximum motor speed [min}^{-1}\text{]} \times \frac{\text{Encoder resolution}}{\text{Approx. } 3.66 \times 10^{12}} \geq \frac{\text{Pn20E}}{\text{Pn210}}$$

• Linear Servomotor

If either of the following conditions is detected, an alarm will occur.

$$\bullet \frac{\text{Pn585 [mm/s]}}{\text{Linear encoder pitch [\mu m]}} \times \frac{\text{Resolution of Serial Converter Unit}}{10} \leq \frac{\text{Pn20E}}{\text{Pn210}}$$

$$\bullet \frac{\text{Pn385 [100 mm/s]}}{\text{Linear encoder pitch [\mu m]}} \times \frac{\text{Resolution of Serial Converter Unit}}{\text{Approx. } 6.10 \times 10^5} \geq \frac{\text{Pn20E}}{\text{Pn210}}$$

*2. Detection Conditions

• Rotary Servomotor

If either of the following conditions is detected, an alarm will occur.

$$\bullet \text{ Rated motor speed [min}^{-1}\text{]} \times 1/3 \times \frac{\text{Encoder resolution}}{6 \times 10^5} \leq \frac{\text{Pn20E}}{\text{Pn210}}$$

$$\bullet \text{ Maximum motor speed [min}^{-1}\text{]} \times \frac{\text{Encoder resolution}}{\text{Approx. } 3.66 \times 10^{12}} \geq \frac{\text{Pn20E}}{\text{Pn210}}$$


• Linear Servomotor

If either of the following conditions is detected, an alarm will occur.

$$\bullet \frac{\text{Rated motor speed [mm/s]} \times 1/3}{\text{Linear encoder pitch [\mu m]}} \times \frac{\text{Resolution of Serial Converter Unit}}{10} \leq \frac{\text{Pn20E}}{\text{Pn210}}$$

$$\bullet \frac{\text{Pn385 [100 mm/s]}}{\text{Linear encoder pitch [\mu m]}} \times \frac{\text{Resolution of Serial Converter Unit}}{\text{Approx. } 6.10 \times 10^5} \geq \frac{\text{Pn20E}}{\text{Pn210}}$$

*3. Refer to the following manual for details.

 **Σ-7-Series Peripheral Device Selection Manual (Manual No.: SIEP S80001 32)**

*4. These alarms are not stored in the alarm history. They are only displayed on the panel display.

14.2.3 Resetting Alarms

If there is an ALM (Servo Alarm) signal, use one of the following methods to reset the alarm after eliminating the cause of the alarm.




Important

Be sure to eliminate the cause of an alarm before you reset the alarm. If you reset the alarm and continue operation without eliminating the cause of the alarm, it may result in damage to the equipment or fire.


Resetting Alarms with I/O Communications

Refer to the following section for details on resetting alarms with I/O communications.

 13.2.1 I/O Communications on page 13-5

Resetting Alarms Using the Digital Operator

Press the **ALARM RESET** Key on the Digital Operator. Refer to the following manual for details on resetting alarms.

 Σ -7-Series Digital Operator Operating Manual (Manual No.: SIEP S800001 33)

14.2.4 Displaying the Alarm History

The alarm history displays up to the last ten alarms that have occurred in the SERVOPACK.

Note: FL-1 to FL-6 are not displayed in the alarm history.

Preparations

No preparations are required.

Applicable Tools

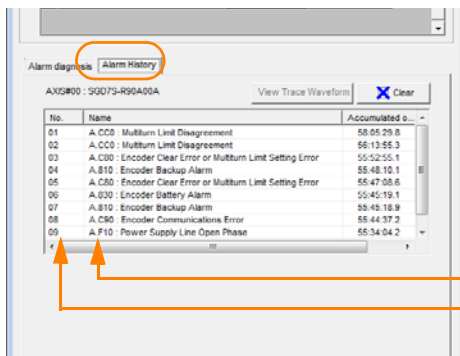
The following table lists the tools that you can use to display the alarm history and the applicable tool functions.

Tool	Function	Reference
Digital Operator	Fn000	Σ -7-Series Digital Operator Operating Manual (Manual No.: SIEP S800001 33)
SigmaWin+	Alarm – Display Alarm	Operating Procedure on page 14-44

Operating Procedure

Use the following procedure to display the alarm history.

1. Click the Servo Drive Button in the workspace of the Main Window of the SigmaWin+.
2. Select **Display Alarm** in the Menu Dialog Box.
The Alarm Display Dialog Box will be displayed.
3. Click the **Alarm History** Tab.
The following display will appear and you can check the alarms that occurred in the past.



Alarm number: Alarm name
Alarms in order of occurrence
(Older alarms have higher numbers.)

Information

1. If the same alarm occurs consecutively within one hour, it is not saved in the alarm history. If it occurs after an hour or more, it is saved.
2. You can clear the alarm history by clicking the **Clear** Button. The alarm history is not cleared when alarms are reset or when the SERVOPACK main circuit power is turned OFF.

This concludes the procedure to display the alarm history.

14.2.5 Clearing the Alarm History

You can clear the alarm history that is recorded in the SERVOPACK.

The alarm history is not cleared when alarms are reset or when the SERVOPACK main circuit power is turned OFF. You must perform the following procedure.



Preparations

Always check the following before you clear the alarm history.

- The parameters must not be write prohibited.


Applicable Tools

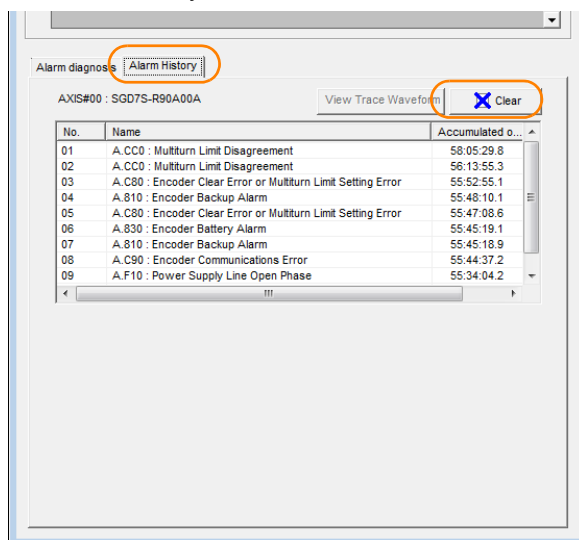
The following table lists the tools that you can use to clear the alarm history and the applicable tool functions.

Tool	Function	Reference
Digital Operator	Fn006	 Σ -7-Series Digital Operator Operating Manual (Manual No.: SIEP S800001 33)
SigmaWin+	Alarm – Display Alarm	 Operating Procedure on page 14-45

Operating Procedure

Use the following procedure to reset the alarm history.

1. Click the  Servo Drive Button in the workspace of the Main Window of the SigmaWin+.
2. Select **Display Alarm** in the Menu Dialog Box.
The Alarm Display Dialog Box will be displayed.
3. Click the **Alarm History** Tab.
4. Click the **Clear** Button.
The alarm history will be cleared.



This concludes the procedure to reset the alarm history.

14.2.6 Resetting Alarms Detected in Option Modules

If any Option Modules are attached to the SERVOPACK, the SERVOPACK detects the presence and models of the connected Option Modules. If it finds any errors, it outputs alarms. You can delete those alarms with this operation.

- Information**
- This operation is the only way to reset alarms for Option Modules. The alarms are not reset when you reset other alarms or when you turn OFF the power supply to the SERVOPACK.
 - Always remove the cause of an alarm before you reset the alarm.



Preparations

Always check the following before you clear an alarm detected in an Option Module.

- The parameters must not be write prohibited.


Applicable Tools

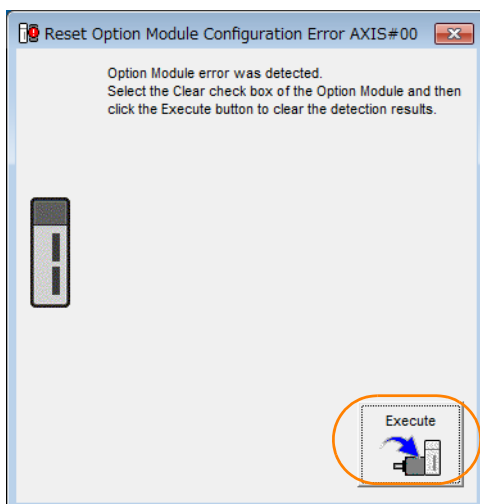
The following table lists the tools that you can use to reset Option Module configuration errors and the applicable tool functions.

Tool	Function	Reference
Digital Operator	Fn014	 Σ -7-Series Digital Operator Operating Manual (Manual No.: SIEP S800001 33)
SigmaWin+	<i>Setup – Reset Configuration Error of Option Module</i>	 Operating Procedure on page 14-46

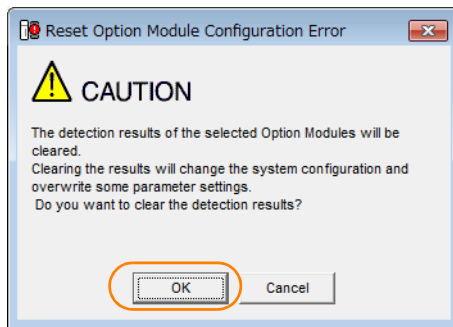
Operating Procedure

Use the following procedure to reset alarms detected in Option Modules.

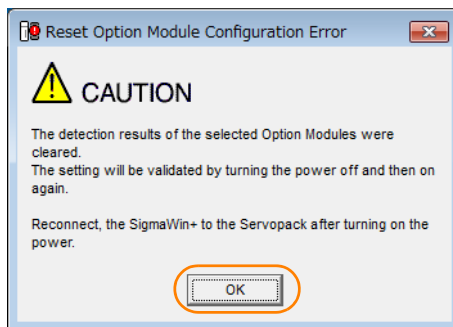
1. Click the  Servo Drive Button in the workspace of the Main Window of the SigmaWin+.
2. Select **Reset Option Module Configuration Error** in the Menu Dialog Box. The Reset Option Module Configuration Error Dialog Box will be displayed.
3. Select the **Clear** Check Box for the Option Modules from which to clear alarms and then click the **Execute** Button.



4. Click the OK Button.



5. Click the OK Button.



6. Turn the power supply to the SERVOPACK OFF and ON again.

This concludes the procedure to reset alarms detected in Option Modules.

14.2.7 Resetting Motor Type Alarms

The SERVOPACK automatically determines the type of motor that is connected to it. If the type of motor that is connected is changed, an A.070 alarm (Motor Type Change Detected) will occur the next time the SERVOPACK is started. If an A.070 alarm occurs, you must set the parameters to match the new type of motor.

An A.070 alarm is reset by executing the Reset Motor Type Alarm utility function.

- Information**
1. This utility function is the only way to reset an A.070 alarm (Motor Type Change Detected). The errors are not reset when you reset alarms or turn OFF the power supply to the SERVOPACK.
 2. If an A.070 alarm occurs, first set the parameters according to the newly connected motor type and then execute the Reset Motor Type Alarm utility function.



Preparations

Always check the following before you reset a motor type alarm.

- The parameters must not be write prohibited.


Applicable Tools

The following table lists the tools that you can use to clear the motor type alarm and the applicable tool functions.

Tool	Function	Reference
Digital Operator	Fn021	 Σ -7-Series Digital Operator Operating Manual (Manual No.: SIEP S800001 33)
SigmaWin+	Alarm – Reset Motor Type Alarm	 <i>Operating Procedure</i> on page 14-48

Operating Procedure

Use the following procedure to reset Motor Type alarm.

1. Click the  Servo Drive Button in the workspace of the Main Window of the SigmaWin+.
2. Select **Reset Motor Type Alarm** in the Menu Dialog Box.
The Reset Motor Type Alarm Dialog Box will be displayed.
3. Click the **Clear** Button.
The alarm will be cleared.

This concludes the procedure to reset Motor Type alarms.

14.3 Warning Displays

If a warning occurs in the SERVOPACK, a warning number will be displayed on the panel display. Warnings are displayed to warn you before an alarm occurs.

This section provides a list of warnings and the causes of and corrections for warnings.

14.3.1 List of Warnings

The list of warnings gives the warning name, warning meaning in order of the warning numbers.

Warning Number	Warning Name	Meaning
A.900	Position Deviation Overflow	The position deviation exceeded the percentage set with the following formula: (Pn520 × Pn51E/100)
A.901	Position Deviation Overflow Alarm at Servo ON	The position deviation when the servo was turned ON exceeded the percentage set with the following formula: (Pn526 × Pn528/100)
A.910	Overload	This warning occurs before an overload alarm (A.710 or A.720) occurs. If the warning is ignored and operation is continued, an alarm may occur.
A.911	Vibration	Abnormal vibration was detected during motor operation. The detection level is the same as A.520. Set whether to output an alarm or a warning by setting Pn310 (Vibration Detection Switch).
A.912	Internal Temperature Warning 1 (Control Board Temperature Error)	The surrounding temperature of the control PCB is abnormal.
A.913	Internal Temperature Warning 2 (Power Board Temperature Error)	The surrounding temperature of the power PCB is abnormal.
A.920	Regenerative Overload	This warning occurs before an A.320 alarm (Regenerative Overload) occurs. If the warning is ignored and operation is continued, an alarm may occur.
A.921	Dynamic Brake Overload	This warning occurs before an A.731 alarm (Dynamic Brake Overload) occurs. If the warning is ignored and operation is continued, an alarm may occur.
A.923	SERVOPACK Built-in Fan Stopped	The fan inside the SERVOPACK stopped.
A.930	Absolute Encoder Battery Error	This warning occurs when the voltage of absolute encoder's battery is low.
A.93B	Overheat Warning	The input voltage (temperature) of the overheat protection input (TH) signal exceeded the setting of Pn61C (Overheat Warning Level).
A.942	Speed Ripple Compensation Information Disagreement	The speed ripple compensation information stored in the encoder does not agree with the speed ripple compensation information stored in the SERVOPACK.
A.971	Undervoltage	This warning occurs before an A.410 alarm (Undervoltage) occurs. If the warning is ignored and operation is continued, an alarm may occur.
A.9b0	Preventative Maintenance Warning	One of the consumable parts has reached the end of its service life.
A.A90	Positioning Timeout	A positioning completion timeout occurred during a positioning operation.
A.A94	Data Setting Warning	A parameter was set outside of the setting range.
A.A95	Command Error	There was an error in a command message.
A.A96	DeviceNet Communications Error	DeviceNet communications have timed out.
A.A97	Control Power Error	The control power supply is not ON.

Continued on next page.

Continued from previous page.

Warning Number	Warning Name	Meaning
A.A98	Main Circuit Power Error	The main circuit power supply is not ON.
A.A99	Rotary Switch Change Warning	A rotary switch setting was changed after the power supply was turned ON or reset.

- Note: 1. A warning code is not output unless you set Pn001 to n.1□□□ (Output both alarm codes and warning codes).
 2. Use Pn008 = n.□X□□ (Warning Detection Selection) to select warning detection. However, the following warnings are not affected by the setting of Pn008 = n.□X□□ and other parameter settings are required in addition to Pn008 = n.□X□□.

Warning	Parameters That Must Be Set to Select Warning Detection	Reference
A.911	Pn310 = n.□□□X (Vibration Detection Setting)	page 6-26
A.930	Pn008 = n.□□□X (Low Battery Voltage Alarm/Warning Selection)	page 14-2
A.942	Pn423 = n.□□□□ (Speed Ripple Compensation Information Dis-agreement Warning Detection Selection)	page 8-60
A.971	Pn008 = n.□□□□ (Function Selection for Undervoltage) (Not affected by the setting of Pn008 = n.□X□□.)	page 6-5
A.9b0	Pn00F = n.□□□X (Preventative Maintenance Selection)	page 9-14

14.3.2 Troubleshooting Warnings

The causes of and corrections for the warnings are given in the following table. Contact your Yaskawa representative if you cannot solve a problem with the correction given in the table.

Warning Number: Warning Name	Possible Cause	Confirmation	Correction	Reference
A.900: Position Deviation Overflow	The Servomotor U, V, and W wiring is not correct.	Check the wiring of the Servomotor's Main Circuit Cables.	Make sure that there are no faulty connections in the wiring for the Servomotor and encoder.	-
	A SERVOPACK gain is too low.	Check the SERVO-PACK gains.	Increase the servo gain, e.g., by using autotuning without a host reference.	page 8-23
	The acceleration of the position reference is too high.	Reduce the reference acceleration and try operating the SERVO-PACK.	Reduce the settings of PnB2A (Acceleration Rate) and PnB2B (Deceleration Rate) to reduce the acceleration rate of the positioning reference.	-
	The excessive position deviation alarm level (Pn520 × Pn51E/100) is too low for the operating conditions.	Check excessive position deviation alarm level (Pn520 × Pn51E/100) to see if it is set to an appropriate value.	Optimize the settings of Pn520 and Pn51E.	page 8-7
	A failure occurred in the SERVO-PACK.	-	Turn the power supply to the SERVOPACK OFF and ON again. If an alarm still occurs, the SERVOPACK may be faulty. Replace the SERVOPACK.	-
A.901: Position Deviation Overflow Alarm at Servo ON	The position deviation when the servo was turned ON exceeded the percentage set with the following formula: (Pn526 × Pn528/100)	-	Optimize the setting of Pn528 (Excessive Position Error Warning Level at Servo ON).	-

Continued on next page.

Continued from previous page.

Warning Number: Warning Name	Possible Cause	Confirmation	Correction	Reference
A.910: Overload (warning before an A.710 or A.720 alarm occurs)	The wiring is not correct or there is a faulty contact in the motor or encoder wiring.	Check the wiring.	Make sure that the Servomotor and encoder are correctly wired.	–
	Operation was performed that exceeded the overload protection characteristics.	Check the motor overload characteristics and Run command.	Reconsider the load and operating conditions. Or, increase the motor capacity.	–
	The overload warning level (Pn52B) is not suitable.	Check that the overload warning level (Pn52B) is suitable.	Set a suitable overload warning level (Pn52B).	page 5-38
	A failure occurred in the SERVOPACK.	–	The SERVOPACK may be faulty. Replace the SERVOPACK.	–
A.911: Vibration	Abnormal vibration was detected during motor operation.	Check for abnormal motor noise, and check the speed and torque waveforms during operation.	Reduce the motor speed. Or, reduce the servo gain with custom tuning.	page 8-42
	The setting of Pn103 (Moment of Inertia Ratio) is greater than the actual moment of inertia or was greatly changed.	Check the moment of inertia ratio or mass ratio.	Set Pn103 (Moment of Inertia Ratio) to an appropriate value.	page 8-15
	The vibration detection level (Pn312 or Pn384) is not suitable.	Check that the vibration detection level (Pn312 or Pn384) is suitable.	Set a suitable vibration detection level (Pn312 or Pn384).	page 6-26

Continued on next page.

14.3 Warning Displays

14.3.2 Troubleshooting Warnings

Continued from previous page.

Warning Number: Warning Name	Possible Cause	Confirmation	Correction	Reference
A.912: Internal Temperature Warning 1 (Control Board Temperature Error)	The surrounding temperature is too high.	Check the surrounding temperature using a thermostat. Or, check the operating status with the SERVOPACK installation environment monitor.	Decrease the surrounding temperature by improving the SERVOPACK installation conditions.	page 3-6
	An overload alarm was reset by turning OFF the power supply too many times.	Check the alarm display to see if there is an overload alarm.	Change the method for resetting the alarm.	–
	There was an excessive load or operation was performed that exceeded the regenerative processing capacity.	Use the accumulated load ratio to check the load during operation, and use the regenerative load ratio to check the regenerative processing capacity.	Reconsider the load and operating conditions.	–
	The SERVOPACK installation orientation is not correct or there is insufficient space around the SERVOPACK.	Check the SERVOPACK installation conditions.	Install the SERVOPACK according to specifications.	page 3-3, page 3-6
	A failure occurred in the SERVOPACK.	–	The SERVOPACK may be faulty. Replace the SERVOPACK.	–
A.913: Internal Temperature Warning 2 (Power Board Temperature Error)	The surrounding temperature is too high.	Check the surrounding temperature using a thermostat. Or, check the operating status with the SERVOPACK installation environment monitor.	Decrease the surrounding temperature by improving the SERVOPACK installation conditions.	page 3-6
	An overload alarm was reset by turning OFF the power supply too many times.	Check the alarm display to see if there is an overload alarm.	Change the method for resetting the alarm.	–
	There was an excessive load or operation was performed that exceeded the regenerative processing capacity.	Use the accumulated load ratio to check the load during operation, and use the regenerative load ratio to check the regenerative processing capacity.	Reconsider the load and operating conditions.	–
	The SERVOPACK installation orientation is not correct or there is insufficient space around the SERVOPACK.	Check the SERVOPACK installation conditions.	Install the SERVOPACK according to specifications.	page 3-3, page 3-6
	A failure occurred in the SERVOPACK.	–	The SERVOPACK may be faulty. Replace the SERVOPACK.	–

Continued on next page.

Continued from previous page.

Warning Number: Warning Name	Possible Cause	Confirmation	Correction	Reference
A.920: Regenerative Overload (warning before an A.320 alarm occurs)	The power supply voltage exceeded the specified range.	Measure the power supply voltage.	Set the power supply voltage within the specified range.	–
	There is insufficient external regenerative resistance, regenerative resistor capacity, or SERVOPACK capacity, or there has been a continuous regeneration state.	Check the operating conditions or the capacity using the SigmaJunmaSize+ Capacity Selection Software or another means.	Change the regenerative resistance value, regenerative resistance capacity, or SERVOPACK capacity. Reconsider the operating conditions using the SigmaJunmaSize+ Capacity Selection Software or other means.	–
	There was a continuous regeneration state because a negative load was continuously applied.	Check the load applied to the Servomotor during operation.	Reconsider the system including the servo, machine, and operating conditions.	–
A.921: Dynamic Brake Overload (warning before an A.731 alarm occurs)	The Servomotor was rotated by an external force.	Check the operation status.	Implement measures to ensure that the motor will not be rotated by an external force.	–
	When the Servomotor was stopped with the dynamic brake, the rotational or linear kinetic energy exceeded the capacity of the dynamic brake resistor.	Check the power consumed by the DB resistor to see how frequently the DB is being used.	Reconsider the following: <ul style="list-style-type: none"> • Reduce the Servomotor command speed. • Decrease the moment of inertia or mass. • Reduce the frequency of stopping with the dynamic brake. 	–
	A failure occurred in the SERVOPACK.	–	The SERVOPACK may be faulty. Replace the SERVOPACK.	–
A.923: SERVOPACK Built-in Fan Stopped	The fan inside the SERVOPACK stopped.	Check for foreign matter inside the SERVOPACK.	Remove foreign matter from the SERVOPACK. If an alarm still occurs, the SERVOPACK may be faulty. Replace the SERVOPACK.	–
A.930: Absolute Encoder Battery Error (The absolute encoder battery voltage was lower than the specified level.) (Detected only when an absolute encoder is connected.)	The battery connection is faulty or a battery is not connected.	Check the battery connection.	Correct the battery connection.	page 4-25
	The battery voltage is lower than the specified value (2.7 V).	Measure the battery voltage.	Replace the battery.	page 14-3
	A failure occurred in the SERVOPACK.	–	The SERVOPACK may be faulty. Replace the SERVOPACK.	–

Continued on next page.

14.3 Warning Displays

14.3.2 Troubleshooting Warnings

Continued from previous page.

Warning Number: Warning Name	Possible Cause	Confirmation	Correction	Reference
A.93B: Overheat Warning	The surrounding temperature is too high.	Check the surrounding temperature using a thermostat.	Lower the surrounding temperature by improving the installation conditions of the Linear Servomotor or the machine.	-
	Operation was performed under an excessive load.	Use the accumulated load ratio to check the load during operation.	Reconsider the load and operating conditions.	-
	A failure occurred in the SERVOPACK.	-	The SERVOPACK may be faulty. Replace the SERVOPACK.	-
	The temperature detection circuit in the Linear Servomotor is faulty or the sensor attached to the machine is faulty.	-	The temperature detection circuit in the Linear Servomotor may be faulty or the sensor attached to the machine may be faulty. Replace the Linear Servomotor or repair the sensor attached to the machine.	-
A.942: Speed Ripple Compensation Information Disagreement	The speed ripple compensation information stored in the encoder does not agree with the speed ripple compensation information stored in the SERVOPACK.	-	Reset the speed ripple compensation value on the SigmaWin+.	page 8-60
		-	Set Pn423 to n.□□1□ (Do not detect A.942 alarms). However, changing the setting may increase the speed ripple.	page 8-60
		-	Set Pn423 to n.□□□0 (Disable torque ripple compensation). However, changing the setting may increase the speed ripple.	page 8-60
A.971: Undervoltage	For a 200-V SERVOPACK, the AC power supply voltage dropped below 140 V.	Measure the power supply voltage.	Set the power supply voltage within the specified range.	-
	For a 100-V SERVOPACK, the AC power supply voltage dropped below 60 V.	Measure the power supply voltage.	Set the power supply voltage within the specified range.	-
	A momentary power interruption occurred.	Measure the power supply voltage.	If you have changed the setting of Pn509 (Momentary Power Interruption Hold Time), decrease the setting.	page 6-5
	The SERVOPACK fuse is blown out.	-	Replace the SERVOPACK and connect a reactor.	page 4-23
	A failure occurred in the SERVOPACK.	-	The SERVOPACK may be faulty. Replace the SERVOPACK.	-
A.9b0: Preventative Maintenance Warning	One of the consumable parts has reached the end of its service life.	-	Replace the part. Contact your Yaskawa representative for replacement.	page 9-15

Continued on next page.

Continued from previous page.

Warning Number: Warning Name	Possible Cause	Confirmation	Correction	Reference
A.A90: Positioning Timeout (A positioning completion timeout occurred during a positioning operation.)	The SERVOPACK gain is not adjusted.	Check the SERVO-PACK gain.	Adjust the gain.	page 8-79
	The positioning completion timeout error check time (PnB51) is too short.	Check the timeout error check time.	Set the positioning completion timeout error check time to a suitable value.	page 12-12
A.A94: Data Setting Warning (A parameter was set to an out-of-range value via DeviceNet.)	A parameter was set outside of the setting range.	–	Correct the set value.	–
A.A95: Command Error	There was an error in a command message.	Check the command.	Check the command data and then change the value of the Data Enable bit.	page 13-5
A.A96: DeviceNet Communications Error (A timeout or other error occurred in DeviceNet communications.)	DeviceNet communications have timed out.	Check the connections of the DeviceNet cables.	Restart DeviceNet communications from the host controller.	–
A.A97: Control Power Error (The control power supply is not ON.) (SGDV-OCA05A only)	The control power supply is not ON.	–	Turn ON the control power supply.	–
A.A98: Main Circuit Power Error (The main circuit power supply is not ON.)	The main circuit power supply is not ON.	–	Turn ON the main circuit power supply.	–
A.A99: Rotary Switch Change Warning (A rotary switch setting was changed after the power supply was turned ON or reset.)	A rotary switch setting was changed after the power supply was turned ON or reset.	Check the rotary switch settings.	Clear the alarm. With the SGDV-OCA04A, you can also turn the control power supply OFF and ON again. With the SGDV-OCA05A, you can also turn the communications power supply OFF and ON again.	–

14.4 Troubleshooting Based on the Operation and Conditions of the Servomotor

This section provides troubleshooting based on the operation and conditions of the Servomotor, including causes and corrections.

Turn OFF the Servo System before troubleshooting the items shown in bold lines in the table.

Problem	Possible Cause	Confirmation	Correction	Reference
Servomotor Does Not Start	The control power supply is not turned ON.	Measure the voltage between control power supply terminals.	Correct the wiring so that the control power supply is turned ON.	–
	The main circuit power supply is not turned ON.	Measure the voltage across the main circuit power input terminals.	Correct the wiring so that the main circuit power supply is turned ON.	–
	The I/O signal connector (CN1) pins are not wired correctly or are disconnected.	Check the wiring condition of the I/O signal connector (CN1) pins.	Correct the wiring of the I/O signal connector (CN1) pins.	page 4-32, page 9-6
	The wiring for the Servomotor Main Circuit Cables or Encoder Cable is disconnected.	Check the wiring conditions.	Wire the cable correctly.	–
	There is an overload on the Servomotor.	Operate the Servomotor with no load and check the load status.	Reduce the load or replace the Servomotor with a Servomotor with a larger capacity.	–
	The type of encoder that is being used does not agree with the setting of Pn002 = n.□X□□ (Encoder Usage).	Check the type of the encoder that is being used and the setting of Pn002 = n.□X□□.	Set Pn002 = n.□X□□ according to the type of the encoder that is being used.	page 6-18
	The Servo ON command has not been input.	Check the commands sent from the host controller.	Input the Servo ON command from the host controller.	–
	The CCW-OT (CCW Drive Prohibit) or CW-OT (CW Drive Prohibit) signal is still OFF.	Check the CCW-OT and CW-OT signals.	Turn ON the CCW-OT or CW-OT signal.	page 9-6
	The safety input signals (/HWBB1 or /HWBB2) were not turned ON.	Check the /HWBB1 and /HWBB2 input signals.	Turn ON the /HWBB1 and /HWBB2 input signals. If you are not using the safety function, connect the Safety Jumper Connector (provided as an accessory) to CN8.	page 9-6
	A failure occurred in the SERVOPACK.	–	Replace the SERVOPACK.	–
	The polarity detection was not executed.	Check the setting of Pn080 = n.□□□X (Polarity Sensor Selection).	Correct the parameter setting.	page 5-24
		Check the Servo ON command input.	<ul style="list-style-type: none"> If you are using an incremental linear encoder, send the Servo ON command from the host controller. If you are using an absolute linear encoder, execute polarity detection. 	page 5-25

Continued on next page.

Continued from previous page.

Problem	Possible Cause	Confirmation	Correction	Reference
Servomotor Moves Instantaneously, and Then Stops	There is a mistake in the Servomotor wiring.	Check the wiring.	Wire the Servomotor correctly.	-
	There is a mistake in the wiring of the encoder or Serial Converter Unit.	Check the wiring.	Wire the Serial Converter Unit correctly.	-
	There is a mistake in the linear encoder wiring.	Check the wiring.	Wire the cable correctly.	-
	The setting of Pn282 (Linear Encoder Pitch) is not correct.	Check the setting of Pn282.	Correct the setting of Pn282.	page 5-17
	The count-up direction of the linear encoder does not match the forward direction of the Moving Coil in the motor.	Check the directions.	Change the setting of Pn080 = n.□□X□ (Motor Phase Selection). Place the linear encoder and motor in the same direction.	page 5-22
	Polarity detection was not performed correctly.	Check to see if electrical angle 2 (electrical angle from polarity origin) at any position is between ±10°.	Correct the settings for the polarity detection-related parameters.	-
Servomotor Speed Is Unstable	There is a faulty connection in the Servomotor wiring.	The connector connections for the power line (U, V, and W phases) and the encoder or Serial Converter Unit may be unstable. Check the wiring.	Tighten any loose terminals or connectors and correct the wiring.	-
Servomotor Moves without a Reference Input	A failure occurred in the SERVOPACK.	-	Replace the SERVOPACK.	-
	The count-up direction of the linear encoder does not match the forward direction of the Moving Coil in the motor.	Check the directions.	Change the setting of Pn080 = n.□□X□ (Motor Phase Selection). Match the linear encoder direction and Servomotor direction.	page 5-22
	Polarity detection was not performed correctly.	Check to see if electrical angle 2 (electrical angle from polarity origin) at any position is between ±10°.	Correct the settings for the polarity detection-related parameters.	-
Dynamic Brake Does Not Operate	The setting of Pn001 = n.□□□X (Servo OFF or Alarm Group 1 Stopping Method) is not suitable.	Check the setting of Pn001 = n.□□□X.	Set Pn001 = n.□□□X correctly.	-
	The dynamic brake resistor is disconnected.	Check the moment of inertia, motor speed, and dynamic brake frequency of use. If the moment of inertia, motor speed, or dynamic brake frequency of use is excessive, the dynamic brake resistance may be disconnected.	Replace the SERVOPACK. To prevent disconnection, reduce the load.	-
	There was a failure in the dynamic brake drive circuit.	-	There is a defective component in the dynamic brake circuit. Replace the SERVOPACK.	-

Continued on next page.

Continued from previous page.

Problem	Possible Cause	Confirmation	Correction	Reference
Abnormal Noise from Servomotor	The Servomotor vibrated considerably while performing the tuning-less function with the default settings.	Check the waveform of the motor speed.	Reduce the load so that the moment of inertia ratio or mass ratio is within the allowable value, or increase the load level or reduce the rigidity level in the tuning-less level settings.	page 8-11
	The machine mounting is not secure.	Check to see if there are any loose mounting screws.	Tighten the mounting screws.	-
		Check to see if there is misalignment in the coupling.	Align the coupling.	-
		Check to see if the coupling is balanced.	Balance the coupling.	-
	The bearings are defective.	Check for noise and vibration around the bearings.	Replace the Servomotor.	-
	There is a vibration source at the driven machine.	Check for any foreign matter, damage, or deformation in the machine's moving parts.	Consult with the machine manufacturer.	-
	Noise interference occurred because of incorrect I/O signal cable specifications.	Check the I/O signal cables to see if they satisfy specifications. Use shielded twisted-pair wire cables or screened twisted-pair cables with conductors of at least 0.12 mm ² .	Use cables that satisfy the specifications.	-
	Noise interference occurred because an I/O signal cable is too long.	Check the lengths of the I/O signal cables.	The I/O signal cables must be no longer than 3 m.	-
	Noise interference occurred because of incorrect Encoder Cable specifications.	Make sure that the rotary or Linear Encoder Cable satisfies the specifications. Use a shielded twisted-pair wire cable or a screened twisted-pair cable with a conductors of at least 0.12 mm ² .	Use cables that satisfy the specifications.	-
	Noise interference occurred because the Encoder Cable is too long.	Check the length of the Encoder Cable.	<ul style="list-style-type: none"> • Rotary Servomotors: The Encoder Cable length must be 50 m max. • Linear Servomotors: Make sure that the Serial Converter Unit cable is no longer than 20 m and that the Linear Encoder Cable and the Sensor Cable are no longer than 15 m each. 	-
Noise interference occurred because the Encoder Cable is damaged.	Check the Encoder Cable to see if it is pinched or the sheath is damaged.	Replace the Encoder Cable and correct the cable installation environment.	-	

Continued on next page.

Continued from previous page.

Problem	Possible Cause	Confirmation	Correction	Reference
Abnormal Noise from Servomotor	The Encoder Cable was subjected to excessive noise interference.	Check to see if the Encoder Cable is bundled with a high-current line or installed near a high-current line.	Correct the cable layout so that no surge is applied by high-current lines.	-
	There is variation in the FG potential because of the influence of machines on the Servomotor side, such as a welder.	Check to see if the machines are correctly grounded.	Properly ground the machines to separate them from the FG of the encoder.	-
	There is a SERVOPACK pulse counting error due to noise.	Check to see if there is noise interference on the signal line from the encoder.	Implement counter-measures against noise for the encoder wiring.	-
	The encoder was subjected to excessive vibration or shock.	Check to see if vibration from the machine occurred. Check the Servomotor installation (mounting surface precision, securing state, and alignment). Check the linear encoder installation (mounting surface precision and securing method).	Reduce machine vibration. Improve the mounting state of the Servomotor or linear encoder.	-
	A failure occurred in the encoder.	-	Replace the Servomotor.	-
	A failure occurred in the Serial Converter Unit.	-	Replace the Serial Converter Unit.	-
	A failure occurred in the linear encoder.	-	Replace the linear encoder.	-
Servomotor Vibrates at Frequency of Approx. 200 to 400 Hz.	The servo gains are not balanced.	Check to see if the servo gains have been correctly tuned.	Perform autotuning without a host reference.	page 8-23
	The setting of Pn100 (Speed Loop Gain) is too high.	Check the setting of Pn100. The default setting is Kv = 40.0 Hz.	Set Pn100 to an appropriate value.	-
	The setting of Pn102 (Position Loop Gain) is too high.	Check the setting of Pn102. The default setting is Kp = 40.0/s.	Set Pn102 to an appropriate value.	-
	The setting of Pn101 (Speed Loop Integral Time Constant) is not appropriate.	Check the setting of Pn101. The default setting is Ti = 20.0 ms.	Set Pn101 to an appropriate value.	-
	The setting of Pn103 (Moment of Inertia Ratio or Mass Ratio) is not appropriate.	Check the setting of Pn103.	Set Pn103 to an appropriate value.	-

Continued on next page.

Continued from previous page.

Problem	Possible Cause	Confirmation	Correction	Reference
Large Motor Speed Overshoot on Starting and Stopping	The servo gains are not balanced.	Check to see if the servo gains have been correctly tuned.	Perform autotuning without a host reference.	page 8-23
	The setting of Pn100 (Speed Loop Gain) is too high.	Check the setting of Pn100. The default setting is Kv = 40.0 Hz.	Set Pn100 to an appropriate value.	-
	The setting of Pn102 (Position Loop Gain) is too high.	Check the setting of Pn102. The default setting is Kp = 40.0/s.	Set Pn102 to an appropriate value.	-
	The setting of Pn101 (Speed Loop Integral Time Constant) is not appropriate.	Check the setting of Pn101. The default setting is Ti = 20.0 ms.	Set Pn101 to an appropriate value.	-
	The setting of Pn103 (Moment of Inertia Ratio or Mass Ratio) is not appropriate.	Check the setting of Pn103.	Set Pn103 to an appropriate value.	-
	The torque reference is saturated.	Check the waveform of the torque reference.	Use the mode switch.	-
	The force limits (Pn483 and Pn484) are set to the default values.	The default values of the force limits and Pn483 = 30% and Pn484 = 30%.	Set Pn483 and Pn484 to appropriate values.	page 6-17

Continued on next page.

Continued from previous page.

Problem	Possible Cause	Confirmation	Correction	Reference
Absolute Encoder Position Deviation Error (The position that was saved in the host controller when the power was turned OFF is different from the position when the power was next turned ON.)	Noise interference occurred because of incorrect Encoder Cable specifications.	Check the Encoder Cable to see if it satisfies specifications. Use a shielded twisted-pair wire cable or a screened twisted-pair cable with conductors of at least 0.12 mm ² .	Use cables that satisfy the specifications.	-
	Noise interference occurred because the Encoder Cable is too long.	Check the length of the Encoder Cable.	<ul style="list-style-type: none"> Rotary Servomotors: The Encoder Cable length must be 50 m max. Linear Servomotors: Make sure that the Serial Converter Unit cable is no longer than 20 m and that the Linear Encoder Cable and the Sensor Cable are no longer than 15 m each. 	-
	Noise interference occurred because the Encoder Cable is damaged.	Check the Encoder Cable to see if it is pinched or the sheath is damaged.	Replace the Encoder Cable and correct the cable installation environment.	-
	The Encoder Cable was subjected to excessive noise interference.	Check to see if the Encoder Cable is bundled with a high-current line or installed near a high-current line.	Correct the cable layout so that no surge is applied by high-current lines.	-
	There is variation in the FG potential because of the influence of machines on the Servomotor side, such as a welder.	Check to see if the machines are correctly grounded.	Properly ground the machines to separate them from the FG of the encoder.	-
	There is a SERVOPACK pulse counting error due to noise.	Check to see if there is noise interference on the I/O signal line from the encoder or Serial Converter Unit.	Implement countermeasures against noise for the encoder or Serial Converter Unit wiring.	-
	The encoder was subjected to excessive vibration or shock.	Check to see if vibration from the machine occurred. Check the Servomotor installation (mounting surface precision, securing state, and alignment). Check the linear encoder installation (mounting surface precision and securing method).	Reduce machine vibration. Improve the mounting state of the Servomotor or linear encoder.	-
	A failure occurred in the encoder.	-	Replace the Servomotor or linear encoder.	-
A failure occurred in the SERVOPACK.	-	Replace the SERVOPACK.	-	

Continued on next page.

Continued from previous page.

Problem	Possible Cause	Confirmation	Correction	Reference
Overtravel Occurred	The CCW-OT/CW-OT (CCW Drive Prohibit or CW Drive Prohibit) signal was input.	Check the external power supply (+24 V) voltage for the input signals.	Correct the external power supply (+24 V) voltage for the input signals.	-
		Check the operating condition of the overtravel limit switches.	Make sure that the overtravel limit switches operate correctly.	-
		Check the wiring of the overtravel limit switches.	Correct the wiring of the overtravel limit switches.	page 5-28
	The CCW-OT/CW-OT (CCW Drive Prohibit or CW Drive Prohibit) signal malfunctioned.	Check for fluctuation in the external power supply (+24 V) voltage for the input signals.	Eliminate fluctuation from the external power supply (+24 V) voltage for the input signals.	-
		Check to see if the operation of the overtravel limit switches is unstable.	Stabilize the operating condition of the overtravel limit switches.	-
		Check the wiring of the overtravel limit switches (e.g., check for cable damage and loose screws).	Correct the wiring of the overtravel limit switches.	-
	The selection of the Servomotor stopping method is not correct.	Check the servo OFF stopping method set in Pn001 = n.□□□X or Pn001 = n.□□X□.	Select a Servomotor stopping method other than coasting to a stop.	page 5-29
	Improper Stop Position for Overtravel (OT) Signal	The limit switch position and dog length are not appropriate.	-	Install the limit switch at the appropriate position.
The overtravel limit switch position is too close for the coasting distance.		-	Install the overtravel limit switch at the appropriate position.	-

Continued on next page.

Continued from previous page.

Problem	Possible Cause	Confirmation	Correction	Reference
Position Deviation (without Alarm)	Noise interference occurred because of incorrect Encoder Cable specifications.	Check the Encoder Cable to see if it satisfies specifications. Use a shielded twisted-pair wire cable or a screened twisted-pair cable with conductors of at least 0.12 mm ² .	Use cables that satisfy the specifications.	-
	Noise interference occurred because the Encoder Cable is too long.	Check the length of the Encoder Cable.	<ul style="list-style-type: none"> Rotary Servomotors: The Encoder Cable length must be 50 m max. Linear Servomotors: Make sure that the Serial Converter Unit cable is no longer than 20 m and that the Linear Encoder Cable and the Sensor Cable are no longer than 15 m each. 	-
	Noise interference occurred because the Encoder Cable is damaged.	Check the Encoder Cable to see if it is pinched or the sheath is damaged.	Replace the Encoder Cable and correct the cable installation environment.	-
	The Encoder Cable was subjected to excessive noise interference.	Check to see if the Encoder Cable is bundled with a high-current line or installed near a high-current line.	Correct the cable layout so that no surge is applied by high-current lines.	-
	There is variation in the FG potential because of the influence of machines on the Servomotor side, such as a welder.	Check to see if the machines are correctly grounded.	Properly ground the machines to separate them from the FG of the encoder.	-
	There is a SERVOPACK pulse counting error due to noise.	Check to see if there is noise interference on the I/O signal line from the encoder or Serial Converter Unit.	Implement countermeasures against noise for the encoder wiring or Serial Converter Unit wiring.	-

Continued on next page.

Continued from previous page.

Problem	Possible Cause	Confirmation	Correction	Reference
Position Deviation (without Alarm)	The encoder was subjected to excessive vibration or shock.	Check to see if vibration from the machine occurred. Check the Servomotor installation (mounting surface precision, securing state, and alignment). Check the linear encoder installation (mounting surface precision and securing method).	Reduce machine vibration. Improve the mounting state of the Servomotor or linear encoder.	-
	The coupling between the machine and Servomotor is not suitable.	Check to see if position offset occurs at the coupling between machine and Servomotor.	Correctly secure the coupling between the machine and Servomotor.	-
	Noise interference occurred because of incorrect I/O signal cable specifications.	Check the I/O signal cables to see if they satisfy specifications. Use a shielded twisted-pair wire cable or a screened twisted-pair cable with conductors of at least 0.12 mm ² .	Use cables that satisfy the specifications.	-
	Noise interference occurred because an I/O signal cable is too long.	Check the lengths of the I/O signal cables.	The I/O signal cables must be no longer than 3 m.	-
	An encoder fault occurred. (The pulse count does not change.)	-	Replace the Servomotor or linear encoder.	-
	A failure occurred in the SERVOPACK.	-	Replace the SERVOPACK.	-
Servomotor Overheated	The surrounding air temperature is too high.	Measure the surrounding air temperature around the Servomotor.	Reduce the surrounding air temperature to 40°C or less.	-
	The surface of the Servomotor is dirty.	Visually check the surface for dirt.	Clean dirt, dust, and oil from the surface.	-
	There is an overload on the Servomotor.	Check the load status with a monitor.	If the Servomotor is overloaded, reduce the load or replace the Servo Drive with a SERVOPACK and Servomotor with larger capacities.	-
	Polarity detection was not performed correctly.	Check to see if electrical angle 2 (electrical angle from polarity origin) at any position is between ±10°.	Correct the settings for the polarity detection-related parameters.	-

Parameter Lists

This chapter provides information on the parameters.

15.1	List of Parameters	15-2
15.1.1	Interpreting the Parameter Lists	15-2
15.1.2	List of Parameters	15-3
15.2	Parameter Recording Table	15-26


15.1 List of Parameters

15.1.1 Interpreting the Parameter Lists


The types of motors to which the parameter applies.

- All: The parameter is used for both Rotary Servomotors and Linear Servomotors.
- Rotary: The parameter is used for only Rotary Servomotors.
- Linear: The parameter is used for only Linear Servomotors.

Rotary Servomotor terms are used for parameters that are applicable to all Servomotors. If you are using a Linear Servomotor, you need to interpret the terms accordingly. Refer to the following section for details.

 **Differences in Terms for Rotary Servomotors and Linear Servomotors on page xi**

Indicates when a change to the parameter will be effective.

Parameter No.	Size	Name	Setting Range	Setting Unit	Default Setting	Applicable Motors	When Enabled	Classification	Reference
	2	Basic Function Selections 0	0000 hex to 10B1 hex	–	0000 hex	All	After restart	Setup	–
Pn000		<p>If there are differences in the parameters for Rotary Servomotor and Linear Servomotor, information is provided for both.</p> <ul style="list-style-type: none"> • Top row: For Rotary Servomotors • Bottom row: For Linear Servomotors <p>There are the following two classifications.</p> <ul style="list-style-type: none"> • Setup • Tuning <p>Refer to the following section for details.</p> <p> 5.1.1 Parameter Classification on page 5-3</p>							
		n.□□□X	Rotation Direction Selection		Reference				
			Movement Direction Selection						
			0	Use CCW as the forward direction.					
			1	Use the direction in which the linear encoder counts up as the forward direction.					
		n.□□□□	Reserved parameter (Do not change.)		page 5-16				
			Reserved parameter (Do not change.)						
		n.X□□□	Rotary/Linear Servomotor Startup Selection When Encoder Is Not Connected		Reference				
			0	When an encoder is not connected, start as SERVOPACK for Rotary Servomotor.					
			1	When an encoder is not connected, start as SERVOPACK for Linear Servomotor.					

15.1.2 List of Parameters

The following table lists the parameters.

Note: Do not change the following parameters from their default settings.

- Reserved parameters
- Parameters not given in this manual
- Parameters that are not valid for the Servomotor that you are using, as given in the parameter table

Parameter No.	Size	Name	Setting Range	Setting Unit	Default Setting	Applicable Motors	When Enabled	Classification	Reference
Pn000	2	Basic Function Selections 0	0000 hex to 10B1 hex	–	0000 hex	All	After restart	Setup	–
	n.□□□X	Rotation Direction Selection							Reference
		Movement Direction Selection							page 5-16
		0	Use CCW as the forward direction.						
			Use the direction in which the linear encoder counts up as the forward direction.						
	1	Use CW as the forward direction. (Reverse Rotation Mode)							
			Use the direction in which the linear encoder counts down as the forward direction. (Reverse Movement Mode)						
	n.□□X□	Reserved parameter (Do not change.)							
	n.□X□□	Reserved parameter (Do not change.)							
	n.X□□□	Rotary/Linear Servomotor Startup Selection When Encoder Is Not Connected							Reference
0		When an encoder is not connected, start as SERVOPACK for Rotary Servomotor.					page 5-15		
1		When an encoder is not connected, start as SERVOPACK for Linear Servomotor.							
Pn001	2	Application Function Selections 1	0000 hex to 1142 hex	–	0000 hex	All	After restart	Setup	–
	n.□□□X	Motor Stopping Method for Servo OFF and Group 1 Alarms							Reference
		0	Stop the motor by applying the dynamic brake.					page 5-34	
		1	Stop the motor by the applying dynamic brake and then release the dynamic brake.						
		2	Coast the motor to a stop without the dynamic brake.						
	n.□□X□	Reserved parameter (Do not change.)							
	n.□X□□	Main Circuit Power Supply AC/DC Input Selection							Reference
		0	Input AC power as the main circuit power supply using the L1, L2, and L3 terminals (do not use shared converter).					page 5-13	
		1	Input DC power as the main circuit power supply using the B1/⊕ and ⊖ 2 terminals or the B1 and ⊖ 2 terminals (use an external converter or the shared converter).						
	n.X□□□	Reserved parameter (Do not change.)							

Continued on next page.

15.1 List of Parameters

15.1.2 List of Parameters

Continued from previous page.

Parameter No.	Size	Name	Setting Range	Setting Unit	Default Setting	Applicable Motors	When Enabled	Classification	Reference	
Pn002	2	Application Function Selections 2	0000 hex to 4213 hex	-	0000 hex	-	After restart	Setup	-	
	n.□□□X		Reserved parameter (Do not change.)							
	n.□□X□		Reserved parameter (Do not change.)							
	n.□X□□	Encoder Usage						Applicable Motors	Reference	
		0	Use the encoder according to encoder specifications.				All	page 6-18		
		1	Use the encoder as an incremental encoder.							
		2	Use the encoder as a single-turn absolute encoder.				Rotary			
	External Encoder Usage						Applicable Motors		Reference	
	n.X□□□	0	Do not use an external encoder.				Rotary	page 10-6		
		1	The external encoder moves in the forward direction for CCW motor rotation.							
		2	Reserved setting (Do not use.)							
		3	The external encoder moves in the reverse direction for CCW motor rotation.							
		4	Reserved setting (Do not use.)							

Continued on next page.

Continued from previous page.

Parameter No.	Size	Name	Setting Range	Setting Unit	Default Setting	Applicable Motors	When Enabled	Classification	Reference																																																															
Pn006	2	Application Function Selections 6	0000 hex to 105F hex	–	0002 hex	All	Immediately	Setup	page 9-10																																																															
		<table border="1"> <thead> <tr> <th colspan="2">Analog Monitor 1 Signal Selection</th> </tr> </thead> <tbody> <tr> <td rowspan="2">00</td> <td>Motor speed (1 V/1,000 min⁻¹)</td> </tr> <tr> <td>Motor speed (1 V/1,000 mm/s)</td> </tr> <tr> <td rowspan="2">01</td> <td>Speed reference (1 V/1,000 min⁻¹)</td> </tr> <tr> <td>Speed reference (1 V/1,000 mm/s)</td> </tr> <tr> <td rowspan="2">02</td> <td>Torque reference (1 V/100% rated torque)</td> </tr> <tr> <td>Force reference (1 V/100% rated force)</td> </tr> <tr> <td>03</td> <td>Position deviation (0.05 V/reference unit)</td> </tr> <tr> <td rowspan="2">04</td> <td>Position amplifier deviation (after electronic gear) (0.05 V/encoder pulse unit)</td> </tr> <tr> <td>Position amplifier deviation (after electronic gear) (0.05 V/linear encoder pulse unit)</td> </tr> <tr> <td rowspan="2">05</td> <td>Position reference speed (1 V/1,000 min⁻¹)</td> </tr> <tr> <td>Position reference speed (1 V/1,000 mm/s)</td> </tr> <tr> <td>06</td> <td>Reserved setting (Do not use.)</td> </tr> <tr> <td>07</td> <td>Load-motor position deviation (0.01 V/reference unit)</td> </tr> <tr> <td>08</td> <td>Positioning completion (positioning completed: 5 V, positioning not completed: 0 V)</td> </tr> <tr> <td rowspan="2">09</td> <td>Speed feedforward (1 V/1,000 min⁻¹)</td> </tr> <tr> <td>Speed feedforward (1 V/1,000 mm/s)</td> </tr> <tr> <td rowspan="2">0A</td> <td>Torque feedforward (1 V/100% rated torque)</td> </tr> <tr> <td>Force feedforward (1 V/100% rated force)</td> </tr> <tr> <td>0B</td> <td>Active gain (1st gain: 1 V, 2nd gain: 2 V)</td> </tr> <tr> <td>0C</td> <td>Completion of position reference distribution (completed: 5 V, not completed: 0 V)</td> </tr> <tr> <td>0D</td> <td>External encoder speed (1 V/1,000 min⁻¹: value at the motor shaft)</td> </tr> <tr> <td>0E</td> <td>Reserved setting (Do not use.)</td> </tr> <tr> <td>0F</td> <td>Reserved setting (Do not use.)</td> </tr> <tr> <td>10</td> <td>Main circuit DC voltage</td> </tr> <tr> <td>11 to 5F</td> <td>Reserved settings (Do not use.)</td> </tr> <tr> <td>n.□□□□</td> <td colspan="8">Reserved parameter (Do not change.)</td> </tr> <tr> <td>n.X□□□</td> <td colspan="8">Reserved parameter (Do not change.)</td> </tr> </tbody> </table>								Analog Monitor 1 Signal Selection		00	Motor speed (1 V/1,000 min ⁻¹)	Motor speed (1 V/1,000 mm/s)	01	Speed reference (1 V/1,000 min ⁻¹)	Speed reference (1 V/1,000 mm/s)	02	Torque reference (1 V/100% rated torque)	Force reference (1 V/100% rated force)	03	Position deviation (0.05 V/reference unit)	04	Position amplifier deviation (after electronic gear) (0.05 V/encoder pulse unit)	Position amplifier deviation (after electronic gear) (0.05 V/linear encoder pulse unit)	05	Position reference speed (1 V/1,000 min ⁻¹)	Position reference speed (1 V/1,000 mm/s)	06	Reserved setting (Do not use.)	07	Load-motor position deviation (0.01 V/reference unit)	08	Positioning completion (positioning completed: 5 V, positioning not completed: 0 V)	09	Speed feedforward (1 V/1,000 min ⁻¹)	Speed feedforward (1 V/1,000 mm/s)	0A	Torque feedforward (1 V/100% rated torque)	Force feedforward (1 V/100% rated force)	0B	Active gain (1st gain: 1 V, 2nd gain: 2 V)	0C	Completion of position reference distribution (completed: 5 V, not completed: 0 V)	0D	External encoder speed (1 V/1,000 min ⁻¹ : value at the motor shaft)	0E	Reserved setting (Do not use.)	0F	Reserved setting (Do not use.)	10	Main circuit DC voltage	11 to 5F	Reserved settings (Do not use.)	n.□□□□	Reserved parameter (Do not change.)								n.X□□□	Reserved parameter (Do not change.)							
	Analog Monitor 1 Signal Selection																																																																							
	00	Motor speed (1 V/1,000 min ⁻¹)																																																																						
		Motor speed (1 V/1,000 mm/s)																																																																						
	01	Speed reference (1 V/1,000 min ⁻¹)																																																																						
		Speed reference (1 V/1,000 mm/s)																																																																						
	02	Torque reference (1 V/100% rated torque)																																																																						
		Force reference (1 V/100% rated force)																																																																						
	03	Position deviation (0.05 V/reference unit)																																																																						
	04	Position amplifier deviation (after electronic gear) (0.05 V/encoder pulse unit)																																																																						
		Position amplifier deviation (after electronic gear) (0.05 V/linear encoder pulse unit)																																																																						
	05	Position reference speed (1 V/1,000 min ⁻¹)																																																																						
		Position reference speed (1 V/1,000 mm/s)																																																																						
	06	Reserved setting (Do not use.)																																																																						
	07	Load-motor position deviation (0.01 V/reference unit)																																																																						
	08	Positioning completion (positioning completed: 5 V, positioning not completed: 0 V)																																																																						
	09	Speed feedforward (1 V/1,000 min ⁻¹)																																																																						
		Speed feedforward (1 V/1,000 mm/s)																																																																						
	0A	Torque feedforward (1 V/100% rated torque)																																																																						
		Force feedforward (1 V/100% rated force)																																																																						
	0B	Active gain (1st gain: 1 V, 2nd gain: 2 V)																																																																						
	0C	Completion of position reference distribution (completed: 5 V, not completed: 0 V)																																																																						
	0D	External encoder speed (1 V/1,000 min ⁻¹ : value at the motor shaft)																																																																						
	0E	Reserved setting (Do not use.)																																																																						
	0F	Reserved setting (Do not use.)																																																																						
	10	Main circuit DC voltage																																																																						
	11 to 5F	Reserved settings (Do not use.)																																																																						
	n.□□□□	Reserved parameter (Do not change.)																																																																						
n.X□□□	Reserved parameter (Do not change.)																																																																							

Continued on next page.

Continued from previous page.

Parameter No.	Size	Name	Setting Range	Setting Unit	Default Setting	Applicable Motors	When Enabled	Classification	Reference		
Pn007	2	Application Function Selections 7	0000 hex to 105F hex	-	0000 hex	All	Immediately	Setup	page 9-10		
	n.□□XX	Analog Monitor 2 Signal Selection									
		00	Motor speed (1 V/1,000 min ⁻¹) Motor speed (1 V/1,000 mm/s)								
		01	Speed reference (1 V/1,000 min ⁻¹) Speed reference (1 V/1,000 mm/s)								
		02	Torque reference (1 V/100% rated torque) Force reference (1 V/100% rated force)								
		03	Position deviation (0.05 V/reference unit)								
		04	Position amplifier deviation (after electronic gear) (0.05 V/encoder pulse unit)								
			Position amplifier deviation (after electronic gear) (0.05 V/linear encoder pulse unit)								
		05	Position reference speed (1 V/1,000 min ⁻¹)								
			Position reference speed (1 V/1,000 mm/s)								
		06	Reserved setting (Do not use.)								
		07	Load-motor position deviation (0.01 V/reference unit)								
		08	Positioning completion (positioning completed: 5 V, positioning not completed: 0 V)								
		09	Speed feedforward (1 V/1,000 min ⁻¹)								
			Speed feedforward (1 V/1,000 mm/s)								
		0A	Torque feedforward (1 V/100% rated torque)								
			Force feedforward (1 V/100% rated force)								
		0B	Active gain (1st gain: 1 V, 2nd gain: 2 V)								
		0C	Completion of position reference distribution (completed: 5 V, not completed: 0 V)								
		0D	External encoder speed (1 V/1,000 min ⁻¹ : value at the motor shaft)								
		0E	Reserved setting (Do not use.)								
		0F	Reserved setting (Do not use.)								
		10	Main circuit DC voltage								
		11 to 5F	Reserved settings (Do not use.)								
		n.□X□□	Reserved parameter (Do not change.)								
		n.X□□□	Reserved parameter (Do not change.)								

Continued on next page.

Continued from previous page.

Parameter No.	Size	Name	Setting Range	Setting Unit	Default Setting	Applicable Motors	When Enabled	Classification	Reference	
Pn008	2	Application Function Selections 8	0000 hex to 7121 hex	–	4000 hex	Rotary	After restart	Setup	–	
	n.□□□X	Low Battery Voltage Alarm/Warning Selection							Reference	
		0	Output alarm (A.830) for low battery voltage.							page 14-3
	1	Output warning (A.930) for low battery voltage.								
	n.□□X□	Function Selection for Undervoltage							Reference	
		0	Do not detect undervoltage.							page 6-6
		1	Detect undervoltage warning and limit torque at host controller.							
	2	Detect undervoltage warning and limit torque with Pn424 and Pn425 (i.e., only in SERVOPACK).								
	n.□X□□	Warning Detection Selection							Reference	
		0	Detect warnings.							page 14-49
1	Do not detect warnings except for A.971.									
n.X□□□	Reserved parameter (Do not change.)									
Pn009	2	Application Function Selections 9	0000 hex to 0121 hex	–	0010 hex	All	After restart	Tuning	–	
	n.□□□X	Reserved parameter (Do not change.)								
	n.□□X□	Current Control Mode Selection							Reference	
		0	Use current control mode 1.							page 8-73
		1	<ul style="list-style-type: none"> • SERVOPACK Models SGD7S-R70A, -R90A, -1R6A, -2R8A, -3R8A, -5R5A, and -7R6A: Use current control mode 1. • SERVOPACK Models SGD7S-120A, -180A, -200A, -330A, -470A, -550A, -590A, and -780A: Use current control mode 2. 							
	2	Use current control mode 2.								
	n.□X□□	Speed Detection Method Selection							Reference	
		0	Use speed detection 1.							page 8-74
	1	Use speed detection 2.								
	n.X□□□	Reserved parameter (Do not change.)								

Continued on next page.

15.1 List of Parameters

15.1.2 List of Parameters

Continued from previous page.

Parameter No.	Size	Name	Setting Range	Setting Unit	Default Setting	Applicable Motors	When Enabled	Classification	Reference	
Pn00A	2	Application Function Selections A	0000 hex to 1044 hex	-	0001 hex	All	After restart	Setup	-	
			Motor Stopping Method for Group 2 Alarms							Reference
	n.□□□X		0	Apply the dynamic brake or coast the motor to a stop (use the stopping method set in Pn001 = n.□□□X).						page 5-35
			1	Decelerate the motor to a stop using the torque set in Pn406 as the maximum torque. Use the setting of Pn001 = n.□□□X for the status after stopping.						
			2	Decelerate the motor to a stop using the torque set in Pn406 as the maximum torque and then let the motor coast.						
			3	Decelerate the motor to a stop using the deceleration time set in Pn30A. Use the setting of Pn001 = n.□□□X for the status after stopping.						
			4	Decelerate the motor to a stop using the deceleration time set in Pn30A and then let the motor coast.						
	n.□□X□		Reserved parameter (Do not change.)							
	n.□X□□		Reserved parameter (Do not change.)							
	n.X□□□		Reserved parameter (Do not change.)							
Pn00B	2	Application Function Selections B	0000 hex to 1121 hex	-	0000 hex	All	After restart	Setup	-	
	n.□□□X		Operator Parameter Display Selection							Reference
			0	Display only setup parameters.						page 5-3
			1	Display all parameters.						
	n.□□X□		Motor Stopping Method for Group 2 Alarms							Reference
			0	Stop the motor by setting the speed reference to 0.						page 5-35
			1	Apply the dynamic brake or coast the motor to a stop (use the stopping method set in Pn001 = n.□□□X).						
			2	Set the stopping method with Pn00A = n.□□□X.						
	n.□X□□		Power Input Selection for Three-phase SERVOPACK							Reference
			0	Use a three-phase power supply input.						page 5-14
		1	Use a three-phase power supply input and as a single-phase power supply input.							
n.X□□□		Reserved parameter (Do not change.)								

Continued on next page.

Continued from previous page.

Parameter No.	Size	Name	Setting Range	Setting Unit	Default Setting	Applicable Motors	When Enabled	Classification	Reference	
Pn00C	2	Application Function Selections C	0000 hex to 0131 hex	-	0000 hex	-	After restart	Setup	page 7-20	
	n.□□□X		Function Selection for Test without a Motor						Applicable Motors	
			0	Disable tests without a motor.					All	
			1	Enable tests without a motor.						
	n.□□X□		Encoder Resolution for Tests without a Motor						Applicable Motors	
			0	Use 13 bits.					Rotary	
			1	Use 20 bits.						
			2	Use 22 bits.						
			3	Use 24 bits.						
	n.□X□□		Encoder Type Selection for Tests without a Motor						Applicable Motors	
		0	Use an incremental encoder.					All		
		1	Use an absolute encoder.							
n.X□□□		Reserved parameter (Do not change.)								
Pn00D	2	Application Function Selections D	0000 hex to 1001 hex	-	0000 hex	All	After restart	Setup	-	
	n.□□□X		Stand-alone Mode (Test Operation) Selection							
			0	Enable connection with the Command Option Module.						
			1	Disable connection with the Command Option Module.						
	n.□□X□		Reserved parameter (Do not change.)							
	n.□X□□		Reserved parameter (Do not change.)							
	n.X□□□		Reserved parameter (Do not change.)							
Pn00E	2	Reserved parameter (Do not change.)	-	-	0000 hex	All	-	-	-	
Pn00F	2	Application Function Selections F	0000 hex to 2011 hex	-	0000 hex	All	After restart	Setup	-	
	n.□□□X		Preventative Maintenance Warning Selection						Reference	
			0	Do not detect preventative maintenance warnings.					page 9-15	
			1	Detect preventative maintenance warnings.						
	n.□□X□		Reserved parameter (Do not change.)							
	n.□X□□		Reserved parameter (Do not change.)							
n.X□□□		Reserved parameter (Do not change.)								
Pn010	2	Axis Address Selection (For UART/USB Communications)	0000 hex to 007F hex	-	0001 hex	All	After restart	Setup	-	
Pn021	2	Reserved parameter (Do not change.)	-	-	0000 hex	All	-	-	-	
Pn022	2	Reserved parameter (Do not change.)	-	-	0000 hex	All	-	-	-	

Continued on next page.

15.1 List of Parameters

15.1.2 List of Parameters

Continued from previous page.

Parameter No.	Size	Name	Setting Range	Setting Unit	Default Setting	Applicable Motors	When Enabled	Classification	Reference		
Pn040	2	Σ-V Compatible Function Switch	0000 hex to 2111 hex	-	0000 hex	-	After restart	Setup	-		
	n.□□□X		Communications Interface Compatibility Selection						Applicable Motors		
			0	Perform Σ-7 communications.						All	
			1	Perform Σ-V communications.							
	n.□□X□		Encoder Resolution Compatibility Selection						Applicable Motors		
			0	Use the encoder resolution of the connected motor.						Rotary	
			1	Use a resolution of 20 bits when connected to an SGM7J, SGM7A, SGM7P, or SGM7G motor.							
n.□X□□		Reserved parameter (Do not change.)									
n.X□□□		Reserved parameter (Do not change.)									
Pn080	2	Application Function Selections 80	0000 hex to 1111 hex	-	0000 hex	Linear	After restart	Setup	-		
	n.□□□X		Polarity Sensor Selection						Reference		
			0	Use polarity sensor.						page 5-24	
			1	Do not use polarity sensor.							
	n.□□X□		Motor Phase Sequence Selection						Reference		
			0	Set a phase-A lead as a phase sequence of U, V, and W.						page 5-22	
			1	Set a phase-B lead as a phase sequence of U, V, and W.							
n.□X□□		Reserved parameter (Do not change.)									
n.X□□□		Calculation Method for Maximum Speed or Encoder Output Pulses						Reference			
		0	Calculate the encoder output pulse setting for a fixed maximum speed.						page 16-3		
		1	Calculate the maximum speed for a fixed encoder output pulse setting.								
Pn081	2	Application Function Selections 81	0000 hex to 1111 hex	-	0000 hex	All	After restart	Setup	page 6-9		
	n.□□□X		Phase-C Pulse Output Selection								
			0	Output phase-C pulses only in the forward direction.							
			1	Output phase-C pulses in both the forward and reverse directions.							
	n.□□X□		Reserved parameter (Do not change.)								
	n.□X□□		Reserved parameter (Do not change.)								
n.X□□□		Reserved parameter (Do not change.)									
Pn100	2	Speed Loop Gain	10 to 20,000	0.1 Hz	400	All	Immediately	Tuning	page 8-79		
Pn101	2	Speed Loop Integral Time Constant	15 to 51,200	0.01 ms	2000	All	Immediately	Tuning	page 8-79		
Pn102	2	Position Loop Gain	10 to 20,000	0.1/s	400	All	Immediately	Tuning	page 8-79		
Pn103	2	Moment of Inertia Ratio	0 to 20,000	1%	100	All	Immediately	Tuning	page 8-79		
Pn104	2	Second Speed Loop Gain	10 to 20,000	0.1 Hz	400	All	Immediately	Tuning	page 8-66		

Continued on next page.

Continued from previous page.

Parameter No.	Size	Name	Setting Range	Setting Unit	Default Setting	Applicable Motors	When Enabled	Classification	Reference	
Pn105	2	Second Speed Loop Integral Time Constant	15 to 51,200	0.01 ms	2000	All	Immediately	Tuning	page 8-66	
Pn106	2	Second Position Loop Gain	10 to 20,000	0.1/s	400	All	Immediately	Tuning	page 8-66	
Pn109	2	Feedforward	0 to 100	1%	0	All	Immediately	Tuning	page 8-89	
Pn10A	2	Feedforward Filter Time Constant	0 to 6,400	0.01 ms	0	All	Immediately	Tuning	page 8-89	
Pn10B	2	Gain Application Selections	0000 hex to 5334 hex	-	0000 hex	All	-	Setup	-	
	n.□□□X	Mode Switching Selection						When Enabled	Reference	page 8-90
		0	Use the internal torque reference as the condition (level setting: Pn10C).					Immediately		
		1	Use the speed reference as the condition (level setting: Pn10D).							
			Use the speed reference as the condition (level setting: Pn181).							
		2	Use the acceleration reference as the condition (level setting: Pn10E).							
			Use the acceleration reference as the condition (level setting: Pn182).							
	3	Use the position deviation as the condition (level setting: Pn10F).								
	4	Do not use mode switching.								
	n.□□X□	Speed Loop Control Method						When Enabled	Reference	page 8-79
0		PI control					After restart			
1		I-P control								
2, 3		Reserved settings (Do not use.)								
n.□X□□	Reserved parameter (Do not change.)									
n.X□□□	Reserved parameter (Do not change.)									
Pn10C	2	Mode Switching Level for Torque Reference	0 to 800	1%	200	All	Immediately	Tuning	page 8-90	
Pn10D	2	Mode Switching Level for Speed Reference	0 to 10,000	1 min ⁻¹	0	Rotary	Immediately	Tuning	page 8-90	
Pn10E	2	Mode Switching Level for Acceleration	0 to 30,000	1 min ⁻¹ /s	0	Rotary	Immediately	Tuning	page 8-90	
Pn10F	2	Mode Switching Level for Position Deviation	0 to 10,000	1 reference unit	0	All	Immediately	Tuning	page 8-90	
Pn11F	2	Position Integral Time Constant	0 to 50,000	0.1 ms	0	All	Immediately	Tuning	page 8-92	
Pn121	2	Friction Compensation Gain	10 to 1,000	1%	100	All	Immediately	Tuning	page 8-66, page 8-69	
Pn122	2	Second Friction Compensation Gain	10 to 1,000	1%	100	All	Immediately	Tuning	page 8-66, page 8-69	
Pn123	2	Friction Compensation Coefficient	0 to 100	1%	0	All	Immediately	Tuning	page 8-69	
Pn124	2	Friction Compensation Frequency Correction	-10,000 to 10,000	0.1 Hz	0	All	Immediately	Tuning	page 8-69	
Pn125	2	Friction Compensation Gain Correction	1 to 1,000	1%	100	All	Immediately	Tuning	page 8-69	

Continued on next page.

15.1 List of Parameters

15.1.2 List of Parameters

Continued from previous page.

Parameter No.	Size	Name	Setting Range	Setting Unit	Default Setting	Applicable Motors	When Enabled	Classification	Reference		
Pn131	2	Gain Switching Time 1	0 to 65,535	1 ms	0	All	Immediately	Tuning	page 8-66		
Pn132	2	Gain Switching Time 2	0 to 65,535	1 ms	0	All	Immediately	Tuning	page 8-66		
Pn135	2	Gain Switching Waiting Time 1	0 to 65,535	1 ms	0	All	Immediately	Tuning	page 8-66		
Pn136	2	Gain Switching Waiting Time 2	0 to 65,535	1 ms	0	All	Immediately	Tuning	page 8-66		
Pn139	2	Automatic Gain Switching Selections 1	0000 hex to 0052 hex	-	0000 hex	All	Immediately	Tuning	page 8-66		
		Gain Switching Selection									
		n.□□□X	0	Disable automatic gain switching.							
			1	Reserved setting (Do not use.)							
			2	Enable automatic gain switching.							
		Gain Switching Condition A									
		n.□□□□	0	/COIN (Positioning Completion Output) signal turns ON.							
1	/COIN (Positioning Completion Output) signal turns OFF.										
2	/NEAR (Near Output) signal turns ON.										
3	/NEAR (Near Output) signal turns OFF.										
4	Position reference filter output is 0 and position reference input is OFF.										
n.□X□□	Reserved parameter (Do not change.)										
n.X□□□	Reserved parameter (Do not change.)										
Pn13D	2	Current Gain Level	100 to 2,000	1%	2000	All	Immediately	Tuning	page 8-73		
Pn140	2	Model Following Control-Related Selections	0000 hex to 1121 hex	-	0100 hex	All	Immediately	Tuning	-		
		Model Following Control Selection									
		n.□□□X	0	Do not use model following control.							page 8-79
			1	Use model following control.							
		Vibration Suppression Selection									Reference page 8-79
		n.□□□□	0	Do not perform vibration suppression.							
			1	Perform vibration suppression for a specific frequency.							
2	Perform vibration suppression for two specific frequencies.										
Vibration Suppression Adjustment Selection									Reference page 8-32		
n.□X□□	0	Do not adjust vibration suppression automatically during execution of autotuning without a host reference, autotuning with a host reference, and custom tuning.									
	1	Adjust vibration suppression automatically during execution of autotuning without a host reference, autotuning with a host reference, and custom tuning.									
n.X□□□	Reserved parameter (Do not change.)										
Pn141	2	Model Following Control Gain	10 to 20,000	0.1/s	500	All	Immediately	Tuning	page 8-79		
Pn142	2	Model Following Control Gain Correction	500 to 2,000	0.1%	1000	All	Immediately	Tuning	-		
Pn143	2	Model Following Control Bias in the Forward Direction	0 to 10,000	0.1%	1000	All	Immediately	Tuning	page 8-79		

Continued on next page.

Continued from previous page.

Parameter No.	Size	Name	Setting Range	Setting Unit	Default Setting	Applicable Motors	When Enabled	Classification	Reference		
Pn144	2	Model Following Control Bias in the Reverse Direction	0 to 10,000	0.1%	1000	All	Immediately	Tuning	page 8-79		
Pn145	2	Vibration Suppression 1 Frequency A	10 to 2,500	0.1 Hz	500	All	Immediately	Tuning	page 8-56		
Pn146	2	Vibration Suppression 1 Frequency B	10 to 2,500	0.1 Hz	700	All	Immediately	Tuning	page 8-56		
Pn147	2	Model Following Control Speed Feedforward Compensation	0 to 10,000	0.1%	1000	All	Immediately	Tuning	page 8-79		
Pn148	2	Second Model Following Control Gain	10 to 20,000	0.1/s	500	All	Immediately	Tuning	-		
Pn149	2	Second Model Following Control Gain Correction	500 to 2,000	0.1%	1000	All	Immediately	Tuning	-		
Pn14A	2	Vibration Suppression 2 Frequency	10 to 2,000	0.1 Hz	800	All	Immediately	Tuning	page 8-56		
Pn14B	2	Vibration Suppression 2 Correction	10 to 1,000	1%	100	All	Immediately	Tuning	page 8-56		
Pn14F	2	Control-Related Selections	0000 hex to 0021 hex	-	0021 hex	All	After restart	Tuning	-		
	n.□□□X		Model Following Control Type Selection						Reference		
			0	Use model following control type 1.						page 8-89	
			1	Use model following control type 2.							
	n.□□X□		Tuning-less Type Selection						Reference		
			0	Use tuning-less type 1.						page 8-12	
		1	Use tuning-less type 2.								
		2	Use tuning-less type 3.								
n.□X□□		Reserved parameter (Do not change.)									
n.X□□□		Reserved parameter (Do not change.)									
Pn160	2	Anti-Resonance Control-Related Selections	0000 hex to 0011 hex	-	0010 hex	All	Immediately	Tuning	-		
	n.□□□X		Anti-Resonance Control Selection						Reference		
			0	Do not use anti-resonance control.						page 8-51	
			1	Use anti-resonance control.							
	n.□□X□		Anti-Resonance Control Adjustment Selection						Reference		
			0	Do not adjust anti-resonance control automatically during execution of autotuning without a host reference, autotuning with a host reference, and custom tuning.						page 8-31	
		1	Adjust anti-resonance control automatically during execution of autotuning without a host reference, autotuning with a host reference, and custom tuning.								
n.□X□□		Reserved parameter (Do not change.)									
n.X□□□		Reserved parameter (Do not change.)									
Pn161	2	Anti-Resonance Frequency	10 to 20,000	0.1 Hz	1000	All	Immediately	Tuning	page 8-51		
Pn162	2	Anti-Resonance Gain Correction	1 to 1,000	1%	100	All	Immediately	Tuning	page 8-51		
Pn163	2	Anti-Resonance Damping Gain	0 to 300	1%	0	All	Immediately	Tuning	page 8-51		

Continued on next page.

15.1 List of Parameters

15.1.2 List of Parameters

Continued from previous page.

Parameter No.	Size	Name	Setting Range	Setting Unit	Default Setting	Applicable Motors	When Enabled	Classification	Reference		
Pn164	2	Anti-Resonance Filter Time Constant 1 Correction	-1,000 to 1,000	0.01 ms	0	All	Immediately	Tuning	page 8-51		
Pn165	2	Anti-Resonance Filter Time Constant 2 Correction	-1,000 to 1,000	0.01 ms	0	All	Immediately	Tuning	page 8-51		
Pn166	2	Anti-Resonance Damping Gain 2	0 to 1,000	1%	0	All	Immediately	Tuning	page 8-51		
Pn170	2	Tuning-less Function-Related Selections	0000 hex to 2711 hex	-	1401 hex	All	-	Setup	page 8-11		
	n.□□□X		Tuning-less Selection					When Enabled			
			0	Disable tuning-less function.					After restart		
			1	Enable tuning-less function.							
	n.□□X□		Reserved parameter (Do not change.)								
	n.□X□□		Rigidity Level					When Enabled			
		0 to 7	Set the rigidity level.					Immediately			
n.X□□□		Tuning-less Load Level					When Enabled				
		0 to 2	Set the load level for the tuning-less function.					Immediately			
Pn181	2	Mode Switching Level for Speed Reference	0 to 10,000	1 mm/s	0	Linear	Immediately	Tuning	page 8-90		
Pn182	2	Mode Switching Level for Acceleration	0 to 30,000	1 mm/s ²	0	Linear	Immediately	Tuning	page 8-90		
Pn205	2	Multiturn Limit	0 to 65,535	1 rev	65535	Rotary	After restart	Setup	page 6-19		
Pn207	2	Position Control Function Selections	0000 hex to 2210 hex	-	0010 hex	All	After restart	Setup	-		
	n.□□□X		Reserved parameter (Do not change.)								
	n.□□X□		Reserved parameter (Do not change.)								
	n.□X□□		Reserved parameter (Do not change.)								
	n.X□□□		/COIN (Positioning Completion Output) Signal Output Timing						Reference		
			0	Output when the absolute value of the position deviation is the same or less than the setting of Pn522 (Positioning Completed Width).					page 8-66		
		1	Output when the absolute value of the position error is the same or less than the setting of Pn522 (Positioning Completed Width) and the reference after the position reference filter is 0.								
		2	Output when the absolute value of the position error is the same or less than the setting of Pn522 (Positioning Completed Width) and the reference input is 0.								
Pn20A	4	Number of External Encoder Scale Pitches	4 to 1,048,576	1 scale pitch/revolution	32768	Rotary	After restart	Setup	page 10-7		
Pn20E	4	Electronic Gear Ratio (Numerator)	1 to 1,073,741,824	1	64	All	After restart	Setup	page 5-40		
Pn210	4	Electronic Gear Ratio (Denominator)	1 to 1,073,741,824	1	1	All	After restart	Setup	page 5-40		

Continued on next page.

Continued from previous page.

Parameter No.	Size	Name	Setting Range	Setting Unit	Default Setting	Applicable Motors	When Enabled	Classification	Reference	
Pn212	4	Number of Encoder Output Pulses	16 to 1,073,741,824	1 P/Rev	2048	Rotary	After restart	Setup	page 6-14	
Pn217	2	Reserved parameter (Do not change.)	-	-	0	All	-	-	-	
Pn22A	2	Fully-closed Control Selections	0000 hex to 1003 hex	-	0000 hex	Rotary	After restart	Setup	page 10-9	
		n.□□□X	Reserved parameter (Do not change.)							
		n.□□X□	Reserved parameter (Do not change.)							
		n.□X□□	Reserved parameter (Do not change.)							
		n.X□□□	Fully-closed Control Speed Feedback Selection							
		0	Use motor encoder speed.							
		1	Use external encoder speed.							
Pn230	2	Position Control Expansion Function Selection	0000 hex to 0001 hex	-	0000 hex	All	After restart	Setup	page 8-73	
		n.□□□X	Backlash Compensation Direction							
			0	Compensate for backlash for forward references.						
			1	Compensate for backlash for reverse references.						
			n.□□X□	Reserved parameter (Do not change.)						
			n.□X□□	Reserved parameter (Do not change.)						
		n.X□□□	Reserved parameter (Do not change.)							
Pn231	4	Backlash Compensation Value	-500,000 to 500,000	0.1 reference units	0	All	Immediately	Setup	page 8-73	
Pn233	2	Backlash Compensation Time Constant	0 to 65,535	0.01 ms	0	All	Immediately	Setup	page 8-73	
Pn281	2	Encoder Output Resolution	1 to 4,096	1 edge/pitch	20	All	After restart	Setup	page 6-14	
Pn282	4	Linear Encoder Scale Pitch	0 to 6,553,600	0.01 μm	0	Linear	After restart	Setup	page 5-17	
Pn304	2	Jogging Speed	0 to 10,000	Rotary: 1 min ⁻¹ Direct Drive: 0.1 min ⁻¹	500	Rotary	Immediately	Setup	page 7-6	
Pn305	2	Soft Start Acceleration Time	0 to 10,000	1 ms	0	All	Immediately	Setup	page 7-6	
Pn306	2	Soft Start Deceleration Time	0 to 10,000	1 ms	0	All	Immediately	Setup	page 7-6	
Pn308	2	Speed Feedback Filter Time Constant	0 to 65,535	0.01 ms	0	All	Immediately	Setup	page 8-74	
Pn30A	2	Deceleration Time for Servo OFF and Forced Stops	0 to 10,000	1 ms	0	All	Immediately	Setup	page 5-36	
Pn30C	2	Reserved parameter (Do not change.)	-	-	0	All	-	-	-	

Continued on next page.

15.1 List of Parameters

15.1.2 List of Parameters

Continued from previous page.

Parameter No.	Size	Name	Setting Range	Setting Unit	Default Setting	Applicable Motors	When Enabled	Classification	Reference	
Pn310	2	Vibration Detection Selections	0000 hex to 0002 hex	-	0000 hex	All	Immediately	Setup	page 6-26	
	n.□□□X		Vibration Detection Selection							
			0	Do not detect vibration.						
			1	Output a warning (A.911) if vibration is detected.						
			2	Output an alarm (A.520) if vibration is detected.						
	n.□□X□		Reserved parameter (Do not change.)							
n.□X□□		Reserved parameter (Do not change.)								
n.X□□□		Reserved parameter (Do not change.)								
Pn311	2	Vibration Detection Sensitivity	50 to 500	1%	100	All	Immediately	Tuning	page 6-26	
Pn312	2	Vibration Detection Level	0 to 5,000	1 min ⁻¹	50	Rotary	Immediately	Tuning	page 6-26	
Pn316	2	Maximum Motor Speed	0 to 65,535	1 min ⁻¹	10000	Rotary	After restart	Setup	page 6-8	
Pn324	2	Moment of Inertia Calculation Starting Level	0 to 20,000	1%	300	All	Immediately	Setup	page 8-30	
Pn383	2	Jogging Speed	0 to 10,000	1 mm/s	50	Linear	Immediately	Setup	page 7-6	
Pn384	2	Vibration Detection Level	0 to 5,000	1 mm/s	10	Linear	Immediately	Tuning	page 6-26	
Pn385	2	Maximum Motor Speed	1 to 100	100 mm/s	50	Linear	After restart	Setup	page 6-8	
Pn401	2	First Stage First Torque Reference Filter Time Constant	0 to 65,535	0.01 ms	100	All	Immediately	Tuning	page 8-82	
Pn402	2	Forward Torque Limit	0 to 800	1%*1	800	Rotary	Immediately	Setup	page 6-17	
Pn403	2	Reverse Torque Limit	0 to 800	1%*1	800	Rotary	Immediately	Setup	page 6-17	
Pn404	2	Reserved parameter (Do not change.)	-	-	100	All	-	-	-	
Pn405	2	Reserved parameter (Do not change.)	-	-	100	All	-	-	-	
Pn406	2	Emergency Stop Torque	0 to 800	1%*1	800	All	Immediately	Setup	page 5-34	
Pn407	2	Reserved parameter (Do not change.)	-	-	10000	Rotary	-	-	-	

Continued on next page.

Continued from previous page.

Parameter No.	Size	Name	Setting Range	Setting Unit	Default Setting	Applicable Motors	When Enabled	Classification	Reference	
Pn408	2	Torque-Related Function Selections	0000 hex to 1111 hex	-	0000 hex	All	-	Setup	-	
	n.□□□X	Notch Filter Selection 1						When Enabled	Reference	
		0	Disable first stage notch filter.					Immediately	page 8-82	
		1	Enable first stage notch filter.							
	n.□□X□	Reserved parameter (Do not change.)								
	n.□X□□	Notch Filter Selection 2						When Enabled	Reference	
		0	Disable second stage notch filter.					Immediately	page 8-82	
		1	Enable second stage notch filter.							
	n.X□□□	Friction Compensation Function Selection						When Enabled	Reference	
		0	Disable friction compensation.					Immediately	page 8-69	
		1	Enable friction compensation.							
	Pn409	2	First Stage Notch Filter Frequency	50 to 5,000	1 Hz	5000	All	Immediately	Tuning	page 8-82
	Pn40A	2	First Stage Notch Filter Q Value	50 to 1,000	0.01	70	All	Immediately	Tuning	page 8-82
	Pn40B	2	First Stage Notch Filter Depth	0 to 1,000	0.001	0	All	Immediately	Tuning	page 8-82
	Pn40C	2	Second Stage Notch Filter Frequency	50 to 5,000	1 Hz	5000	All	Immediately	Tuning	page 8-82
Pn40D	2	Second Stage Notch Filter Q Value	50 to 1,000	0.01	70	All	Immediately	Tuning	page 8-82	
Pn40E	2	Second Stage Notch Filter Depth	0 to 1,000	0.001	0	All	Immediately	Tuning	page 8-82	
Pn40F	2	Second Stage Second Torque Reference Filter Frequency	100 to 5,000	1 Hz	5000	All	Immediately	Tuning	page 8-82	
Pn410	2	Second Stage Second Torque Reference Filter Q Value	50 to 100	0.01	50	All	Immediately	Tuning	page 8-82	
Pn412	2	First Stage Second Torque Reference Filter Time Constant	0 to 65,535	0.01 ms	100	All	Immediately	Tuning	page 8-66	
Pn416	2	Torque-Related Function Selections 2	0000 hex to 1111 hex	-	0000 hex	All	Immediately	Setup	page 8-84	
	n.□□□X	Notch Filter Selection 3								
		0	Disable third stage notch filter.							
		1	Enable third stage notch filter.							
	n.□□X□	Notch Filter Selection 4								
		0	Disable fourth stage notch filter.							
		1	Enable fourth stage notch filter.							
	n.□X□□	Notch Filter Selection 5								
		0	Disable fifth stage notch filter.							
		1	Enable fifth stage notch filter.							
n.X□□□	Reserved parameter (Do not change.)									
Pn417	2	Third Stage Notch Filter Frequency	50 to 5,000	1 Hz	5000	All	Immediately	Tuning	page 8-84	

Continued on next page.

15.1 List of Parameters

15.1.2 List of Parameters

Continued from previous page.

Parameter No.	Size	Name	Setting Range	Setting Unit	Default Setting	Applicable Motors	When Enabled	Classification	Reference	
Pn418	2	Third Stage Notch Filter Q Value	50 to 1,000	0.01	70	All	Immediately	Tuning	page 8-84	
Pn419	2	Third Stage Notch Filter Depth	0 to 1,000	0.001	0	All	Immediately	Tuning	page 8-84	
Pn41A	2	Fourth Stage Notch Filter Frequency	50 to 5,000	1 Hz	5000	All	Immediately	Tuning	page 8-84	
Pn41B	2	Fourth Stage Notch Filter Q Value	50 to 1,000	0.01	70	All	Immediately	Tuning	page 8-84	
Pn41C	2	Fourth Stage Notch Filter Depth	0 to 1,000	0.001	0	All	Immediately	Tuning	page 8-84	
Pn41D	2	Fifth Stage Notch Filter Frequency	50 to 5,000	1 Hz	5000	All	Immediately	Tuning	page 8-84	
Pn41E	2	Fifth Stage Notch Filter Q Value	50 to 1,000	0.01	70	All	Immediately	Tuning	page 8-84	
Pn41F	2	Fifth Stage Notch Filter Depth	0 to 1,000	0.001	0	All	Immediately	Tuning	page 8-83	
Pn423	2	Speed Ripple Compensation Selections	0000 hex to 1111 hex	-	0000 hex	Rotary	-	Setup	page 8-60	
	n.□□□X		Speed Ripple Compensation Function Selection					When Enabled		
			0	Disable speed ripple compensation.					Immediately	
			1	Enable speed ripple compensation.						
	n.□□□□		Speed Ripple Compensation Information Disagreement Warning Detection Selection					When Enabled		
			0	Detect A.942 alarms.					After restart	
		1	Do not detect A.942 alarms.							
n.□X□□		Speed Ripple Compensation Enable Condition Selection					When Enabled			
		0	Speed reference					After restart		
		1	Motor speed							
n.X□□□		Reserved parameter (Do not change.)								
Pn424	2	Torque Limit at Main Circuit Voltage Drop	0 to 100	1%*1	50	All	Immediately	Setup	page 6-6	
Pn425	2	Release Time for Torque Limit at Main Circuit Voltage Drop	0 to 1,000	1 ms	100	All	Immediately	Setup	page 6-6	
Pn426	2	Reserved parameter (Do not change.)	-	-	0	All	-	-	-	
Pn427	2	Speed Ripple Compensation Enable Speed	0 to 10,000	1 min ⁻¹	0	Rotary Servomotor	Immediately	Tuning	page 8-60	
Pn456	2	Sweep Torque Reference Amplitude	1 to 800	1%	15	All	Immediately	Tuning	page 8-95	

Continued on next page.

Continued from previous page.

Parameter No.	Size	Name	Setting Range	Setting Unit	Default Setting	Applicable Motors	When Enabled	Classification	Reference	
Pn460	2	Notch Filter Adjustment Selections 1	0000 hex to 0101 hex	-	0101 hex	All	Immediately	Tuning	page 8-11, page 8-23	
	n.□□□X		Notch Filter Adjustment Selection 1							
		0	Do not adjust the first stage notch filter automatically during execution of autotuning without a host reference, autotuning with a host reference, and custom tuning.							
		1	Adjust the first stage notch filter automatically during execution of autotuning without a host reference, autotuning with a host reference, and custom tuning.							
	n.□□X□		Reserved parameter (Do not change.)							
	n.□X□□		Notch Filter Adjustment Selection 2							
		0	Do not adjust the second stage notch filter automatically during execution of autotuning without a host reference, autotuning with a host reference, and custom tuning.							
		1	Adjust the second stage notch filter automatically during execution of autotuning without a host reference, autotuning with a host reference, and custom tuning.							
	n.X□□□		Reserved parameter (Do not change.)							
	Pn475	2	Gravity Compensation-Related Selections	0000 hex to 0001 hex	-	0000 hex	All	After restart	Setup	page 8-71
n.□□□X		Gravity Compensation Selection								
		0	Disable gravity compensation.							
		1	Enable gravity compensation.							
n.□□X□		Reserved parameter (Do not change.)								
n.□X□□		Reserved parameter (Do not change.)								
n.X□□□		Reserved parameter (Do not change.)								
Pn476	2	Gravity Compensation Torque	-1,000 to 1,000	0.1%	0	All	Immediately	Tuning	page 8-71	
Pn480	2	Reserved parameter (Do not change.)	-	-	10000	Linear	-	-	-	
Pn481	2	Polarity Detection Speed Loop Gain	10 to 20,000	0.1 Hz	400	Linear	Immediately	Tuning	-	
Pn482	2	Polarity Detection Speed Loop Integral Time Constant	15 to 51,200	0.01 ms	3000	Linear	Immediately	Tuning	-	
Pn483	2	Forward Force Limit	0 to 800	1%*1	30	Linear	Immediately	Setup	page 6-17	
Pn484	2	Reverse Force Limit	0 to 800	1%*1	30	Linear	Immediately	Setup	page 6-17	
Pn485	2	Polarity Detection Reference Speed	0 to 100	1 mm/s	20	Linear	Immediately	Tuning	-	
Pn486	2	Polarity Detection Reference Acceleration/Deceleration Time	0 to 100	1 ms	25	Linear	Immediately	Tuning	-	
Pn487	2	Polarity Detection Constant Speed Time	0 to 300	1 ms	0	Linear	Immediately	Tuning	-	
Pn488	2	Polarity Detection Reference Waiting Time	50 to 500	1 ms	100	Linear	Immediately	Tuning	-	
Pn48E	2	Polarity Detection Range	1 to 65,535	1 mm	10	Linear	Immediately	Tuning	-	
Pn490	2	Polarity Detection Load Level	0 to 20,000	1%	100	Linear	Immediately	Tuning	-	

Continued on next page.

15.1 List of Parameters

15.1.2 List of Parameters

Continued from previous page.

Parameter No.	Size	Name	Setting Range	Setting Unit	Default Setting	Applicable Motors	When Enabled	Classification	Reference
Pn495	2	Polarity Detection Confirmation Force Reference	0 to 200	1%	100	Linear	Immediately	Tuning	-
Pn498	2	Polarity Detection Allowable Error Range	0 to 30	1 deg	10	Linear	Immediately	Tuning	-
Pn49F	2	Speed Ripple Compensation Enable Speed	0 to 10,000	1 mm/s	0	Linear	Immediately	Tuning	page 8-60
Pn502	2	Rotation Detection Level	1 to 10,000	1 min ⁻¹	20	Rotary	Immediately	Setup	page 1-8
Pn503	2	Reserved parameter (Do not change.)	-	-	10	Rotary	-	-	-
Pn506	2	Brake Reference-Servo OFF Delay Time	0 to 50	10 ms	0	All	Immediately	Setup	page 5-30
Pn507	2	Brake Reference Output Speed Level	0 to 10,000	1 min ⁻¹	100	Rotary	Immediately	Setup	page 5-30
Pn508	2	Servo OFF-Brake Command Waiting Time	10 to 100	10 ms	50	All	Immediately	Setup	page 5-30
Pn509	2	Momentary Power Interruption Hold Time	20 to 50,000	1 ms	20	All	Immediately	Setup	page 6-5
Pn50A	2	Reserved parameter (Do not change.)	-	-	1881 hex	All	-	-	-
Pn50B	2	Reserved parameter (Do not change.)	-	-	8882 hex	All	-	-	-
Pn50E	2	Reserved parameter (Do not change.)	-	-	0000 hex	All	-	-	-
Pn50F	2	Reserved parameter (Do not change.)	-	-	0100 hex	All	-	-	-
Pn510	2	Reserved parameter (Do not change.)	-	-	0000 hex	All	-	-	-
Pn511	2	Reserved parameter (Do not change.)	-	-	6543 hex	All	-	-	-
Pn512	2	Reserved parameter (Do not change.)	-	-	0000 hex	All	-	-	-
Pn514	2	Reserved parameter (Do not change.)	-	-	0000 hex	All	-	-	-
Pn516	2	Reserved parameter (Do not change.)	-	-	8888 hex	All	-	-	-
Pn517	2	Reserved parameter (Do not change.)	-	-	0000 hex	All	-	-	-
Pn518	-	Safety Module-Related Parameters	-	-	-	All	-	-	-
Pn51B	4	Motor-Load Position Deviation Overflow Detection Level	0 to 1,073,741,824	1 reference unit	1000	Rotary	Immediately	Setup	page 10-8
Pn51E	2	Position Deviation Overflow Warning Level	10 to 100	1%	100	All	Immediately	Setup	page 14-49
Pn520	4	Position Deviation Overflow Alarm Level	1 to 1,073,741,823	1 reference unit	5242880	All	Immediately	Setup	page 8-7, page 14-5
Pn522	4	Positioning Completed Width	0 to 1,073,741,824	1 reference unit	7	All	Immediately	Setup	page 8-66
Pn524	4	Near Signal Width	1 to 1,073,741,824	1 reference unit	1073741824	All	Immediately	Setup	page 8-66
Pn526	4	Position Deviation Overflow Alarm Level at Servo ON	1 to 1,073,741,823	1 reference unit	5242880	All	Immediately	Setup	page 8-7
Pn528	2	Position Deviation Overflow Warning Level at Servo ON	10 to 100	1%	100	All	Immediately	Setup	page 8-7
Pn529	2	Speed Limit Level at Servo ON	0 to 10,000	1 min ⁻¹	10000	Rotary	Immediately	Setup	page 8-7
Pn52A	2	Multiplier per Fully-closed Rotation	0 to 100	1%	20	Rotary	Immediately	Tuning	page 10-8

Continued on next page.

Continued from previous page.

Parameter No.	Size	Name	Setting Range	Setting Unit	Default Setting	Applicable Motors	When Enabled	Classification	Reference	
Pn52B	2	Overload Warning Level	1 to 100	1%	20	All	Immediately	Setup	page 5-38	
Pn52C	2	Base Current Derating at Motor Overload Detection	10 to 100	1%	100	All	After restart	Setup	page 5-38	
Pn530	2	Program Jogging-Related Selections	0000 hex to 0005 hex	–	0000 hex	All	Immediately	Setup	page 7-12	
			Program Jogging Operation Pattern							
		n.0000	0	(Waiting time in Pn535 → Forward by travel distance in Pn531) × Number of movements in Pn536						
		n.0001	1	(Waiting time in Pn535 → Reverse by travel distance in Pn531) × Number of movements in Pn536						
		n.0002	2	(Waiting time in Pn535 → Forward by travel distance in Pn531) × Number of movements in Pn536 (Waiting time in Pn535 → Reverse by travel distance in Pn531) × Number of movements in Pn536						
		n.0003	3	(Waiting time in Pn535 → Reverse by travel distance in Pn531) × Number of movements in Pn536 (Waiting time in Pn535 → Forward by travel distance in Pn531) × Number of movements in Pn536						
		n.0004	4	(Waiting time in Pn535 → Forward by travel distance in Pn531 → Waiting time in Pn535 → Reverse by travel distance in Pn531) × Number of movements in Pn536						
		n.0005	5	(Waiting time in Pn535 → Reverse by travel distance in Pn531 → Waiting time in Pn535 → Forward by travel distance in Pn531) × Number of movements in Pn536						
		n.000X		Reserved parameter (Do not change.)						
		n.0X00		Reserved parameter (Do not change.)						
	n.X000		Reserved parameter (Do not change.)							
Pn531	4	Program Jogging Travel Distance	1 to 1,073,741,824	1 reference unit	32768	All	Immediately	Setup	page 7-12	
Pn533	2	Program Jogging Movement Speed	1 to 10,000	Rotary: 1 min ⁻¹ Direct Drive: 0.1 min ⁻¹	500	Rotary	Immediately	Setup	page 7-12	
Pn534	2	Program Jogging Acceleration/Deceleration Time	2 to 10,000	1 ms	100	All	Immediately	Setup	page 7-12	
Pn535	2	Program Jogging Waiting Time	0 to 10,000	1 ms	100	All	Immediately	Setup	page 7-12	
Pn536	2	Program Jogging Number of Movements	0 to 1,000	Times	1	All	Immediately	Setup	page 7-12	
Pn550	2	Analog Monitor 1 Offset Voltage	-10,000 to 10,000	0.1 V	0	All	Immediately	Setup	page 9-7	
Pn551	2	Analog Monitor 2 Offset Voltage	-10,000 to 10,000	0.1 V	0	All	Immediately	Setup	page 9-7	
Pn552	2	Analog Monitor 1 Magnification	-10,000 to 10,000	× 0.01	100	All	Immediately	Setup	page 9-7	
Pn553	2	Analog Monitor 2 Magnification	-10,000 to 10,000	× 0.01	100	All	Immediately	Setup	page 9-7	
Pn55A	2	Power Consumption Monitor Unit Time	1 to 1,440	1 min	1	All	Immediately	Setup	–	
Pn560	2	Residual Vibration Detection Width	1 to 3,000	0.1%	400	All	Immediately	Setup	page 8-56	

Continued on next page.

15.1 List of Parameters

15.1.2 List of Parameters

Continued from previous page.

Parameter No.	Size	Name	Setting Range	Setting Unit	Default Setting	Applicable Motors	When Enabled	Classification	Reference	
Pn561	2	Overshoot Detection Level	0 to 100	1%	100	All	Immediately	Setup	page 8-23, page 8-34	
Pn581	2	Zero Speed Level	1 to 10,000	1 mm/s	20	Linear	Immediately	Setup	page 1-8	
Pn582	2	Reserved parameter (Do not change.)	-	-	10	Linear	-	-	-	
Pn583	2	Brake Reference Output Speed Level	0 to 10,000	1 mm/s	10	Linear	Immediately	Setup	page 5-30	
Pn584	2	Speed Limit Level at Servo ON	0 to 10,000	1 mm/s	10000	Linear	Immediately	Setup	page 8-7	
Pn585	2	Program Jogging Movement Speed	1 to 10,000	1 mm/s	50	Linear	Immediately	Setup	page 7-12	
Pn586	2	Motor Running Cooling Ratio	0 to 100	1%/Max. speed	0	Linear	Immediately	Setup	-	
Pn587	2	Reserved parameter (Do not change.)	-	-	0000 hex	Linear	-	-	-	
Pn600	2	Regenerative Resistor Capacity*2	Depends on model.*3	10 W	0	All	Immediately	Setup	page 5-51	
Pn601	2	Dynamic Brake Resistor Allowable Energy Consumption	0 to 65,535	10 J	0	All	After restart	Setup	*4	
Pn603	2	Regenerative Resistance	0 to 65,535	10 mΩ	0	All	Immediately	Setup	page 5-51	
Pn604	2	Dynamic Brake Resistance	0 to 65,535	10 mΩ	0	All	After restart	Setup	*4	
Pn61A	2	Overheat Protection Selections	0000 hex to 0003 hex	-	0000 hex	Linear	After restart	Setup	page 6-35	
		n.□□□X Overheat Protection Selection								
		0	Disable overheat protection.							
		1	Use overheat protection in the Yaskawa Linear Servomotor.*5							
		2	Monitor a negative voltage input from a sensor attached to the machine and use overheat protection.							
		3	Monitor a positive voltage input from a sensor attached to the machine and use overheat protection.							
n.□□X□		Reserved parameter (Do not change.)								
n.□X□□		Reserved parameter (Do not change.)								
n.X□□□		Reserved parameter (Do not change.)								
Pn61B*6	2	Overheat Alarm Level	0 to 500	0.01 V	250	All	Immediately	Setup	page 6-36	
Pn61C*6	2	Overheat Warning Level	0 to 100	1%	100	All	Immediately	Setup	page 6-36	
Pn61D*6	2	Overheat Alarm Filter Time	0 to 65,535	1 s	0	All	Immediately	Setup	page 6-36	
Pn621 to Pn628	-	Reserved parameters (Do not change.)	-	-	-	All	-	-	-	
PnB01	2	Origin Return Direction	0000 hex and 0001 hex	-	0001 hex	All	Immediately	Setup	page 12-3	
		0000 hex		Forward						
		0001 hex		Reverse						

Continued on next page.

Continued from previous page.

Parameter No.	Size	Name	Setting Range	Setting Unit	Default Setting	Applicable Motors	When Enabled	Classification	Reference		
PnB03	4	Origin Approach Speed	1 to 115,343,500	1 reference unit/s	20000	All	Immediately	Setup	page 12-3		
PnB04	4	Origin Return Creep Speed	1 to 115,343,500	1 reference unit/s	10000	All	Immediately	Setup			
PnB05	4	Final Travel Distance for Origin Return	0 to 2,147,483,647	1 reference unit	0	All	Immediately	Setup			
PnB09	4	Origin Offset	-2,147,483,647 to 2,147,483,647	1 reference unit	0	All	Immediately	Setup			
PnB12	2	Coordinate Type Selection	0000 hex and 0001 hex	-	0000 hex	All	Immediately	Setup	page 12-2		
			0000 hex	Linear	0001 hex	Rotary					
PnB13	4	Reference Units per Machine Revolution	1 to 1,500,000	1 reference unit	360000	All	After restart	Setup	page 12-2		
PnB16	4	Forward Software Limit	-2,147,483,647 to 2,147,483,647	1 reference unit	2147483647	All	Immediately	Setup	page 6-16		
PnB17	4	Reverse Software Limit	-2147483647 to 2147483647	1 reference unit	-2147483647	All	Immediately	Setup			
PnB18	2	Software Limit Action Selection	0000 hex to 0007 hex	-	0000 hex	All	Immediately	Setup			
			Bit 0	Software Limits (0 = Disabled, 1 = Enabled)							
			Bit 1	Reserved.							
			Bit 2	Software Limit Action (0 = Decelerate to a stop, 1 = Hard stop)							
			Bits 3 to 15	Reserved.							
PnB1A	2	Hardware Limit Action Selection	0000 hex to 0002 hex	-	0000 hex	All	Immediately	Setup	page 5-29		
			0000 hex	Servo OFF							
			0001 hex	Hard stop							
			0002 hex	Smooth stop							
PnB1C	2	External Stop Action Selection	0000 hex	-	0000 hex	All	Immediately	Setup	-		
PnB21	4	Feed Speed	1 to 115,343,500	1 reference unit/s	400000	All	Immediately	Setup	page 12-6		
PnB26	2	Acceleration/Deceleration Type	0000 hex to 0003 hex	-	0003 hex	All	Immediately	Setup			
			0000 hex	No acceleration/deceleration							
			0001 hex	Symmetrical linear acceleration/deceleration							
			0003 hex	Asymmetrical linear acceleration/deceleration							

Continued on next page.

15.1 List of Parameters

15.1.2 List of Parameters

Continued from previous page.

Parameter No.	Size	Name	Setting Range	Setting Unit	Default Setting	Applicable Motors	When Enabled	Classification	Reference		
PnB29	2	Filter Selection	0000 hex to 0003 hex	-	0000 hex	All	Immediately	Setup	page 12-6		
		0000 hex	No filter								
		0001 hex	Filter for exponential acceleration/deceleration								
		0002 hex	Filter for exponential acceleration/deceleration with bias								
		0003 hex	Average movement time filter								
PnB2A	4	Acceleration Rate	15,625 to 2,047,968,750	1 reference unit/s ²	400000 0	All	Immediately	Setup	page 12-6		
PnB2B	4	Deceleration Rate	15,625 to 2,047,968,750	1 reference unit/s ²	400000 0	All	Immediately	Setup			
PnB40	2	Time Constant for Exponential Acceleration/Deceleration	4 to 1,000	1 ms	4	All	Immediately	Setup			
PnB41	4	Exponential Acceleration/Deceleration Bias Speed	0 to 115,343,500	1 reference unit/s	0	All	Immediately	Setup			
PnB42	2	Average Movement Time Filter Time Constant	4 to 4,000	1 ms	25	All	Immediately	Setup			
PnB50	2	Positioning Completed Width	0 to 255	1 reference unit	5	All	Immediately	Setup	page 12-12		
PnB51	2	Positioning Completion Timeout Time	0 to 65,535	1 ms	0	All	Immediately	Setup			
PnB54	4	Positioning Approach Speed	1 to 115,343,500	1 reference unit/s	400000	All	Immediately	Setup	page 12-14		
PnB55	4	End Position	0 to 2,147,483,647	1 reference unit	0	All	Immediately	Setup			
PnB59	2	Approach Mode	0000 hex to 0002 hex	-	0000 hex	All	Immediately	Setup			
		0000 hex	Direct positioning								
		0001 hex	Positioning in specified rotation direction								
		0002 hex	Positioning by the near course								
PnBA3	2	Input Signal Logic Setting	0000 hex to 00A3 hex	-	0000 hex	All	Immediately	Setup	page 5-28, page 6-34, page 12-3		
		Bit 0	CCW-OT Signal (0 = Active when open, 1 = Active when closed)								
		Bit 1	CW-OT Signal (0 = Active when open, 1 = Active when closed)								
		Bits 2 to 4	Reserved.								
		Bit 5	EXSTOP Signal (0 = Active when open, 1 = Active when closed)								
		Bit 6	Reserved.								
		Bit 7	/HOME Signal (0 = Active when open, 1 = Active when closed)								
		Bits 8 to 15	Reserved.								

Continued on next page.

Continued from previous page.


Parameter No.	Size	Name	Setting Range	Setting Unit	Default Setting	Applicable Motors	When Enabled	Classification	Reference
PnBA4	2	Input Signal Setting	0000 hex to 00A3 hex	–	00A3 hex	All	Immediately	Setup	page 5-28, page 6-34, page 12-3
		Bit 0	CCW-OT Signal (0 = Disable, 1 = Enable)						
		Bit 1	CW-OT Signal (0 = Disable, 1 = Enable)						
		Bits 2 to 4	Reserved.						
		Bit 5	EXSTOP Signal (0 = Disable, 1 = Enable)						
		Bit 6	Reserved.						
		Bit 7	/HOME Signal (0 = Disable, 1 = Enable)						
		Bits 8 to 15	Reserved.						
PnBA5	2	Action Definition Setting	0000 hex to F800 hex	–	0040 hex	All	After restart	Setup	page 12-16
		Bits 0 to 10	Reserved.						
		Bit 11	Automatic Reset (0 = Do not execute, 1 = Execute)						
		Bit 12	Command Error Clearing Method (0 = Clear error when Valid Data in the command message is 0, 1 = Automatically reset error when the data in the command message is normal)						
		Bit 13	Main Circuit Power Supply Error Mask (0 = Detect main circuit power supply errors, 1 = Do not detect main circuit power supply errors)						
		Bit 14	Main Circuit/Control Power Alarm Clearing Method (0 = Use the alarm clear command, 1 = Automatically reset alarm when power is restored)						
		Bit 15	Positioning Command Method after Continuous Operation (0 = Use positioning command, 1 = Use switching command)						
PnBA7	2	Initialization Setting	0000 hex to 0003 hex	–	0000 hex	All	After restart	Setup	page 12-17
		Bit 0	Absolute Encoder Reset (0 = Execute, 1 = Do not execute)						
		Bit 1	Parameter Initialization (0 = Execute, 1 = Do not execute)						
		Bits 2 to 15	Reserved.						
PnBA9	4	Reserved parameter (Do not change.)	0 to 1,000,000	–	10000	–	–	Setup	–
PnBAA	4	Reserved parameter (Do not change.)	15,625 to 2,047,968,750	–	4000000	–	–	Setup	–
PnBAB	4	Reserved parameter (Do not change.)	15,625 to 2,047,968,750	–	4000000	–	–	Setup	–

*1. Set a percentage of the rated motor torque.

*2. Normally set this parameter to 0. If you use an External Regenerative Resistor, set the capacity (W) of the External Regenerative Resistor.

*3. The upper limit is the maximum output capacity (W) of the SERVOPACK.

*4. These parameters are for SERVOPACKs with the Dynamic Brake Hardware Option. Refer to the following manual for details.

 Σ -7-Series Σ -7S/ Σ -7W SERVOPACK with Dynamic Brake Hardware Option Specifications Product Manual (Manual No.: SIEP S800001 73)

*5. The SGLFW2 is the only Yaskawa Linear Servomotor that supports this function.

*6. Enabled only when Pn61A is set to n.□□□2 or n.□□□3.

15.2 Parameter Recording Table

Use the following table to record the settings of the parameters.

Parameter No.	Default Setting						Name	When Enabled
Pn000	0000 hex						Basic Function Selections 0	After restart
Pn001	0000 hex						Application Function Selections 1	After restart
Pn002	0000 hex						Application Function Selections 2	After restart
Pn006	0002 hex						Application Function Selections 6	Immediately
Pn007	0000 hex						Application Function Selections 7	Immediately
Pn008	4000 hex						Application Function Selections 8	After restart
Pn009	0010 hex						Application Function Selections 9	After restart
Pn00A	0001 hex						Application Function Selections A	After restart
Pn00B	0000 hex						Application Function Selections B	After restart
Pn00C	0000 hex						Application Function Selections C	After restart
Pn00D	0000 hex						Application Function Selections D	After restart
Pn00F	0000 hex						Application Function Selections F	After restart
Pn010	0001 hex						Axis Address Selection for UART/USB Communications	After restart
Pn021	0000						Reserved parameter	–
Pn022	0000 hex						Reserved parameter	–
Pn040	0000 hex						Σ -V Compatible Function Switch	After restart
Pn080	0000 hex						Application Function Selections 80	After restart
Pn081	0000 hex						Application Function Selections 81	After restart
Pn100	400						Speed Loop Gain	Immediately
Pn101	2000						Speed Loop Integral Time Constant	Immediately
Pn102	400						Position Loop Gain	Immediately
Pn103	100						Moment of Inertia Ratio	Immediately
Pn104	400						Second Speed Loop Gain	Immediately
Pn105	2000						Second Speed Loop Integral Time Constant	Immediately
Pn106	400						Second Position Loop Gain	Immediately
Pn109	0						Feedforward	Immediately
Pn10A	0						Feedforward Filter Time Constant	Immediately
Pn10B	0000 hex						Gain Application Selections	*
Pn10C	200						Mode Switching Level for Torque Reference	Immediately

Continued on next page.

Continued from previous page.

Parameter No.	Default Setting						Name	When Enabled
Pn10D	0						Mode Switching Level for Speed Reference	Immediately
Pn10E	0						Mode Switching Level for Acceleration	Immediately
Pn10F	0						Mode Switching Level for Position Deviation	Immediately
Pn11F	0						Position Integral Time Constant	Immediately
Pn121	100						Friction Compensation Gain	Immediately
Pn122	100						Second Friction Compensation Gain	Immediately
Pn123	0						Friction Compensation Coefficient	Immediately
Pn124	0						Friction Compensation Frequency Correction	Immediately
Pn125	100						Friction Compensation Gain Correction	Immediately
Pn131	0						Gain Switching Time 1	Immediately
Pn132	0						Gain Switching Time 2	Immediately
Pn135	0						Gain Switching Waiting Time 1	Immediately
Pn136	0						Gain Switching Waiting Time 2	Immediately
Pn139	0000 hex						Automatic Gain Switching Selections 1	Immediately
Pn13D	2000						Current Gain Level	Immediately
Pn140	0100 hex						Model Following Control-Related Selections	Immediately
Pn141	500						Model Following Control Gain	Immediately
Pn142	1000						Model Following Control Gain Correction	Immediately
Pn143	1000						Model Following Control Bias in the Forward Direction	Immediately
Pn144	1000						Model Following Control Bias in the Reverse Direction	Immediately
Pn145	500						Vibration Suppression 1 Frequency A	Immediately
Pn146	700						Vibration Suppression 1 Frequency B	Immediately
Pn147	1000						Model Following Control Speed Feedforward Compensation	Immediately
Pn148	500						Second Model Following Control Gain	Immediately
Pn149	1000						Second Model Following Gain Control Correction	Immediately
Pn14A	800						Vibration Suppression 2 Frequency	Immediately
Pn14B	100						Vibration Suppression 2 Correction	Immediately
Pn14F	0011 hex						Control-Related Selections	After restart

Continued on next page.

Continued from previous page.

Parameter No.	Default Setting						Name	When Enabled
Pn160	0010 hex						Anti-Resonance Control-Related Selections	Immediately
Pn161	1000						Anti-Resonance Frequency	Immediately
Pn162	100						Anti-Resonance Gain Correction	Immediately
Pn163	0						Anti-Resonance Damping Gain	Immediately
Pn164	0						Anti-Resonance Filter Time Constant 1 Correction	Immediately
Pn165	0						Anti-Resonance Filter Time Constant 2 Correction	Immediately
Pn166	0						Anti-Resonance Damping Gain 2	Immediately
Pn170	1401 hex						Tuning-less Function-Related Selections	*
Pn181	0						Mode Switching Level for Speed Reference	Immediately
Pn182	0						Mode Switching Level for Acceleration	Immediately
Pn205	65535						Multiturn Limit	After restart
Pn207	0010 hex						Position Control Function Selections	After restart
Pn20A	32768						Number of External Scale Pitches	After restart
Pn20E	64						Electronic Gear Ratio (Numerator)	After restart
Pn210	1						Electronic Gear Ratio (Denominator)	After restart
Pn212	2048						Number of Encoder Output Pulses	After restart
Pn216	0						Reserved parameter	-
Pn217	0						Reserved parameter	-
Pn22A	0000 hex						Fully-closed Control Selections	After restart
Pn230	0000 hex						Position Control Expansion Function Selection	After restart
Pn231	0						Backlash Compensation Value	Immediately
Pn233	0						Backlash Compensation Time Constant	Immediately
Pn281	20						Encoder Output Resolution	After restart
Pn282	0						Linear Encoder Pitch	After restart
Pn304	500						Jogging Speed	Immediately
Pn305	0						Soft Start Acceleration Time	Immediately
Pn306	0						Soft Start Deceleration Time	Immediately
Pn308	0						Speed Feedback Filter Time Constant	Immediately
Pn30A	0						Deceleration Time for Servo OFF and Forced Stops	Immediately
Pn30C	0						Reserved parameter	-
Pn310	0000 hex						Vibration Detection Selections	Immediately

Continued on next page.

Continued from previous page.

Parameter No.	Default Setting						Name	When Enabled
Pn311	100						Vibration Detection Sensitivity	Immediately
Pn312	50						Vibration Detection Level	Immediately
Pn316	10000						Maximum Motor Speed	After restart
Pn324	300						Moment of Inertia Calculation Starting Level	Immediately
Pn383	50						Jogging Speed	Immediately
Pn384	10						Vibration Detection Level	Immediately
Pn385	50						Maximum Motor Speed	After restart
Pn401	100						First Stage First Torque Reference Filter Time Constant	Immediately
Pn402	800						Forward Torque Limit	Immediately
Pn403	800						Reverse Torque Limit	Immediately
Pn404	100						Reserved parameter	–
Pn405	100						Reserved parameter	–
Pn406	800						Emergency Stop Torque	Immediately
Pn407	10000						Reserved parameter	–
Pn408	0000 hex						Torque-Related Function Selections	*
Pn409	5000						First Stage Notch Filter Frequency	Immediately
Pn40A	70						First Stage Notch Filter Q Value	Immediately
Pn40B	0						First Stage Notch Filter Depth	Immediately
Pn40C	5000						Second Stage Notch Filter Frequency	Immediately
Pn40D	70						Second Stage Notch Filter Q Value	Immediately
Pn40E	0						Second Stage Notch Filter Depth	Immediately
Pn40F	5000						Second Stage Second Torque Reference Filter Frequency	Immediately
Pn410	50						Second Stage Second Torque Reference Filter Q Value	Immediately
Pn412	100						First Stage Second Torque Reference Filter Time Constant	Immediately
Pn416	0000 hex						Torque-Related Function Selections 2	Immediately
Pn417	5000						Third Stage Notch Filter Frequency	Immediately
Pn418	70						Third Stage Notch Filter Q Value	Immediately
Pn419	0						Third Stage Notch Filter Depth	Immediately
Pn41A	5000						Fourth Stage Notch Filter Frequency	Immediately
Pn41B	70						Fourth Stage Notch Filter Q Value	Immediately
Pn41C	0						Fourth Stage Notch Filter Depth	Immediately

Continued on next page.

Continued from previous page.

Parameter No.	Default Setting						Name	When Enabled
Pn41D	5000						Fifth Stage Notch Filter Frequency	Immediately
Pn41E	70						Fifth Stage Notch Filter Q Value	Immediately
Pn41F	0						Fifth Stage Notch Filter Depth	Immediately
Pn423	0000 hex						Speed Ripple Compensation Selections	*
Pn424	50						Torque Limit at Main Circuit Voltage Drop	Immediately
Pn425	100						Release Time for Torque Limit at Main Circuit Voltage Drop	Immediately
Pn426	0						Reserved parameter	–
Pn427	0						Speed Ripple Compensation Enable Speed	Immediately
Pn456	15						Sweep Torque Reference Amplitude	Immediately
Pn460	0101 hex						Notch Filter Adjustment Selections 1	Immediately
Pn475	0000 hex						Gravity Compensation-Related Selections	After restart
Pn476	0						Gravity Compensation Torque	Immediately
Pn480	10000						Reserved parameter	–
Pn481	400						Polarity Detection Speed Loop Gain	Immediately
Pn482	3000						Polarity Detection Speed Loop Integral Time Constant	Immediately
Pn483	30						Forward Force Limit	Immediately
Pn484	30						Reverse Force Limit	Immediately
Pn485	20						Polarity Detection Reference Speed	Immediately
Pn486	25						Polarity Detection Reference Acceleration/Deceleration Time	Immediately
Pn487	0						Polarity Detection Constant Speed Time	Immediately
Pn488	100						Polarity Detection Reference Waiting Time	Immediately
Pn48E	10						Polarity Detection Range	Immediately
Pn490	100						Polarity Detection Load Level	Immediately
Pn495	100						Polarity Detection Confirmation Force Reference	Immediately
Pn498	10						Polarity Detection Allowable Error Range	Immediately
Pn49F	0						Speed Ripple Compensation Enable Speed	Immediately
Pn502	20						Rotation Detection Level	Immediately
Pn503	10						Reserved parameter	–
Pn506	0						Brake Reference-Servo OFF Delay Time	Immediately
Pn507	100						Brake Reference Output Speed Level	Immediately

Continued on next page.

Continued from previous page.

Parameter No.	Default Setting					Name	When Enabled
Pn508	50					Servo OFF-Brake Command Waiting Time	Immediately
Pn509	20					Momentary Power Interruption Hold Time	Immediately
Pn50A	1881 hex					Reserved parameter	–
Pn50B	8882 hex					Reserved parameter	–
Pn50E	0000 hex					Reserved parameter	–
Pn50F	0100 hex					Reserved parameter	–
Pn510	0000 hex					Reserved parameter	–
Pn511	6543 hex					Reserved parameter	–
Pn512	0000 hex					Reserved parameter	–
Pn514	0000 hex					Reserved parameter	–
Pn516	8888 hex					Reserved parameter	–
Pn517	0000 hex					Reserved parameter	–
Pn51B	1000					Motor-Load Position Deviation Overflow Detection Level	Immediately
Pn51E	100					Position Deviation Overflow Warning Level	Immediately
Pn520	5242880					Position Deviation Overflow Alarm Level	Immediately
Pn522	7					Positioning Completed Width	Immediately
Pn524	1073741824					Near Signal Width	Immediately
Pn526	5242880					Position Deviation Overflow Alarm Level at Servo ON	Immediately
Pn528	100					Position Deviation Overflow Warning Level at Servo ON	Immediately
Pn529	10000					Speed Limit Level at Servo ON	Immediately
Pn52A	20					Multiplier per Fully-closed Rotation	Immediately
Pn52B	20					Overload Warning Level	Immediately
Pn52C	100					Base Current Derating at Motor Overload Detection	After restart
Pn530	0000 hex					Program Jogging-Related Selections	Immediately
Pn531	32768					Program Jogging Travel Distance	Immediately
Pn533	500					Program Jogging Movement Speed	Immediately
Pn534	100					Program Jogging Acceleration/Deceleration Time	Immediately

Continued on next page.

Continued from previous page.


Parameter No.	Default Setting						Name	When Enabled
Pn535	100						Program Jogging Waiting Time	Immediately
Pn536	1						Program Jogging Number of Movements	Immediately
Pn550	0						Analog Monitor 1 Offset Voltage	Immediately
Pn551	0						Analog Monitor 2 Offset Voltage	Immediately
Pn552	100						Analog Monitor 1 Magnification	Immediately
Pn553	100						Analog Monitor 2 Magnification	Immediately
Pn55A	1						Power Consumption Monitor Unit Time	Immediately
Pn560	400						Residual Vibration Detection Width	Immediately
Pn561	100						Overshoot Detection Level	Immediately
Pn581	20						Zero Speed Level	Immediately
Pn582	10						Reserved parameter	–
Pn583	10						Brake Reference Output Speed Level	Immediately
Pn584	10000						Speed Limit Level at Servo ON	Immediately
Pn585	50						Program Jogging Movement Speed	Immediately
Pn586	0						Motor Running Cooling Ratio	Immediately
Pn587	0000 hex						Reserved parameter	–
Pn600	0						Regenerative Resistor Capacity	Immediately
Pn601	0						Dynamic Brake Resistor Allowable Energy Consumption	After restart
Pn603	0						Regenerative Resistance	Immediately
Pn604	0						Dynamic Brake Resistance	After restart
Pn61A	0000 hex						Overheat Protection Selections	After restart
Pn61B	250						Overheat Alarm Level	Immediately
Pn61C	100						Overheat Warning Level	Immediately
Pn61D	0						Overheat Alarm Filter Time	Immediately
Pn621 to Pn628	–						Reserved parameter	–
PnB01	0001 hex						Origin Return Direction	Immediately
PnB03	20000						Origin Approach Speed	Immediately
PnB04	10000						Origin Return Creep Speed	Immediately
PnB05	0						Final Travel Distance for Origin Return	Immediately
PnB09	0						Origin Offset	Immediately
PnB12	0000 hex						Coordinate Type Selection	Immediately
PnB13	360000						Reference Units per Machine Revolution	After restart

Continued on next page.

Continued from previous page.

Parameter No.	Default Setting						Name	When Enabled
PnB16	2147483 647						Forward Software Limit	Immediately
PnB17	-214748 3647						Reverse Software Limit	Immediately
PnB18	0000 hex						Software Limit Action Selection	Immediately
PnB1A	0000 hex						Hardware Limit Action Selection	Immediately
PnB1C	0000 hex						External Stop Action Selection	Immediately
PnB21	400000						Feed Speed	Immediately
PnB26	0003 hex						Acceleration/Deceleration Type	Immediately
PnB29	0000 hex						Filter Selection	Immediately
PnB2A	4000000						Acceleration Rate	Immediately
PnB2B	4000000						Deceleration Rate	Immediately
PnB40	4						Time Constant for Exponential Acceleration/Deceleration	Immediately
PnB41	0						Exponential Acceleration/Deceleration Bias Speed	Immediately
PnB42	25						Average Movement Time Filter Time Constant	Immediately
PnB50	5						Positioning Completed Width	Immediately
PnB51	0						Positioning Completion Timeout Time	Immediately
PnB54	400000						Positioning Approach Speed	Immediately
PnB55	0						End Position	Immediately
PnB59	0000 hex						Approach Mode	Immediately
PnBA3	0000 hex						Input Signal Logic Setting	Immediately
PnBA4	00A3 hex						Input Signal Setting	Immediately
PnBA5	0000 hex						Action Definition Setting	After restart
PnBA7	0000 hex						Initialization Setting	After restart
PnBA9	10000						Reserved parameter	–
PnBAA	4000000						Reserved parameter	–
PnBAB	4000000						Reserved parameter	–

* The enable timing depends on the digit that is changed. Refer to the following section for details.

 15.1 List of Parameters on page 15-2

Appendices

16

The appendix provides corresponding SERVOPACK and SigmaWin+ function names.

16.1 Corresponding SERVOPACK and SigmaWin+ Function Names . . 16-2

- 16.1.1 Corresponding SERVOPACK Utility Function Names 16-2
- 16.1.2 Corresponding SERVOPACK Monitor Display Function Names 16-3

16.2 DeviceNet Object Model 16-5

16.3 DeviceNet Attributes 16-7

- 16.3.1 Identity Object 16-7
- 16.3.2 Message Router Object 16-7
- 16.3.3 DeviceNet Object 16-8
- 16.3.4 Assembly Objects 16-9
- 16.3.5 Connection Objects 16-9
- 16.3.6 Position Controller Supervisor Object 16-11
- 16.3.7 Position Controller Object 16-12
- 16.3.8 Block Sequencer Object 16-14
- 16.3.9 Command Block Objects 16-15
- 16.3.10 Control Parameter Object 16-16
- 16.3.11 SERVOPACK Parameter Object 16-17

16.4 Relationship between Parameters and Attributes . . 16-23

16.5 Relation between Alarm Codes and Alarm Numbers . . . 16-28

16.1 Corresponding SERVOPACK and SigmaWin+ Function Names

This section gives the names and numbers of the utility functions and monitor display functions used by the SERVOPACKs and the names used by the SigmaWin+.

16.1.1 Corresponding SERVOPACK Utility Function Names

SigmaWin+		SERVOPACK	
Button in Menu Dialog Box	Function Name	Fn No.	Function Name
Setup	Origin Search	Fn003	Origin Search
	Reset Absolute Encoder	Fn008	Reset Absolute Encoder
	Adjust the Analog Monitor Output	Fn00C	Adjust Analog Monitor Output Offset
		Fn00D	Adjust Analog Monitor Output Gain
	Adjust the Motor Current Detection Signal Offsets	Fn00E	Autotune Motor Current Detection Signal Offset
		Fn00F	Manually Adjust Motor Current Detection Signal Offset
	Multiturn Limit Setting	Fn013	Multiturn Limit Setting after Multiturn Limit Disagreement Alarm
	Reset Option Module Configuration Error	Fn014	Reset Option Module Configuration Error
	Initialize Vibration Detection Level	Fn01B	Initialize Vibration Detection Level
	Set Absolute Linear Encoder Origin	Fn020	Set Absolute Linear Encoder Origin
	Reset Motor Type Alarm	Fn021	Reset Motor Type Alarm
	Software Reset	Fn030	Software Reset
	Polarity Detection	Fn080	Polarity Detection
	Tuning-less Level Setting	Fn200	Tuning-less Level Setting
Easy FFT	Fn206	Easy FFT	
Parameters	Initialize	Fn005	Initializing Parameters
	Write Prohibition Setting	Fn010	Write Prohibition Setting
	Setup Wizard	-	-
Tuning	Autotuning without Host Reference	Fn201	Advanced Autotuning without Reference
	Autotuning with Host Reference	Fn202	Advanced Autotuning with Reference
	Custom Tuning	Fn203	One-Parameter Tuning
	Adjust Anti-resonance Control	Fn204	Adjust Anti-resonance Control
	Vibration Suppression	Fn205	Vibration Suppression
	Moment of Inertia Estimation	-	-
Monitoring	Product Information	Fn011	Display Servomotor Model
		Fn012	Display Software Version
		Fn01E	Display SERVOPACK and Servomotor IDs
		Fn01F	Display Servomotor ID from Feedback Option Module
Test Operation	Jog	Fn002	Jog
	Jog Program	Fn004	Jog Program
Alarms	Alarm Display	Fn000	Display Alarm History
		Fn006	Clear Alarm History
	Reset Motor Type Alarm	Fn021	Reset Motor Type Alarm
Solutions	Mechanical Analysis	-	-

16.1.2 Corresponding SERVOPACK Monitor Display Function Names

SigmaWin+		SERVOPACK	
Button in Menu Dialog Box	Name [Unit]	Un No.	Name [Unit]
Motion Monitor	Motor Speed [min^{-1}]	Un000	Motor Speed [min^{-1}]
	Speed Reference [min^{-1}]	Un001	Speed Reference [min^{-1}]
	Torque Reference [%]	Un002	Torque Reference [%] (percentage of rated torque)
	<ul style="list-style-type: none"> Rotary Servomotors: Rotational Angle 1 [encoder pulses] (number of encoder pulses from origin within one encoder rotation) Linear Servomotors: Electrical Angle 1 [linear encoder pulses] (linear encoder pulses from the polarity origin) 	Un003	<ul style="list-style-type: none"> Rotary Servomotors: Rotational Angle 1 [encoder pulses] (number of encoder pulses from origin within one encoder rotation displayed in decimal) Linear Servomotors: Electrical Angle 1 [linear encoder pulses] (linear encoder pulses from the polarity origin displayed in decimal)
	<ul style="list-style-type: none"> Rotary Servomotors: Rotational Angle 2 [deg] (electrical angle from origin within one encoder rotation) Linear Servomotors: Electrical Angle 2 [deg] (electrical angle from polarity origin) 	Un004	<ul style="list-style-type: none"> Rotary Servomotors: Rotational Angle 2 [deg] (electrical angle from polarity origin) Linear Servomotors: Electrical Angle 2 [deg] (electrical angle from polarity origin)
	Input Reference Pulse Speed [min^{-1}]	Un007	Input Reference Pulse Speed [min^{-1}] (displayed only during position control)
	Position Deviation [reference units]	Un008	Position Error Amount [reference units] (displayed only during position control)
	Accumulated Load Ratio [%]	Un009	Accumulated Load Ratio [%] (percentage of rated torque: effective torque in cycles of 10 seconds)
	Regenerative Load Ratio [%]	Un00A	Regenerative Load Ratio [%] (percentage of processable regenerative power: regenerative power consumption in cycles of 10 seconds)
	Dynamic Brake Resistor Power Consumption [%]	Un00B	Power Consumed by DB Resistance [%] (percentage of processable power at DB activation: displayed in cycles of 10 seconds)
	Input Reference Pulse Counter [reference units]	Un00C	Input Reference Pulse Counter [reference units]
	Feedback Pulse Counter [encoder pulses]	Un00D	Feedback Pulse Counter [encoder pulses]
	Fully-closed Loop Feedback Pulse Counter [external encoder resolution]	Un00E	Fully-closed Loop Feedback Pulse Counter [external encoder resolution]
	Upper Limit Setting of Motor Maximum Speed/ Upper Limit Setting of Encoder Output Resolution	Un010*1	Upper Limit Setting of Motor Maximum Speed/ Upper Limit Setting of Encoder Output Resolution
	Total Operation Time [100 ms]	Un012	Total Operation Time [100 ms]
	Feedback Pulse Counter [reference units]	Un013	Feedback Pulse Counter [reference units]
	Overheat Protection Input [0.01 V]	Un02F	Overheat Protection Input [0.01 V]
	Current Backlash Compensation Value [0.1 reference units]	Un030	Current Backlash Compensation Value [0.1 reference units]
	Backlash Compensation Value Setting Limit [0.1 reference units]	Un031	Backlash Compensation Value Setting Limit [0.1 reference units]
	Power Consumption [W]	Un032	Power Consumption [W]
Consumed Power [0.001 Wh]	Un033	Consumed Power [0.001 Wh]	
Cumulative Power Consumption [Wh]	Un034	Cumulative Power Consumption [Wh]	
Absolute Encoder Multiturn Data	Un040	Absolute Encoder Multiturn Data	

Continued on next page.

16.1 Corresponding SERVOPACK and SigmaWin+ Function Names

16.1.2 Corresponding SERVOPACK Monitor Display Function Names

Continued from previous page.

SigmaWin+		SERVOPACK	
Button in Menu Dialog Box	Name [Unit]	Un No.	Name [Unit]
Motion Monitor	Position within One Rotation of Absolute Encoder [encoder pulses]	Un041	Position within One Rotation of Absolute Encoder [encoder pulses]
	Lower Bits of Absolute Encoder Position [encoder pulses]	Un042	Lower Bits of Absolute Encoder Position [encoder pulses]
	Upper Bits of Absolute Encoder Position [encoder pulses]	Un043	Upper Bits of Absolute Encoder Position [encoder pulses]
Status Monitor	Polarity Sensor Signal Monitor	Un011	Polarity Sensor Signal Monitor
	Active Gain Monitor	Un014	Effective Gain Monitor (gain settings 1 = 1, gain settings 2 = 2)
	Safety I/O Signal Monitor	Un015	Safety I/O Signal Monitor
Input Signal Monitor	Input Signal Monitor	Un005	Input Signal Monitor
Output Signal Monitor	Output Signal Monitor	Un006	Output Signal Monitor
Service Life Monitor	Installation Environment Monitor – SERVOPACK	Un025	SERVOPACK Installation Environment Monitor [%]
	Installation Environment Monitor – Servomotor*2	Un026*2	Servomotor Installation Environment Monitor [%]
	Service Life Prediction Monitor – Built-in Fan	Un027	Built-in Fan Remaining Life Ratio [%]
	Service Life Prediction Monitor – Capacitor	Un028	Capacitor Remaining Life Ratio [%]
	Service Life Prediction Monitor – Surge Prevention Circuit	Un029	Surge Prevention Circuit Remaining Life Ratio [%]
	Service Life Prediction Monitor – Dynamic Brake Circuit	Un02A	Dynamic Brake Circuit Remaining Life Ratio [%]
Product Information	Motor – Resolution	Un084	Linear Encoder Pitch (Scale pitch = $Un084 \times 10^{Un085}$ [µm])
		Un085	Linear Encoder Pitch Exponent (Scale pitch = $Un084 \times 10^{Un085}$ [µm])
–	–	Un020	Rated Motor Speed [min^{-1}]
	–	Un021	Maximum Motor Speed [min^{-1}]

*1. You can use Un010 to monitor the upper limit setting for the maximum motor speed or the upper limit setting for the encoder output resolution.

You can monitor the upper limit of the encoder output resolution setting (Pn281) for the current maximum motor speed setting (Pn385), or you can monitor the upper limit of the maximum motor speed setting for the current encoder output resolution setting.

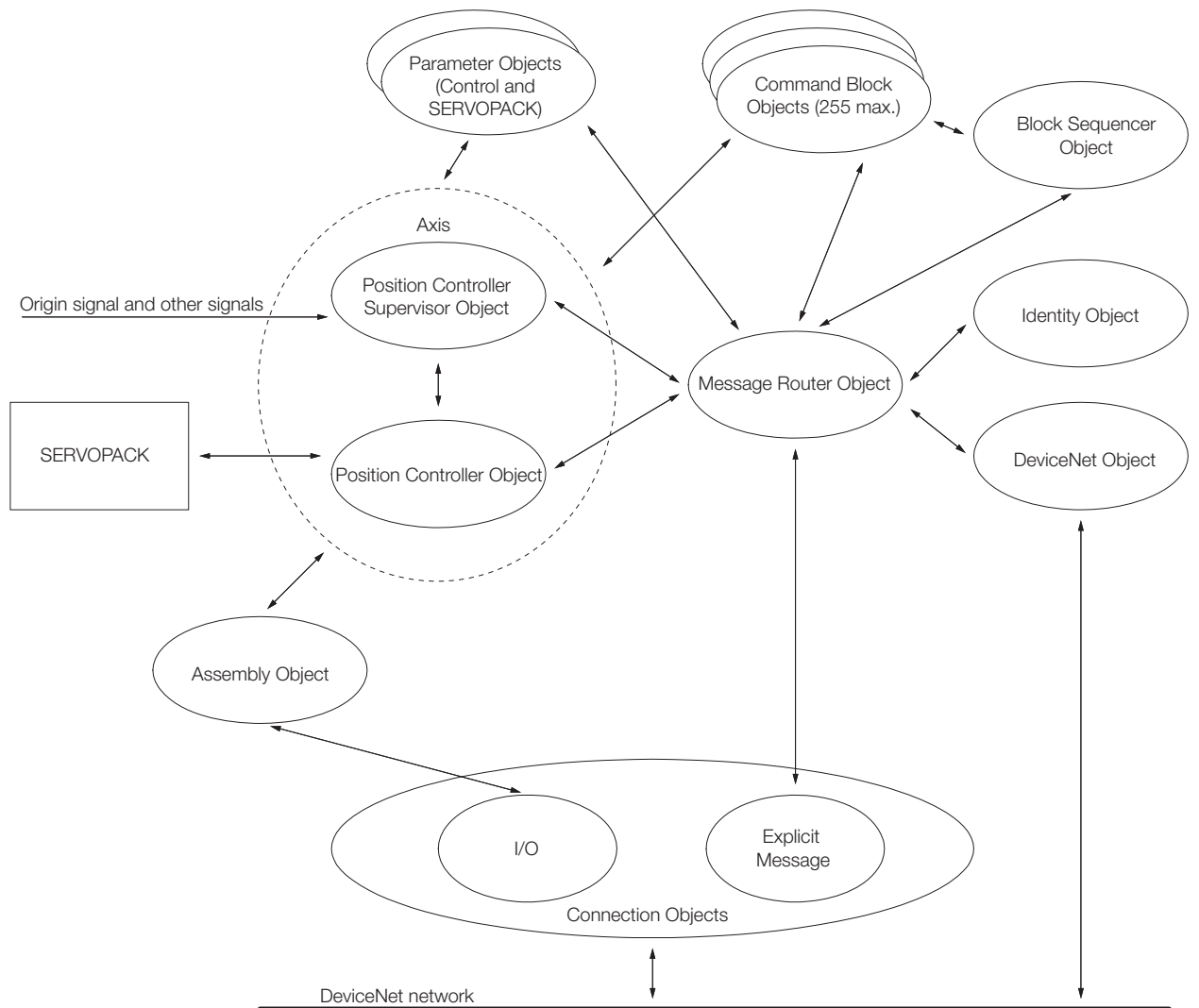
Select which signal to monitor with Pn080 = n.X□□□ (Calculation Method for Maximum Speed or Divided Output Pulses).

- If Pn080 = n.0□□□, the encoder output resolution (Pn281) that can be set is displayed.
- If Pn080 = n.1□□□, the maximum motor speed (Pn385) that can be set is displayed in mm/s.

*2. This applies to the following motors. The display will show 0 for all other models.

SGM7J, SGM7A, SGM7P, SGM7G, SGM7E, SGM7F, and SGM7C

16.2 DeviceNet Object Model



Object Class	Class ID	Instance	Function	Reference
Identity	0x01	1	Manages ID information, such as the device type, serial number, and vendor ID.	16.3.1
Message Router	0x02	1	Routes explicit messages to the appropriate object.	16.3.2
DeviceNet	0x03	1	Manages the physical connection to the DeviceNet. Also executes the Master/Slave Connection Set and Release requests.	16.3.3
Assembly	0x04	1	Manages I/O output messages from the slaves to the master.	16.3.4
		2	Manages I/O input messages from the master to the slaves.	
Connection	0x05	1	Manages attributes for explicit messages.	16.3.5
		2	Manages attributes for I/O message (polled I/O).	
Position Controller Supervisor	0x24	1	Manages origin returns, positioning, command assembly codes, response assembly codes, alarms, etc.	16.3.6
Position Controller	0x25	1	Manages motion profiles, the SERVOPACK interface, limits, etc.	16.3.7

Continued on next page.

Continued from previous page.

Object Class	Class ID	Instance	Function	Reference
Block Sequencer	0x26	1	Executes block commands and block sequences.	16.3.8
Command Block	0x27	1 to 255	Manages block commands.	16.3.9
Control Parameter	0x64	1	Manages position controller engine attributes.	16.3.10
Servopack Parameter	0x66	1	Manages attributes within the SERVOPACK.	16.3.11

16.3 DeviceNet Attributes

16.3.1 Identity Object

Class: 0x01

Attributes: Not supported.

Services: Not supported.

Instance 1

◆ Attributes

No.	Access	Name	Data Type	Description	Value
1	Get	Vendor ID	UINT	Gives the identification number of the vendor.	44
2	Get	Device Type	UINT	Gives the general type of the product.	0x10
3	Get	Product Code	USINT	Gives the identification number of the product.	0x270, 0x271*1
4	Get	Revision	–	Gives the revision of the item that the identity object represents.	1.x
5	Get	Status	WORD	Gives the overall status of the SERVOPACK.	–
6	Get	Serial Number	UDINT	Gives the serial number of the SERVOPACK.	Each SERVOPACK has its own number.
7	Get	Product Name	STRING	Gives a name to identify the product.	SGDV-OCA04A, SGDV-OCA05A*2

*1. SGDV-OCA04A: 0x270
SGDV-OCA05A: 0x271

*2. SGDV-OCA04A: SGDV-OCA04A
SGDV-OCA05A: SGDV-OCA05A

◆ Services

Service Code	Service	Description
0x05	Reset	Executes a software reset of the SERVOPACK.
0x0E	Get_Attribute_Single	Returns the data of the specified attribute.

16.3.2 Message Router Object

Class: 0x02

Attributes: Not supported.

Services: Not supported.

Instance 1

Attributes: Not supported.

Services: Not supported.

16.3.3 DeviceNet Object

Class: 0x03

Attributes: Not supported.

Services: Not supported.

Instance 1

◆ Attributes

No.	Access	Name	Data Type	Description	Value
1	Get	MAC ID	USINT	Gives the node address.	0 to 63
2	Get	Baud Rate	USINT	Gives the baud rate.	0 to 2
3	Get	BOI	BOOL	Indicates a bus-OFF interrupt.	0x00
4	Get	Bus-Off Counter	USINT	Gives the number of times the CAN went to the bus-OFF state	0 to 255
5	Get	Allocation Information	A structure that includes the following members.		
		Allocation Choice Byte	Byte	Gives the connection type of the master/slave connection.	0x00 to 0x03 Bit 0: Explicit message Bit 1: Polled I/O
		Master's MAC ID	USINT	Gives the node address of the master device.	0 to 63
6	Get	MAC ID Switch Changed	BOOL	Indicates a change in the node address (NA x10 and x1 rotary switches) after the power supply is turned ON.	0: No change 1: Change
7	Get	Baud Rate Switch Changed	BOOL	Indicates a change in the baud rate (rotary switch DR) after the power supply is turned ON.	0: No change 1: Change
8	Get	MAC ID Switch Value	USINT	Gives the actual value of the node address (NA x10 and x1 rotary switches).	0 to 63
9	Get	Baud Rate Switch Value	USINT	Gives the actual value of the baud rate (rotary switch DR).	0 to 2

◆ Services

Service Code	Service	Description
0x0E	Get_Attribute_Single	Returns the value of the specified attribute.
0x4B	Allocate_Master/Slave_Connection_Set	Requests the use of the master/slave connection.
0x4C	Release_Master/Slave_Connection_Set	Releases the master/slave connection.

16.3.4 Assembly Objects

Class: 0x04

Attributes: Not supported.

Services: Not supported.

Instances 1 and 2

◆ Attributes for Instance 1: Input

No.	Access	Name	Data Type	Description	Value
3	Get	Data	Array	Gives the input data to the SERVO-PACK.	–

◆ Attributes for Instance 2: Output

No.	Access	Name	Data Type	Description	Value
3	Get	Data	Array	Gives the output data from the SERVO-PACK.	–

◆ Services

Service Code	Service	Description
0x0E	Get_Attribute_Single	Returns the value of the specified attribute.

16.3.5 Connection Objects

Class: 0x05

Attributes: Not supported.

Services: Not supported.

Instances 1 and 2

◆ Attributes for Instance 1: Explicit Messages

No.	Access	Name	Data Type	Description	Value
1	Get	State	USINT	Gives the state of the object.	–
2	Get	Instance_Type	USINT	Gives the message connection.	0x00
3	Get	TransportClass_Trigger	Byte	Defines the behavior of the connection.	0x83
4	Get	Produced_Connection_ID	UINT	Placed in the CAN ID field when the connection sends a message.	–
5	Get	Consumed_Connection_ID	UINT	Gives the value of the CAN ID field that indicates the message to receive.	–
6	Get	Initial_Comm_Characteristics	USINT	Defines the message group where message transmission and reception processing for this connection occur.	0x21
7	Get	Produced_Connection_Size	UINT	Gives the maximum number of bytes sent through this connection.	0x00FF
8	Get	Consumed_Connection_Size	UINT	Gives the maximum number of bytes received through this connection.	0x00FF

Continued on next page.

Continued from previous page.

No.	Access	Name	Data Type	Description	Value
9	Get/Set	Expected_Packet_Rate	UINT	Defines the timing for this connection.	–
12	Get	Watchdog_Timeout_Action	USINT	Defines how to handle timeouts.	0x03
13	Get	Produced_Connection_Path_Length	UINT	Gives the number of bytes in the Produced Connection Path attribute.	0x0000
14	Get	Produced_Connection_Path	USINT Array	Specifies the application object where data will be sent by this connection object.	–
15	Get	Consumed_Connection_Path_Length	UINT	Gives the number of bytes in the Consumed Connection Path attribute.	0x0000
16	Get	Consumed_Connection_Path	USINT Array	Specifies the application object that will receive the data that was received by this connection object.	–

◆ Attributes for Instance 2: Polled I/O

No.	Access	Name	Data Type	Description	Value
1	Get	State	USINT	Gives the state of the object.	–
2	Get	Instance_Type	USINT	Gives the message connection.	0x01
3	Get	TransportClass_Trigger	Byte	Defines the behavior of the connection.	0x83
4	Get	Produced_Connection_ID	UINT	Placed in the CAN ID field when the connection sends a message.	–
5	Get	Consumed_Connection_ID	UINT	Gives the value of the CAN ID field that indicates the message to receive.	–
6	Get	Initial_Comm_Characteristics	USINT	Defines the message group where message transmission and reception processing for this connection occur.	0x01
7	Get	Produced_Connection_Size	UINT	Gives the maximum number of bytes sent through this connection.	0x0008
8	Get	Consumed_Connection_Size	UINT	Gives the maximum number of bytes received through this connection.	0x0008
9	Get/Set	Expected_Packet_Rate	UINT	Defines the timing for this connection.	–
12	Get	Watchdog_Timeout_Action	USINT	Defines how to handle timeouts.	0x01
13	Get	Produced_Connection_Path_Length	UINT	Gives the number of bytes in the Produced Connection Path attribute.	0x0006
14	Get	Produced_Connection_Path	USINT Array	Specifies the application object where data will be sent by this connection object.	20_04_24_0 1_30_03
15	Get	Consumed_Connection_Path_Length	UINT	Gives the number of bytes in the Consumed Connection Path attribute.	0x0006
16	Get	Consumed_Connection_Path	USINT Array	Specifies the application object that will receive the data that was received by this connection object.	20_04_24_0 2_30_03

◆ Services

Service Code	Service	Description
0x0E	Get_Attribute_Single	Returns the value of the specified attribute.
0x10	Set_Attribute_Single	Changes the value of the specified attribute.

16.3.6 Position Controller Supervisor Object

Class: 0x24

Attributes: Not supported.

Services: Not supported.

Instance 1

◆ Attributes

No.	Access	Name	Data Type	Description	Value
1	Get	Number of Attributes	USINT	Gives the number of attributes contained in this object.	–
2	Get	Attribute List	Array of USINT	Gives the arrangement of the attribute numbers that are contained in this object.	–
3	Get	Axis Instance	USINT	Gives the axis number.	Always 1.
5	Get	General Fault	BOOL	Gives the status of the SERVOPACK.	1: Alarm
6	Get/Set	Command Assembly Type	USINT	Specifies the command code.	–
7	Get/Set	Response Assembly Type	USINT	Specifies the response code.	–
10	Get/Set	Home Action	USINT	Specifies the origin return type.	–
11	Set	Home Active Level	BOOL	Specifies the polarity of origin signal input.	0: Normally closed. 1: Normally open.
12	Get/Set	Home Arm	BOOL	Specifies a origin return command.	1: Origin return
16	Get	Home Input Level	BOOL	Gives the origin signal input status.	0: Open 1: Closed
17	Get/Set	Home Position	DINT	Specifies the origin position offset.	–

◆ Services

Service Code	Service	Description
0x0E	Get_Attribute_Single	Returns the value of the specified attribute.
0x10	Set_Attribute_Single	Changes the value of the specified attribute.

16.3.7 Position Controller Object

Class: 0x25

Attributes: Not supported.

Services: Not supported.

Instance 1

◆ Attributes

No.	Access	Name	Data Type	Description	Value
1	Get	Number of Attributes	USINT	Gives the number of attributes contained in this object.	–
2	Get	Attribute List	Array of USINT	Gives the arrangement of the attribute numbers that are contained in this object.	–
3	Get/Set	Mode	USINT	Specifies the operating mode.	0: Positioning 1: Continuous operation
6	Get/Set	Target Position	DINT	Specifies the target position. Unit: Reference units	0x80000001 to 0x7FFFFFFF
7	Get/Set	Target Velocity	DINT	Specifies the target rate. Unit: Reference units/s	1 to 115,343,500
8	Get/Set	Acceleration	DINT	Specifies the acceleration rate. Unit: Reference units/s ²	15,625 to 2,047,968,750
9	Get/Set	Deceleration	DINT	Specifies the deceleration rate. Unit: Reference units/s ²	15,625 to 2,047,968,750
10	Get/Set	Incremental Position	BOOL	Specifies either absolute or incremental positioning.	0: Absolute 1: Incremental
11	Get/Set	Trajectory Start/Complete	BOOL	Starts operation.	1: Start operation. 0: Operation completed.
12	Get	On Target Position	BOOL	Indicates whether the current position is within the positioning completed width.	1: Within positioning completed width.
13	Get/Set	Actual Position	DINT	Gives the current position. Unit: Reference units	0x80000001 to 0x7FFFFFFF
14	Get	Actual Velocity	DINT	Gives the current speed. Unit: Reference units/s	0 to 115,343,500
15	Get	Commanded Position	DINT	Gives the reference position. Unit: Reference units	0x80000001 to 0x7FFFFFFF
16	Get	Commanded Velocity	DINT	Gives the command speed. Unit: Reference units/s	0 to 115,343,500
17	Get/Set	Enable	BOOL	Specifies a Servo ON command.	0: Servo OFF 1: Servo ON
18	Get/Set	Profile Type	USINT	Specifies the acceleration/deceleration type.	–
19	Get/Set	Profile Gain	DINT	Specifies the time constant for S-curve acceleration/deceleration.	4 to 4,000
20	Get/Set	Smooth Stop	BOOL	Specifies the command to decelerate to a stop.	1: Smooth Stop command
21	Get/Set	Hard Stop	BOOL	Specifies the Hard Stop command.	1: Hard Stop command
22	Get/Set	Jog Velocity	DINT	Specifies the speed for continuous operation. Unit: Reference units/s	1 to 115,343,500

Continued on next page.

Continued from previous page.

No.	Access	Name	Data Type	Description	Value
23	Get/Set	Direction	BOOL	Specifies the direction.	0: Reverse 1: Forward
24	Get/Set	Reference Direction	BOOL	Specifies the forward direction when the shaft is viewed from the back of the motor.	0: CW is forward. 1: CCW is forward.
25	Get/Set	Torque	DINT	Specifies the Torque command for torque control. Also, returns the monitor value of the current torque.	0 to 800
26	Get/Set	Positive Torque Limit	DINT	Specifies the forward torque limit. Unit: 1%	0 to 800
27	Get/Set	Negative Torque Limit	DINT	Specifies the reverse torque limit. Unit: 1%	-800 to 0
30	Get/Set	Kp	UINT	Specifies the proportional gain for the position loop. Unit: 0.1/s	10 to 20,000
31	Get/Set	Ki	UINT	Specifies the integral time constant of the position loop. Unit: 0.1 ms	0 to 50,000
38	Get/Set	Position Deadband	USINT	Specifies the positioning completed width. Unit: Reference units.	0 to 255
45	Get/Set	Max Dynamic Following Error	DINT	Specifies the maximum allowable following deviation. Unit: Reference units	1 to 1,073,741,823
48	Get	Actual Following Error	DINT	Gives the current position deviation. Unit: Reference units	1 to 1,073,741,824
49	Get/Set	Hard Limit Action	USINT	Specifies the response to overtravel.	0: Servo OFF 1: Smooth stop 2: Hard stop
50	Get	CW Hard Limit	BOOL	Gives the status of the CW overtravel signal.	0: Disabled 1: Enabled
51	Get	CCW Hard Limit	BOOL	Gives the status of the CCW overtravel signal.	0: Disabled 1: Enabled
52	Get/Set	Soft Limit Enable	BOOL	Enables the software limit.	0: Disabled 1: Enabled
53	Get/Set	Soft Limit Action	USINT	Specifies the response to a software limit.	1: Hard stop 2: Smooth stop
54	Get/Set	Positive Software Limit Position	DINT	Specifies the forward software limit position. Unit: Reference units	0x80000001 to 0x7FFFFFFF
55	Get/Set	Negative Software Limit Position	DINT	Specifies the reverse software limit position. Unit: Reference units	0x80000001 to 0x7FFFFFFF
56	Get	Positive Limit State	BOOL	Gives the status of the forward software limit.	0: Within limit 1: Outside limit
57	Get	Negative Limit State	BOOL	Gives the status of the reverse software limit.	0: Within limit 1: Outside limit
200	Get/Set	Approach Velocity for Positioning	DINT	Specifies the approach speed for positioning after switching to positioning. Unit: Reference units/s	1 to 115,343,500
201	Get/Set	End Position	DINT	Specifies the end position after switching to positioning. Unit: Reference units	0 to 0x7FFFFFFF
231	Get/Set	Hard Limit Enable	BOOL	Specifies the overtravel settings.	0: Disabled 1: Enabled

Continued on next page.

Continued from previous page.

No.	Access	Name	Data Type	Description	Value
232	Get/Set	Hard Limit Input Logic	BOOL	Specifies the polarity of the overtravel signal.	0: Normally closed. 1: Normally open.
241	Get/Set	External Stop Action	USINT	Specifies the external stop action.	0: Hard stop and servo OFF
242	Get/Set	External Stop Enable	BOOL	Specifies the external stop input signal.	0: Disabled 1: Enabled
243	Get/Set	External Stop Logic	BOOL	Specifies the polarity of the external stop input signal.	0: Normally closed. 1: Normally open.
244	Get	External Stop State	BOOL	Gives the status of the external stop input signal.	0: Disabled 1: Enabled
253	Get/Set	Home Direction	BOOL	Specifies the origin return direction.	0: Reverse 1: Forward
254	Get/Set	Home Fast Velocity	DINT	Specifies the origin approach speed. Unit: Reference units/s	1 to 115,343,500
255	Get/Set	Home Slow Velocity	DINT	Specifies the origin return creep speed. Unit: Reference units/s	1 to 115,343,500

◆ Services

Service Code	Service	Description
0x0E	Get_Attribute_Single	Returns the value of the specified attribute.
0x10	Set_Attribute_Single	Changes the value of the specified attribute.

16.3.8 Block Sequencer Object

Class: 0x26

Attributes: Not supported.

Services: Not supported.

Instance 1

◆ Attributes

No.	Access	Name	Data Type	Description	Value
1	Get/Set	Block	USINT	Specifies the block number of the start command.	1 to 255
2	Get/Set	Block Execute	BOOL	Specifies the command to start program execution.	1: Starts execution. 0: Execution completed.
3	Get	Current Block	USINT	Gives the number of the command block that is being executed.	1 to 255
4	Get	Block Fault	BOOL	Gives the program execution status.	1: Alarm
5	Get	Block Fault Code	USINT	Gives the alarm code for program execution.	0: Normal 1: Invalid block data 2: Timeout 3: Execution failure
6	Set	Counter	DINT	Specifies the sequence counter.	0 to 0x7FFFFFFF

◆ Services

Service Code	Service	Description
0x0E	Get_Attribute_Single	Returns the value of the specified attribute.
0x10	Set_Attribute_Single	Changes the value of the specified attribute.

16.3.9 Command Block Objects

Class: 0x27

Attributes: Not supported.

Services: Not supported.

Instances 1 to 255

◆ Attributes

No.	Access	Name	Data Type	Description	Value
1	Get/Set	Block Com- mand	USINT	Specifies the block command.	–
2	Get/Set	Block Link #	USINT	Specifies the number of the next com- mand block to execute. A value of 0 indicates the last block.	–
3	Get/Set	Depends on Command #	–	Depends on the block command.	–
4	Get/Set	Depends on Command #	–	Depends on the block command.	–
5	Get/Set	Depends on Command #	–	Depends on the block command.	–
6	Get/Set	Depends on Command #	–	Depends on the block command.	–
7	Get/Set	Depends on Command #	–	Depends on the block command.	–

◆ Services

Service Code	Service	Description
0x01	Get_Attribute_All	Returns all the data of the specified instance.
0x02	Set_Attribute_All	Changes all the data of the specified instance.
0x0E	Get_Attribute_Single	Returns the value of the specified attribute.
0x10	Set_Attribute_Single	Changes the value of the specified attribute.

16.3.10 Control Parameter Object

Class: 0x64

Attributes: Not supported.

Services: Not supported.

Instance 1

◆ Attributes

No.	Access	Name	Data Type	Description	Value
15	Get/Set	Final Travel Distance	DINT	Specifies the final travel distance for origin returns. Unit: Reference units	0 to 0x7FFFFFFF
32	Get/Set	Coordinate Type	BOOL	Specifies the coordinate type.	0: Linear 1: Rotary
33	Get/Set	Command Value per Machine Rotation	DINT	Specifies the number of reference units per machine revolution. Unit: Reference units	1 to 1,500,000
70	Get/Set	Time Constant for Exponential Curve	UINT	Specifies the time constant for exponential acceleration/deceleration. Unit: ms	4 to 1,000
71	Get/Set	Bias Velocity	DINT	Specifies the bias speed for exponential acceleration/deceleration. Unit: Reference units/s	0 to 115,343,500
91	Get/Set	Positioning Timeout	UINT	Specifies the positioning completion timeout time. Unit: ms	0 to 65,535
99	Get/Set	Switch Mode	UINT	Specifies the switching mode when changing to position control.	0 to 2
173	Get/Set	Input Signal Logic Setting	UINT	Specifies the polarity of the input signals.	–
174	Get/Set	Input Signal Setting	UINT	Enables the input signals.	–
253	Get/Set	Initializing Function	UINT	Initializes the absolute encoder and parameters.	–
255	Get/Set	Behavior Definition	UINT	Defines the action.	–

◆ Services

Service Code	Service	Description
0x0E	Get_Attribute_Single	Returns the value of the specified attribute.
0x10	Set_Attribute_Single	Changes the value of the specified attribute.

16.3.11 SERVOPACK Parameter Object

Class: 0x66

Attributes: Not supported.

Services: Not supported.

Instance 1

◆ Attributes

No.	Access	Name	Data Type	Description	Value
10	Get/Set	Basic Function Select Switch 0	UINT	Sets the Basic Function Selections 0.	0x0000 to 0x00B3
11	Get/Set	Application Function Select Switch 1	UINT	Sets the Application Function Selections 1.	0x0000 to 0x1122
12	Get/Set	Application Function Select Switch 2	UINT	Sets the Application Function Selections 2.	0x0000 to 0x4113
13	Get/Set	Application Function Select Switch 6	UINT	Sets the Application Function Selections 6.	0x0000 to 0x005F
14	Get/Set	Application Function Select Switch 7	UINT	Sets the Application Function Selections 7.	0x0000 to 0x005F
15	Get/Set	Application Function Select Switch 8	UINT	Sets the Application Function Selections 8.	0x0000 to 0x7121
16	Get/Set	Application Function Select Switch 9	UINT	Sets the Application Function Selections 9.	0x0000 to 0x0111
17	Get/Set	Application Function Select Switch B	UINT	Sets the Application Function Selections B.	0x0000 to 0x1111
18	Get/Set	Application Function Select Switch C	UINT	Sets the Application Function Selections C.	0x0000 to 0x0111
19	Get/Set	Application Function Select Switch D	UINT	Sets the Application Function Selections D.	0x0000 to 0x1001
21	Get/Set	Application Function Select Switch 80	UINT	Sets the Application Function Selections 80.	0x0000 to 0x1111
23	Get/Set	Speed Loop Gain	UINT	Sets the speed loop gain. Unit: 0.1 Hz	10 to 20,000
24	Get/Set	Speed Loop Integral Time Constant	UINT	Sets the speed loop integral time constant. Unit: 0.01 ms	15 to 51,200
25	Get/Set	Position Loop Gain	UINT	Sets the position loop gain. Unit: 0.1/s	10 to 20,000
26	Get/Set	Moment of Inertia Ratio	UINT	Sets the moment of inertia ratio. Unit: %	15 to 51,200
27	Get/Set	2nd Speed Loop Gain	UINT	Sets the second speed loop gain. Unit: 0.1 Hz	10 to 20,000
28	Get/Set	2nd Speed Loop Integral Time Constant	UINT	Sets the second speed loop integral time constant. Unit: 0.1 Hz	15 to 51,200

Continued on next page.

Continued from previous page.

No.	Access	Name	Data Type	Description	Value
29	Get/Set	2nd Position Loop Gain	UINT	Sets the second position loop gain. Unit: 0.1/s	10 to 20,000
30	Get/Set	Feedforward Gain	UINT	Sets the feedforward gain. Unit: %	0 to 100
31	Get/Set	Feedforward Filter Time Constant	UINT	Sets the feedforward filter time constant. Unit: 0.01 ms	0 to 6,400
32	Get/Set	Application Function for Gain Select Switch	UINT	Sets the gain application selections.	0x0000 to 0x5334
33	Get/Set	Mode Switch (torque reference)	UINT	Sets the mode switching level for torque references. Unit: %	0 to 800
34	Get/Set	Mode Switch (speed reference)	UINT	Sets the mode switching level for speed references. Unit: min ⁻¹	0 to 10,000
35	Get/Set	Mode Switch (acceleration)	UINT	Sets the mode switching level for acceleration. Unit: min ⁻¹ /s	0 to 30,000
36	Get/Set	Mode Switch (position error)	UINT	Sets the mode switching level for the position deviation. Unit: Reference units	0 to 10,000
37	Get/Set	Position Integral Time Constant	UINT	Sets the position integral time constant. Unit: 0.1 ms	0 to 50,000
38	Get/Set	Friction Compensation Gain	UINT	Sets the friction compensation gain. Unit: %	0 to 10,000
39	Get/Set	2nd Gain for Friction Compensation	UINT	Sets the second friction compensation gain. Unit: %	10 to 1,000
40	Get/Set	Friction Compensation Coefficient	UINT	Sets the friction compensation coefficient. Unit: %	0 to 100
41	Get/Set	Friction Compensation Frequency Correction	INT	Sets the friction compensation frequency correction. Unit: 0.1 Hz	-10,000 to 10,000
42	Get/Set	Friction Compensation Gain Correction	UINT	Sets the friction compensation gain correction. Unit: %	1 to 1,000
43	Get/Set	Gain Switching Time 1	UINT	Sets gain switching time 1. Unit: ms	0 to 65,535
44	Get/Set	Gain Switching Time 2	UINT	Sets gain switching time 2. Unit: ms	0 to 65,535
45	Get/Set	Gain Switching Waiting Time 1	UINT	Sets gain switching waiting time 1. Unit: ms	0 to 65,535
46	Get/Set	Gain Switching Waiting Time 2	UINT	Sets gain switching waiting time 2. Unit: ms	0 to 65,535
47	Get/Set	Automatic Gain Changeover Related Switch 1	UINT	Sets automatic gain switching selection 1.	0x0000 to 0x0052
48	Get/Set	Auto Gain Switching Switches	UINT	Sets the current gain level. Unit: %	100 to 2,000
49	Get/Set	Model Following Control Related Switch	UINT	Sets the model following control-related selections.	0x0000 to 0x1121

Continued on next page.

Continued from previous page.

No.	Access	Name	Data Type	Description	Value
50	Get/Set	Model Following Control Gain	UINT	Sets the model following control gain. Unit: 0.1/s	10 to 20,000
51	Get/Set	Model Following Control Gain Compensation	UINT	Sets the model following control gain correction. Unit: 0.1%	500 to 2,000
52	Get/Set	Model Following Control Bias (Forward Direction)	UINT	Sets the model following control bias in the forward direction. Unit: 0.1%	0 to 10,000
53	Get/Set	Model Following Control Bias (Reverse Direction)	UINT	Sets the model following control bias in the reverse direction. Unit: 0.1%	0 to 10,000
54	Get/Set	Vibration Suppression 1 Frequency A	UINT	Sets vibration suppression 1 frequency A. Unit: 0.1 Hz	10 to 2,500
55	Get/Set	Vibration Suppression 1 Frequency B	UINT	Sets vibration suppression 1 frequency B. Unit: 0.1 Hz	10 to 2,500
56	Get/Set	Model Following Control Speed Feedforward Compensation	UINT	Sets the model following control speed feedforward compensation. Unit: 0.1%	0 to 10,000
57	Get/Set	2nd Model Following Control Gain	UINT	Sets the second model following control gain. Unit: 0.1/s	10 to 20,000
58	Get/Set	2nd Model Following Control Gain Compensation	UINT	Sets the second model following gain control correction. Unit: 0.1%	500 to 2,000
59	Get/Set	Vibration Suppression 2 Frequency	UINT	Sets the vibration suppression 2 frequency. Unit: 0.1 Hz	10 to 2,000
60	Get/Set	Vibration Suppression 2 Compensation	UINT	Sets the vibration suppression 2 correction. Unit: %	10 to 1,000
62	Get/Set	Anti-Resonance Control Related Switch	UINT	Sets the anti-resonance control-related selections.	0x0000 to 0x0011
63	Get/Set	Anti-Resonance Frequency	UINT	Sets the anti-resonance frequency. Unit: 0.1 Hz	10 to 20,000
64	Get/Set	Anti-Resonance Gain Compensation	UINT	Sets the anti-resonance gain correction. Unit: %	1 to 1,000
65	Get/Set	Anti-Resonance Damping Gain	UINT	Sets the anti-resonance damping gain. Unit: %	0 to 300
66	Get/Set	Anti-Resonance Filter Time Constant 1 Compensation	INT	Sets the anti-resonance filter time constant 1 correction. Unit: 0.01 ms	-1,000 to 1,000
67	Get/Set	Anti-Resonance Filter Time Constant 2 Compensation	INT	Sets the anti-resonance filter time constant 2 correction. Unit: 0.01 ms	-1,000 to 1,000

Continued on next page.

Continued from previous page.

No.	Access	Name	Data Type	Description	Value
68	Get/Set	Tuning-less Function Related Switch	UINT	Sets the tuning-less function-related selections.	0x0000 to 0x2411
71	Get/Set	Multi-turn Limit Setting	UINT	Sets the multiturn limit setting. Unit: rev	0 to 65,535
73	Get/Set	Number of External Scale Pitch	UDINT	Sets the number of external encoder pitches.	4 to 1,048,576
74	Get/Set	Electronic Gear Ratio (Numerator)	UDINT	Sets the electronic gear ratio numerator.	1 to 1,073,741,824
75	Get/Set	Electronic Gear Ratio (Denominator)	UDINT	Sets the electronic gear ratio denominator.	1 to 1,073,741,824
76	Get/Set	Encoder Output Pulses	UDINT	Sets number of encoder output pulses 1. Unit: P/Rev	16 to Upper limit of encoder
79	Get/Set	Fully-closed Control Selection Switch	UINT	Sets the fully-closed control selections.	0x0000 to 0x1003
80	Get/Set	Position Control Expanded Function Switch	UINT	Sets the position control expansion function selections.	0 or 1
81	Get/Set	Backlash Compensation Value	DINT	Sets the backlash compensation. Unit: 0.1 reference units	-500,000 to 500,000
82	Get/Set	Backlash Compensation Time Constant	UINT	Sets the backlash compensation time constant. Unit: 0.01 ms	0 to 65,535
83	Get/Set	Encoder Output Resolution	UINT	Sets the encoder output resolution (edges/pitch).	1 to 4,096
88	Get/Set	JOG Speed	UINT	Sets the jogging speed. Unit: min ⁻¹	0 to 10,000
89	Get/Set	Soft Start Acceleration Time	UINT	Sets the soft start acceleration time. Unit: ms	0 to 10,000
90	Get/Set	Soft Start Deceleration Time	UINT	Sets the soft start deceleration time. Unit: ms	0 to 10,000
92	Get/Set	Vibration Detection Switch	UINT	Sets the vibration detection selections.	0x0000 to 0x0002
93	Get/Set	Vibration Detection Sensibility	UINT	Sets the vibration detection sensitivity. Unit: %	50 to 500
94	Get/Set	Vibration Detection Level	UINT	Sets the vibration detection level. Unit: min ⁻¹	0 to 5,000
95	Get/Set	Moment of Inertia Calculating Start Level	UINT	Sets the moment of inertia calculation start level. Unit: %	0 to 20,000
97	Get/Set	Torque Reference Filter Time Constant	UINT	Sets the first stage first torque reference filter time constant. Unit: 0.01 ms	0 to 65,535
98	Get/Set	Forward Torque Limit	UINT	Sets the forward torque limit. Unit: %	0 to 800
99	Get/Set	Reverse Torque Limit	UINT	Sets the reverse torque limit. Unit: %	0 to 800
104	Get/Set	Torque Related Function Switch	UINT	Sets the torque-related function selections.	0x0000 to 0x1111

Continued on next page.

Continued from previous page.

No.	Access	Name	Data Type	Description	Value
105	Get/Set	1st Notch Filter Frequency	UINT	Sets the first stage notch filter frequency. Unit: Hz	50 to 5,000
106	Get/Set	1st Notch Filter Q Value	UINT	Sets the first stage notch filter Q value. Unit: 0.01	50 to 1,000
107	Get/Set	1st Notch Filter Depth	UINT	Specifies the first stage notch filter depth. Unit: 0.001	0 to 1,000
108	Get/Set	2nd Notch Filter Frequency	UINT	Sets the second stage notch filter frequency. Unit: Hz	50 to 5,000
109	Get/Set	2nd Notch Filter Q Value	UINT	Sets the second stage notch filter Q value. Unit: 0.01	50 to 1,000
111	Get/Set	2nd Step 2nd Torque Reference Filter Frequency	UINT	Sets the second stage second torque reference filter frequency. Unit: Hz	100 to 5,000
112	Get/Set	2nd Step 2nd Torque Reference Filter Q Value	UINT	Sets the second stage second torque reference filter Q value. Unit: 0.01	50 to 100
113	Get/Set	1st Step 2nd Torque Reference Filter Time Constant	UINT	Sets the first stage second torque reference filter time constant. Unit: 0.01 ms	0 to 65,535
115	Get/Set	Torque Limit at Main Circuit Voltage Drop	UINT	Sets the torque limit at main circuit voltage drop. Unit: %	0 to 100
116	Get/Set	Release Time for Torque Limit at Main Circuit Voltage Drop	UINT	Sets the release time for the torque limit at main circuit voltage drop. Unit: ms	0 to 1,000
117	Get/Set	Sweep Torque Reference Amplitude	UINT	Sets the sweep torque reference amplitude. Unit: %	1 to 800
118	Get/Set	Notch Filter Adjustment Switch	UINT	Sets the notch filter adjustment selections.	0x0000 to 0x0101
122	Get/Set	Brake Reference - Servo OFF Delay Time	UINT	Sets the brake reference-servo OFF delay time. Unit: 10 ms	0 to 50
123	Get/Set	Brake Reference Output Speed 5.2.4 Level	UINT	Sets the brake reference output speed level. Unit: min ⁻¹	0 to 10,000
124	Get/Set	Waiting Time for Brake Signal When Motor Running	UINT	Sets the servo OFF-brake command waiting time. Unit: 10 ms	10 to 100
125	Get/Set	Instantaneous Power Cut Hold Time	UINT	Sets the momentary power interruption hold time. Unit: ms	20 to 1,000
135	Get/Set	Excessive Error Level between Servomotor and Load Positions	DINT	Sets the excessive following deviation level between the motor and load. Unit: Reference units	0 to 1,073,741,824
136	Get/Set	Excessive Position Error Warning Level	UINT	Sets the position deviation overflow warning level. Unit: %	10 to 100
137	Get/Set	Excessive Position Error Alarm Level	UDINT	Sets the position deviation overflow alarm level. Unit: Reference units	1 to 1,073,741,823

Continued on next page.

Continued from previous page.

No.	Access	Name	Data Type	Description	Value
140	Get/Set	Excessive Position Error Alarm Level at Servo ON	UDINT	Sets the position deviation overflow alarm level when the servo is turned ON. Unit: Reference units	1 to 1,073,741,823
141	Get/Set	Excessive Position Error Warning Level at Servo ON	UINT	Sets the position deviation overflow warning level when the servo is turned ON. Unit: %	10 to 100
142	Get/Set	Speed Limit Level at Servo ON	UINT	Sets the speed limit level when the servo is turned ON. Unit: min ⁻¹	0 to 10,000
143	Get/Set	Multiplier per One Fully-closed Rotation	UINT	Sets the multiplier per fully-closed rotation. Unit: %	0 to 100
144	Get/Set	Overload Warning Level	UINT	Sets the overload warning level. Unit: %	1 to 100
145	Get/Set	Derating of Base Current at Detecting Overload of Motor	UINT	Sets the base current derating at motor overload detection. Unit: %	10 to 100
147	Get/Set	Program JOG Operation Related Switch	UINT	Sets the program jogging-related selections.	0x0000 to 0x0005
148	Get/Set	Program JOG Movement Distance	UINT	Sets the program jogging travel distance. Unit: Reference units	1 to 1,073,741,824
149	Get/Set	Program JOG Movement Speed	UINT	Sets the program jogging movement speed. Unit: min ⁻¹	1 to 10,000
150	Get/Set	Program JOG Acceleration / Deceleration Time	UINT	Sets the program jogging acceleration/ deceleration time. Unit: ms	2 to 10,000
151	Get/Set	Program JOG Waiting Time	UINT	Sets the program jogging waiting time. Unit: ms	0 to 10,000
152	Get/Set	Number of Times of Program JOG Movement	UINT	Sets the number of program jogging movements. Unit: Number of movements	0 to 1,000
153	Get/Set	Analog Monitor 1 Offset Voltage	INT	Sets the analog monitor 1 offset voltage. Unit: 0.1 V	-10,000 to 10,000
154	Get/Set	Analog Monitor 2 Offset Voltage	INT	Sets the analog monitor 2 offset voltage. Unit: 0.1 V	-10,000 to 10,000
155	Get/Set	Analog Monitor 1 Magnification	INT	Sets the analog monitor 1 magnification. Unit: 0.01x	-10,000 to 10,000
156	Get/Set	Analog Monitor 2 Magnification	INT	Sets the analog monitor 2 magnification. Unit: 0.01x	-10,000 to 10,000
157	Get/Set	Remained Vibration Detection Width	UINT	Sets the residual vibration detection width. Unit: 0.1%	1 to 3,000
158	Get/Set	Overshoot Detection Level	UINT	Sets the overshoot detection level. Unit: %	0 to 100
159	Get/Set	Regenerative Resistor Capacity	UINT	Sets the regenerative resistor capacity. Unit: 10 W	0 to Upper limit of SERVOPACK capacity

◆ Services

Service Code	Service	Description
0x0E	Get_Attribute_Single	Returns the value of the specified attribute.
0x10	Set_Attribute_Single	Changes the value of the specified attribute.

16.4 Relationship between Parameters and Attributes

Pn No.	Object No.	Attribute No.	Parameter Name	Attribute Name
Pn000	0x66	10	Basic Function Selections 0	Basic Function Select Switch 0
Pn001	0x66	11	Application Function Selections 1	Application Function Select Switch 1
Pn002	0x66	12	Application Function Selections 2	Application Function Select Switch 2
Pn006	0x66	13	Application Function Selections 6	Application Function Select Switch 6
Pn007	0x66	14	Application Function Selections 7	Application Function Select Switch 7
Pn008	0x66	15	Application Function Selections 8	Application Function Select Switch 8
Pn009	0x66	16	Application Function Selections 9	Application Function Select Switch 9
Pn00B	0x66	17	Application Function Selections B	Application Function Select Switch B
Pn00C	0x66	18	Application Function Selections C	Application Function Select Switch C
Pn00D	0x66	19	Application Function Selections D	Application Function Select Switch D
Pn080	0x66	21	Application Function Selections 80	Application Function Select Switch 80
Pn100	0x66	23	Speed Loop Gain	Speed Loop Gain
Pn101	0x66	24	Speed Loop Integral Time Constant	Speed Loop Integral Time Constant
Pn102	0x66	25	Position Loop Gain	Position Loop Gain
Pn103	0x66	26	Moment of Inertia Ratio	Moment of Inertia Ratio
Pn104	0x66	27	Second Speed Loop Gain	2nd Speed Loop Gain
Pn105	0x66	28	Second Speed Loop Integral Time Constant	2nd Speed Loop Integral Time Constant
Pn106	0x66	29	Second Position Loop Gain	2nd Position Loop Gain
Pn109	0x66	30	Feedforward	Feedforward Gain
Pn10A	0x66	31	Feedforward Filter Time Constant	Feedforward Filter Time Constant
Pn10B	0x66	32	Gain Application Selections	Application Function for Gain Select Switch
Pn10C	0x66	33	Mode Switching Level for Torque Reference	Mode Switch (torque reference)
Pn10D	0x66	34	Mode Switching Level for Speed Reference	Mode Switch (speed reference)
Pn10E	0x66	35	Mode Switching Level for Acceleration	Mode Switch (acceleration)
Pn10F	0x66	36	Mode Switching Level for Position Deviation	Mode Switch (position error)
Pn11F	0x66	37	Position Integral Time Constant	Position Integral Time Constant
Pn121	0x66	38	Friction Compensation Gain	Friction Compensation Gain
Pn122	0x66	39	Second Friction Compensation Gain	2nd Gain for Friction Compensation
Pn123	0x66	40	Friction Compensation Coefficient	Friction Compensation Coefficient
Pn124	0x66	41	Friction Compensation Frequency Correction	Friction Compensation Frequency Correction
Pn125	0x66	42	Friction Compensation Gain Correction	Friction Compensation Gain Correction

Continued on next page.

Continued from previous page.

Pn No.	Object No.	Attribute No.	Parameter Name	Attribute Name
Pn131	0x66	43	Gain Switching Time 1	Gain Switching Time 1
Pn132	0x66	44	Gain Switching Time 2	Gain Switching Time 2
Pn135	0x66	45	Gain Switching Waiting Time 1	Gain Switching Waiting Time 1
Pn136	0x66	46	Gain Switching Waiting Time 2	Gain Switching Waiting Time 2
Pn139	0x66	47	Automatic Gain Switching Selections 1	Automatic Gain Changeover Related Switch 1
Pn13D	0x66	48	Current Gain Level	Auto Gain Switching Switches
Pn140	0x66	49	Model Following Control-Related Selections	Model Following Control Related Switch
Pn141	0x66	50	Model Following Control Gain	Model Following Control Gain
Pn142	0x66	51	Model Following Control Gain Correction	Model Following Control Gain Compensation
Pn143	0x66	52	Model Following Control Bias in the Forward Direction	Model Following Control Bias (Forward Direction)
Pn144	0x66	53	Model Following Control Bias in the Reverse Direction	Model Following Control Bias (Reverse Direction)
Pn145	0x66	54	Vibration Suppression 1 Frequency A	Vibration Suppression 1 Frequency A
Pn146	0x66	55	Vibration Suppression 1 Frequency B	Vibration Suppression 1 Frequency B
Pn147	0x66	56	Model Following Control Speed Feedforward Compensation	Model Following Control Speed Feedforward Compensation
Pn148	0x66	57	Second Model Following Control Gain	2nd Model Following Control Gain
Pn149	0x66	58	Second Model Following Gain Control Correction	2nd Model Following Control Gain Compensation
Pn14A	0x66	59	Vibration Suppression 2 Frequency	Vibration Suppression 2 Frequency
Pn14B	0x66	60	Vibration Suppression 2 Correction	Vibration Suppression 2 Compensation
Pn160	0x66	62	Anti-Resonance Control-Related Selections	Anti-Resonance Control Related Switch
Pn161	0x66	63	Anti-Resonance Frequency	Anti-Resonance Frequency
Pn162	0x66	64	Anti-Resonance Gain Correction	Anti-Resonance Gain Compensation
Pn163	0x66	65	Anti-Resonance Damping Gain	Anti-Resonance Damping Gain
Pn164	0x66	66	Anti-Resonance Filter Time Constant 1 Correction	Anti-Resonance Filter Time Constant 1 Compensation
Pn165	0x66	67	Anti-Resonance Filter Time Constant 2 Correction	Anti-Resonance Filter Time Constant 2 Compensation
Pn170	0x66	68	Tuning-less Function-Related Selections	Tuning-less Function Related Switch
Pn205	0x66	71	Multiturn Limit	Multi-turn Limit Setting
Pn20A	0x66	73	Number of External Encoder Scale Pitches	Number of External Scale Pitch
Pn20E	0x66	74	Electronic Gear Ratio (Numerator)	Electronic Gear Ratio (Numerator)
Pn210	0x66	75	Electronic Gear Ratio (Denominator)	Electronic Gear Ratio (Denominator)
Pn212	0x66	76	Number of Encoder Output Pulses	Encoder Output Pulses
Pn22A	0x66	79	Fully-Closed Control Selections	Fully-closed Control Selection Switch
Pn233	0x66	82	Backlash Compensation Time Constant	Backlash Compensation Time Constant
Pn281	0x66	83	Encoder Output Resolution	Encoder Output Resolution

Continued on next page.

Continued from previous page.

Pn No.	Object No.	Attribute No.	Parameter Name	Attribute Name
Pn304	0x66	88	Jogging Speed	JOG Speed
Pn305	0x66	89	Soft Start Acceleration Time	Soft Start Acceleration Time
Pn306	0x66	90	Soft Start Deceleration Time	Soft Start Deceleration Time
Pn310	0x66	92	Vibration Detection Selections	Vibration Detection Switch
Pn311	0x66	93	Vibration Detection Sensitivity	Vibration Detection Sensibility
Pn312	0x66	94	Vibration Detection Level	Vibration Detection Level
Pn324	0x66	95	Moment of Inertia Calculation Starting Level	Moment of Inertia Calculating Start Level
Pn401	0x66	97	First Stage First Torque Reference Filter Time Constant	Torque Reference Filter Time Constant
Pn402	0x66	98	Forward Torque Limit	Forward Torque Limit
Pn403	0x66	99	Reverse Torque Limit	Reverse Torque Limit
Pn408	0x66	104	Torque-Related Function Selections	Torque Related Function Switch
Pn409	0x66	105	First Stage Notch Filter Frequency	1st Notch Filter Frequency
Pn40A	0x66	106	First Stage Notch Filter Q Value	1st Notch Filter Q Value
Pn40B	0x66	107	First Stage Notch Filter Depth	1st Notch Filter Depth
Pn40C	0x66	108	Second Stage Notch Filter Frequency	2nd Notch Filter Frequency
Pn40D	0x66	109	Second Stage Notch Filter Q Value	2nd Notch Filter Q Value
Pn40F	0x66	111	Second Stage Second Torque Reference Filter Frequency	2nd Step 2nd Torque Reference Filter Frequency
Pn410	0x66	112	Second Stage Second Torque Reference Filter Q Value	2nd Step 2nd Torque Reference Filter Q Value
Pn412	0x66	113	First Stage Second Torque Reference Filter Time Constant	1st Step 2nd Torque Reference Filter Time Constant
Pn424	0x66	115	Torque Limit at Main Circuit Voltage Drop	Torque Limit at Main Circuit Voltage Drop
Pn425	0x66	116	Release Time for Torque Limit at Main Circuit Voltage Drop	Release Time for Torque Limit at Main Circuit Voltage Drop
Pn456	0x66	117	Sweep Torque Reference Amplitude	Sweep Torque Reference Amplitude
Pn460	0x66	118	Notch Filter Adjustment Selections 1	Notch Filter Adjustment Switch
Pn506	0x66	122	Brake Reference-Servo OFF Delay Time	Brake Reference - Servo OFF Delay Time
Pn507	0x66	123	Brake Reference Output Speed Level	Brake Reference Output Speed 5.2.4 Level
Pn508	0x66	124	Servo OFF-Brake Command Waiting Time	Waiting Time for Brake Signal When Motor Running
Pn509	0x66	125	Momentary Power Interruption Hold Time	Instantaneous Power Cut Hold time
Pn51B	0x66	135	Motor-Load Position Deviation Overflow Detection Level	Excessive Error Level between Servomotor and Load Positions
Pn51E	0x66	136	Position Deviation Overflow Warning Level	Excessive Position Error Warning Level
Pn520	0x66	137	Position Deviation Overflow Alarm Level	Excessive Position Error Alarm Level
Pn526	0x66	140	Position Deviation Overflow Alarm Level at Servo ON	Excessive Position Error Alarm Level at Servo ON
Pn528	0x66	141	Position Deviation Overflow Warning Level at Servo ON	Excessive Position Error Warning Level at Servo ON
Pn529	0x66	142	Speed Limit Level at Servo ON	Speed Limit Level at Servo ON

Continued on next page.

Continued from previous page.

Pn No.	Object No.	Attribute No.	Parameter Name	Attribute Name
Pn52A	0x66	143	Multiplier per Fully-Closed Rotation	Multiplier per One Fully-closed Rotation
Pn52B	0x66	144	Overload Warning Level	Overload Warning Level
Pn52C	0x66	145	Base Current Derating at Motor Overload Detection	Derating of Base Current at Detecting Overload of Motor
Pn530	0x66	147	Program Jogging-Related Selections	Program JOG Operation Related Switch
Pn531	0x66	148	Program Jogging Travel Distance	Program JOG Movement Distance
Pn533	0x66	149	Program Jogging Movement Speed	Program JOG Movement Speed
Pn534	0x66	150	Program Jogging Acceleration/Deceleration Time	Program JOG Acceleration / Deceleration Time
Pn535	0x66	151	Program Jogging Waiting Time	Program JOG Waiting Time
Pn536	0x66	152	Program Jogging Number of Movements	Number of Times of Program JOG Movement
Pn550	0x66	153	Analog Monitor 1 Offset Voltage	Analog Monitor 1 Offset Voltage
Pn551	0x66	154	Analog Monitor 2 Offset Voltage	Analog Monitor 2 Offset Voltage
Pn552	0x66	155	Analog Monitor 1 Magnification	Analog Monitor 1 Magnification
Pn553	0x66	156	Analog Monitor 2 Magnification	Analog Monitor 2 Magnification
Pn560	0x66	157	Residual Vibration Detection Width	Remained Vibration Detection Width
Pn561	0x66	158	Overshoot Detection Level	Overshoot Detection Level
Pn600	0x66	159	Regenerative Resistor Capacity	Regenerative Resistor Capacity
PnB01	0x25	253	Origin Return Direction	Home Direction
PnB03	0x25	254	Origin Approach Speed	Home Fast Velocity
PnB04	0x25	255	Origin Return Creep Speed	Home Slow Velocity
PnB05	0x64	15	Final Travel Distance for Origin Return	Final Travel Distance
PnB09	0x24	17	Origin Offset	Home Position
PnB12	0x64	32	Coordinate Type Selection	Coordinate Type
PnB13	0x64	33	Reference Units per Machine Revolution	Command Value per Machine Rotation
PnB16	0x25	54	Forward Software Limit	Positive Software Limit Position
PnB17	0x25	55	Reverse Software Limit	Negative Software Limit Position
PnB18	0x25	52	Software Limit Action Selection	Software Limit Enable
PnB1A	0x25	49	Hardware Limit Action Selection	Hardware Limit Action
PnB1C	0x25	241	External Stop Action Selection	External Stop Action
PnB21	0x25	7	Feed Speed	Target velocity
PnB26	0x25	18	Acceleration/Deceleration Type	Profile Type
PnB29	0x25	18	Filter Selection	Profile Type
PnB2A	0x25	8	Acceleration Rate	Acceleration
PnB2B	0x25	9	Deceleration Rate	Deceleration
PnB40	0x64	70	Time Constant for Exponential Acceleration/Deceleration	Time Constant of Exponential Curve
PnB41	0x64	71	Exponential Acceleration/Deceleration Bias Speed	Bias Velocity
PnB42	0x25	19	Average Movement Time Filter Time Constant	Profile Gain
PnB50	0x25	38	Positioning Completed Width	Position Deadband
PnB51	0x64	91	Positioning Completion Timeout Time	Positioning Timeout
PnB54	0x25	200	Positioning Approach Speed	Approach Speed for Positioning

Continued on next page.

Continued from previous page.

Pn No.	Object No.	Attribute No.	Parameter Name	Attribute Name
PnB55	0x25	201	End Position	End Position
PnB59	0x64	99	Approach Mode	Approach Mode
PnBA3	0x64	173	Input Signal Logic Setting	Input Signal Logic Setting
PnBA4	0x64	174	Input Signal Setting	Input Signal Setting
PnBA5	0x64	255	Action Definition Setting	Behavior Definition
PnBA7	0x64	253	Initialization Setting	Initializing Function

16.5 Relation between Alarm Codes and Alarm Numbers

Alarm Code	MS Indicator	NS Indicator	Alarm Name	Alarm Number	Description
0x01	Lights red.	–	Power Element Error	A.030	Main Circuit Encoder Error
				A.330	Main Circuit Power Supply Wiring Error
0x03	Flashes red.	–	External Overheat	A.7Ab	SERVOPACK Built-in Fan Stopped
0x05	Flashes red.	–	Overvoltage	A.400	Overvoltage
				A.410	Undervoltage
0x07	Flashes red.	–	Control Power Error	A.A97	Control Power Error
0x08	Lights red.	–	Sensor Error	A.810	Encoder Backup Error
				A.820	Encoder Checksum Error
				A.830	Encoder Battery Alarm
				A.840	Encoder Data Alarm
				A.850	Encoder Overspeed
				A.860	Encoder Overheated
				A.861	Motor Overheated
				A.930	Absolute Encoder Battery Error
				A.C80	Encoder Clear Error
				A.C90	Encoder Communications Error
				A.C91	Encoder Communications Position Data Acceleration Rate Error
				A.C92	Encoder Communications Timer Error
				A.CA0	Encoder Parameter Error
A.Cb0	Encoder Echoback Error				
A.CC0	Multiturn Limit Disagreement				
0x0a	Flashes red.	–	Overload	A.710	Instantaneous Overload
				A.720	Continuous Overload
				A.730	Dynamic Brake Overload
				A.740	Inrush Current Limiting Resistor Overload
				A.910	Overload
0x0b	Flashes red.	–	Overspeed	A.510	Overspeed
0x0d	Flashes red.	–	Overflow	A.900	Position Deviation Overflow Warning
				A.901	Position Deviation Overflow Warning at Servo ON
				A.d00	Position Deviation Overflow Alarm
				A.d01	Position Deviation Overflow Alarm at Servo ON
				A.d02	Position Deviation Overflow Alarm for Speed Limit at Servo ON
				A.A90	Excessive Positioning Time
0x10	Flashes red.	–	Main Circuit Power Supply Error	A.A98	Main Circuit Power Supply Error
				A.F10	Power Supply Line Open Phase
				A.F50	Servomotor Main Circuit Cable Disconnection
0x12	Flashes red.	–	Regeneration Error	A.300	Regeneration Error
				A.320	Regenerative Overload
				A.920	Regenerative Overload Warning

Continued on next page.

Continued from previous page.

Alarm Code	MS Indicator	NS Indicator	Alarm Name	Alarm Number	Description
0x13	Lights red.	–	Servo CPU Error	A.bF0	System Alarm 0
				A.bF1	System Alarm 1
				A.bF2	System Alarm 2
				A.bF3	System Alarm 3
				A.bF4	System Alarm 4
A.C10	Servomotor Out of Control				
0x14	Lights red.	–	EEPROM Error	A.020	Parameter Checksum Error
0x18	Flashes red.	–	Overcurrent	A.100	Overcurrent
0x20	–	Lights red.	Duplicate MAC ID	A.AE6	Duplicated Address Error
0x21	–	Lights red.	Bus-OFF Error	A.AE9	Bus-OFF Error
0x22	Lights red.	–	Dual Port RAM Error	A.E00	Command Option Module Interface Initialization Timeout Error
				A.E02	Command Option Module Interface Synchronization Error 1
				A.E80	Command Option Module Detection Inconsistency Alarm
0xF0	Flashes red.	–	Parameter Setting Error	A.040	Parameter Setting Error
				A.A94	Data Setting Warning
0xF1	Flashes red.	–	Command Error	A.A95	Command Error
0xF2	Flashes red.	–	Combination Error	A.050	Combination Error
0xF4	Flashes red.	–	Rotary Switch Setting Error	A.AE8	Rotary Switch Setting Error
0xF5	Flashes red.	–	Vibration Error	A.520	Vibration Alarm
				A.911	Vibration
0xFF	Flashes red.	–	Other Errors	–	–

Index

Symbols

/BK ----- 5-31
 /BK (Brake) signal- ----- 5-31
 /COIN ----- 8-67
 /HOME ----- 12-3
 /HWBB1 ----- 4-38
 /HWBB2 ----- 4-38
 /NEAR ----- 8-67
 /S-RDY ----- 6-4
 /S-RDY (Servo Ready) signal- ----- 6-4
 /WARN ----- 6-3
 /WARN (Warning) signal- ----- 6-3

A

A.CC0 ----- 6-20
 absolute encoder ----- 6-18
 Origin Offset ----- 12-4
 resetting ----- 5-45
 wiring ----- 4-25
 Absolute/Incremental ----- 13-6
 AC power supply input
 setting ----- 5-13
 AC reactor
 wiring ----- 4-23
 Acceleration Rate ----- 13-8
 acceleration/deceleration ----- 12-6
 acceleration/deceleration type ----- 12-6
 action definition settings ----- 12-16
 additional adjustment functions ----- 8-66
 Alarm ----- 13-9
 Alarm Clear ----- 13-8
 alarm reset possibility ----- 14-5
 alarm tracing ----- 9-16
 ALM ----- 6-3
 ALM (Servo Alarm) signal ----- 6-3
 Analog Monitor Connector ----- 4-46
 analog monitor factors ----- 9-11
 anti-resonance control ----- 8-51
 approach mode ----- 12-15
 approach speed ----- 12-14
 Assembly objects ----- 16-9
 asymmetric linear acceleration/deceleration
 (constant acceleration/deceleration rates) ----- 12-7
 asymmetric S-curve acceleration/deceleration
 (constant acceleration/deceleration rates) ----- 12-10
 Attribute Change command ----- 13-24
 Attribute ID ----- 13-12
 attribute ID ----- 13-12
 automatic detection of connected motor ----- 5-15

automatic execution for Module reset ----- 12-16
 automatic gain switching ----- 8-66
 automatic notch filters ----- 8-31
 autotuning with a host reference ----- 8-34
 autotuning without a host reference ----- 8-23
 Average Movement Time Filter Time Constant ----- 12-12
 Axis Instance ----- 13-6, 13-11

B

backlash compensation ----- 8-74
 base block (BB) ----- xi
 battery
 replacement ----- 14-3
 block commands ----- 13-23
 block diagram ----- 2-11
 Block Fault ----- 13-10
 Block In Execution ----- 13-9
 Block Number ----- 13-6
 Block Sequencer object ----- 16-14
 BOOL ----- 1-4
 brake operation delay time ----- 5-30
 brake release delay time ----- 5-30

C

CAN ----- 1-4
 CCW ----- 1-4, 5-16
 CCW Drive Prohibit
 Input (CCW-OT) signal ----- 5-28
 Input signal ----- 13-10, 13-22
 CCW Hardware Limit ----- 13-10, 13-22
 CCW-OT ----- 5-28
 Class ID ----- 13-11
 class ID ----- 13-11
 clearing alarm history ----- 14-45
 CN1 ----- 4-32
 CN2 ----- 4-24
 CN3 ----- 4-46
 CN5 ----- 4-46
 CN7 ----- 4-46
 CN8 ----- 4-37
 coasting ----- 5-34
 coasting to a stop ----- 5-34
 coefficient of speed fluctuation ----- 2-10
 Command Assembly Code ----- 13-6
 command block links ----- 13-28
 command block number ----- 13-6
 Command Block objects ----- 16-15
 command blocks ----- 13-23
 Command Data ----- 13-7
 command data specifications ----- 13-7
 Command Error ----- 13-11
 command error clear method ----- 12-16

- command format - - - - - 13-5, 13-11
- compatible adjustment functions - - - - - 8-89
- Computer Connector - - - - - 4-46
- Conditional Link Greater Than command - - - - - 13-25
- Conditional Link Less Than command - - - - - 13-25
- connecting a safety function device - - - - - 11-13
- Connection objects - - - - - 16-9
- Continuous Motor Speed - - - - - 13-8
- continuous operation - - - - - 13-14
- Control Parameter object - - - - - 16-16
- countermeasures against noise - - - - - 4-6
- creating and changing command blocks - - - - - 13-28
- current control mode selection - - - - - 8-73
- current gain level setting - - - - - 8-73
- custom tuning - - - - - 8-42
- CW - - - - - 1-4, 5-16
- CW Drive Prohibit
- Input (CW-OT) signal - - - - - 5-28
- Input signal - - - - - 13-10, 13-22
- CW Hardware Limit - - - - - 13-10, 13-22
- CW-OT - - - - - 5-28
- D**
- data types - - - - - 1-4
- BOOL - - - - - 1-4
- DINT - - - - - 1-4
- INT - - - - - 1-4
- STRING - - - - - 1-4
- UDINT - - - - - 1-4
- UINT - - - - - 1-4
- USINT - - - - - 1-4
- WORD - - - - - 1-4
- DC power supply input - - - - - 4-12
- setting - - - - - 5-13
- DC Reactor
- terminals - - - - - 4-11
- wiring - - - - - 4-23
- decelerating to a stop - - - - - 5-34
- Deceleration Rate - - - - - 13-8
- Decrement Counter command - - - - - 13-26
- Delay command - - - - - 13-26
- detection timing for Overload Alarms (A.720) - - - - - 5-39
- detection timing for Overload Warnings (A.910) - - - - - 5-38
- DeviceNet communications - - - - - 4-39
- basic precautions - - - - - 4-43
- branching from a drop line - - - - - 4-41
- branching from the trunk line - - - - - 4-40
- cable connection example - - - - - 4-40
- communications power supply - - - - - 4-40
- connection methods - - - - - 4-40
- drop line lengths - - - - - 4-42
- drop lines - - - - - 4-40
- I/O signals - - - - - 4-44
- location of power supply - - - - - 4-44
- maximum network length - - - - - 4-41
- multi-drop connection - - - - - 4-40
- network grounding methods - - - - - 4-45
- nodes - - - - - 4-40
- pin arrangement and connector - - - - - 4-45
- signal names and functions of connector (CN6) - - - - - 4-44
- system configuration example - - - - - 4-39
- T-branch connection - - - - - 4-40
- terminating resistance - - - - - 4-40
- total drop line length - - - - - 4-42
- trunk line - - - - - 4-40
- DeviceNet data management - - - - - 13-31
- DeviceNet Module
- alarm code list - - - - - 16-28
- driven by control power supply - - - - - 1-4, 2-5
- driven by external power supply - - - - - 1-4, 2-5
- for different power supply method - - - - - 1-4
- power loss - - - - - 2-5
- SGDV-OCA04A - - - - - 2-5
- SGDV-OCA05A - - - - - 2-5
- DeviceNet object - - - - - 16-8
- DeviceNet object model - - - - - 16-5
- DeviceNet terminology - - - - - 1-4
- CAN - - - - - 1-4
- CCW - - - - - 1-4
- CW - - - - - 1-4
- explicit message communications - - - - - 1-4
- I/O communications - - - - - 1-4
- ODVA - - - - - 1-4
- diagnostic output circuits - - - - - 4-38
- diagnostic tools - - - - - 8-93
- DINT - - - - - 1-4
- direct positioning - - - - - 12-13
- Direction - - - - - 13-6
- displaying alarm history - - - - - 14-44
- dynamic brake applied - - - - - 5-34
- dynamic brake stopping - - - - - 5-34
- E**
- EasyFFT - - - - - 8-95
- EDM1 - - - - - 11-9
- EDM1 (External Device Monitor) signal - - - - - 11-9
- electronic gear - - - - - 5-40
- EMC installation conditions - - - - - 3-8
- Enable - - - - - 13-6
- Enable State - - - - - 13-10
- enabling/disabling the EXSTOP (External Stop Input) signal - - - - - 6-34
- encoder divided pulse output - - - - - 6-9, 10-7
- setting - - - - - 6-14
- signals - - - - - 6-9
- encoder resolution - - - - - 5-42, 6-14
- end position - - - - - 12-15

estimating the moment of inertia - - - - - 8-15
 executing a Module Reset - - - - -13-33
 Executing Block Number - - - - -13-10
 explicit message communications - - - - - 1-4, 13-11
 exponential acceleration/deceleration
 (constant acceleration/deceleration times) - - - - - 12-7
 exponential acceleration/deceleration with bias
 (constant acceleration/deceleration times) - - - - - 12-8
 EXSTOP - - - - - 6-34, 13-21
 EXSTOP (External Stop Input) signal - - - - - 6-34
 External Regenerative Resistor - - - - - 5-51
 External Stop Input - - - - - 13-9
 external stop input - - - - -13-21
 external stop operation - - - - -13-21

F

Feed Speed - - - - -12-11
 feedback pulse counter - - - - - 5-23
 feedforward - - - - - 8-89
 feedforward compensation - - - - - 8-89
 FG - - - - - 4-9, 4-32
 filter selection - - - - - 12-6
 final travel distance for origin return - - - - - 12-4
 forward direction - - - - - 10-6
 forward rotation - - - - - 5-16
 friction compensation - - - - - 8-32, 8-69
 fully-closed system - - - - - 10-2

G

gain switching - - - - - 8-66
 Goto Origin command - - - - -13-27
 gravity compensation - - - - - 8-71
 grounding - - - - - 4-9
 group 1 alarms - - - - - 5-35
 group 2 alarms - - - - - 5-35

H

Hard Stop - - - - - 13-6, 13-20
 Hard Stop operation - - - - -13-20
 hard wire base block (HWBB) - - - - - 11-3
 HWBB input signal specifications - - - - - 11-6
 hard wire base block (HWBB) state - - - - - 11-4
 detecting errors in HWBB signal - - - - - 11-5
 resetting - - - - - 11-5
 hardware limit operation - - - - -13-22
 holding brake - - - - - 5-30
 Home Flag - - - - -13-10
 HWBB - - - - - 11-3, 11-4
 detecting errors in HWBB signal - - - - - 11-5
 HWBB input signal specifications - - - - - 11-6
 HWBB state
 resetting - - - - - 11-5

I

I/O communications - - - - - 1-4, 13-5
 I/O signals
 functions - - - - - 4-32
 monitoring - - - - - 9-6
 names - - - - - 4-32
 wiring example - - - - - 4-33
 Identity object - - - - - 16-7
 initializing the vibration detection level - - - - - 6-26
 Instance ID - - - - - 13-11
 instance ID - - - - - 13-11
 INT - - - - - 1-4
 internal torque limits - - - - - 6-17
 I-P control - - - - - 8-86

J

jogging - - - - - 7-6

L

limiting torque - - - - - 6-17
 Linear Encoder
 wiring example - - - - - 4-25
 linear encoder
 feedback resolution - - - - - 5-43
 scale pitch setting - - - - - 5-17
 Linear Servomotor - - - - - xi
 line-driver output circuits - - - - - 4-36
 list of alarms - - - - - 14-5
 list of parameters - - - - - 15-2
 list of warnings - - - - - 14-49

M

MAC ID - - - - -13-11, 13-12
 Main Circuit Cable - - - - - xi
 main circuit power supply error mask - - - - - 12-16
 main circuit/control power supply alarm clearing
 method - - - - - 12-16
 manual tuning - - - - - 8-79
 mechanical analysis - - - - - 8-93
 Message Router object - - - - - 16-7
 mode switching (changing between proportional
 and PI control) - - - - - 8-90
 module status (MS) indicator - - - - - 1-9
 Momentary Power Interruption Hold Time - - - - - 6-5
 monitor factors - - - - - 9-11
 Motion Monitor - - - - - 9-4
 motor current detection signal
 automatic adjustment - - - - - 6-30
 manual adjustment - - - - - 6-32
 offset - - - - - 6-30
 motor direction setting - - - - - 5-16
 motor maximum speed - - - - - 6-8
 motor overload detection level - - - - - 5-38
 multiturn limit - - - - - 6-19

- Multiturn Limit Disagreement - - - - - 6-20
- N**
- Near Output (/NEAR) signal - - - - - 8-67
- Negative Software Limit - - - - - 13-10, 13-22
- network status (NS) indicator - - - - - 1-9
- Noise Filter- - - - - 4-7
- Noise Filter connection precautions - - - - - 4-8
- NOP - - - - - 13-7
- notch filters - - - - - 8-82
- O**
- object list - - - - - 13-31
- ODVA - - - - - 1-4
- On Target Position - - - - - 12-12, 13-9
- operation for momentary power interruptions - - - - - 6-5
- Origin Approach Speed - - - - - 12-4
- Origin Offset - - - - - 12-4
- Origin Return Creep Speed - - - - - 12-4
- Origin Return Type - - - - - 13-8
- origin return type - - - - - 12-3
- origin return types - - - - - 13-15
- origin returns - - - - - 13-15
- origin search - - - - - 7-18
- Origin Signal Input (/HOME) signal - - - - - 12-3
- connecting - - - - - 12-3
- enabling/disabling - - - - - 12-3
- polarity setting - - - - - 12-3
- output phase form - - - - - 6-10
- overheat protection - - - - - 6-35
- Overheat Protection Input - - - - - 4-32
- overload warnings - - - - - 5-38
- overtravel - - - - - 5-28
- P**
- PAO - - - - - 6-9, 10-7
- parameter initialization - - - - - 12-17
- parameter settings recording table - - - - - 15-26
- parameters
- classification - - - - - 5-3
- initializing parameter settings - - - - - 5-10
- notation (numeric settings) - - - - - xii, 5-4
- notation (selecting functions) - - - - - xii, 5-4
- setting methods - - - - - 5-5
- write prohibition setting - - - - - 5-8
- PBO - - - - - 6-9, 10-7
- PCO - - - - - 6-9, 10-7
- photocoupler input circuits - - - - - 4-35
- photocoupler output circuits - - - - - 4-36
- PI control - - - - - 8-86
- polarity detection - - - - - 5-25
- polarity sensor - - - - - 5-24
- Position Controller object - - - - - 16-12
- Position Controller Supervisor object - - - - - 16-11
- position integral - - - - - 8-92
- position loop gain - - - - - 8-80
- positioning - - - - - 12-6, 13-13
- positioning after continuous operation - - - - - 12-13
- approach mode - - - - - 12-15
- approach speed - - - - - 12-14
- setting the coordinate system - - - - - 12-14
- target position - - - - - 12-15
- positioning by the near course - - - - - 12-14
- positioning command method after continuous operation - - - - - 12-16
- positioning completion - - - - - 12-12
- Positioning Completion Output (/COIN) signal - - - - - 8-67
- Positioning Completion Timeout Time - - - - - 12-12
- positioning in specified rotation direction - - - - - 12-13
- Positive Software Limit - - - - - 13-10, 13-22
- program jogging - - - - - 7-12
- operation pattern - - - - - 7-12
- programmed operation - - - - - 13-23
- R**
- reactors
- AC reactor wiring - - - - - 4-23
- DC reactor terminals - - - - - 4-11
- DC reactor wiring - - - - - 4-23
- reading and changing attributes - - - - - 13-32
- reference unit - - - - - 5-40
- Regenerative Resistor
- connection - - - - - 4-21
- regenerative resistor - - - - - 5-51
- regenerative resistor capacity - - - - - 5-51
- relationship between parameters and attributes - - - - - 16-23
- resetting alarms - - - - - 14-43
- resetting alarms detected in Option Modules - - - - - 14-46
- resetting the absolute encoder - - - - - 12-17
- resetting the Module - - - - - 5-12
- Response Assembly Code - - - - - 13-7, 13-11
- Response Data - - - - - 13-11
- response format - - - - - 13-9, 13-12
- Response Service Data - - - - - 13-12
- reverse direction - - - - - 10-6
- risk assessment - - - - - 11-3
- Rotary Servomotor - - - - - xi
- S**
- Safety Function Signals - - - - - 4-37
- safety functions - - - - - 11-2
- application examples - - - - - 11-10
- monitoring - - - - - 9-6
- precautions - - - - - 11-2
- verification test - - - - - 11-12
- safety input circuits - - - - - 4-37

- saving parameters - - - - - 5-12
 scale pitch - - - - - 5-17
 selecting the phase sequence for a Linear Servomotor - 5-22
 selecting torque limits - - - - - 6-17
 SEMI F47 function - - - - - 6-6
 Serial Communications Connector - - - - - 4-46
 Serial Converter Unit - - - - - 5-17
 Service Code - - - - - 13-11, 13-12
 Service Data - - - - - 13-12
 Servo Drive - - - - - xi
 servo gains - - - - - 8-79
 servo lock - - - - - xi
 servo OFF - - - - - xi
 servo ON - - - - - xi
 Servo Ready - - - - - 13-10
 Servo System - - - - - xi
 Servomotor - - - - - xi
 Servomotor stopping method for alarms - - - - - 5-35
 SERVOPACK - - - - - xi
 inspections and part replacement - - - - - 14-2
 part names - - - - - 1-6
 ratings - - - - - 2-2
 specifications - - - - - 2-7
 status display - - - - - 1-8
 SERVOPACK Parameter object - - - - - 16-17
 Set_Attribute_All - - - - - 13-28
 Set_Attribute_Single - - - - - 13-29
 setting overtravel signal polarity - - - - - 5-29
 setting the acceleration rate - - - - - 12-11
 setting the acceleration/deceleration pattern - - - - - 12-11
 setting the baud rate - - - - - 13-4
 setting the coordinate system - - - - - 12-2, 12-14
 setting the deceleration rate - - - - - 12-11
 setting the exponential acceleration/deceleration rate - 12-12
 setting the node address - - - - - 13-3
 setting the origin - - - - - 5-48, 12-5
 setting the origin return direction - - - - - 12-4
 setting the origin return speeds - - - - - 12-4
 setting the polarity of the EXSTOP (External Stop Input)
 signal - - - - - 6-34
 setting the position deviation overflow alarm level - - - - - 8-7
 setting the position deviation overflow alarm level
 at servo ON - - - - - 8-9
 setting the reference units per machine revolution - - - - - 12-2
 setting the vibration detection level - - - - - 8-9
 setup parameters - - - - - 5-3
 SG - - - - - 4-32
 SGDV-OCA04A - - - - - 2-5
 SGDV-OCA05A - - - - - 2-5
 SigmaWin+ - - - - - xi
 single-phase AC power supply input
 setting - - - - - 5-14
 single-phase, 100-VAC power supply input
 wiring example - - - - - 4-19
 single-phase, 200-VAC power supply input
 wiring example - - - - - 4-16
 sink circuits - - - - - 4-35
 Smooth Stop - - - - - 13-6, 13-21
 Smooth Stop operation - - - - - 13-21
 software limit operation - - - - - 13-22
 software limits - - - - - 6-16
 software reset - - - - - 6-24
 source circuits - - - - - 4-35
 speed detection method selection - - - - - 8-74
 speed loop gain - - - - - 8-81
 speed loop integral time constant - - - - - 8-81
 Spring Opener - - - - - 4-13
 Start Block - - - - - 13-5
 Start Trajectory - - - - - 13-5
 starting programmed operation - - - - - 13-30
 Status Monitor - - - - - 9-4
 stopping by applying the dynamic brake - - - - - 5-34
 stopping method for servo OFF - - - - - 5-35
 storage humidity - - - - - 2-7
 storage temperature - - - - - 2-7
 STRING - - - - - 1-4
 surrounding air humidity - - - - - 2-7
 surrounding air temperature - - - - - 2-7
 Switch to Positioning - - - - - 13-9
 switching condition A - - - - - 8-67
 switching to positioning - - - - - 13-18
 symmetric linear acceleration/deceleration
 (constant acceleration/deceleration rates) - - - - - 12-6
 symmetric linear acceleration/deceleration
 (constant acceleration/deceleration times) - - - - - 12-8
 symmetric S-curve acceleration/deceleration
 (constant acceleration/deceleration rates) - - - - - 12-9
 System Monitor - - - - - 9-3
- T**
- Target Position - - - - - 13-7
 Target Speed - - - - - 13-8
 Target Speed Change command - - - - - 13-27
 test without a motor - - - - - 7-20
 TH - - - - - 4-32
 three-phase AC power supply input
 setting - - - - - 5-14
 three-phase, 200-VAC power supply input - - - - - 4-11
 torque reference filter - - - - - 8-82
 Trajectory and Wait command - - - - - 13-26
 Trajectory command - - - - - 13-26
 Trajectory In Progress - - - - - 13-9
 Trajectory Start Echo - - - - - 13-10
 trial operation
 DeviceNet communications - - - - - 7-9

troubleshooting alarms	14-11
troubleshooting warnings	14-50
tuning parameters	-5-4
tuning-less	
load level	8-13
rigidity level	8-13
tuning-less function	8-11
Type 0	13-15
Type 1	13-16
Type 3	13-17

U

UDINT	-1-4
UINT	-1-4
USINT	-1-4

V

Valid Data	13-6, 13-10
vibration suppression	8-56

W

Wait Equals command	13-24
WORD	-1-4
writing parameters	-5-18

Z

zero clamping	-5-34
---------------	-------

Revision History

The revision dates and numbers of the revised manuals are given on the bottom of the back cover.

MANUAL NO. SIEP S800001 70C <1>

Published in Japan December 2015

Revision number

Date of publication

Date of Publication	Rev. No.	Section	Revised Contents
December 2016	<2>	All chapters	Addition: Information on SGM7E and SGM7F Direct Drive Servomotors Revision: Information on SigmaWin+ procedures Deletion: Information on SGLC Linear Servomotors
		Preface	Partly revised.
		1.6.3, 4.4.2, 4.4.3, 5.14.1, 5.15, 6.8	Addition: Information on Rotary Servomotors with 24-bit batteryless absolute encoders.
		2.1.1	Addition: Information on input current of control power supply
		2.1.3, 4.2, 4.5	Revision: "Linear Servomotor overheat protection signal input" changed to "overheat protection input."
		3.7	Addition: EMC installations for single-phase 200-VAC and single-phase 100-VAC models.
		6.14, 8.12.3	Newly added.
		9.2.2	Revision: Monitor items in the Status Monitor Window
		Chapter 14	Addition: A.862 and A.93B
		Chapter 15	Addition: Pn022, Pn475, Pn476, Pn61A, Pn61B, Pn61C, and Pn61D
			Deletion: Pn52D
		16.1.2	Addition: Un02F
		Back cover	Revision: Address
December 2015	<1>	Front cover	Revision: Format
		All chapters	Completely revised.
		Back cover	Revision: Address and format
December 2014	–	–	First edition

Σ-7-Series AC Servo Drive

Σ-7S SERVOPACK

Command Option Attachable Type with DeviceNet Module

Product Manual

IRUMA BUSINESS CENTER (SOLUTION CENTER)

480, Kamifujisawa, Iruma, Saitama, 358-8555, Japan
Phone 81-4-2962-5151 Fax 81-4-2962-6138
<http://www.yaskawa.co.jp>

YASKAWA AMERICA, INC.

2121, Norman Drive South, Waukegan, IL 60085, U.S.A.
Phone 1-800-YASKAWA (927-5292) or 1-847-887-7000 Fax 1-847-887-7310
<http://www.yaskawa.com>

YASKAWA ELÉTRICO DO BRASIL LTDA.

777, Avenida Piraporinha, Diadema, São Paulo, 09950-000, Brasil
Phone 55-11-3585-1100 Fax 55-11-3585-1187
<http://www.yaskawa.com.br>

YASKAWA EUROPE GmbH

185, Hauptstraße, Eschborn, 65760, Germany
Phone 49-6196-569-300 Fax 49-6196-569-398
<http://www.yaskawa.eu.com>

YASKAWA ELECTRIC KOREA CORPORATION

35F, Three IFC, 10 Gukjegeumyung-ro, Yeongdeungpo-gu, Seoul, 07326, Korea
Phone 82-2-784-7844 Fax 82-2-784-8495
<http://www.yaskawa.co.kr>

YASKAWA ELECTRIC (SINGAPORE) PTE. LTD.

151, Lorong Chuan, #04-02A, New Tech Park, 556741, Singapore
Phone 65-6282-3003 Fax 65-6289-3003
<http://www.yaskawa.com.sg>

YASKAWA ELECTRIC (THAILAND) CO., LTD.

59, 1st-5th Floor, Flourish Building, Soi Ratchadapisek 18, Ratchadapisek Road, Huaykwang, Bangkok, 10310, Thailand
Phone 66-2-017-0099 Fax 66-2-017-0799
<http://www.yaskawa.co.th>

YASKAWA ELECTRIC (CHINA) CO., LTD.

22F, One Corporate Avenue, No.222, Hubin Road, Shanghai, 200021, China
Phone 86-21-5385-2200 Fax 86-21-5385-3299
<http://www.yaskawa.com.cn>

YASKAWA ELECTRIC (CHINA) CO., LTD. BEIJING OFFICE

Room 1011, Tower W3 Oriental Plaza, No.1, East Chang An Ave.,
Dong Cheng District, Beijing, 100738, China
Phone 86-10-8518-4086 Fax 86-10-8518-4082

YASKAWA ELECTRIC TAIWAN CORPORATION

9F, 16, Nanking E. Rd., Sec. 3, Taipei, 104, Taiwan
Phone 886-2-2502-5003 Fax 886-2-2505-1280

YASKAWA

YASKAWA ELECTRIC CORPORATION

In the event that the end user of this product is to be the military and said product is to be employed in any weapons systems or the manufacture thereof, the export will fall under the relevant regulations as stipulated in the Foreign Exchange and Foreign Trade Regulations. Therefore, be sure to follow all procedures and submit all relevant documentation according to any and all rules, regulations and laws that may apply.

Specifications are subject to change without notice for ongoing product modifications and improvements.

© 2014-2016 YASKAWA ELECTRIC CORPORATION

MANUAL NO. SIEP S800001 70C <2>-0

Published in Japan December 2016
16-12-12

Original instructions