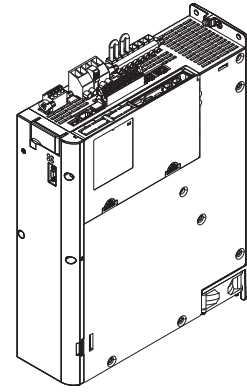


Σ-V-Series AC SERVOPACK
Safety Module
 with FT900 Specification
 Installation Guide

Safety Module Model: SGDV-OSA01A□□□FT900



MANUAL NO. TOBP C720829 09A

APPLICABLE SERVOPACKS

Σ-7 Series

ITEMS REQUIRED FOR INSTALLATION

Package Contents

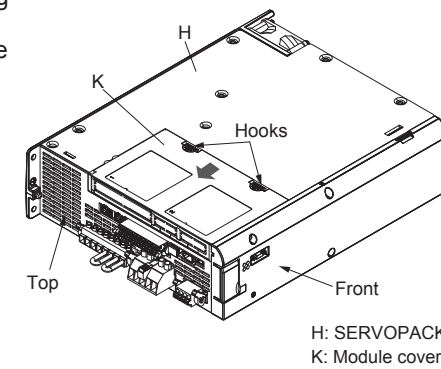
*1: This board is an example and may differ from the received product.
 *2: Details of nameplates shown may differ from the received product. Refer to the user's manual to confirm correct details.

Additional Items (not included)

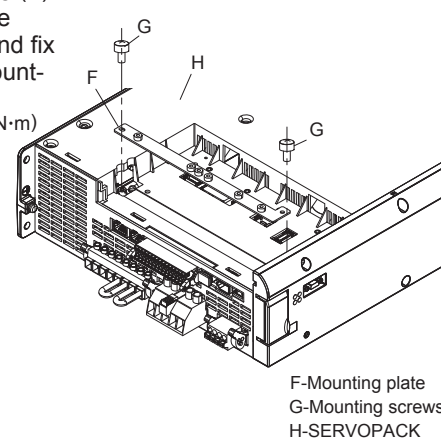
INSTALLATION PROCEDURE

Preparing the SERVOPACK

1. Remove the module cover (K) by pressing in the cover near the hooks and sliding the cover.

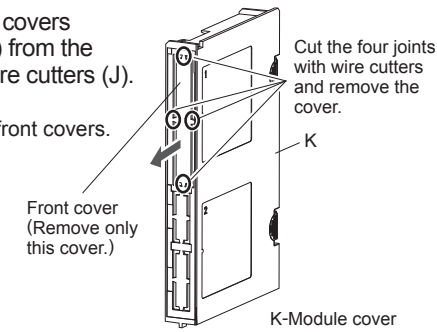


2. Fit the mounting plate (F) into the recess on the SERVOPACK (H), and fix the plate with the mounting screws (G). (Tightening torque: 0.14 N·m)

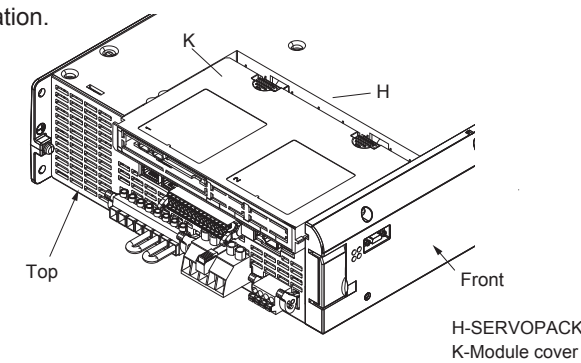


Mounting the Module Cover

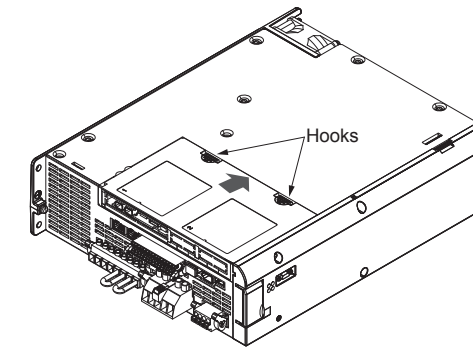
5. Remove one of the front covers (shown in the illustration) from the module cover (K) with wire cutters (J).
 • Do not remove the other front covers.



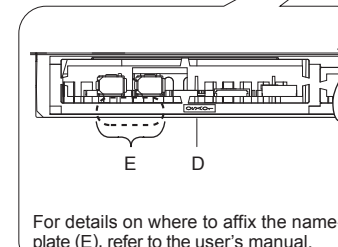
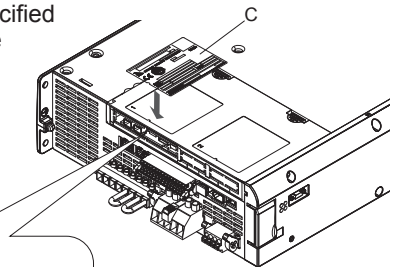
6. Attach the module cover (K) in the location shown in the illustration.



7. Secure the module cover to the SERVOPACK by pressing in the cover near the hooks and sliding the cover.



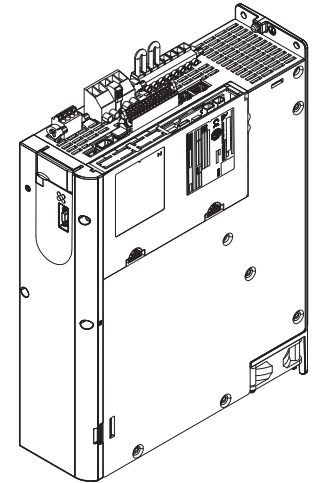
8. Affix the three nameplates (C, D, and E) in the specified positions on the module cover.



① The product is under warranty only when the nameplate (C) is attached.

- C-Nameplate (Ratings)
- D-Nameplate (Model no.)
- E-Nameplate (Component code)

After Installing



Conduct a trial operation after the safety module has been properly installed on the SERVOPACK. For trial operation details, refer to the manual for SERVOPACK being used.

If You Need to Send Us the Option Module for Service

Always leave the option module attached to the SERVOPACK when sending the option module to Yaskawa for service.

INSTALLATION CONDITIONS

- Install the module in the following environment.
- Cover the working area with a conductive or antistatic mat.
 - This mat must be safely grounded with a resistor (1 MΩ ±20%).
 - The surrounding air temperature must be between 0°C and 55°C.
 - Ambient humidity must be 90% RH or less (with no condensation).
 - No extreme changes in temperature that can cause condensation
 - Free from corrosive or flammable gases
 - Free from dust, salts, or iron dust
 - Not subject to water, oil, or chemicals
 - No vibration and/or shock directly transmitted to the product

SAFETY PRECAUTIONS

■ Before Starting

CAUTION

- Always wear an antistatic wrist strap that is safely grounded.
- Touch a safely grounded object to discharge any static electricity from your body.

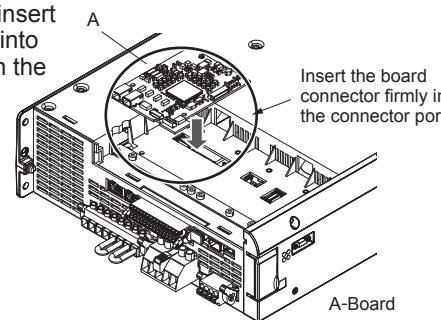
■ Installation

CAUTION

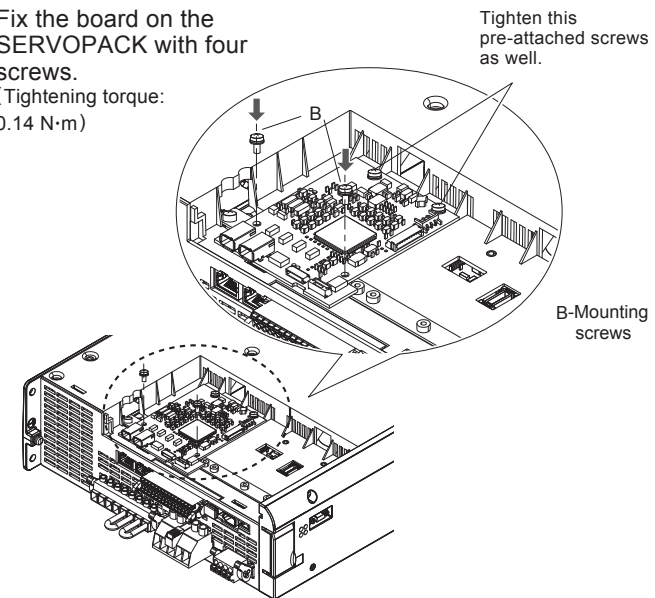
- **Install in the specified environment.** Failure to observe this caution may result in malfunction.
- **Disconnect all cables from the SERVOPACK before installing the board.** Failure to observe this caution may result in malfunction.
- **Do not apply any impact to the board.** Failure to observe this caution may result in malfunction.
- **Protect the board from moisture.** Failure to observe this caution may result in malfunction.
- **Do not touch the connector or electronic components on the board. Hold the board along its edges when installing.** Failure to observe this caution may result in malfunction.
- **Do not place any object on the board.** Failure to observe this caution may result in malfunction.
- **Avoid direct contact with any object that has not had antistatic treatment.** Failure to observe this caution may result in malfunction.
- **Make sure that your clothing is not in contact with the board.** Failure to observe this caution may result in malfunction.
- **Do not tighten the screws with excessive torque.** The recommended tightening torque is 0.14 N·m ±10%. Tightening screws with excessive torque may damage screw threads and the spacer, resulting in deformation of the board.

Installing the Board

3. Hold both ends of the board (A) and firmly insert the board connector into the connector port on the SERVOPACK.



4. Fix the board on the SERVOPACK with four screws. (Tightening torque: 0.14 N·m)



This installation guide gives the procedure for mounting a safety module to a Σ-7-Series SERVOPACK with a 400-VAC power input. Read this installation guide thoroughly as well as the safety precautions (Manual No.: TOBP C720829 00) included with the product.

■ Safety Information

To prevent personal injury and equipment damage in advance, the following signal words are used to indicate safety precautions in this document. The signal words are used to classify the hazards and the degree of damage or injury that may occur if a product is used incorrectly. Information marked as shown below is important for safety. Always read this information and heed the precautions that are provided.

DANGER

- Indicates precautions that, if not heeded, are likely to result in loss of life, serious injury, or fire.

WARNING

- Indicates precautions that, if not heeded, could result in loss of life, serious injury, or fire.

CAUTION

- Indicates precautions that, if not heeded, could result in relatively serious or minor injury, or in fire.

NOTICE

- Indicates precautions that, if not heeded, could result in property damage.

■ General Precautions

- Figures provided in this document are typical examples or conceptual representations. There may be differences between them and actual wiring, circuits, and products.
- The products shown in illustrations in this document are sometimes shown without covers or protective guards. Always replace all covers and protective guards before you use the product.
- If you need a new copy of this document because it has been lost or damaged, contact your nearest Yaskawa representative or one of the offices listed on the back of this document.
- This document is subject to change without notice for product improvements, specifications changes, and improvements to the manual itself. We will update the document number of the document and issue revisions when changes are made.
- Any and all quality guarantees provided by Yaskawa are null and void if the customer modifies the product in any way. Yaskawa disavows any responsibility for damages or losses that are caused by modified products.

Σ-V-Series AC SERVOPACK
Safety Module
 with FT900 Specification
 Installation Guide

- IRUMA BUSINESS CENTER (SOLUTION CENTER)**
 480, Kamifujisawa, Iruma, Saitama, 358-8555, Japan
 Phone: +81-4-2962-5151 Fax: +81-4-2962-6138
<http://www.yaskawa.co.jp>
- YASKAWA AMERICA, INC.**
 2121, Norman Drive South, Waukegan, IL 60085, U.S.A.
 Phone: +1-800-YASKAWA (927-5292) or +1-847-887-7000 Fax: +1-847-887-7310
<http://www.yaskawa.com>
- YASKAWA ELÉTRICO DO BRASIL LTDA.**
 777, Avenida Piraporinha, Diadema, São Paulo, 09950-000, Brasil
 Phone: +55-11-3585-1100 Fax: +55-11-3585-1187
<http://www.yaskawa.com.br>
- YASKAWA EUROPE GmbH**
 Hauptstraße 185, 65760 Eschborn, Germany
 Phone: +49-6196-569-300 Fax: +49-6196-569-399
<http://www.yaskawa.eu.com> E-mail: info@yaskawa.eu.com
- YASKAWA ELECTRIC KOREA CORPORATION**
 35F, Three IFC, 10 Gukjegeumyang-ro, Yeongdeungpo-gu, Seoul, 07268, Korea
 Phone: +82-2-784-7844 Fax: +82-2-784-6495
<http://www.yaskawa.co.kr>
- YASKAWA ELECTRIC (SINGAPORE) PTE. LTD.**
 151, Lorong Chuan, #04-02A, New Tech Park, Singapore, 556741, Singapore
 Phone: +65-6282-9003 Fax: +65-6289-9003
<http://www.yaskawa.com.sg>
- YASKAWA ELECTRIC (THAILAND) CO. LTD.**
 53, 1st-5th Floor, Flourish Building, Soi Ratchadapisek 16, Ratchadapisek Road, Huaykwang, Bangkok, 10310, Thailand
 Phone: +66-2-017-0099 Fax: +66-2-017-0799
<http://www.yaskawa.co.th>
- YASKAWA ELECTRIC (CHINA) CO. LTD.**
 22F, One Corporate Avenue, No.222, Habin Road, Shanghai, 200021, China
 Phone: +86-21-5385-2200 Fax: +86-21-5385-3299
<http://www.yaskawa.com.cn>
- YASKAWA ELECTRIC (CHINA) CO., LTD. BEIJING OFFICE**
 Room 1011, Tower W3 Oriental Plaza, No.1, East Chang An Ave.,
 Dong Cheng District, Beijing, 100738, China
 Phone: +86-10-8513-4098 Fax: +86-10-8513-4082
- YASKAWA ELECTRIC TAIWAN CORPORATION**
 12F, No.207, Sec.3, Beishin Rd., Shindian Dist. New Taipei City 23143, Taiwan
 Phone: +886-2-8913-1333 Fax: +886-2-8913-1513 or +886-2-8913-1519
<http://www.yaskawa.com.tw>

YASKAWA

YASKAWA ELECTRIC CORPORATION

In the event that the user of this product is to be the military and said product is to be employed in any weapons systems or the manufacture thereof, the export will fall under the relevant regulations as stipulated in the Foreign Exchange and Foreign Trade Regulations. Therefore, be sure to follow all procedures and laws that may apply. Specifications are subject to change without notice for ongoing product modifications and improvements.

© 2016 YASKAWA ELECTRIC CORPORATION