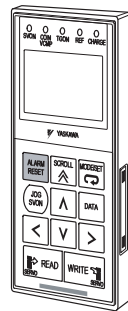


AC Servo Drives
 Σ Series
SAFETY PRECAUTIONS
 Digital Operator

Model: JUSP-OP05A
 JUSP-OP05A-□
 JUSP-OP05A-□-□

To properly use the product, read this manual thoroughly and retain for easy reference, inspection, and maintenance. Ensure the end user receives this manual.



MANUAL NO. TOBP C730800 00A

General Precautions

- The drawings presented in this instructions are sometimes shown without covers or protective guards. Always replace the equipment's cover or protective guard as specified first, and then operate the products in accordance with the instructions.
- The drawings presented in this instructions are typical examples and may not match the product you received.
- These instructions are subject to change due to product improvement, specification modification, and instructions improvement. When these instructions are revised, the instructions code is updated and the new instructions is published as a next edition.
- If the instructions must be ordered due to loss or damage, inform your nearest Yaskawa representative or one of the offices listed on the back of this instructions.
- Yaskawa will not take responsibility for the results of unauthorized modifications of this product. Yaskawa shall not be liable for any damages or troubles resulting from unauthorized modification.

Safety Information

- The following conventions are used to indicate precautions in these instructions.
- Failure to heed these precautions can result in serious or possibly even fatal injury or damage to the products or to related equipment and systems.

WARNING Indicates precautions that, if not heeded, could possibly result in loss of life or serious injury.

CAUTION Indicates precautions that, if not heeded, could result in relatively serious or minor injury, damage to the product, or faulty operation.

In some situations, the precautions indicated could have serious consequences if not heeded.

PROHIBITED Indicates prohibited actions that must not be performed. For example, this symbol would be used to indicate that fire is prohibited as follows:

Usage

CAUTION

- Never use the products in an environment subject to water, corrosive gases, inflammable gases, or combustibles. Failure to observe this caution may result in electric shock or fire.
- Do not step on or place a heavy object on the product. Failure to observe this caution may result in injury.
- Prevent any foreign objects from entering the product. Failure to observe this caution may cause internal elements to deteriorate resulting in malfunction or fire.
- Do not apply any strong impact. Failure to observe this caution may result in malfunction.
- Take appropriate and sufficient countermeasures for each when installing systems in the following locations.
 - Locations subject to electric noise caused by static electricity or other similar sources.
 - Locations subject to strong electromagnetic fields and magnetic fields.
 - Locations subject to possible exposure to radioactivity.
 - Locations close to power supply lines.
 Failure to observe this caution may result in damage to the product.

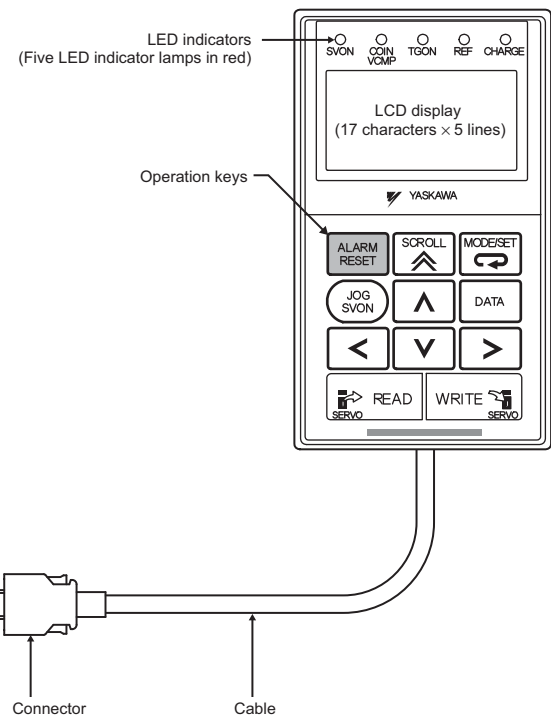
Disposal

- Dispose the products as general industrial waste.

Memo

Before use

Part Names



Notes for Safe Operation

WARNING

- Disassembly or repair must be performed only by authorized personnel. Failure to observe this warning may result in electric shock or injury.
- Do not damage, press, exert excessive force or place heavy objects on the cables. Failure to observe this warning may result in electric shock, stopping operation of the product, or burning.
- Do not modify the product. Failure to observe this warning may result in injury or damage to the product.

Storage and Transportation

CAUTION

- Do not store or install the product in the following places. Failure to observe this caution may result in fire, electric shock, or damage to the product.
 - Locations subject to direct sunlight.
 - Locations subject to temperatures outside the range specified in the storage or installation temperature conditions (-20°C to +85°C).
 - Locations subject to humidity outside the range specified in the storage or installation humidity conditions (90% RH or less).
 - Locations subject to condensation as the result of extreme changes in temperature.
 - Locations subject to corrosive or flammable gases.
 - Locations subject to dust, salts, or iron dust.
 - Locations subject to water, oil, or chemicals.
 - Locations subject to shock or vibration.
- Do not hold the product by the cable or the connector while transporting it. Failure to observe this caution may result in injury or malfunction.
- Do not place any load exceeding the limit specified on the packing box. Failure to observe this caution may result in injury or malfunction.

Warranty Information

Free Warranty Period

This product is warranted for twelve months after being delivered to Yaskawa's customer or if applicable eighteen months from the date of shipment from Yaskawa's factory whichever comes first.

Scope of Warranty

If a Yaskawa product is found to be defective due to Yaskawa workmanship or materials and the defect occurs during the warranty period, Yaskawa will provide a replacement, repair the defective product, and provide shipping to and from the site free of charge.

However, if the Yaskawa Authorized Service Center determines that the problem with a Yaskawa product is not due to defects in Yaskawa's workmanship or materials, then the customer will be responsible for the cost of any necessary repairs.

AC Servo Drives
 Σ Series
SAFETY PRECAUTIONS
 Digital Operator

- IRUMA BUSINESS CENTER (SOLUTION CENTER)**
 480, Kamifujisawa, Iruma, Saitama, 358-8555, Japan
 Phone 81-4-2962-5151 Fax 81-4-2962-6138
<http://www.yaskawa.co.jp>
- YASKAWA AMERICA, INC.**
 2121, Norman Drive South, Waukegan, IL 60085, U.S.A.
 Phone 1-800-YASKAWA (927-5292) or 1-847-887-7000 Fax 1-847-887-7310
<http://www.yaskawa.com>
- YASKAWA ELÉTRICO DO BRASIL LTDA.**
 777, Avenida Pirapóinha, Daedema, São Paulo, 09950-000, Brasil
 Phone 55-11-3585-1100 Fax 55-11-3585-1187
<http://www.yaskawa.com.br>
- YASKAWA EUROPE GmbH**
 185, Hauptstraße, Eschborn, 65760, Germany
 Phone 49-6196-569-300 Fax 49-6196-569-398
<http://www.yaskawa.eu.com>
- YASKAWA ELECTRIC KOREA CORPORATION**
 35F, Three IFC, 10 Gukjegeumyung-ro, Yeongdeungpo-gu, Seoul, 07326, Korea
 Phone 82-2-794-7844 Fax 82-2-794-8495
<http://www.yaskawa.co.kr>
- YASKAWA ELECTRIC (SINGAPORE) PTE. LTD.**
 151, Lorong Chuan, #04-02A, New Tech Park, 556741, Singapore
 Phone 65-6282-3003 Fax 65-6289-3003
<http://www.yaskawa.com.sg>
- YASKAWA ELECTRIC (THAILAND) CO., LTD.**
 59, 1st-5th Floor, Flourish Building, Soi Ratchadapisek 18, Ratchadapisek Road, Huaykwang, Bangkok, 10310, Thailand
 Phone 66-2-017-0099 Fax 66-2-017-0799
<http://www.yaskawa.co.th>
- YASKAWA ELECTRIC (CHINA) CO., LTD.**
 22F, One Corporate Avenue, No.222, Hubin Road, Shanghai, 200021, China
 Phone 86-21-5385-2200 Fax 86-21-5385-3299
<http://www.yaskawa.com.cn>
- YASKAWA ELECTRIC (CHINA) CO., LTD. BEIJING OFFICE**
 Room 1011, Tower W3 Oriental Plaza, No.1, East Chang An Ave., Dong Cheng District, Beijing, 100738, China
 Phone 86-10-8518-4086 Fax 86-10-8518-4082
- YASKAWA ELECTRIC TAIWAN CORPORATION**
 9F, 16, Nanking E. Rd., Sec. 3, Taipei, 104, Taiwan
 Phone 886-2-2502-5003 Fax 886-2-2505-1280

YASKAWA
 YASKAWA ELECTRIC CORPORATION

In the event that the end user of this product is to be the military and said product is to be employed in any weapons systems or the manufacture thereof, the export will fall under the relevant regulations as stipulated in the Foreign Exchange and Foreign Trade Regulations. Therefore, be sure to follow all procedures and submit all relevant documentation according to any and all rules, regulations and laws that may apply. Specifications are subject to change without notice for ongoing product modifications and improvements.
 © 2007-2017 YASKAWA ELECTRIC CORPORATION